

US00D622761S

(12) **United States Design Patent**
Kim et al.

(10) **Patent No.:** **US D622,761 S**
(45) **Date of Patent:** **** Aug. 31, 2010**

(54) **LASER PRINTER**

(75) Inventors: **Kyong-Hwan Kim**, Seoul (KR);
Jun-Won Bae, Seoul (KR); **Yun-Gi Hong**,
Kyunggi-do (KR); **Bong-Uk Lim**,
Kyunggi-do (KR)

(73) Assignee: **Samsung Electronics Co., Ltd.**,
Kyunggi-do (KR)

(**) Term: **14 Years**

(21) Appl. No.: **29/316,300**

(22) Filed: **Sep. 11, 2009**

(51) **LOC (9) Cl.** **14-02**

(52) **U.S. Cl.** **D18/53**

(58) **Field of Classification Search** D18/53,
D18/55, 39, 54, 38; 399/81, 107, 151, 137;
101/131, 287; D14/303, 611-629

See application file for complete search history.

(56) **References Cited**

U.S. PATENT DOCUMENTS

- D201,361 S * 6/1965 Wiener D14/303
- D231,128 S * 4/1974 Case et al. D18/38
- D326,867 S 6/1992 Kwak
- D359,506 S 6/1995 Lee
- D373,786 S * 9/1996 Kondo D18/39
- D375,974 S * 11/1996 Kogoh et al. D18/53
- D377,369 S * 1/1997 Kogoh et al. D18/53
- D378,218 S 2/1997 Hong et al.
- D404,419 S * 1/1999 Kusanagi D18/39
- D424,101 S * 5/2000 Takeuchi D18/53
- D497,942 S * 11/2004 Yoshida et al. D18/53
- D527,045 S 8/2006 Lim et al.
- D530,737 S 10/2006 Lim et al.
- D532,043 S 11/2006 Park et al.
- D536,372 S 2/2007 Lim et al.
- D537,109 S * 2/2007 Mizusugi et al. D18/39
- D551,700 S 9/2007 Park et al.
- D552,170 S 10/2007 Kim et al.
- D555,195 S 11/2007 Park et al.
- D555,722 S 11/2007 Bae et al.

- D556,253 S 11/2007 Hong et al.
- D556,822 S 12/2007 Hong et al.
- D558,261 S 12/2007 Hong et al.
- D558,262 S 12/2007 Hong et al.
- D558,820 S 1/2008 Hong et al.
- D561,248 S 2/2008 Lee et al.
- D561,824 S 2/2008 Park et al.
- D562,378 S 2/2008 Kim et al.
- D573,178 S 7/2008 Lee et al.
- D573,179 S 7/2008 Bae et al.
- D580,483 S 11/2008 Park et al.
- D581,976 S 12/2008 Park et al.
- D584,344 S 1/2009 Lee et al.

(Continued)

OTHER PUBLICATIONS

U.S. Appl. No. 29/307,999, Applicant: Son-Young Lee, et al., filed May 22, 2008 entitled Laser Printer.

(Continued)

Primary Examiner—Charles A Rademaker
(74) *Attorney, Agent, or Firm*—Flynn, Thiel, Boutell & Tanis, P.C.

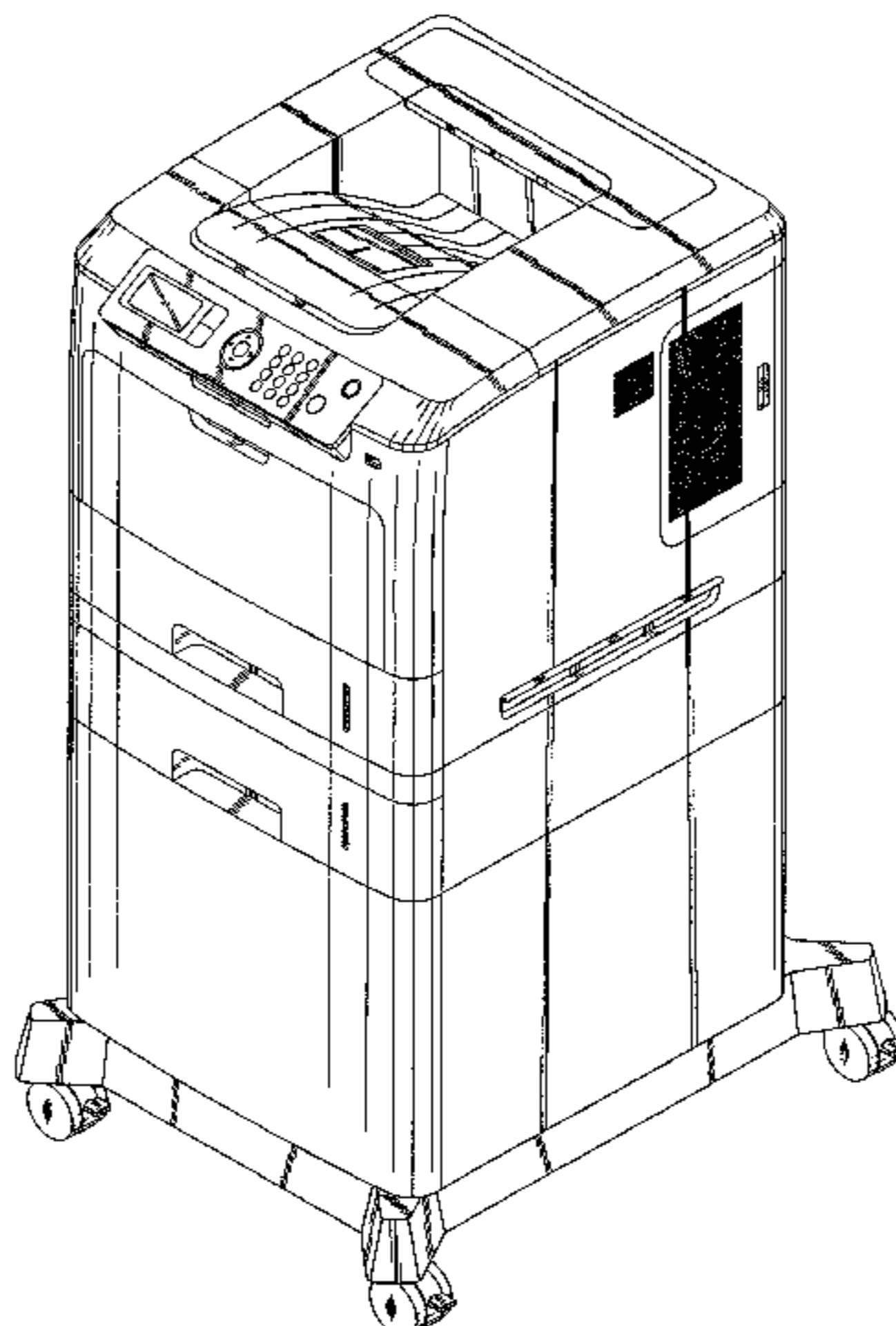
(57) **CLAIM**

The ornamental design for a laser printer, as shown and described.

DESCRIPTION

FIG. 1 is a top front perspective view of a laser printer showing our new design;
FIG. 2 is a front elevational view thereof;
FIG. 3 is a rear elevational view thereof;
FIG. 4 is a left side elevational view thereof;
FIG. 5 is a right side elevational view thereof;
FIG. 6 is a top plan view thereof; and,
FIG. 7 is a bottom plan view thereof.

1 Claim, 7 Drawing Sheets



U.S. PATENT DOCUMENTS

D584,347 S 1/2009 Hong et al.
D584,348 S 1/2009 Boo et al.
D586,385 S 2/2009 Kim et al.
D593,149 S 5/2009 Park et al.
D601,185 S 9/2009 Kim et al.
D601,186 S 9/2009 Kim et al.

OTHER PUBLICATIONS

U.S. Appl. No. 29/308,001, Applicant: Kyong-Hwan Kim, et al., filed May 22, 2008 entitled Color Laser Printer.
U.S. Appl. No. 29/308,018, Applicant: Kyong-Hwan Kim, et al., filed May 22, 2008 entitled Laser Printer.
U.S. Appl. No. 29/308,000, Applicant: Kyong-Hwan Kim, et al., filed May 22, 2008 entitled Laser Printer.
U.S. Appl. No. 29/310,435, Applicant: Jasper Morrison, et al., filed Aug. 15, 2008 entitled Color Laser Printer.

U.S. Appl. No. 29/313,583, Applicant: Jong-Kyu Kim, et al., filed Jan. 23, 2009 entitled Copy Machine Attached by Function of Scanner and Printer.
U.S. Appl. No. 29/313,861, Applicant: Hee-Yul Kim, filed Feb. 17, 2009 entitled Copy Machine Attached by Function of Scanner and Printer.
U.S. Appl. No. 29/314,206, Applicant: Ji-Sang Park, et al., filed Mar. 13, 2009 entitled Laser Printer.
U.S. Appl. No. 29/314,647, Applicant: Ji-Sang Park, et al., filed Apr. 15, 2009 entitled Laser Complex.
U.S. Appl. No. 29/314,642, Applicant: Ji-Sang Park, et al., filed Apr. 15, 2009 entitled Laser Printer.
U.S. Appl. No. 29/315,577, Applicant: Hoon-Tae Kim, et al., filed Jul. 7, 2009 entitled Printer.
U.S. Appl. No. 29/316,030, Applicant: Ji-Sang Park, et al., filed Aug. 17, 2009 entitled Laser Complex.
U.S. Appl. No. 29/316,032, Applicant: Ji-Sang Park, et al., filed Aug. 17, 2009 entitled Laser Complex.

* cited by examiner

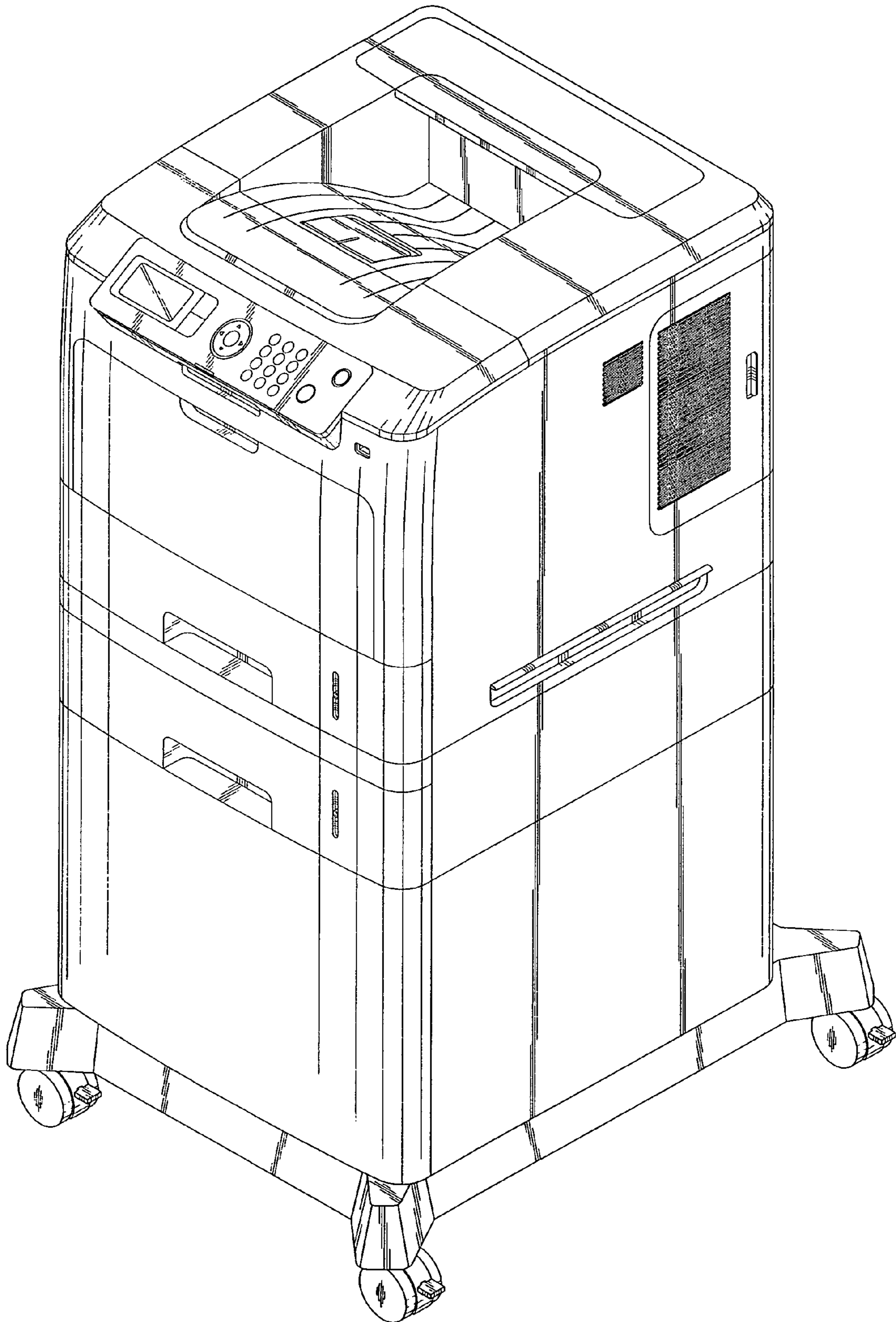


FIG. 1

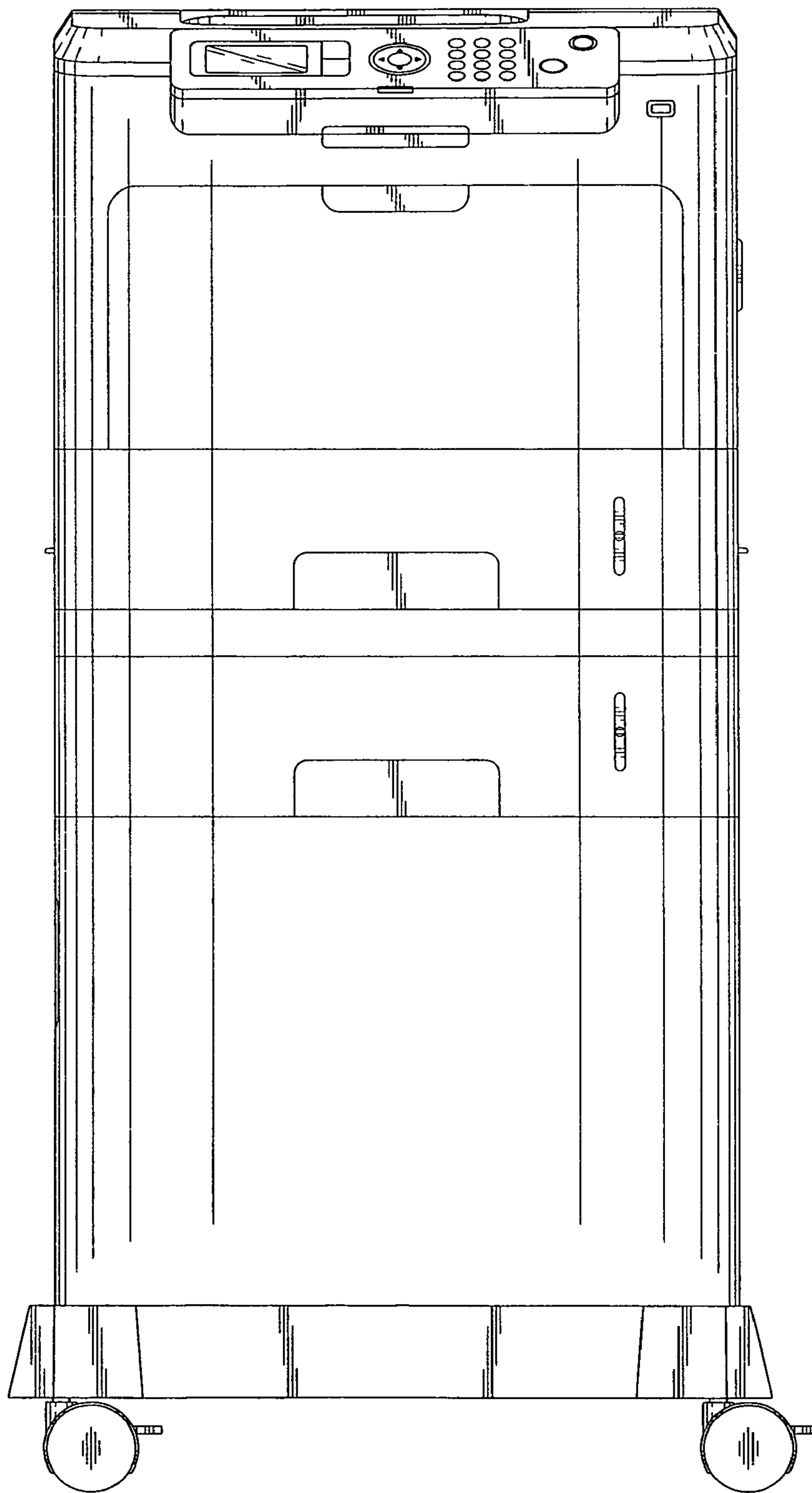


FIG. 2

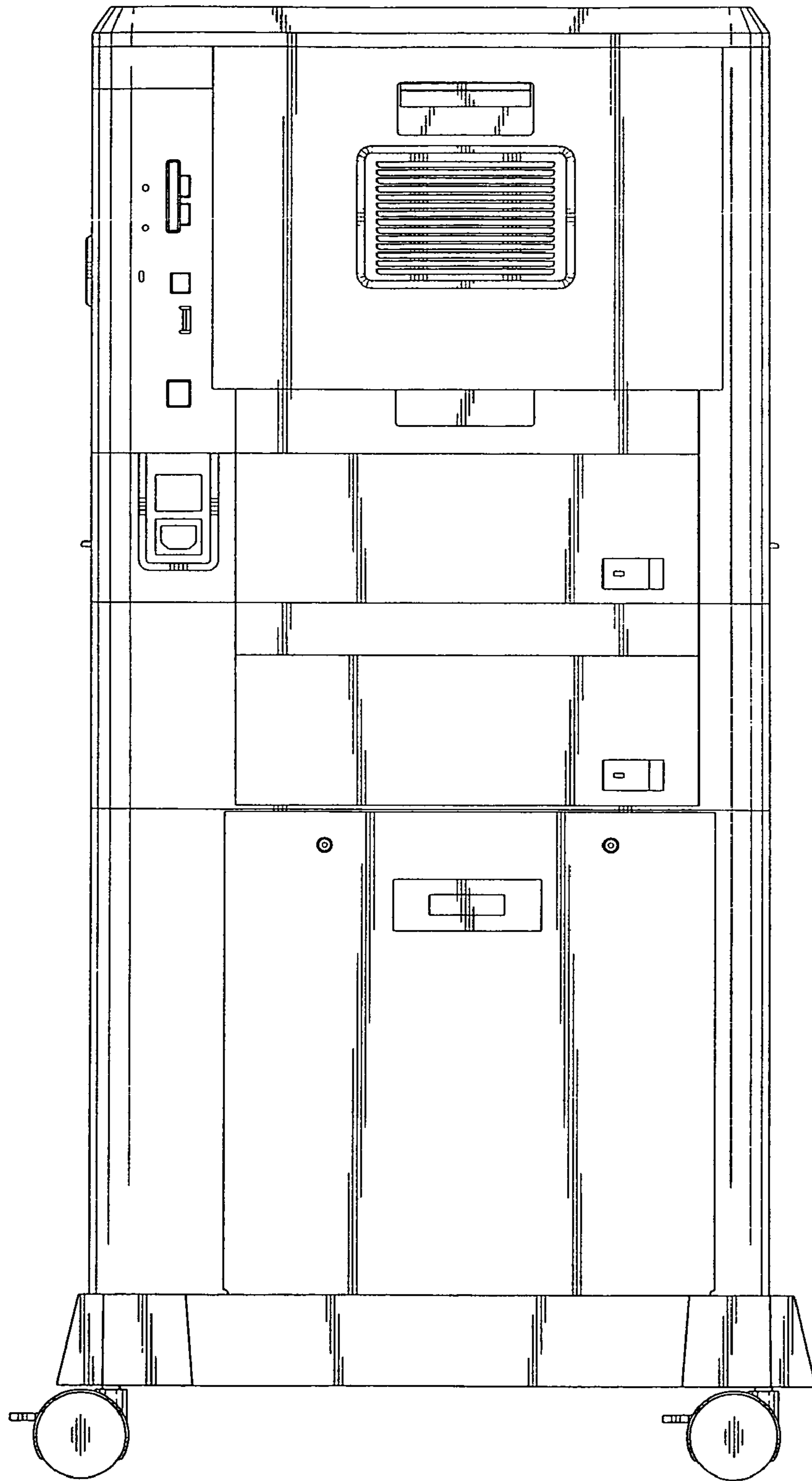


FIG. 3

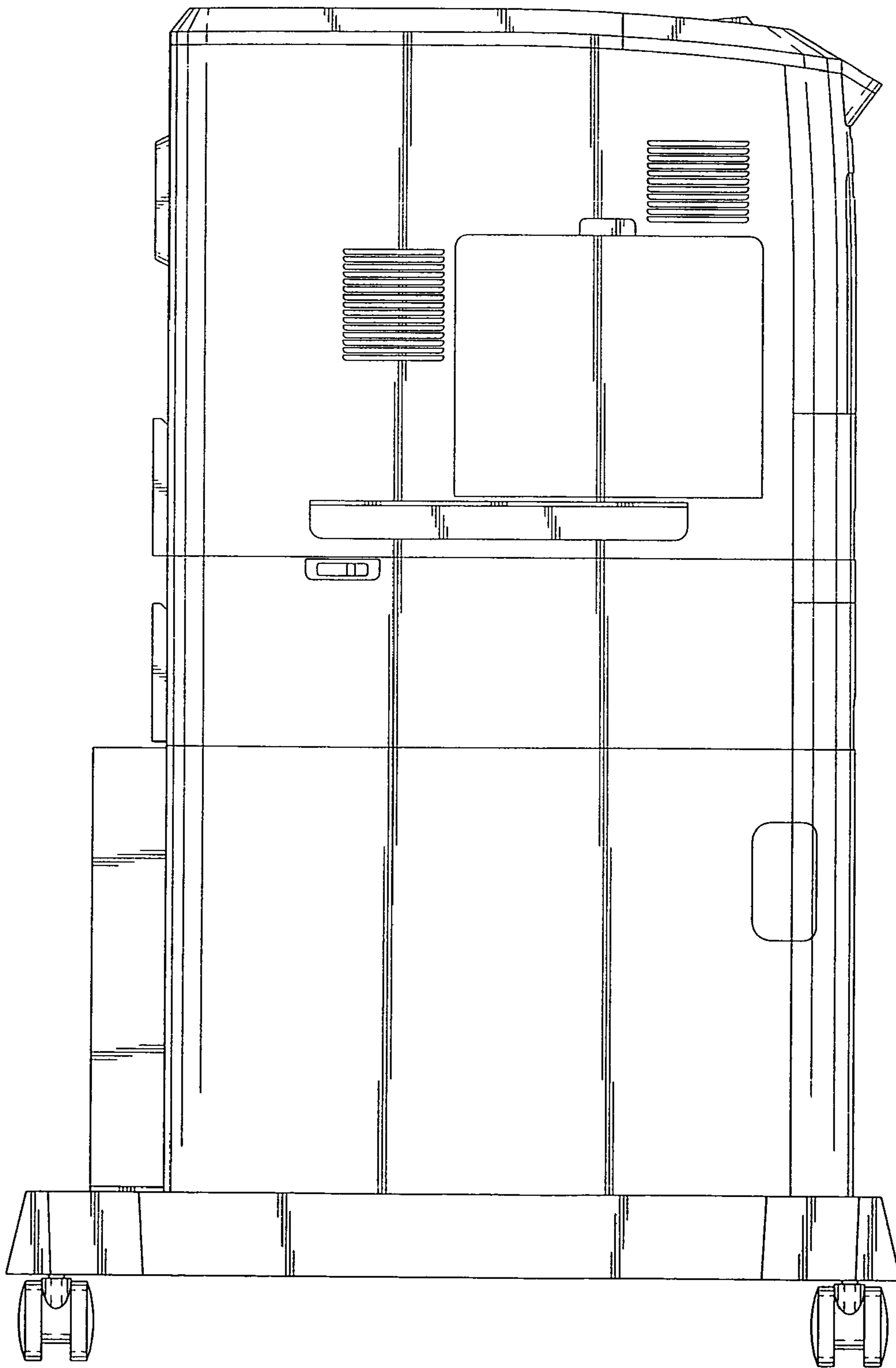


FIG. 4

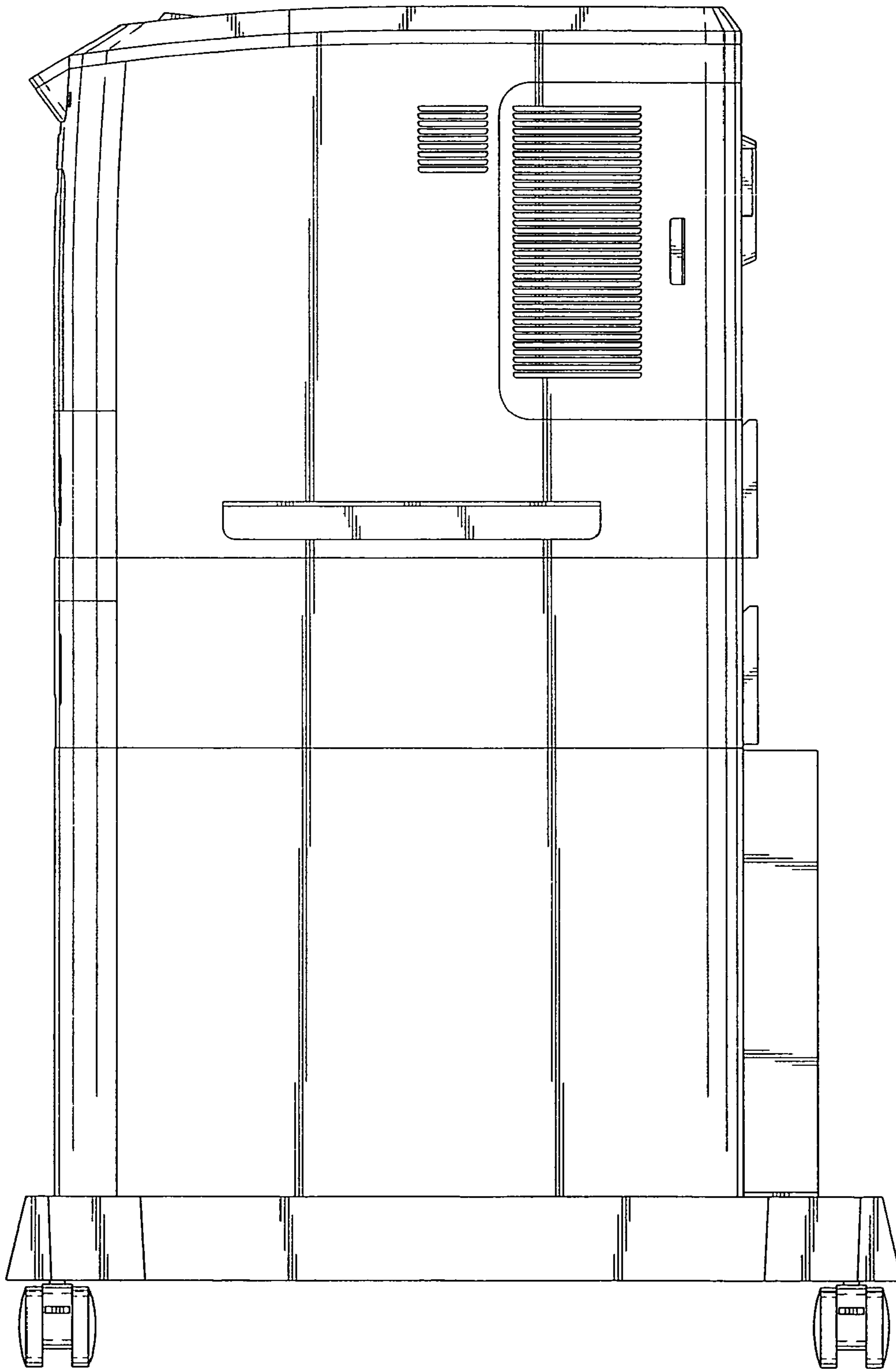


FIG. 5

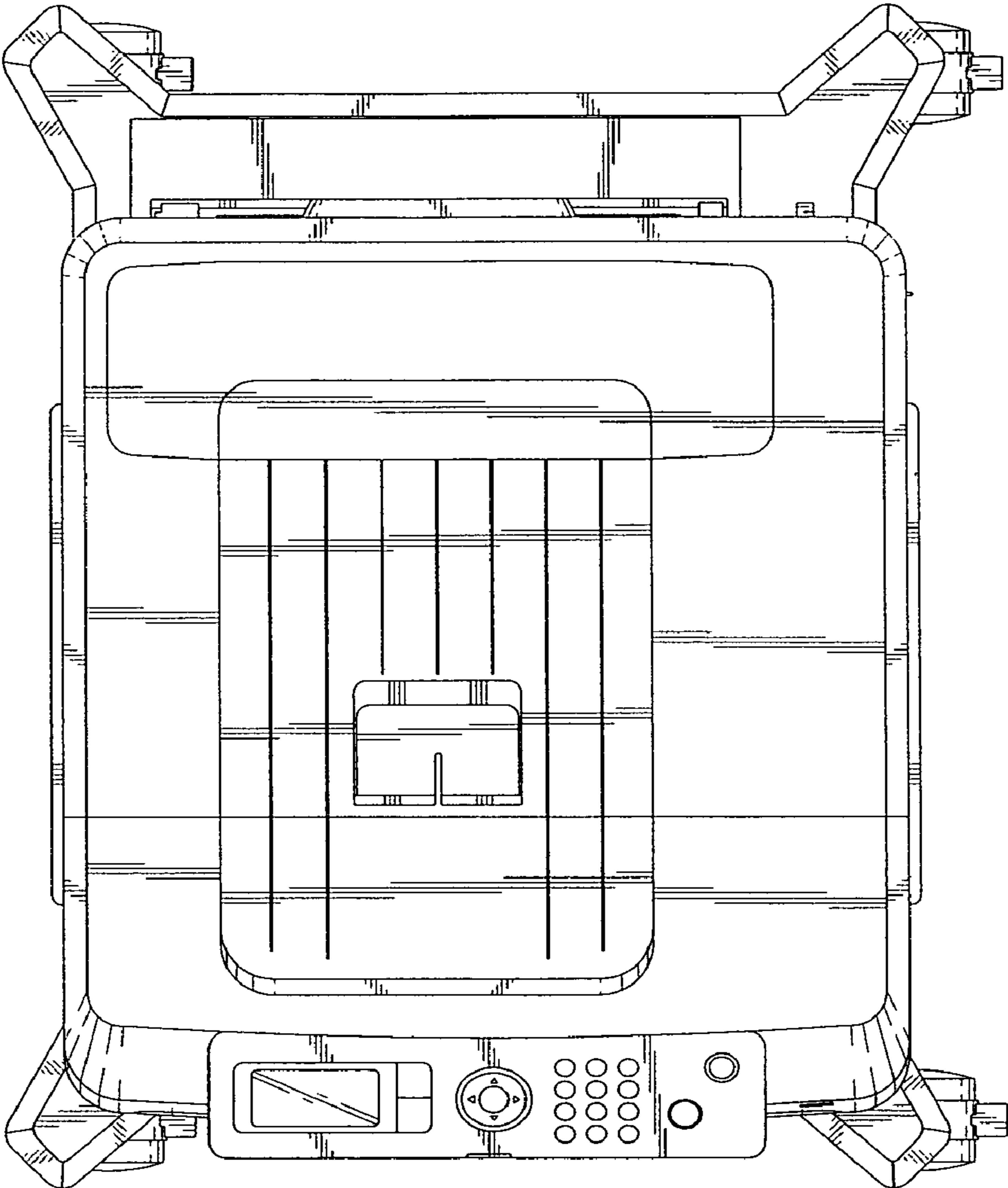


FIG. 6

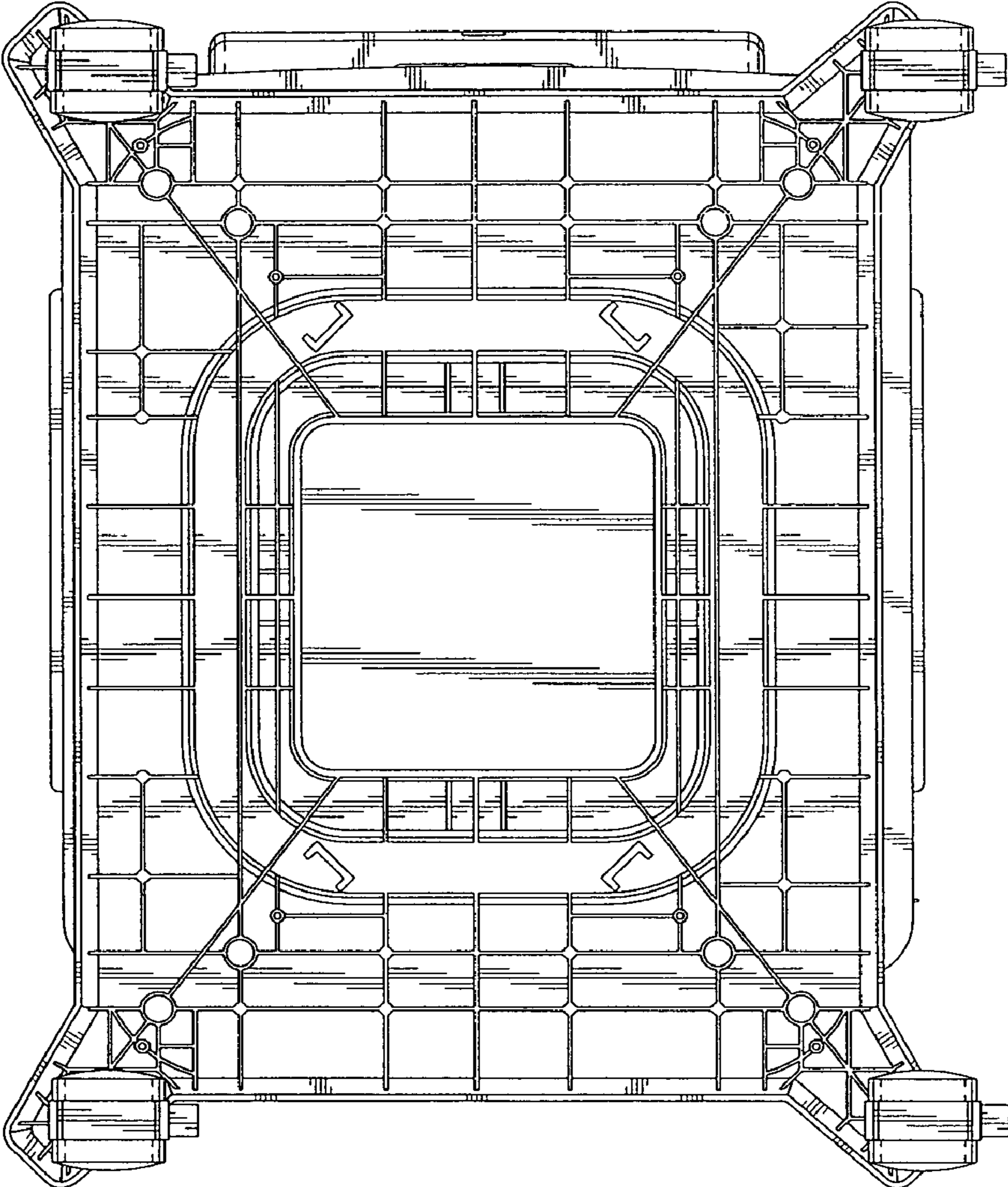


FIG. 7