



US00D622760S

(12) **United States Design Patent**  
**Kimura et al.**

(10) **Patent No.:** **US D622,760 S**

(45) **Date of Patent:** **\*\* Aug. 31, 2010**

(54) **PRINTER**

(75) Inventors: **Seiji Kimura**, Shiojiri (JP); **Kanako Nakatani**, Matsumoto (JP); **Yoshiki Kinoshita**, Suwa (JP)

(73) Assignee: **Seiko Epson Corporation** (JP)

(\*\*) Term: **14 Years**

(21) Appl. No.: **29/308,154**

(22) Filed: **May 30, 2008**

(30) **Foreign Application Priority Data**

Mar. 19, 2008 (JP) ..... 2008-006781

(51) **LOC (9) Cl.** ..... **14-02**

(52) **U.S. Cl.** ..... **D18/50**

(58) **Field of Classification Search** ..... D18/36-37,  
D18/50, 54, 54.1, 55, 19; D14/420-425,  
D14/463-470; 400/613, 613.1-613.4, 690.1-690.4,  
400/691-694

See application file for complete search history.

(56) **References Cited**

**U.S. PATENT DOCUMENTS**

D271,202 S \* 11/1983 Endt ..... D14/368  
D286,050 S \* 10/1986 Roots et al. .... D14/368  
D299,435 S \* 1/1989 Kuwa et al. .... D18/55  
D315,905 S \* 4/1991 Ito et al. .... D18/50  
D362,673 S \* 9/1995 Yamamoto ..... D18/19  
D399,864 S \* 10/1998 Gotham ..... D14/420

D413,351 S \* 8/1999 Escobedo et al. .... D18/50  
6,068,420 A \* 5/2000 Austin et al. .... 400/693  
D518,095 S \* 3/2006 Suzuki et al. .... D18/55  
D522,047 S \* 5/2006 Ko et al. .... D18/55  
D529,950 S \* 10/2006 Katayama et al. .... D18/50  
D536,373 S \* 2/2007 Inoue et al. .... D18/55  
D579,972 S \* 11/2008 Meda et al. .... D18/50

\* cited by examiner

*Primary Examiner*—Cathy Anne MacCormac

(74) *Attorney, Agent, or Firm*—Harness, Dickey & Pierce, P.L.C.

(57) **CLAIM**

The ornamental design for a printer, as shown and described.

**DESCRIPTION**

FIG. 1 is a perspective view of a printer, as viewed from the top, front and right side, embodying our new design;

FIG. 2 is a perspective view thereof, as viewed from the top, rear and right side;

FIG. 3 is a front view thereof;

FIG. 4 is a rear view thereof;

FIG. 5 is a left side view thereof;

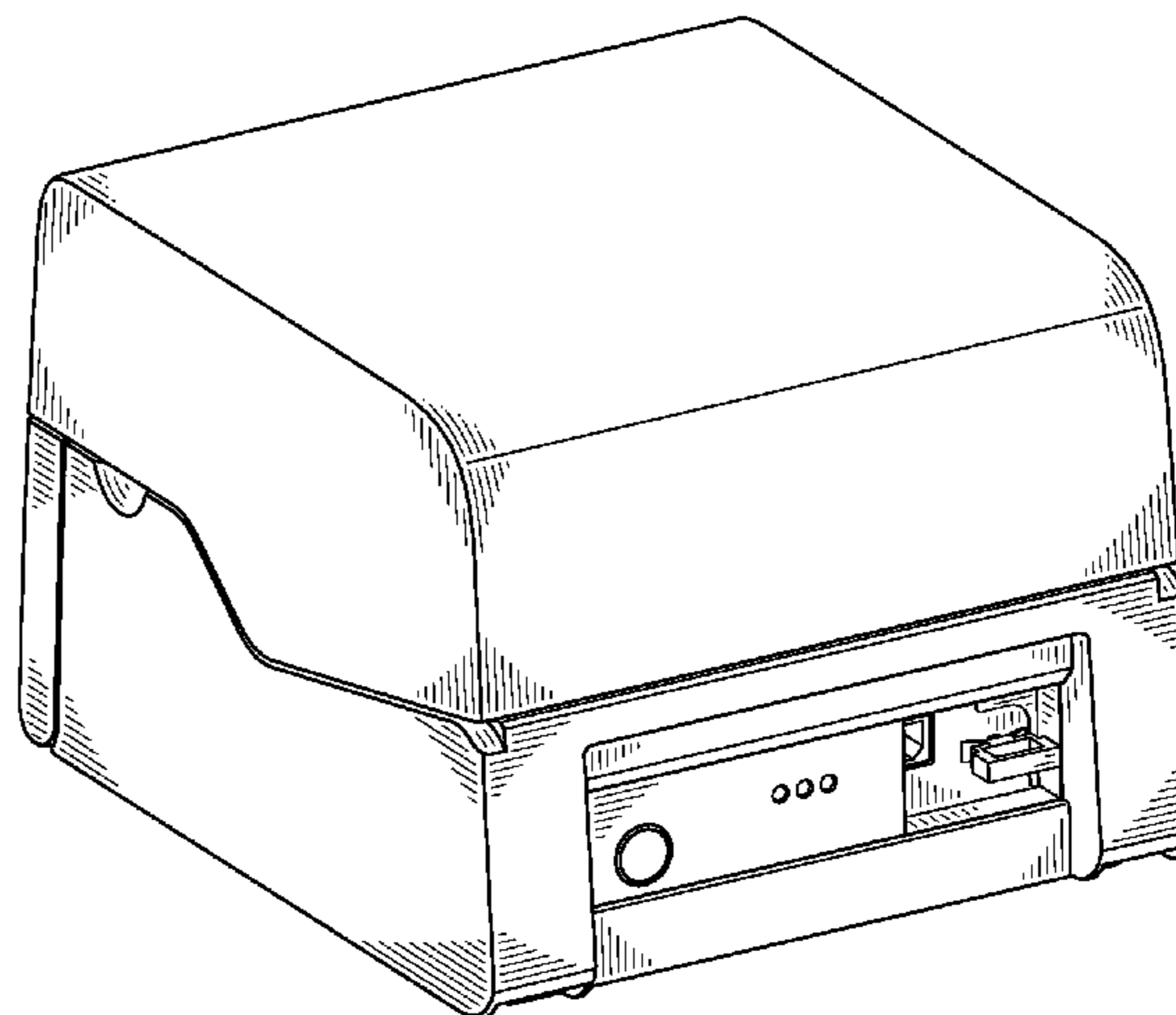
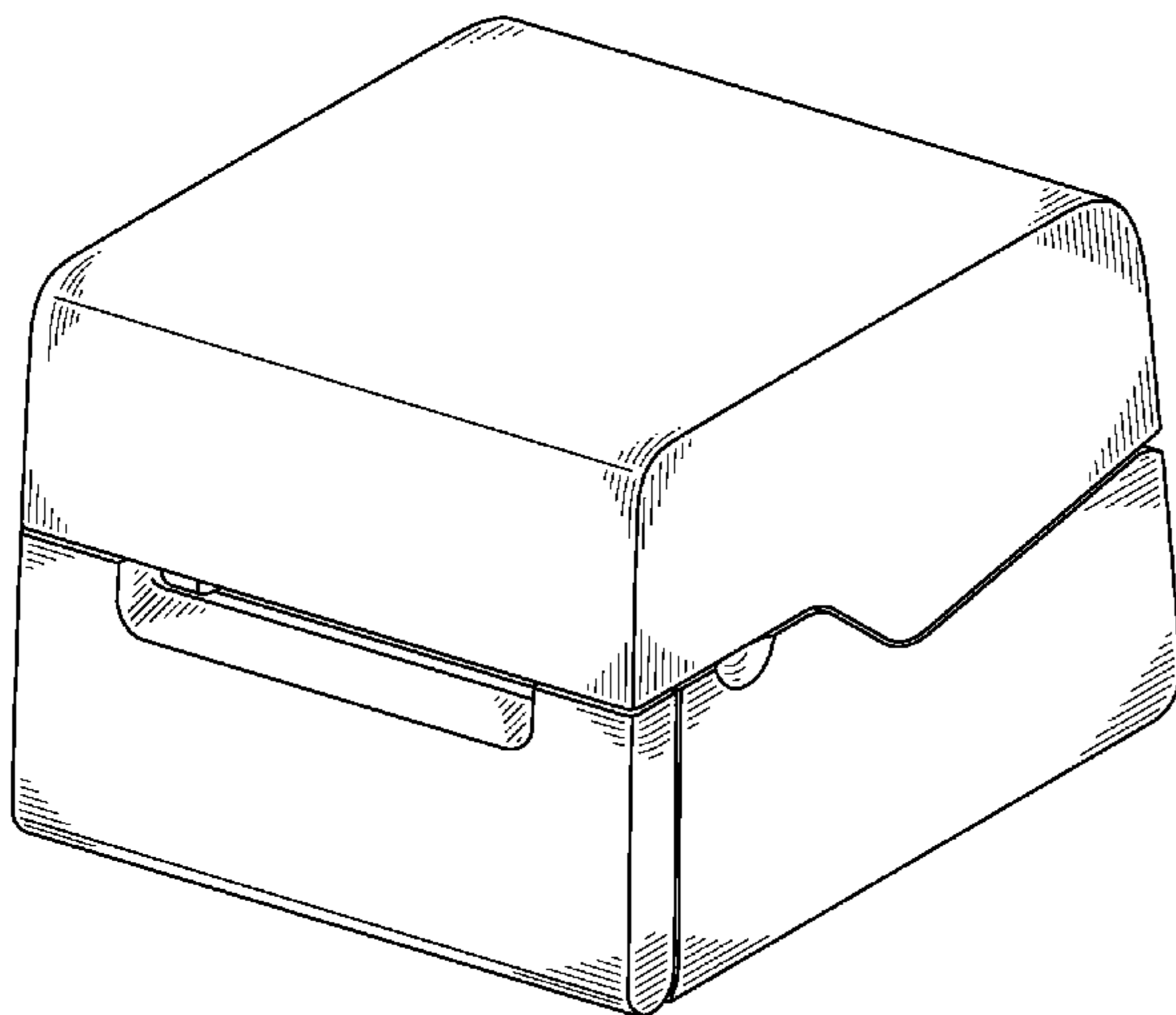
FIG. 6 is a right side view thereof;

FIG. 7 is a top view thereof; and,

FIG. 8 is a bottom view thereof.

The broken lines are for purposes of illustration only and form no part of the claimed design.

**1 Claim, 4 Drawing Sheets**



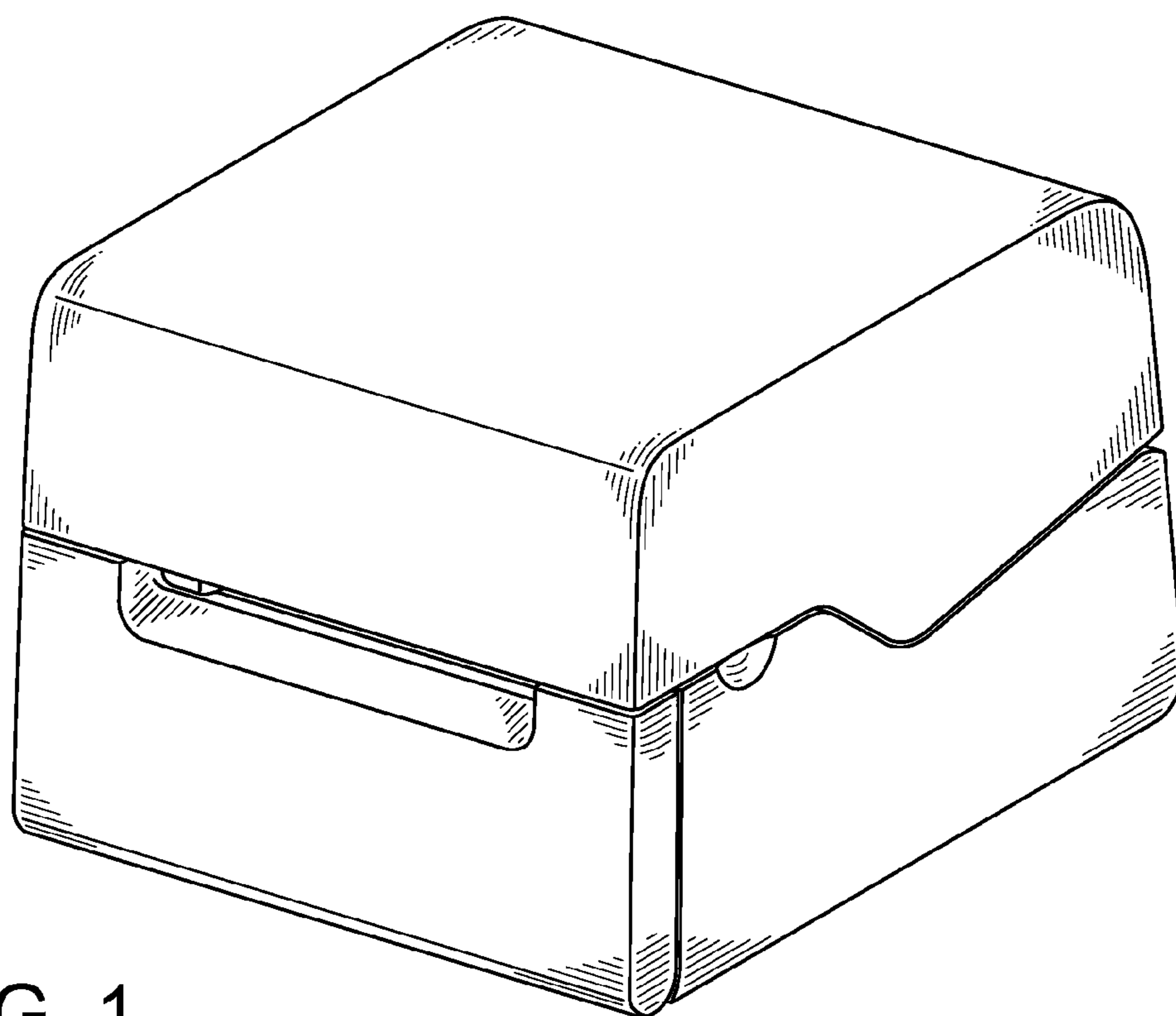


FIG. 1

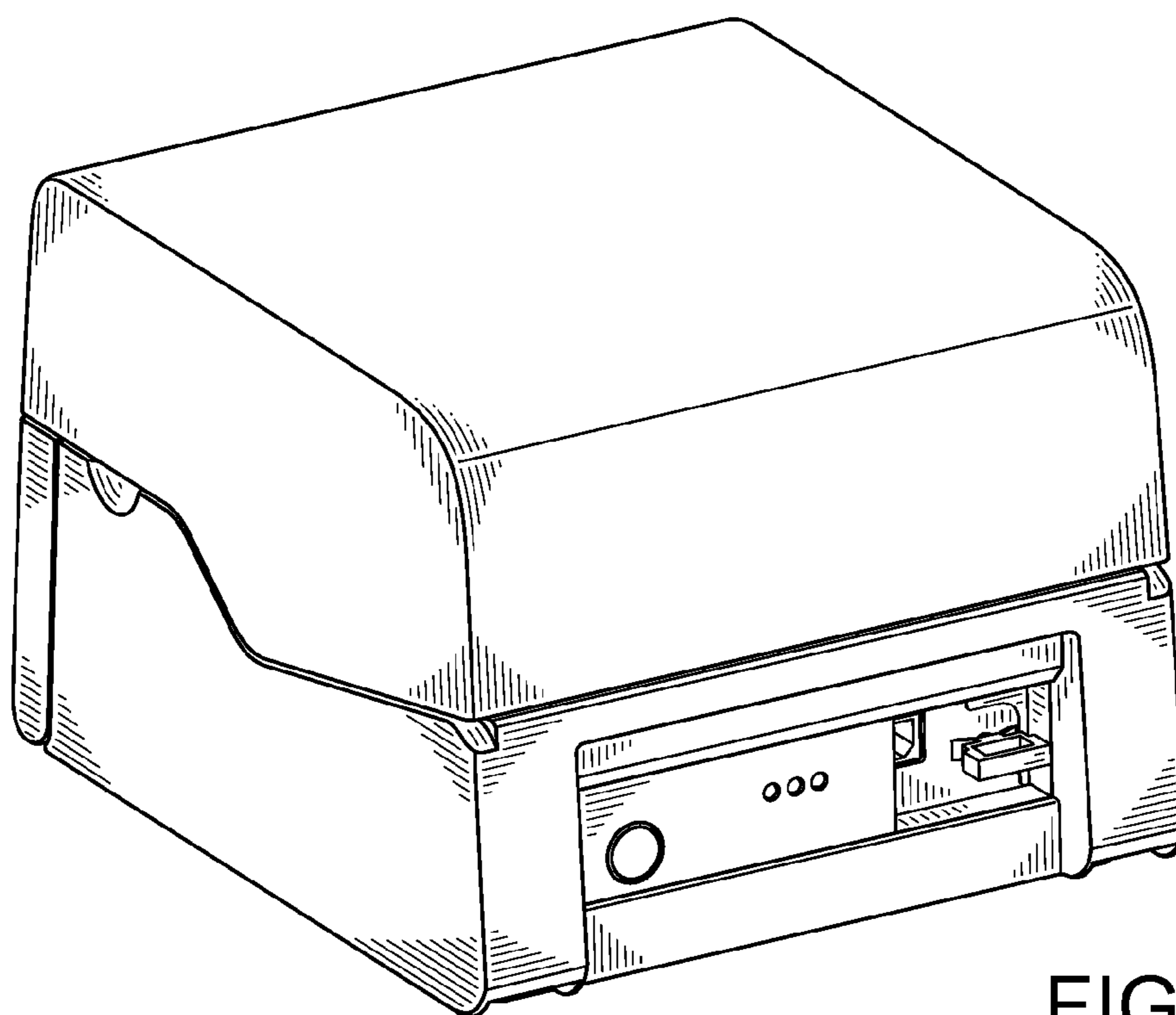


FIG. 2

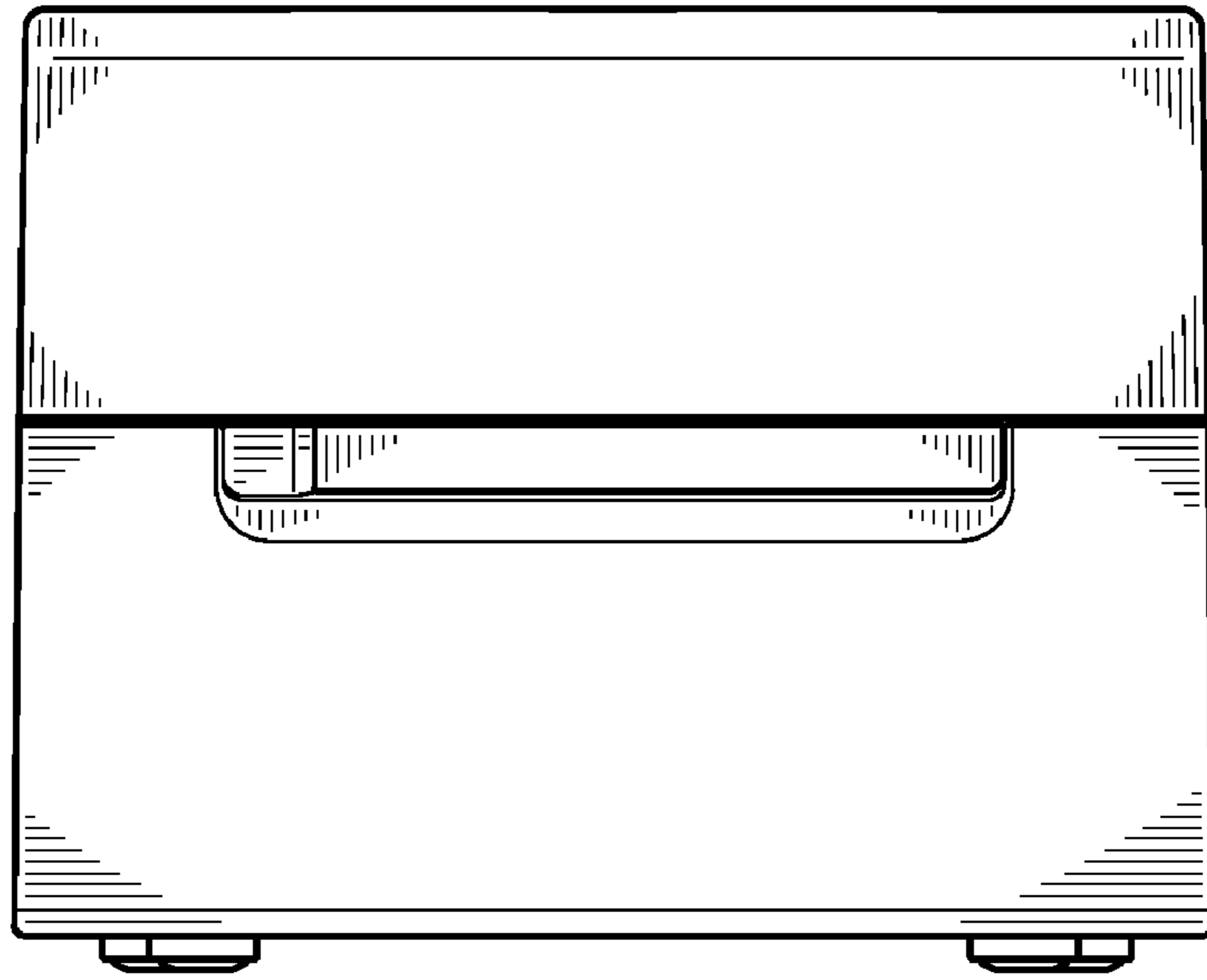


FIG. 3

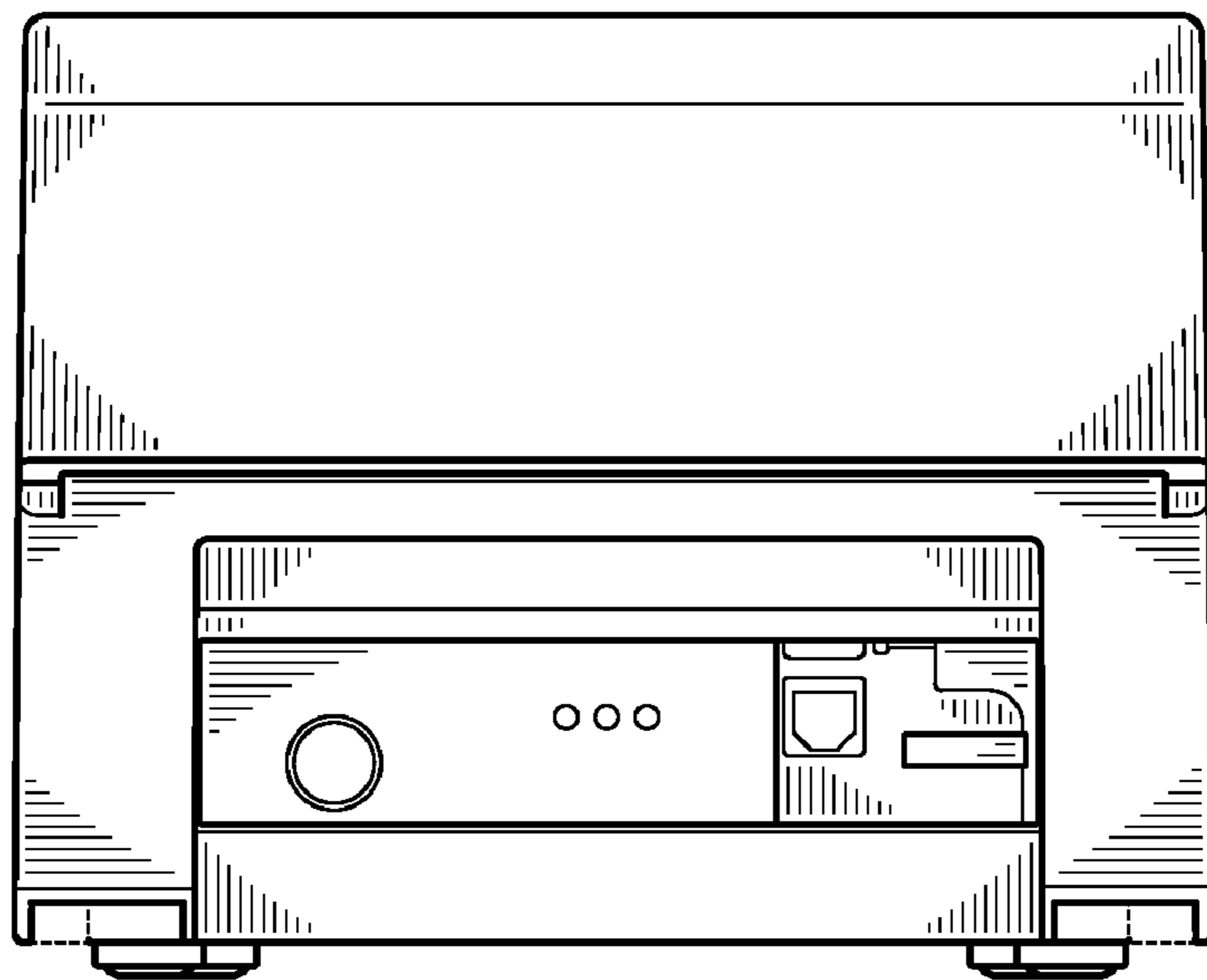


FIG. 4

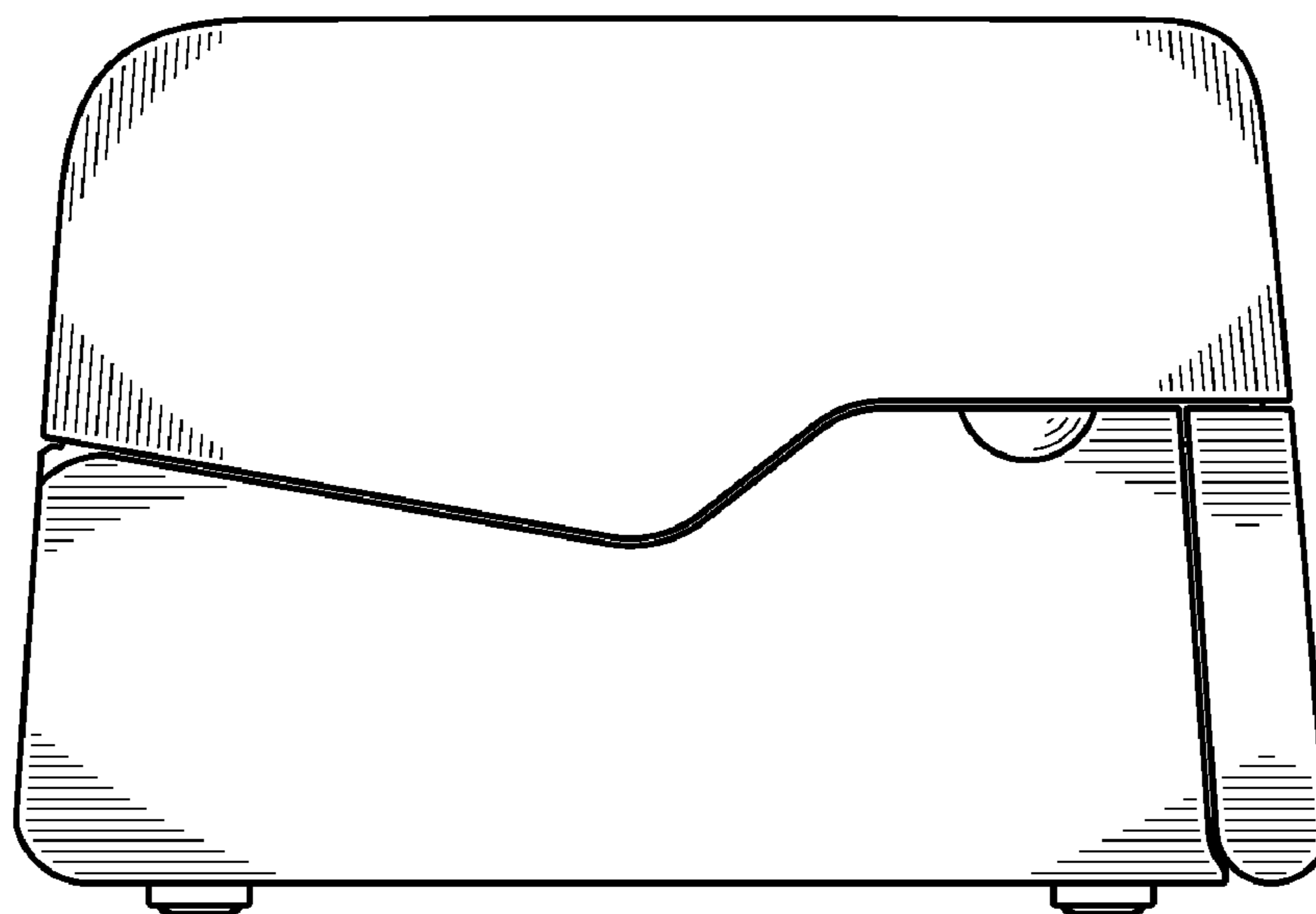


FIG. 5

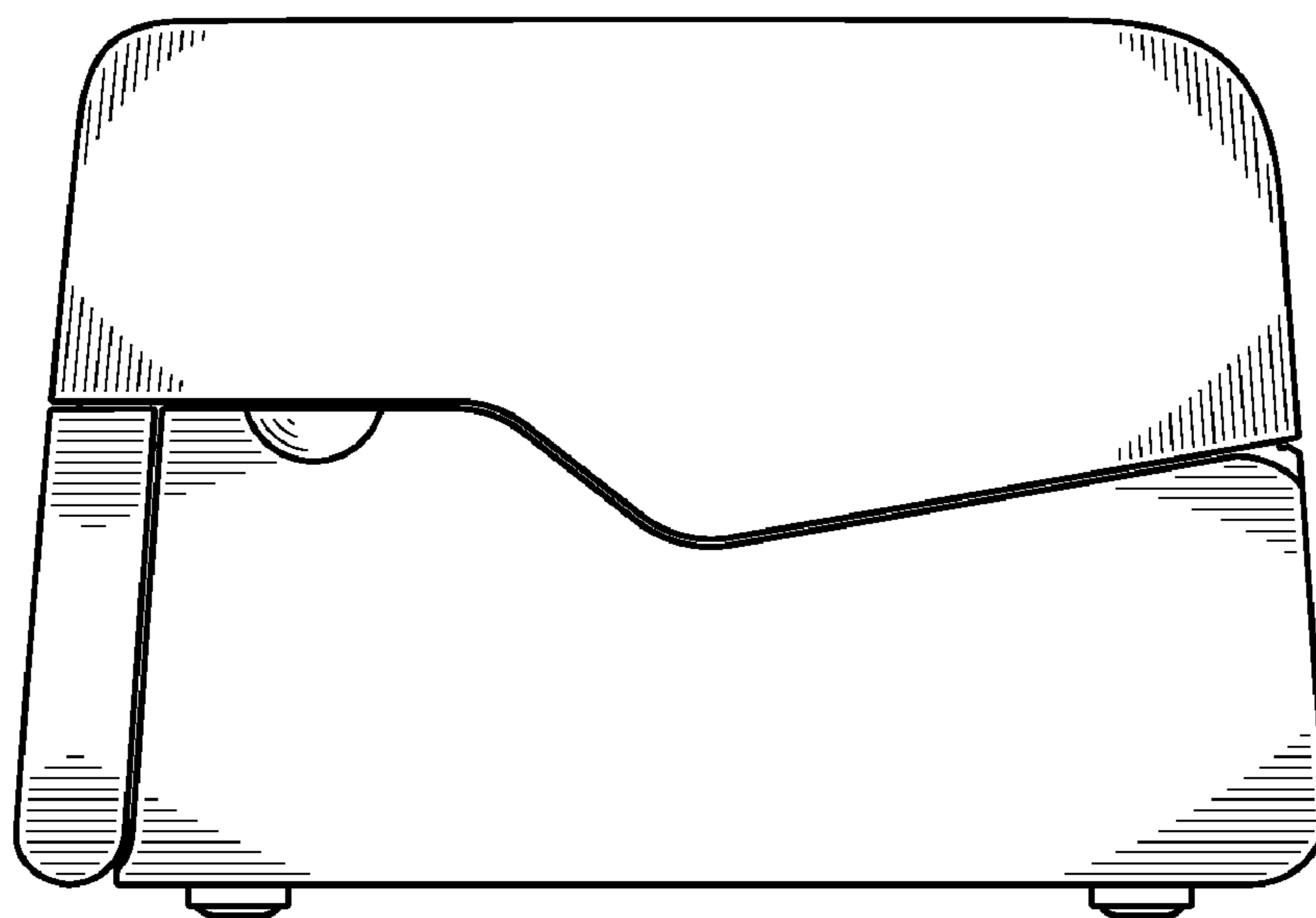


FIG. 6

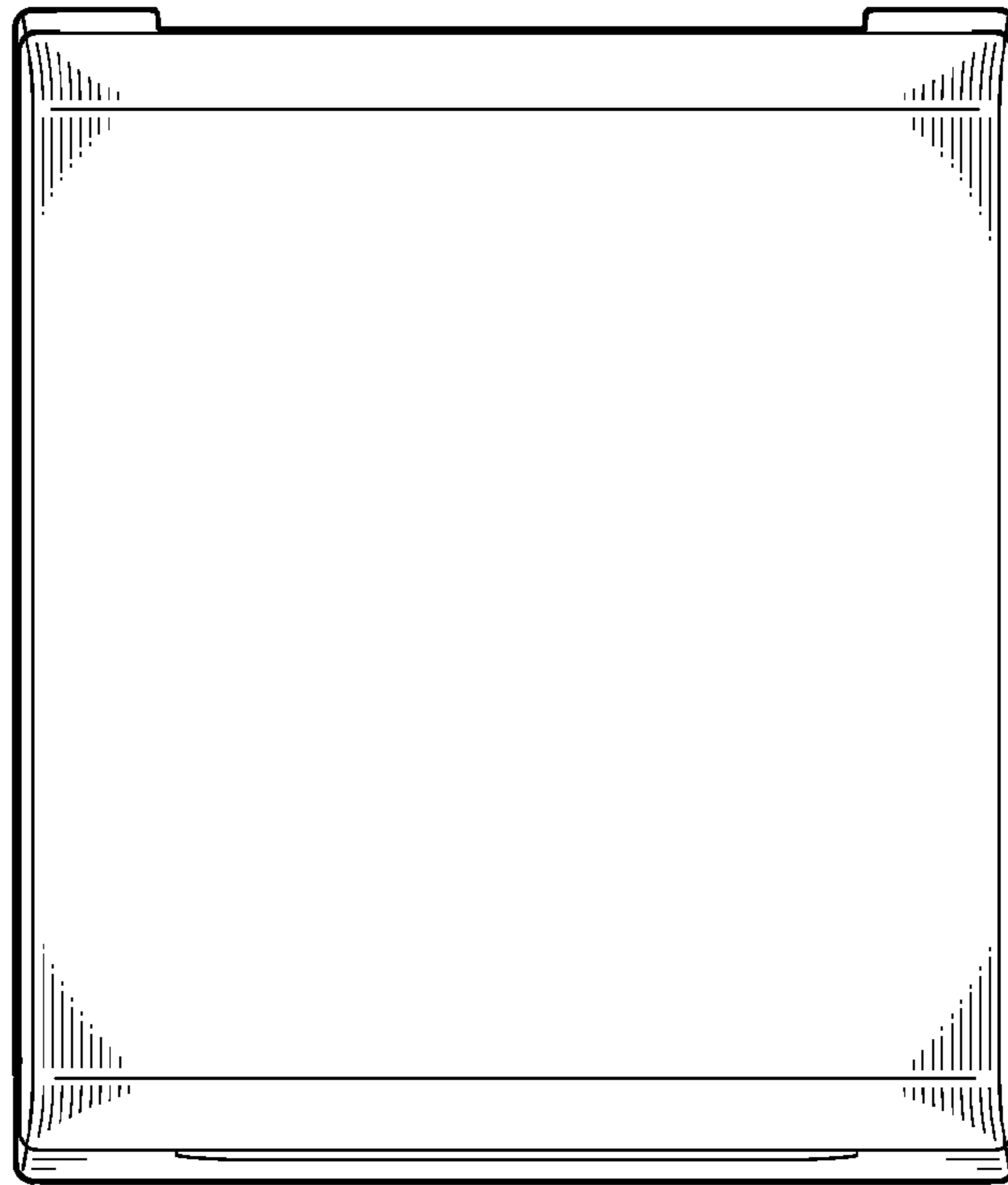


FIG. 7

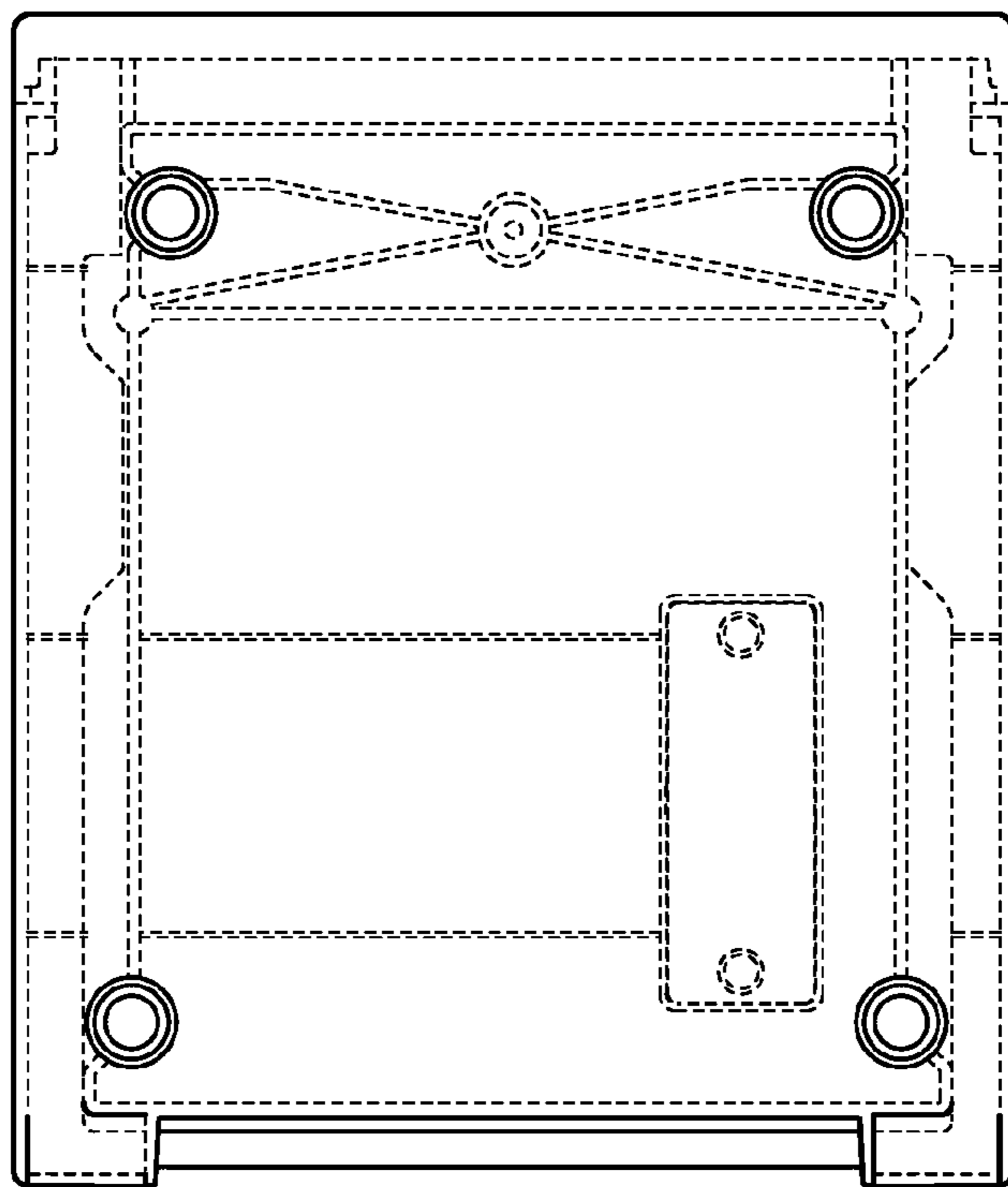


FIG. 8