

US00D622759S

(12) **United States Design Patent**
Yoshida et al.

(10) **Patent No.:** **US D622,759 S**
(45) **Date of Patent:** **** Aug. 31, 2010**

(54) **TONER CARTRIDGE**

2009/0087214 A1 4/2009 Utsunomiya et al.

(75) Inventors: **Satoru Yoshida**, Tokyo (JP); **Kunihiro Ohyama**, Kanagawa (JP); **Hiroko Suzuki**, Kanagawa (JP)

FOREIGN PATENT DOCUMENTS

(73) Assignee: **Ricoh Company, Ltd.**, Tokyo (JP)

(**) Term: **14 Years**

(21) Appl. No.: **29/333,906**

(22) Filed: **Mar. 17, 2009**

(30) **Foreign Application Priority Data**

Sep. 17, 2008 (JP) 2008-023786

JP	2002-139908 A	5/2002
JP	2003-162151 A	6/2003
JP	2003-337476 A	11/2003
JP	2004-240338 A	8/2004
JP	2004-361912 A	12/2004
JP	2005-91854 A	4/2005
JP	2006-47518 A	2/2006
JP	2006-98601 A	4/2006
JP	2006-98882 A	4/2006
JP	2006-113419 A	4/2006
JP	2006-146013 A	6/2006
JP	2006-201528 A	8/2006
JP	2006-221132 A	8/2006

(51) **LOC (9) Cl.** **16-03**

(52) **U.S. Cl.** **D18/43**

(58) **Field of Classification Search** D14/462,
D14/471, 474, 475; D18/12, 36, 40, 43,
D18/44, 56; 222/DIG. 1; 347/197, 214,
347/222; 399/24-27, 107-112, 119, 121,
399/122, 222-224

See application file for complete search history.

(56) **References Cited**

U.S. PATENT DOCUMENTS

6,185,401 B1 *	2/2001	Kanamori et al.	399/119
6,256,470 B1 *	7/2001	Taniyama et al.	222/DIG. 1
D472,572 S *	4/2003	Kaiho	D18/43
D500,076 S *	12/2004	Takuwa	D18/43
D532,037 S *	11/2006	Tsuda et al.	D18/43
D599,845 S *	9/2009	Kurenuma et al.	D18/43
D602,985 S *	10/2009	Yoshizawa	D18/43
2003/0133722 A1 *	7/2003	Kaiho	399/27
2005/0129420 A1 *	6/2005	Mimura	399/27
2007/0160392 A1	7/2007	Tsuda et al.	
2008/0025761 A1	1/2008	Yoshida	
2008/0038021 A1	2/2008	Tsuda et al.	
2008/0085138 A1	4/2008	Yoshida	
2008/0253804 A1 *	10/2008	Furuta et al.	399/119
2008/0260432 A1 *	10/2008	Ohyama et al.	399/258
2008/0267668 A1	10/2008	Sakata et al.	
2009/0080943 A1	3/2009	Kato et al.	

(Continued)

Primary Examiner—Caron Veynar
Assistant Examiner—Garth Rademaker
(74) *Attorney, Agent, or Firm*—Dickstein Shapiro LLP

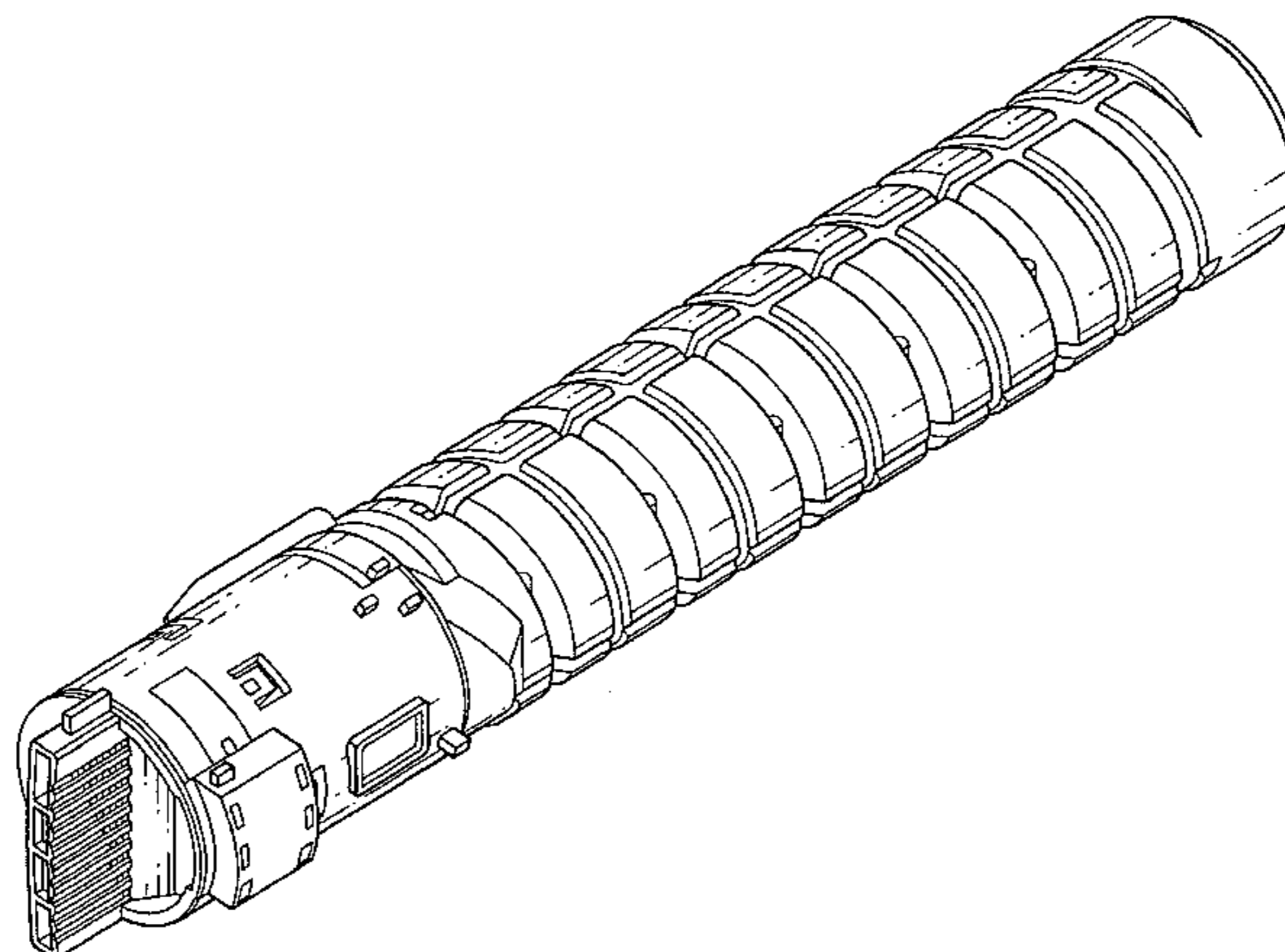
(57) **CLAIM**

The ornamental design for a toner cartridge, as shown and described.

DESCRIPTION

FIG. 1 is a front elevation view of a toner cartridge according to the present invention;
FIG. 2 is a rear elevation view thereof;
FIG. 3 is a right side elevation view thereof;
FIG. 4 is a left side elevation view thereof;
FIG. 5 is a top plan view thereof;
FIG. 6 is a bottom plan view thereof; and,
FIG. 7 is a top, front and left side perspective view thereof.
The broken lines show environmental subject matter and form no part of the claimed design.

1 Claim, 4 Drawing Sheets



US D622,759 S

Page 2

FOREIGN PATENT DOCUMENTS					
			JP	2008-275804 A	11/2008
			JP	2008-287214 A	11/2008
			JP	2008-292972 A	12/2008
			JP	2008-299229 A	12/2008
			JP	2009-9022 A	1/2009
			JP	2009-9023 A	1/2009
			JP	2009-15235 A	1/2009
			JP	2009-25724 A	2/2009
			JP	2009-37085 A	2/2009
			JP	2009-80190 A	4/2009
			JP	2009-86219 A	4/2009
			JP	2009-86220 A	4/2009
			JP	2009-92874 A	4/2009
			JP	2009-186554 A	8/2009
			JP	2009-186621 A	8/2009
			JP	2009-211038 A	9/2009
			* cited by examiner		
JP	2007-11086 A	1/2007			
JP	2007-41209 A	2/2007			
JP	2007-127944 A	5/2007			
JP	2007-171410 A	7/2007			
JP	2007-183340 A	7/2007			
JP	2007-193289 A	8/2007			
JP	2007-292931 A	11/2007			
JP	2007-304496 A	11/2007			
JP	2007-334170 A	12/2007			
JP	2008-15112 A	1/2008			
JP	2008-33089 A	2/2008			
JP	2008-46240 A	2/2008			
JP	2008-90171 A	4/2008			
JP	2008-90188 A	4/2008			
JP	2008-129128 A	6/2008			
JP	2008-262016 A	10/2008			

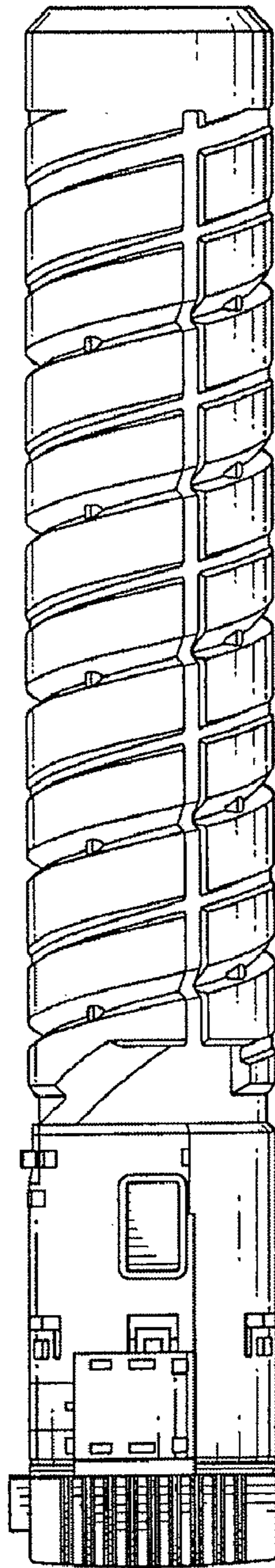


FIG. 1

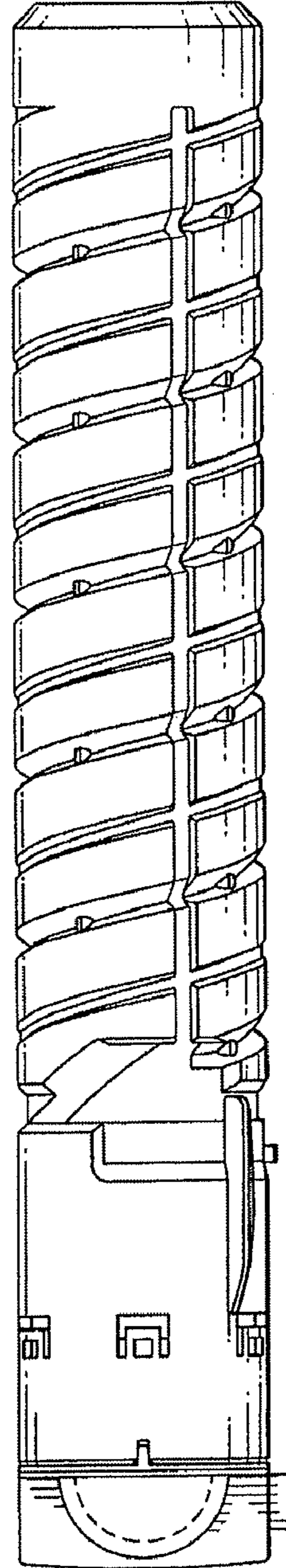


FIG. 2

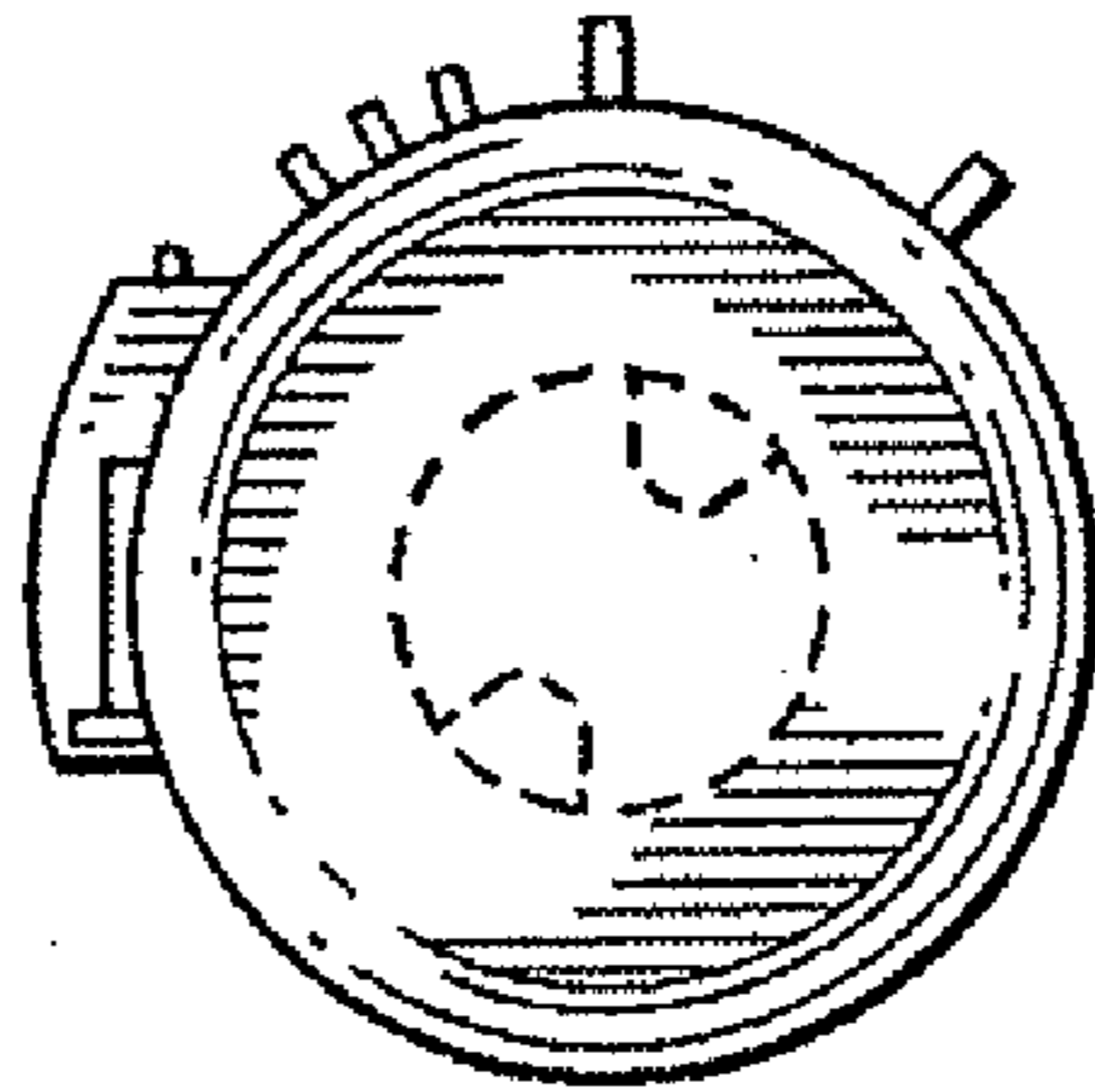


FIG. 3

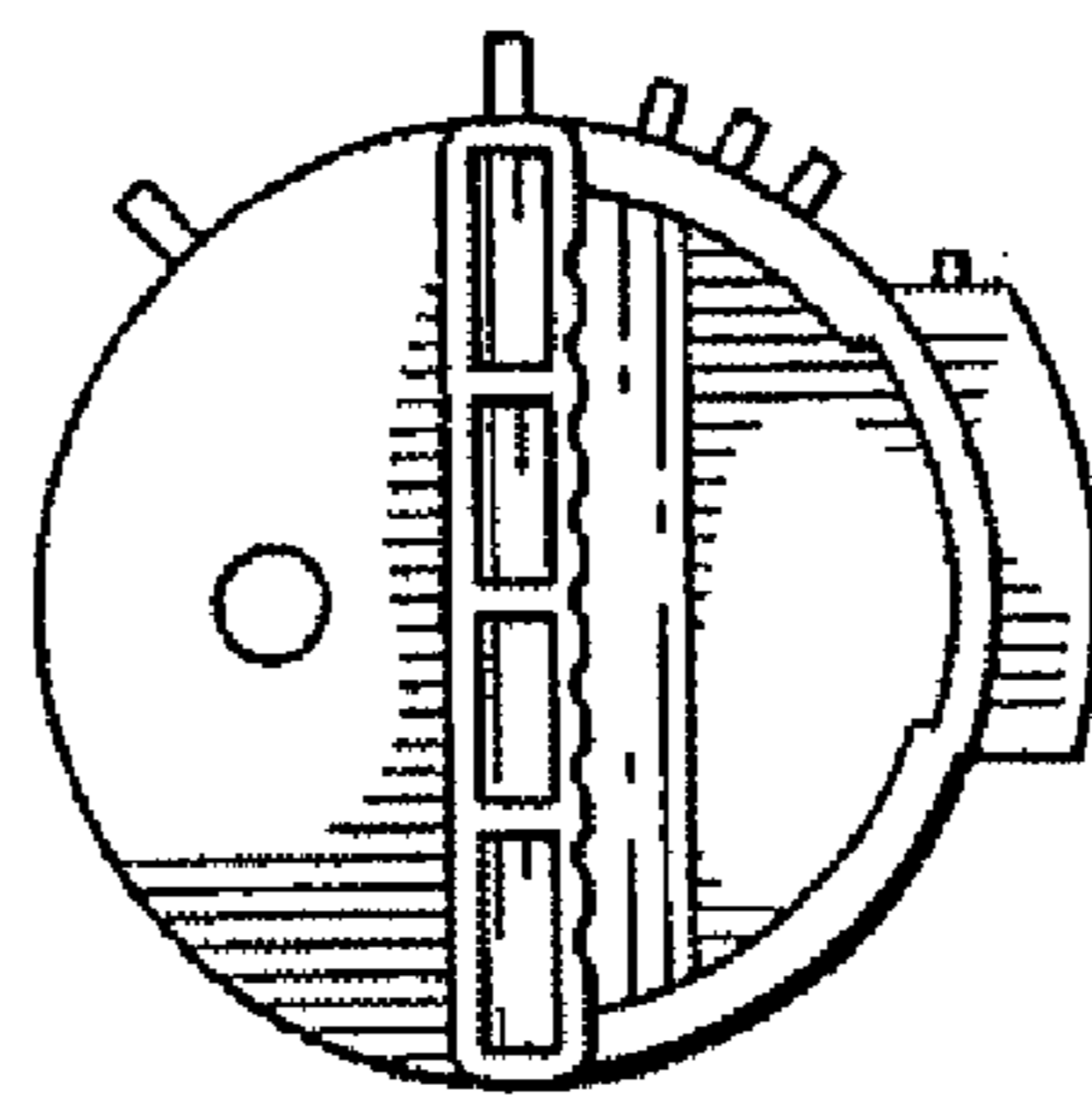


FIG. 4

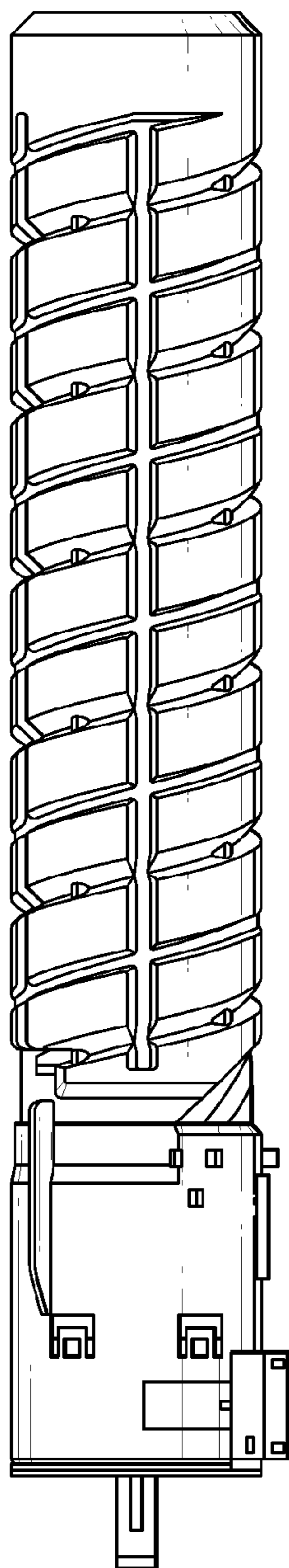


FIG. 5

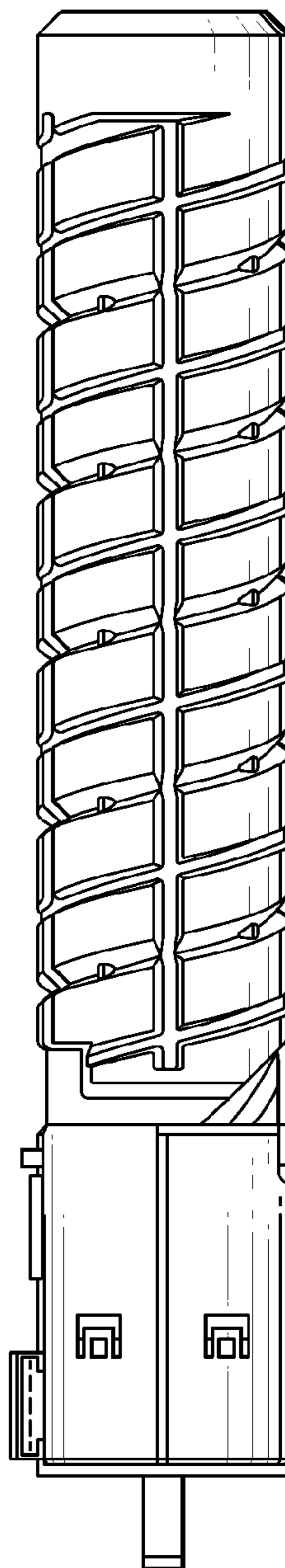


FIG. 6

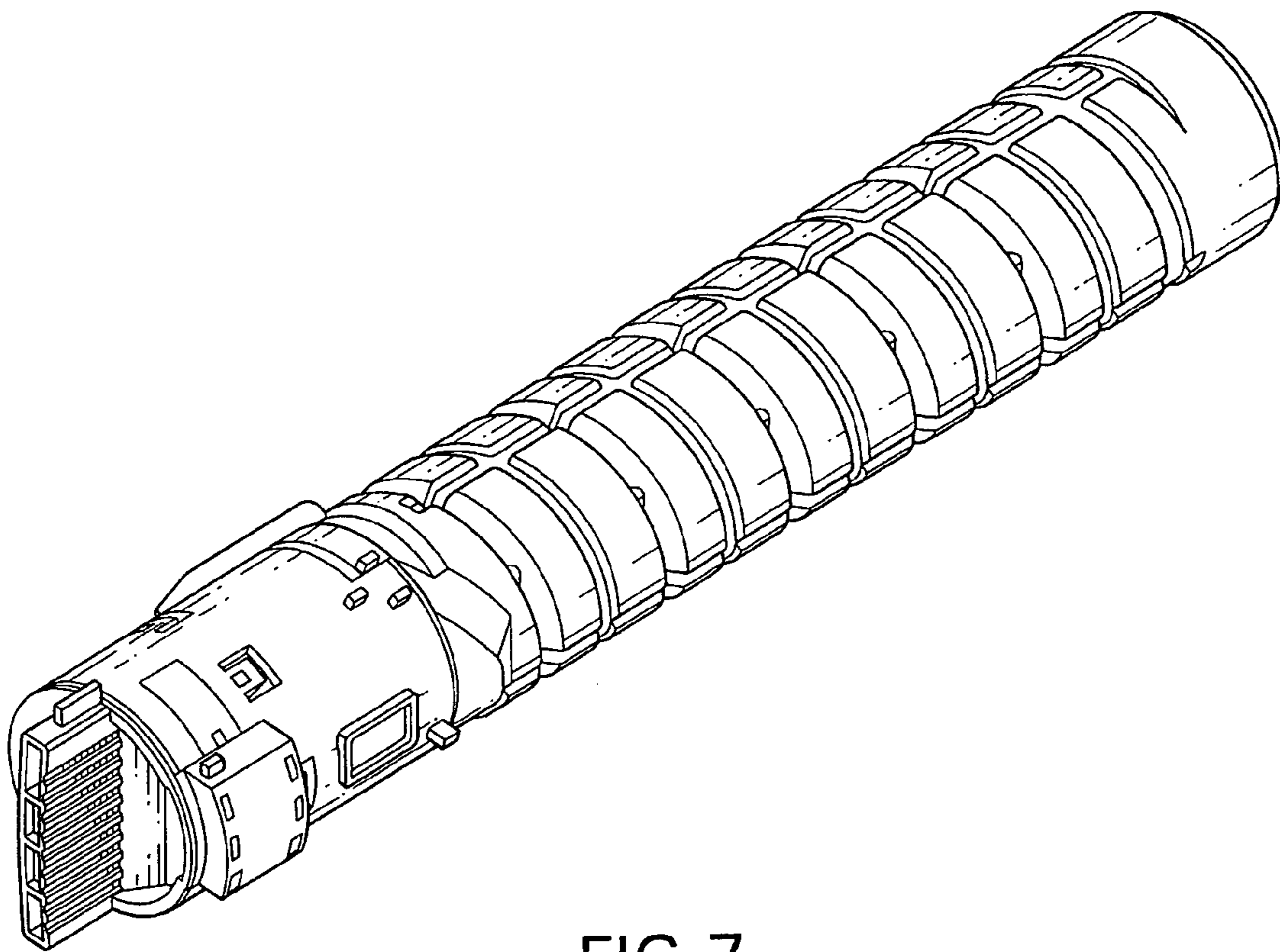


FIG. 7