

US00D622754S

(12) **United States Design Patent**
Hernandez

(10) **Patent No.:** **US D622,754 S**

(45) **Date of Patent:** **** Aug. 31, 2010**

(54) **DOLLY ASSEMBLY**

(76) Inventor: **Charles Hernandez**, 9112 Guess St.,
Rosemead, CA (US) 91770

(**) Term: **14 Years**

(21) Appl. No.: **29/341,896**

(22) Filed: **Aug. 14, 2009**

Related U.S. Application Data

(63) Continuation of application No. 12/484,862, filed on
Jun. 15, 2009.

(51) **LOC (9) Cl.** **16-05**

(52) **U.S. Cl.** **D16/242**

(58) **Field of Classification Search** D16/242,
D16/244, 245; D34/23, 28, 29, 34; 248/178.1,
248/183.1, 162.1; 280/86, 47.11
See application file for complete search history.

(56) **References Cited**

U.S. PATENT DOCUMENTS

1,943,360	A *	1/1934	Arnold	352/243
2,312,273	A	2/1943	Stochmal		
2,448,084	A	8/1948	Davis		
2,932,478	A	4/1960	Krieger		
2,952,411	A	9/1960	Hand		
3,422,565	A	1/1969	Kentfield et al.		
D221,634	S *	8/1971	Bradspies et al.	D34/23
3,598,355	A	8/1971	English		
4,003,584	A *	1/1977	Zelli	280/47.11
4,241,988	A	12/1980	Lepp		
4,614,502	A	9/1986	Nelson		
4,699,484	A *	10/1987	Howell et al.	396/428
4,802,622	A	2/1989	Homan		
5,061,000	A	10/1991	Haugen et al.		
D338,030	S *	8/1993	Chapman	D16/242
5,312,121	A *	5/1994	Chapman	248/183.1
D376,460	S	12/1996	Isaia et al.		

5,609,108	A	3/1997	Chapman		
5,711,227	A	1/1998	Johnson		
5,716,062	A *	2/1998	Lindsay	280/47.11
5,887,787	A	3/1999	Saldana, III		
6,360,673	B1	3/2002	Herrin et al.		
6,435,421	B1	8/2002	Peterson		
6,557,775	B1	5/2003	Brinson et al.		
2002/0064386	A1 *	5/2002	Losmandy	396/419
2007/0095246	A1 *	5/2007	Heiligenmann	104/307
2007/0251408	A1 *	11/2007	Fletcher et al.	104/247
2008/0315542	A1 *	12/2008	Fisher	280/86
2008/0315543	A1 *	12/2008	Fisher	280/86

* cited by examiner

Primary Examiner—Adir Aronovich

(74) *Attorney, Agent, or Firm*—Tsircou Law, P.C.

(57) **CLAIM**

The ornamental design for a dolly assembly, as shown and described.

DESCRIPTION

FIG. 1 is a perspective view of a dolly assembly in accordance with my new design, showing the dolly positioned on tracks;

FIG. 2 is a side perspective view of the dolly assembly of FIG. 1;

FIG. 3 is a top plan view of the dolly assembly of FIG. 1, depicting a camera plate in a center position;

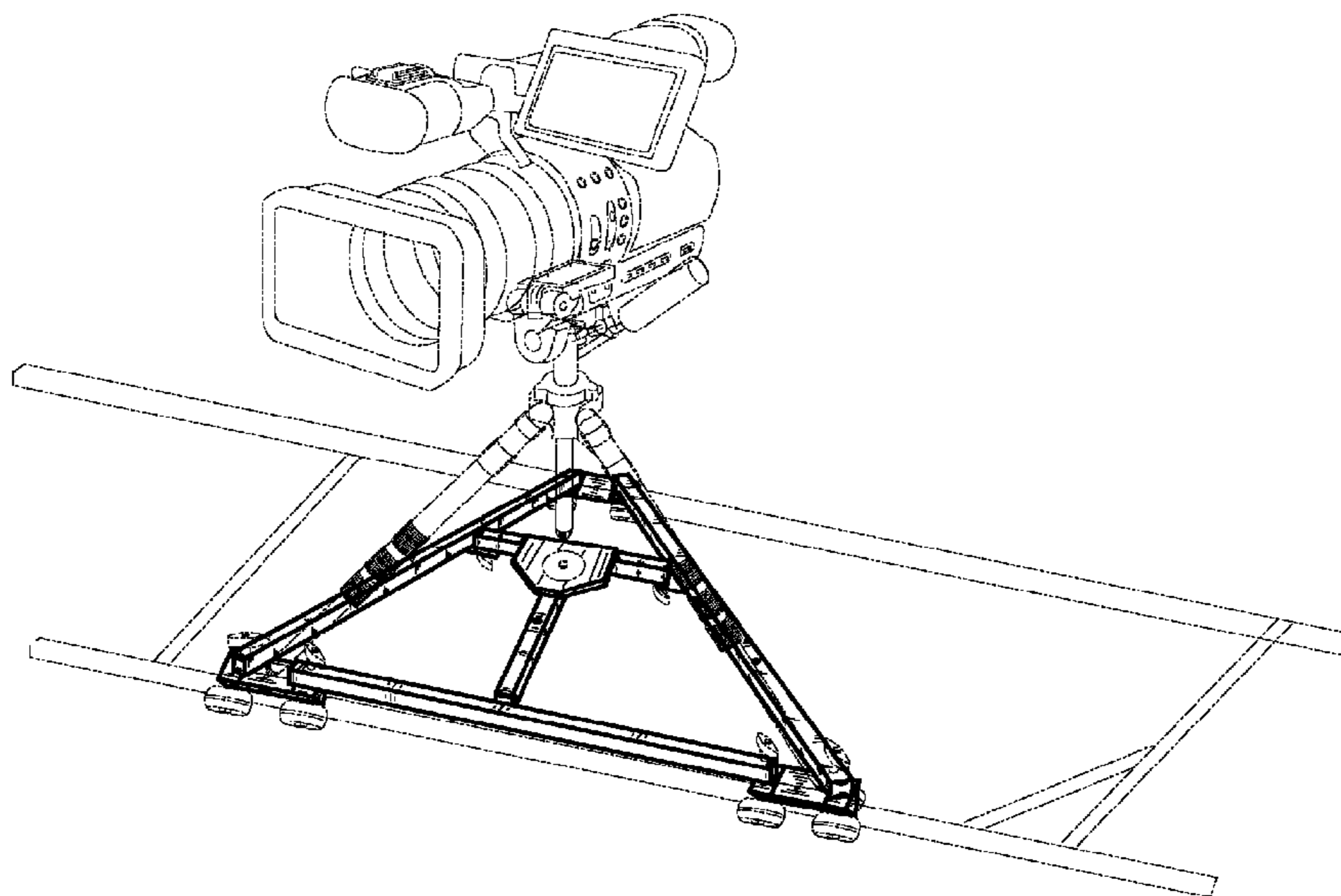
FIG. 4 is a top plan view of the dolly assembly of FIG. 1, depicting the camera plate in a left side position;

FIG. 5 is a top plan view of the dolly assembly of FIG. 1, depicting the camera plate in a right side position; and,

FIG. 6 is an enlarged perspective view of one of the three wheel carriages of the dolly assembly of FIG. 1.

The dashed lines depict environmental aspects and form no part of the claimed design.

1 Claim, 3 Drawing Sheets



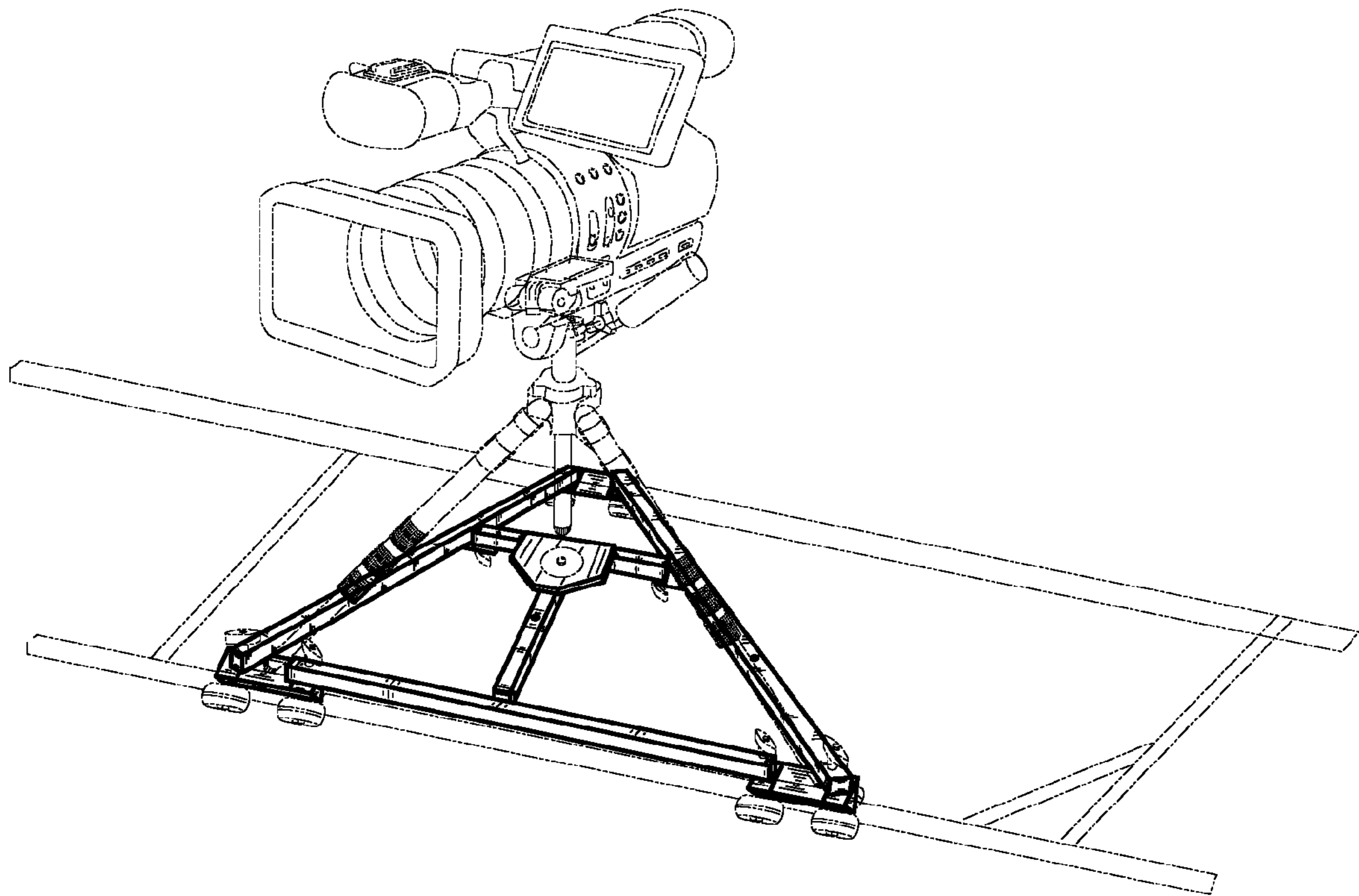


FIG. 1

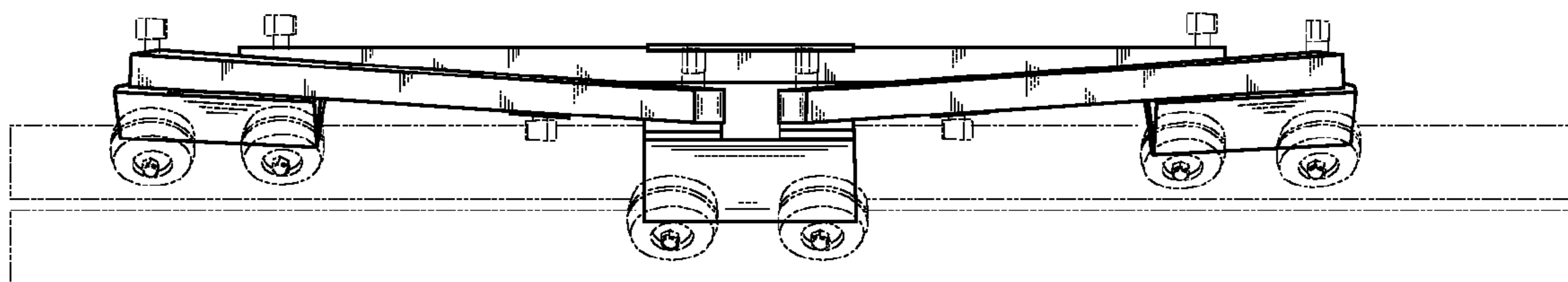


FIG. 2

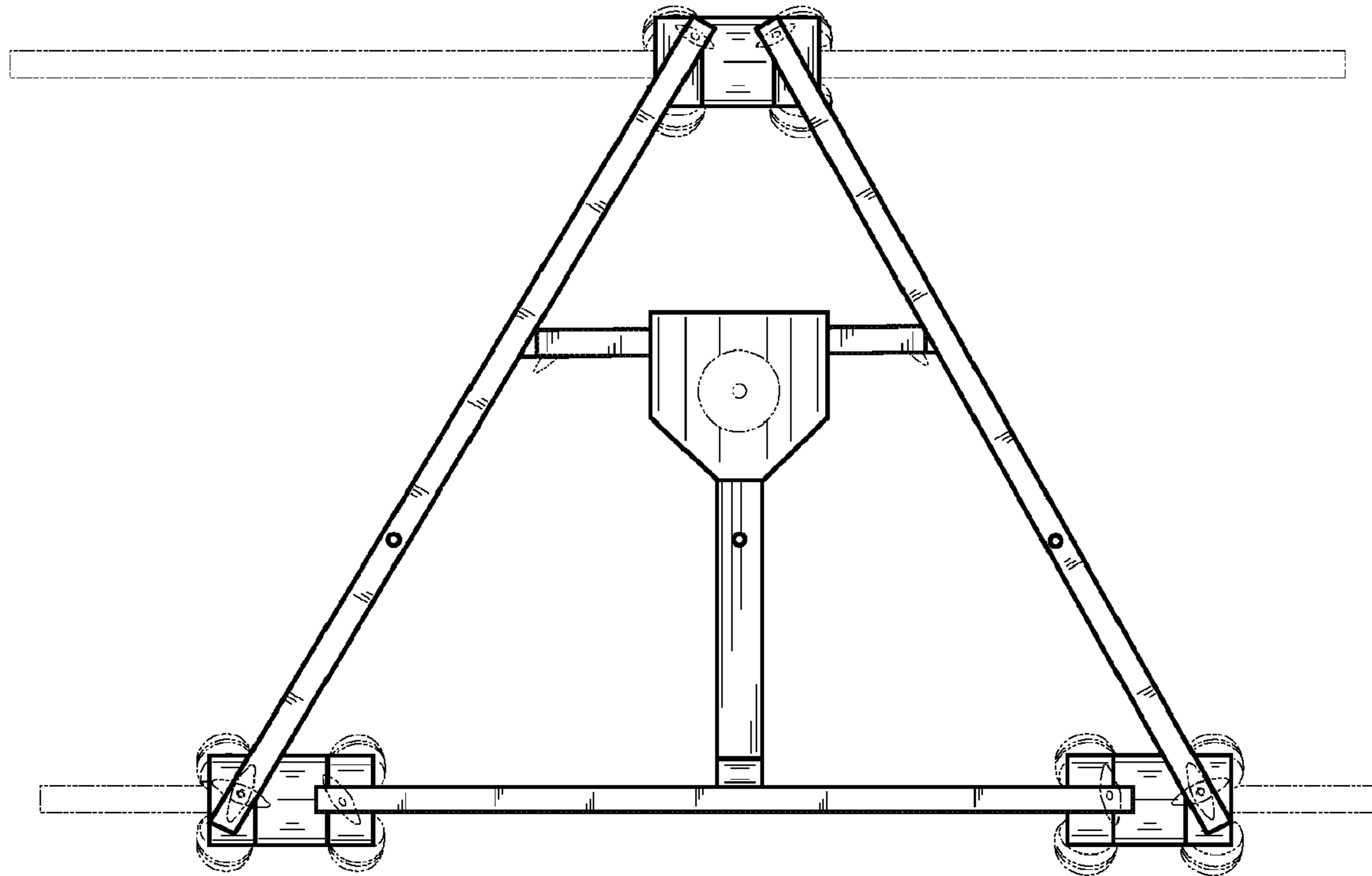


FIG. 3

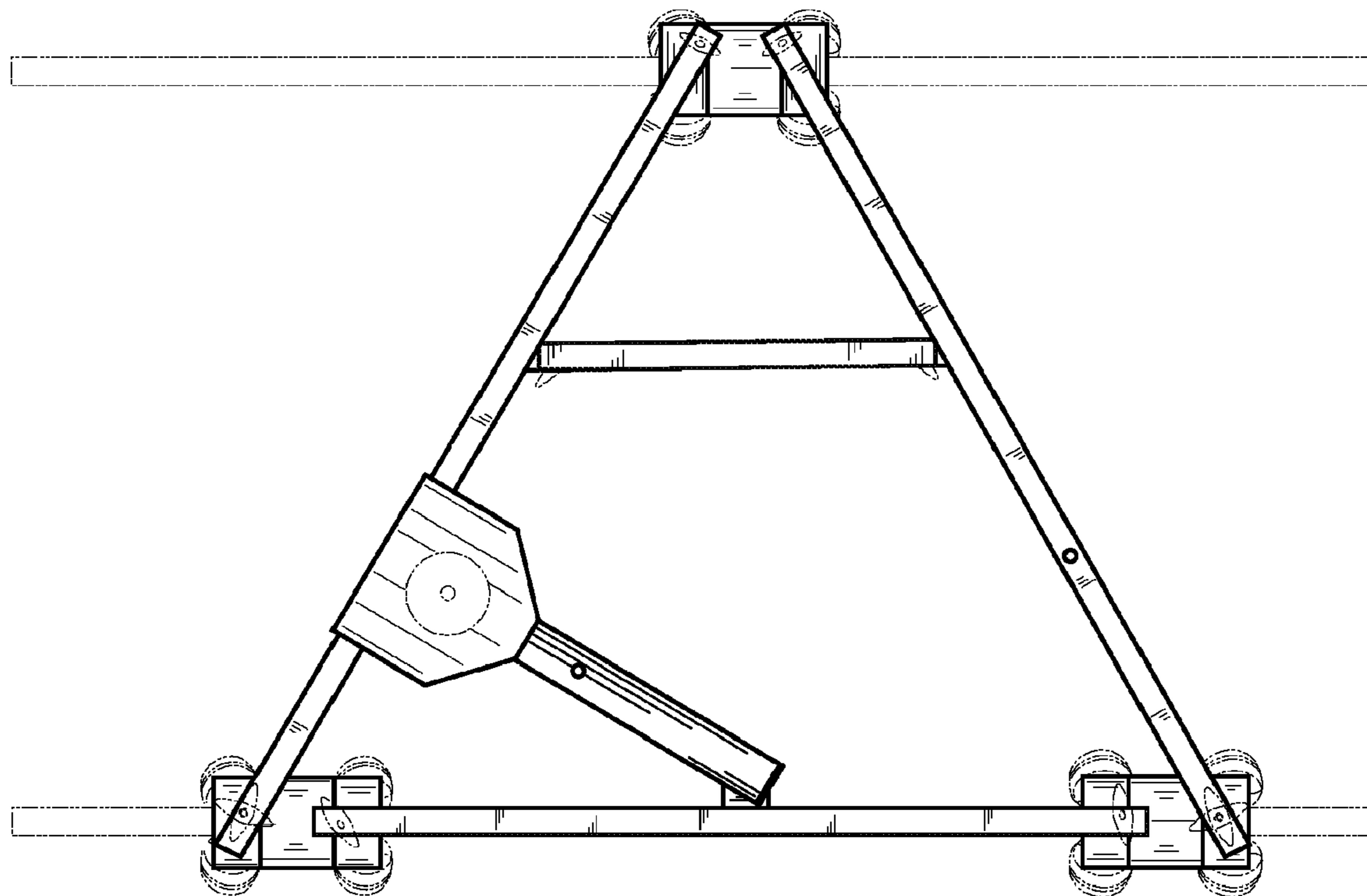


FIG. 4

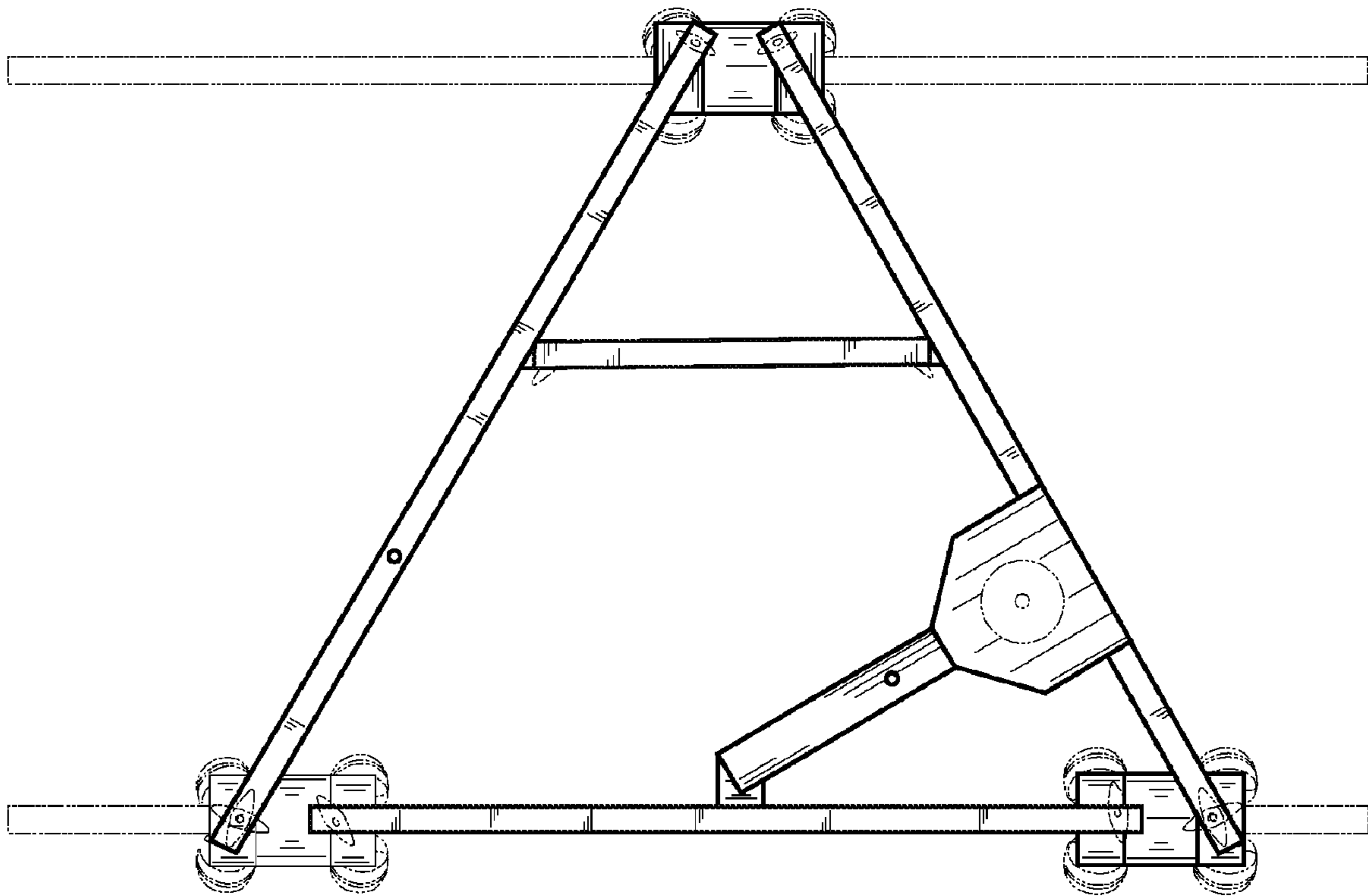


FIG. 5

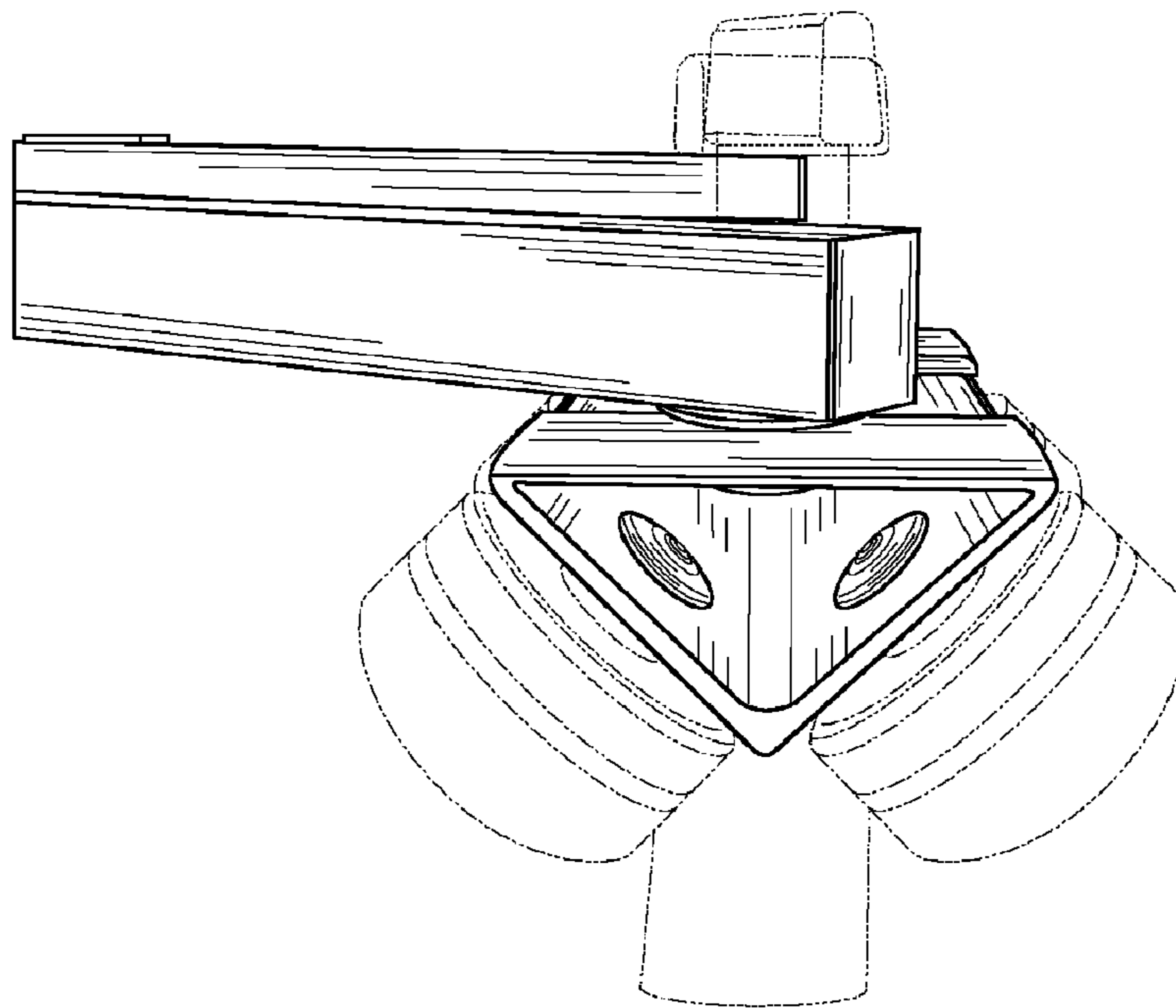


FIG. 6