



US00D622753S

(12) **United States Design Patent**  
**Zen**

(10) **Patent No.:** **US D622,753 S**

(45) **Date of Patent:** **\*\* Aug. 31, 2010**

(54) **CROSS MEMBER FOR VIDEO AND PHOTOGRAPHIC APPARATUSES**

D514,612 S \* 2/2006 Boele ..... D16/235  
D560,669 S \* 1/2008 Muday et al. .... D14/451  
D579,759 S \* 11/2008 Strait et al. .... D8/349

(75) Inventor: **Andrea Zen**, Bassano Del Grappa (IT)

\* cited by examiner

(73) Assignee: **Gitzo S.A.**, Rungis (FR)

*Primary Examiner*—Ian Simmons

(\*\*) Term: **14 Years**

*Assistant Examiner*—Wan Laymon

(21) Appl. No.: **29/312,079**

(74) *Attorney, Agent, or Firm*—James C. Eaves, Jr.;  
Greenebaum Doll & McDonald PLLC

(22) Filed: **Sep. 29, 2008**

(57) **CLAIM**

(30) **Foreign Application Priority Data**

The ornamental design for a cross member for video and photographic apparatuses, as shown and described.

Jul. 17, 2008 (EM) ..... 000972153

**DESCRIPTION**

(51) **LOC (9) Cl.** ..... **16-05**

FIG. 1 is a bottom plan view of the cross member of the present design;

(52) **U.S. Cl.** ..... **D16/242**

FIG. 2 is a side view of the cross member of the present design;

(58) **Field of Classification Search** ..... D16/237,  
D16/242, 244–245; 248/176.1, 177.1, 180.1,  
248/181.1, 181.2, 183.1, 183.3, 183.2, 185.1,  
248/186.1, 186.2, 188.3, 288.31, 288.51,  
248/182.2, 288.11, 289.11, 291.1, 481–482;  
403/76, 83, 90–91; D8/354, 349, 355, 373,  
D8/380; D14/217, 224, 238, 237, 451; 396/421,  
396/422, 425

FIG. 3 is a front elevational view of the cross member of the present design;

See application file for complete search history.

FIG. 4 is a view from the other side of the cross member of the present design;

(56) **References Cited**

FIG. 5 is a rear view of the cross member of the present design;

**U.S. PATENT DOCUMENTS**

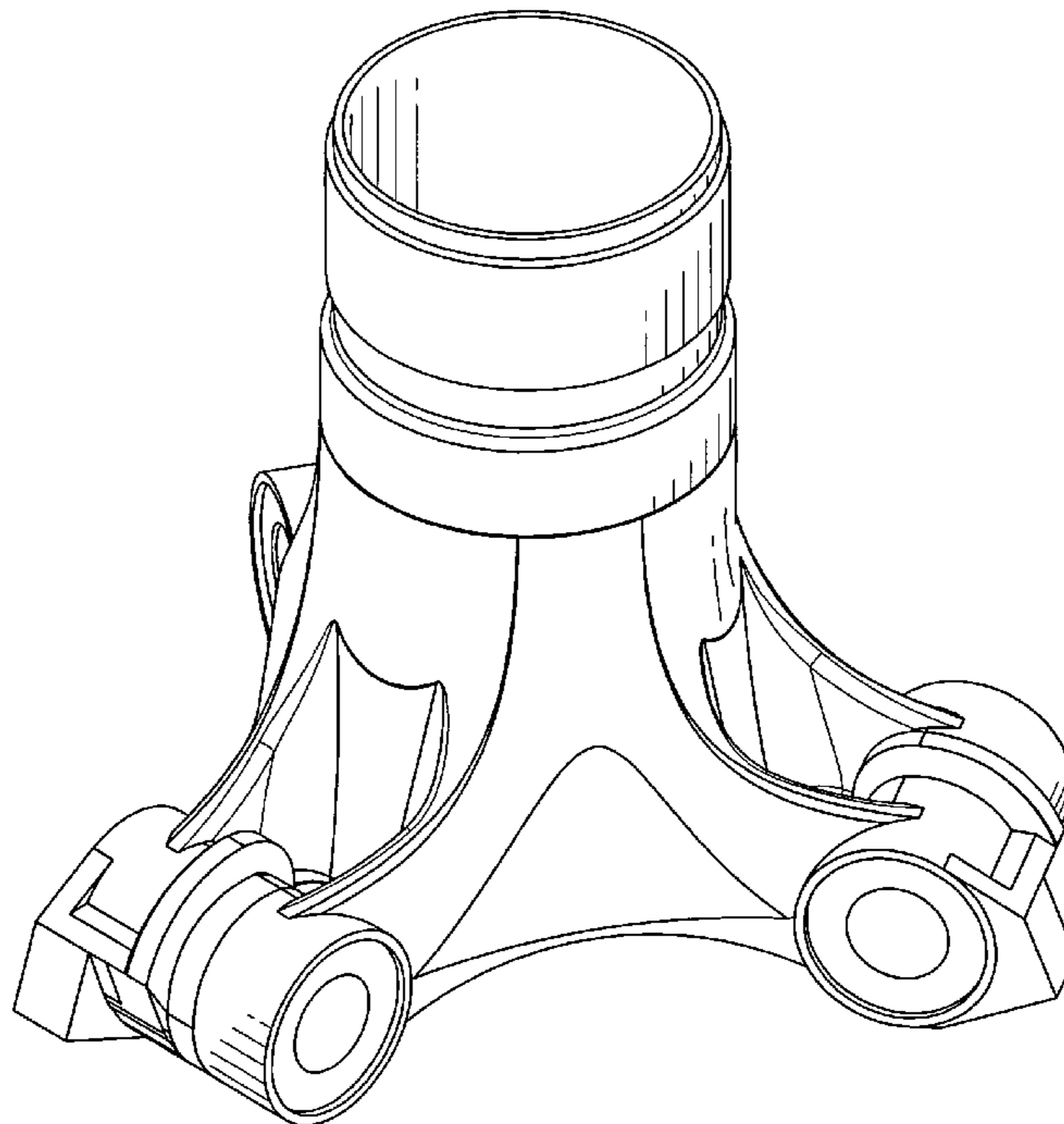
2,518,288 A \* 8/1950 Coutant ..... 280/47.11  
D308,067 S \* 5/1990 Mednick ..... D16/245  
D315,817 S \* 3/1991 Healy ..... D34/23  
D338,030 S \* 8/1993 Chapman ..... D16/242  
D347,501 S \* 5/1994 Chapman ..... D16/242  
D361,587 S \* 8/1995 Chapman ..... D16/242

FIG. 6 is a perspective view of the cross member of the present design; and,

FIG. 7 is a top plan view of a cross member of the present design.

The portions of the Figures shown in phantom lines are not part of the claimed design and are for illustration only.

**1 Claim, 7 Drawing Sheets**



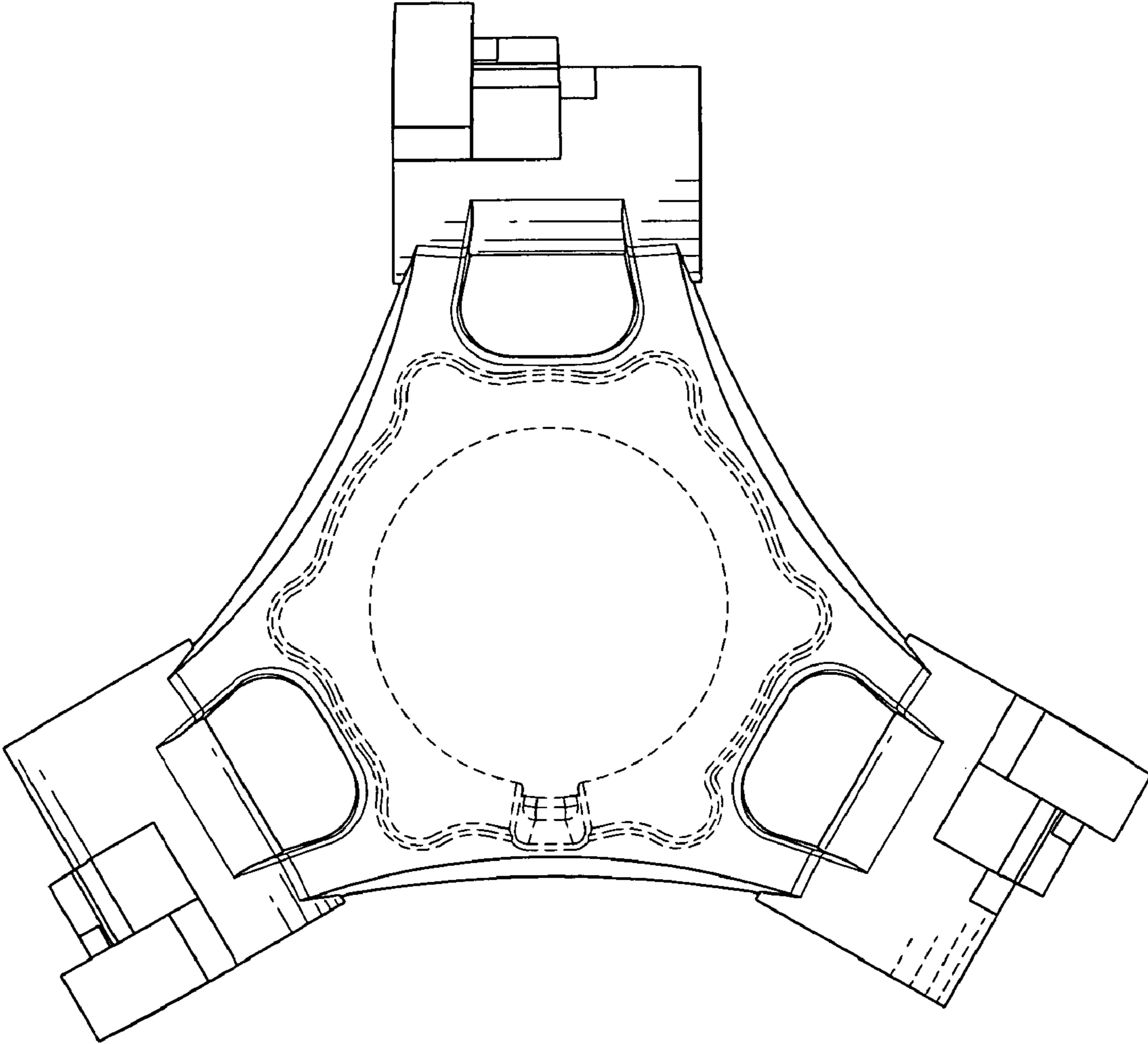


FIG. 1

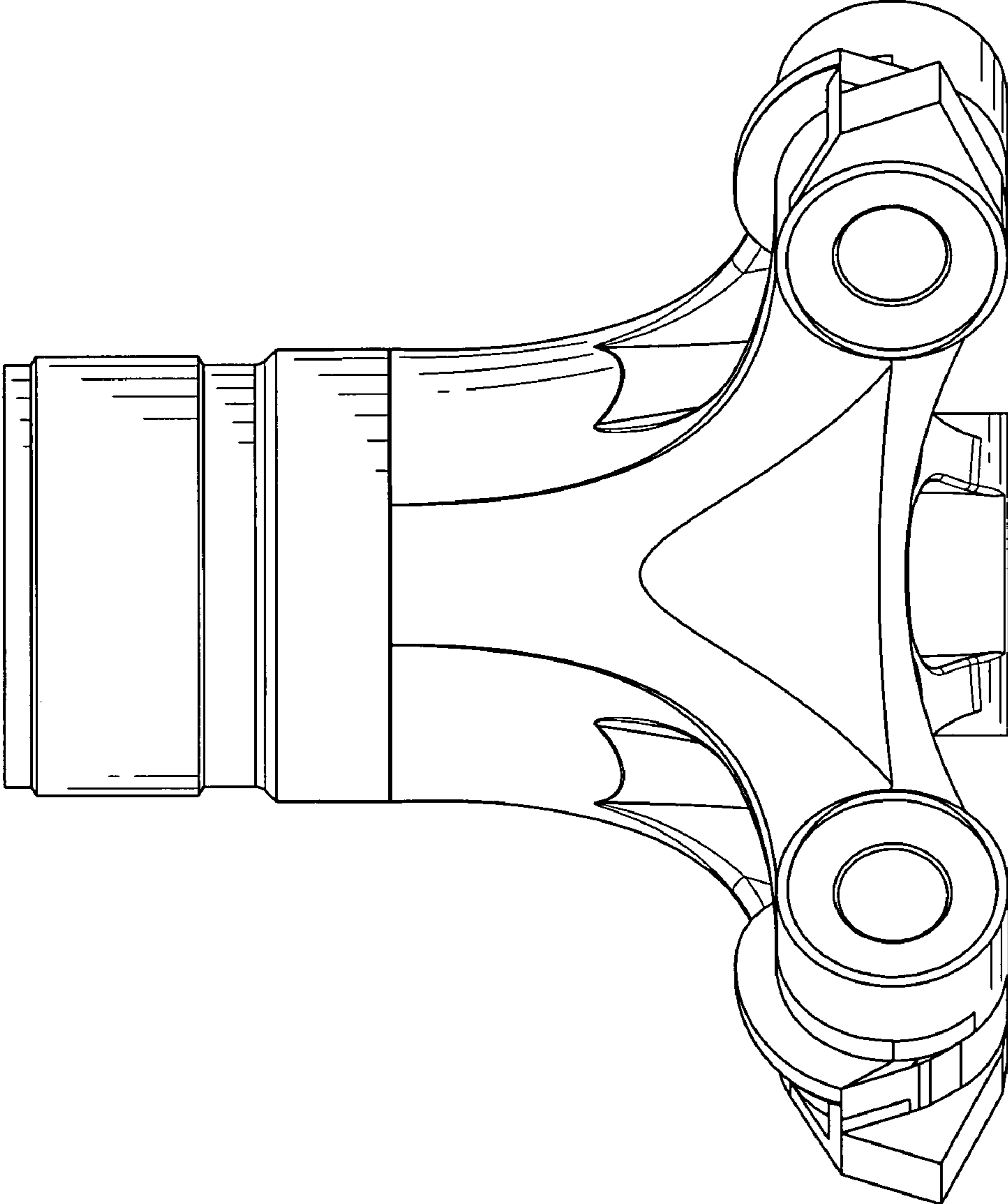


FIG. 2

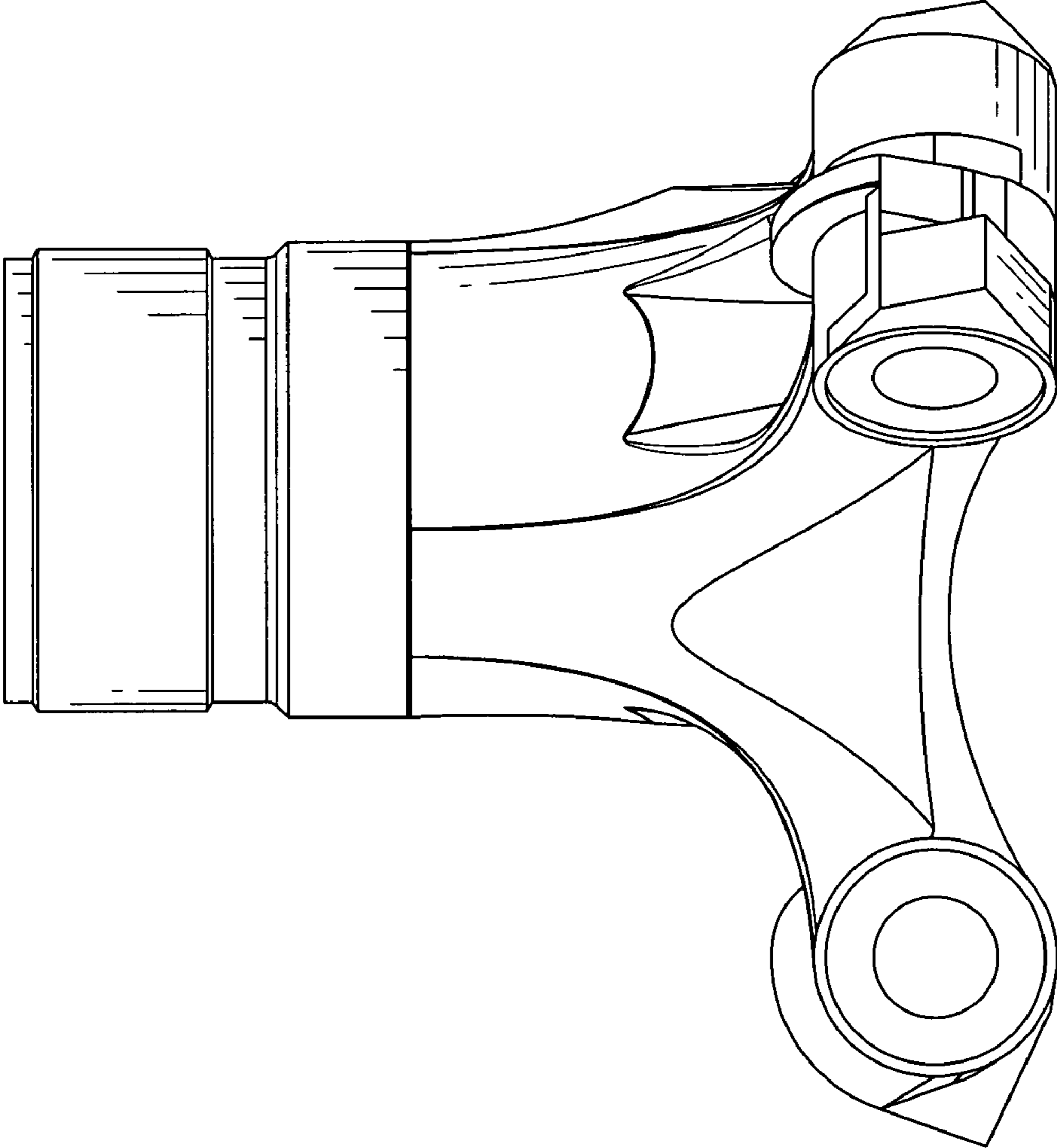


FIG. 3

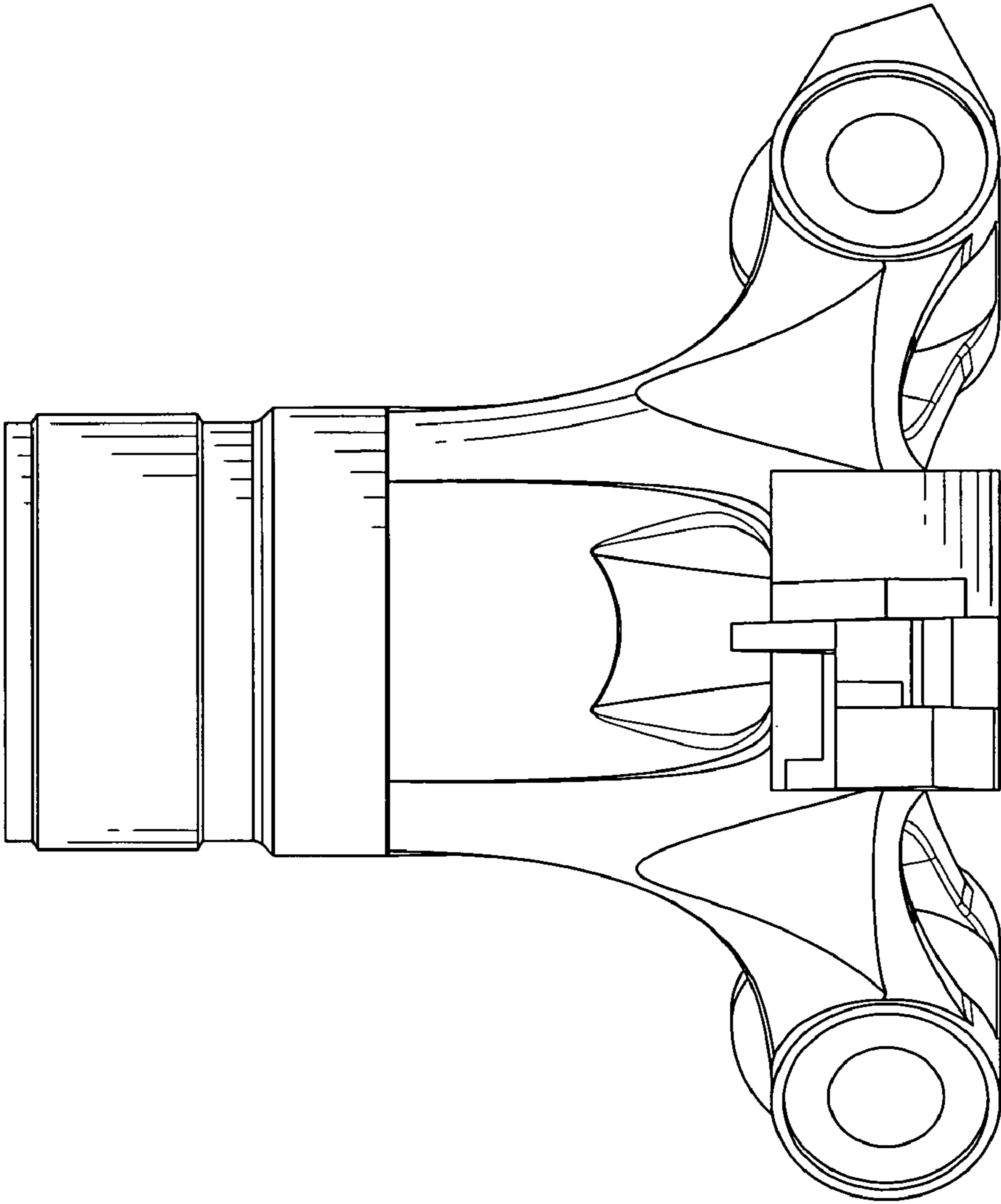


FIG. 4

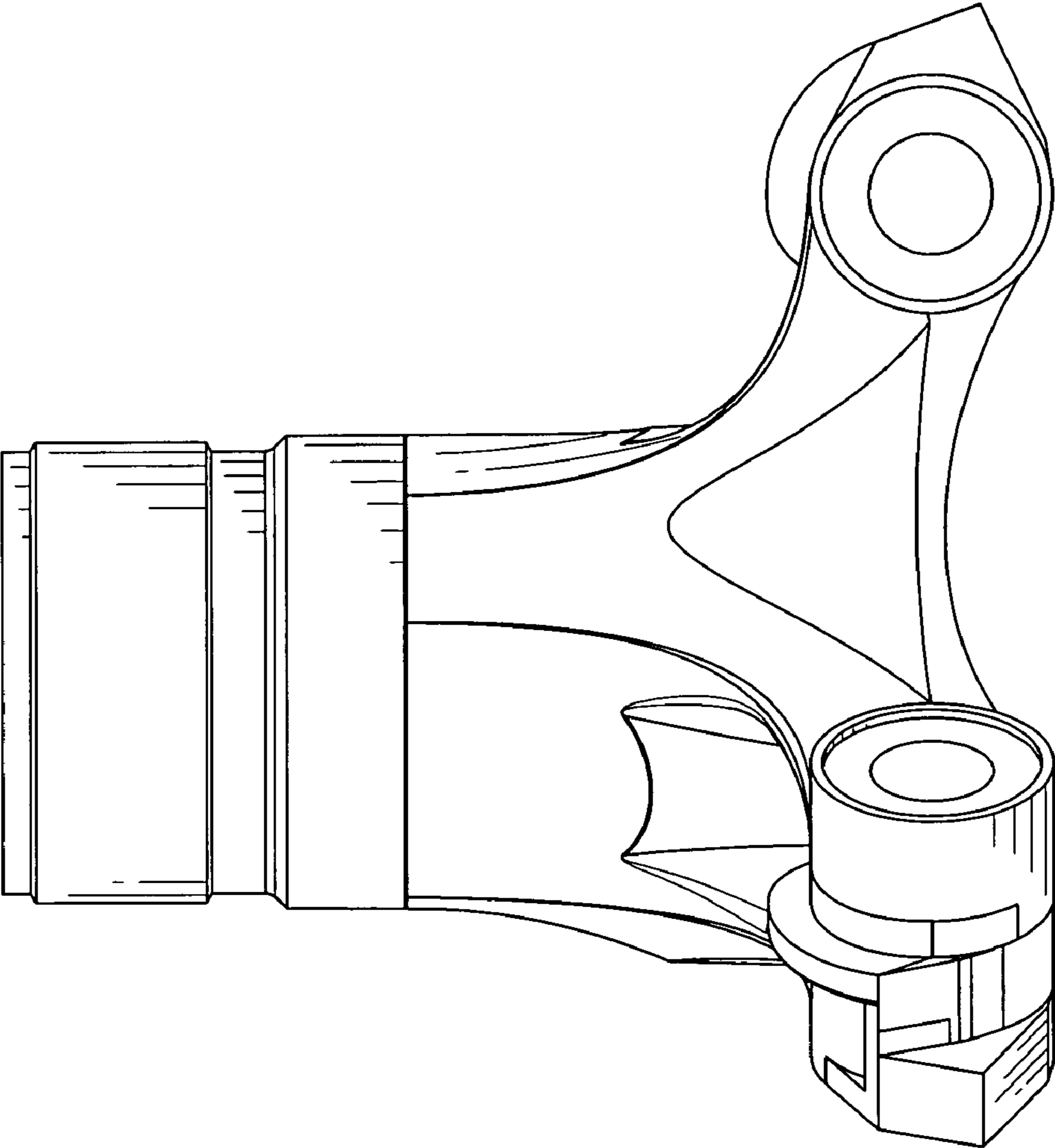


FIG. 5

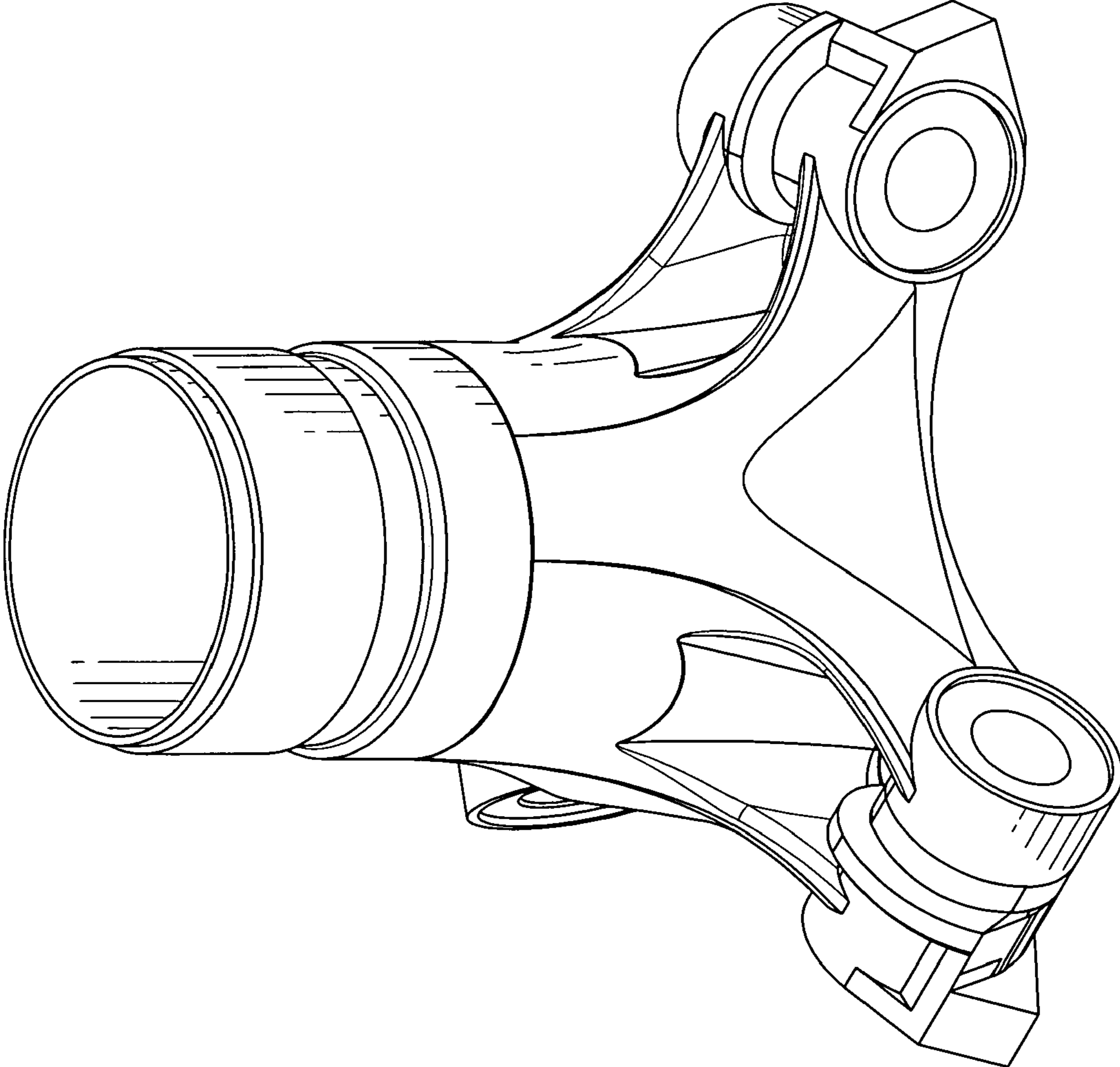


FIG. 6

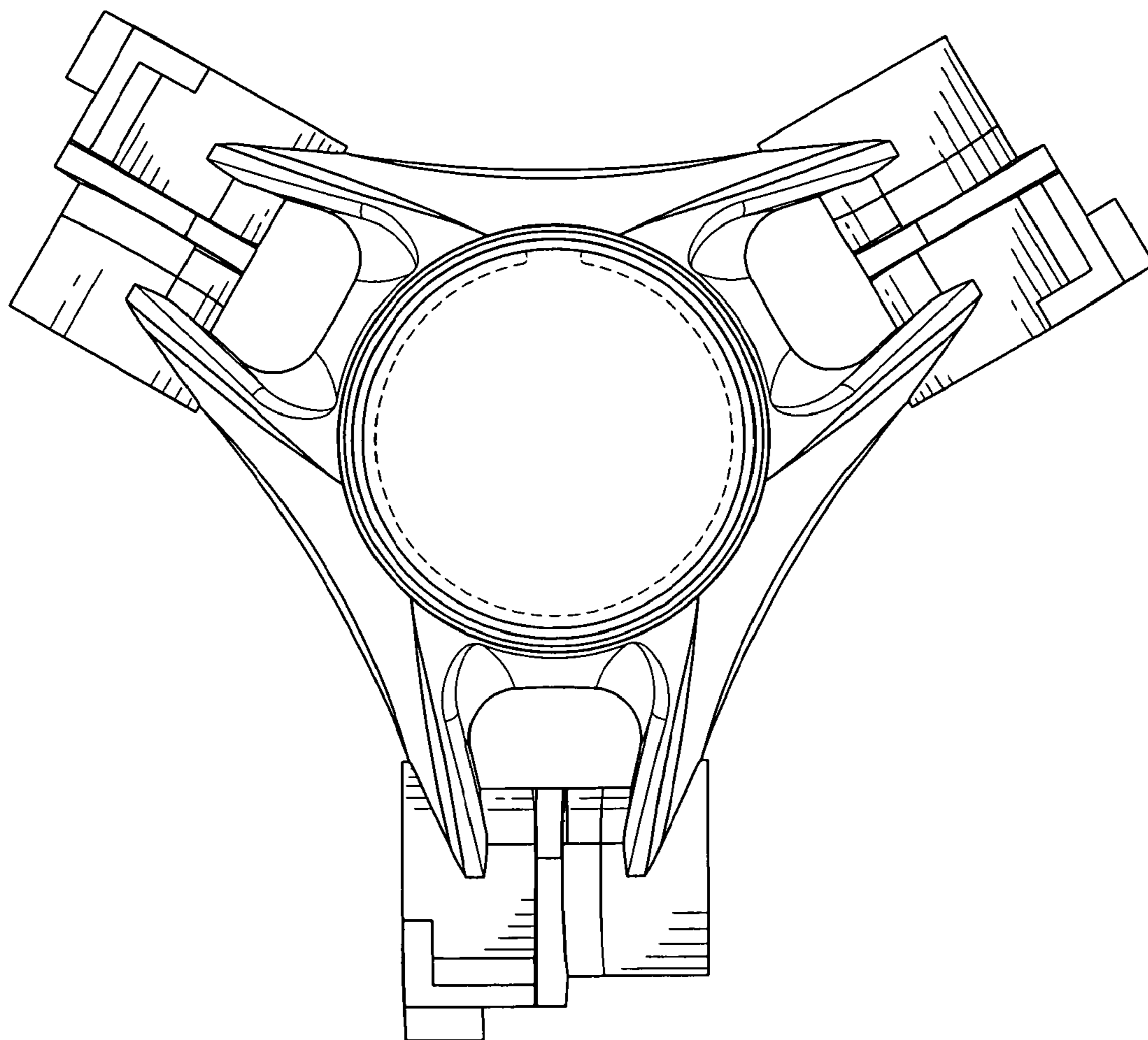


FIG. 7