



US00D622752S

(12) **United States Design Patent**  
**Takeda et al.**

(10) **Patent No.:** **US D622,752 S**

(45) **Date of Patent:** **\*\* Aug. 31, 2010**

(54) **PROJECTOR**

(75) Inventors: **Mikiya Takeda**, Minato-ku (JP);  
**Manabu Tominaga**, Shinagawa-ku (JP)

(73) Assignee: **NEC Display Solutions, Ltd.**, Tokyo (JP)

(\*\*) Term: **14 Years**

(21) Appl. No.: **29/343,305**

(22) Filed: **Sep. 10, 2009**

(30) **Foreign Application Priority Data**

Mar. 24, 2009 (JP) ..... 2009-006524

(51) **LOC (9) Cl.** ..... **16-02**

(52) **U.S. Cl.** ..... **D16/225; D16/230**

(58) **Field of Classification Search** ..... D16/200–205,  
D16/208, 221, 225, 230–231, 234; D21/514;  
353/52, 54, 56, 57, 61, 115, 119, 122, 101;  
362/373, 294; 352/34, 202, 242, 243  
See application file for complete search history.

(56) **References Cited**

**U.S. PATENT DOCUMENTS**

D498,489 S \* 11/2004 Oross ..... D16/230  
7,159,991 B2 \* 1/2007 Ito ..... 353/122  
7,165,849 B2 \* 1/2007 Masuzawa et al. .... 353/101

D546,864 S \* 7/2007 Kim ..... D16/230  
7,246,908 B2 \* 7/2007 Salvatori et al. .... 353/119  
D599,393 S \* 9/2009 Takeda et al. .... D16/225  
D602,061 S \* 10/2009 Tatara et al. .... D16/230  
2007/0115436 A1 \* 5/2007 Takeda et al. .... 353/57

\* cited by examiner

*Primary Examiner*—Ian Simmons

*Assistant Examiner*—Wan Laymon

(74) *Attorney, Agent, or Firm*—Sughrue Mion, PLLC

(57) **CLAIM**

The ornamental design for a projector, as shown and described.

**DESCRIPTION**

FIG. 1 is a front, right side, top perspective view of a projector showing our new design;

FIG. 2 is a front, left side, top perspective view thereof;

FIG. 3 is a front elevational view thereof;

FIG. 4 is a rear elevational view thereof;

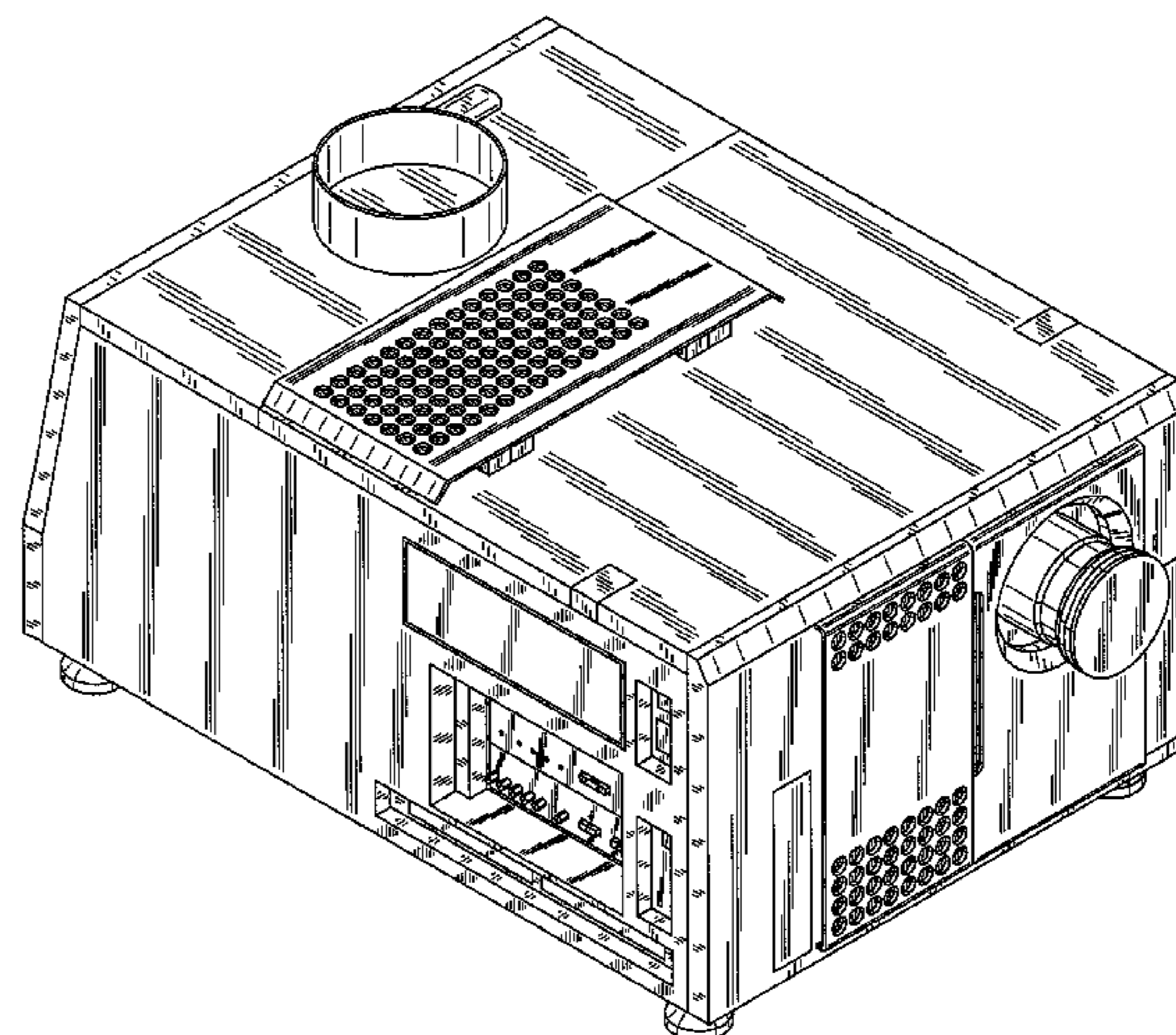
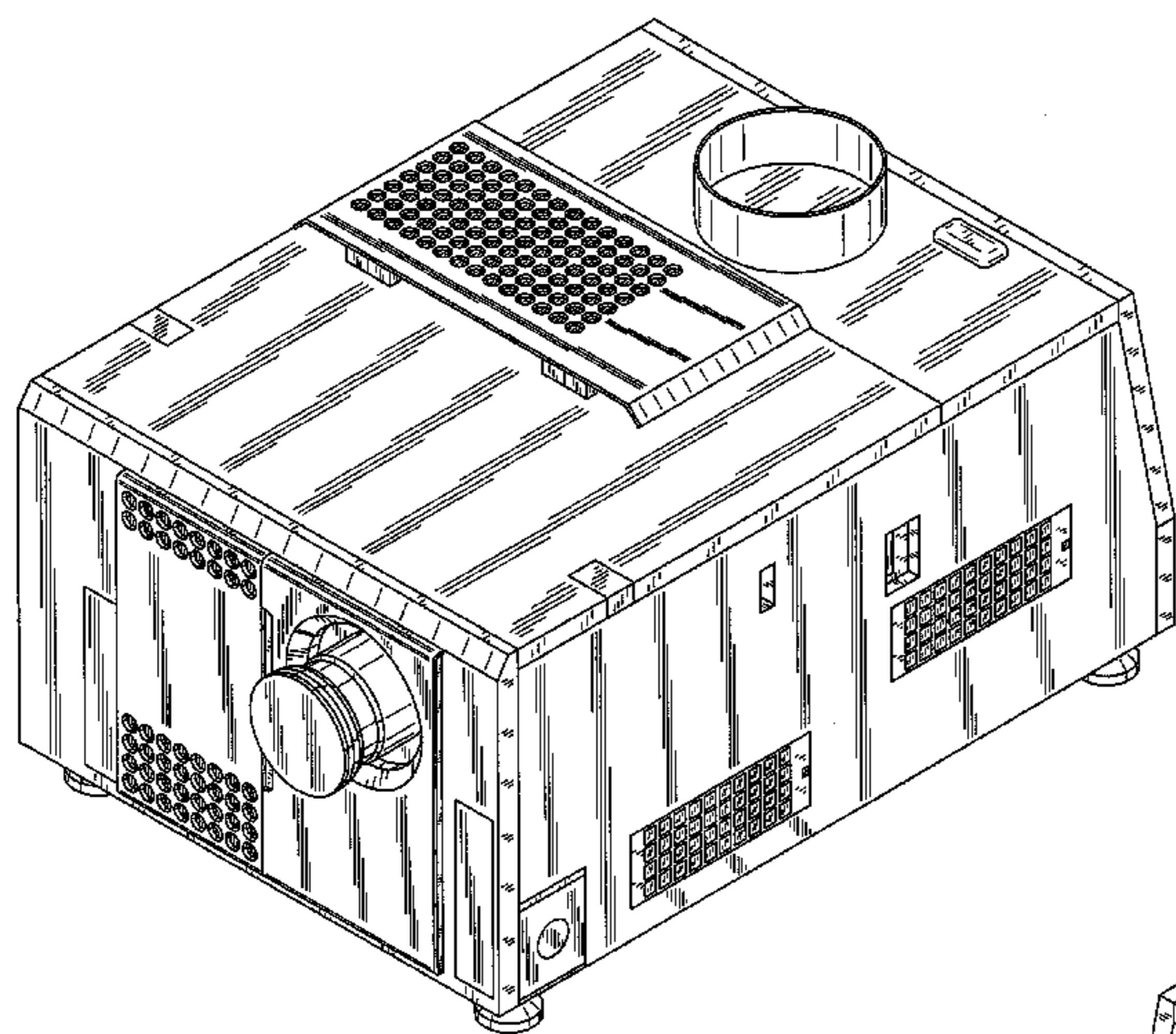
FIG. 5 is a left side view thereof;

FIG. 6 is a right side view thereof;

FIG. 7 is a top plan view thereof; and,

FIG. 8 is a bottom plan view thereof.

**1 Claim, 8 Drawing Sheets**



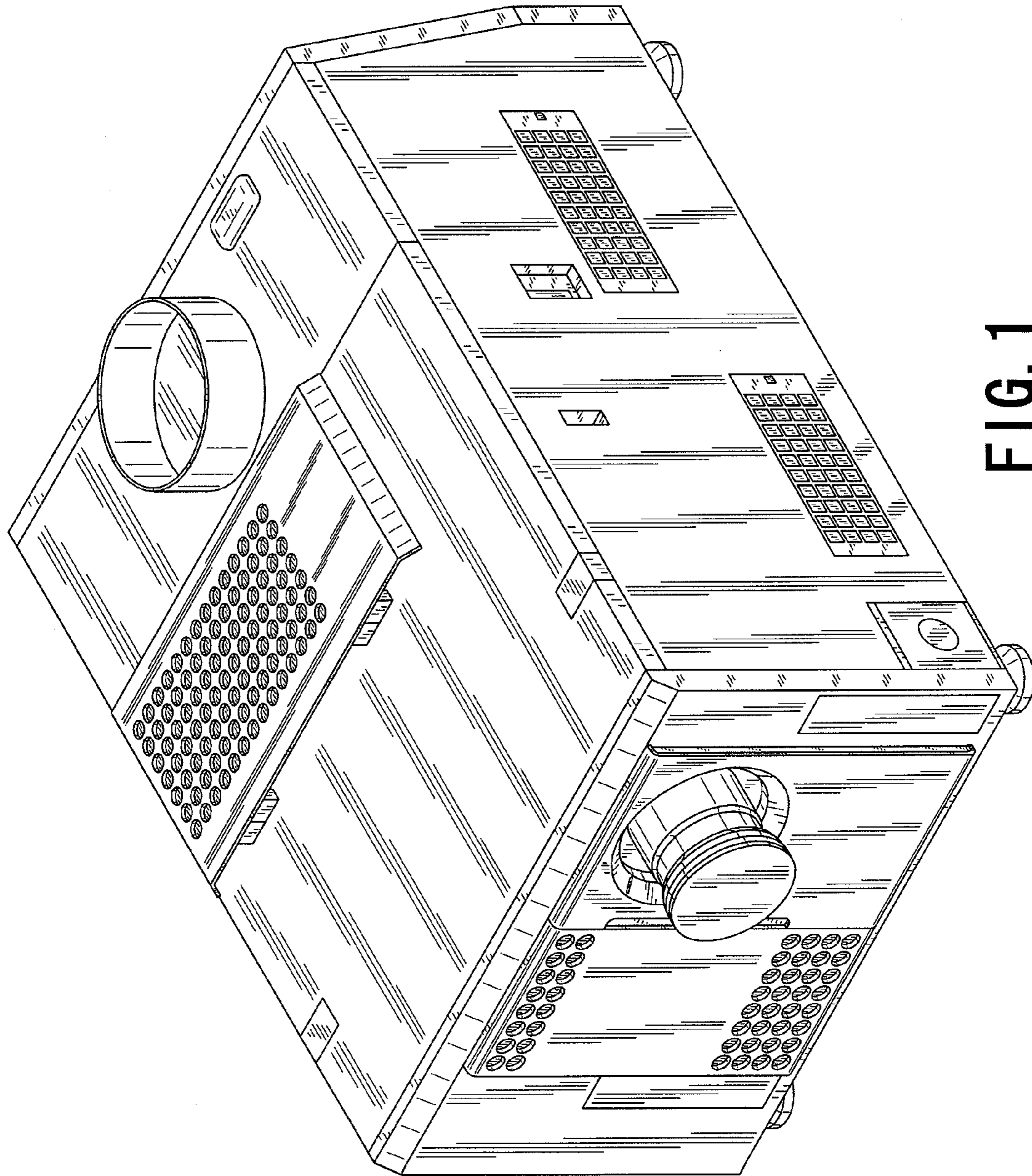


FIG. 1



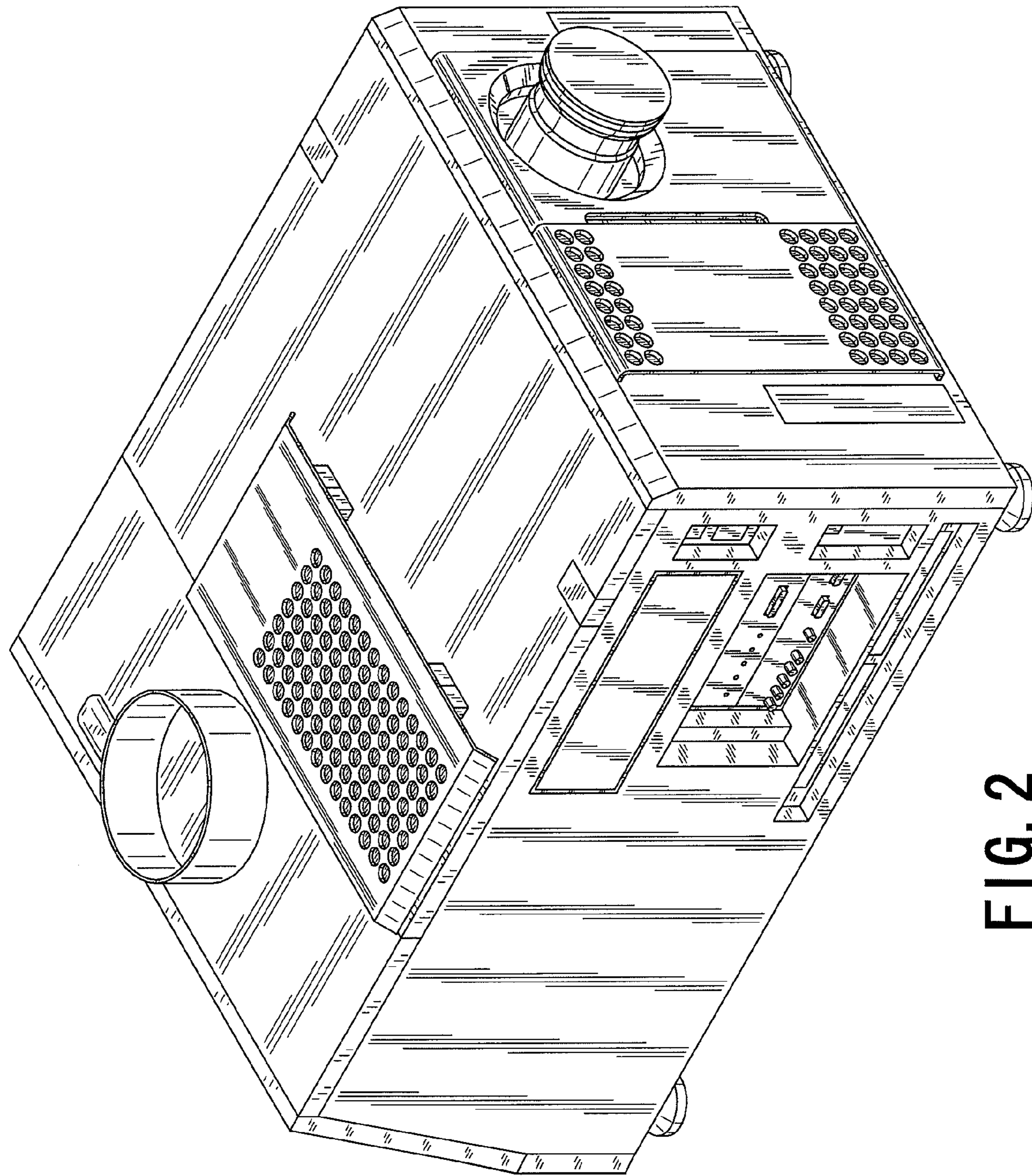


FIG. 2

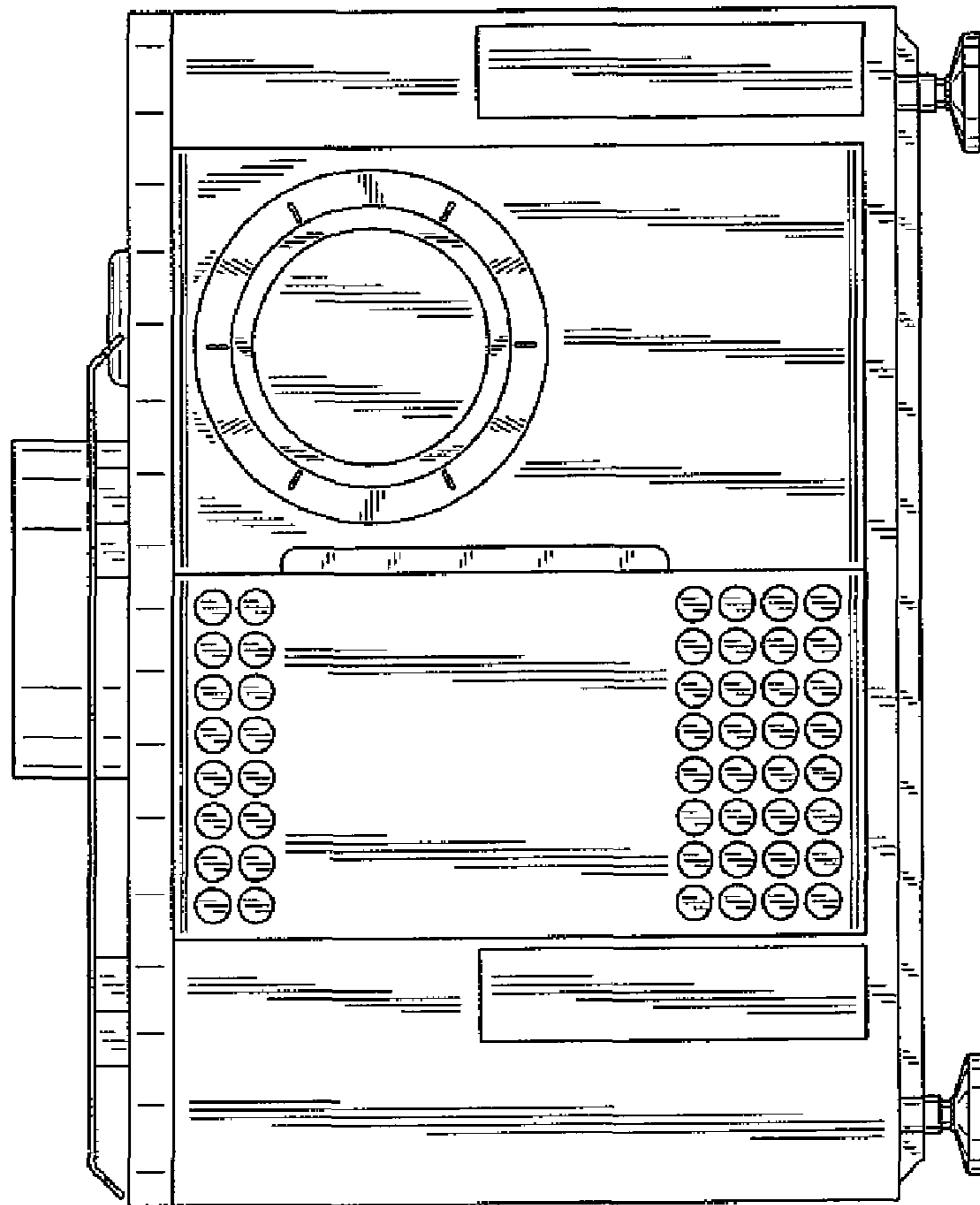


FIG. 3

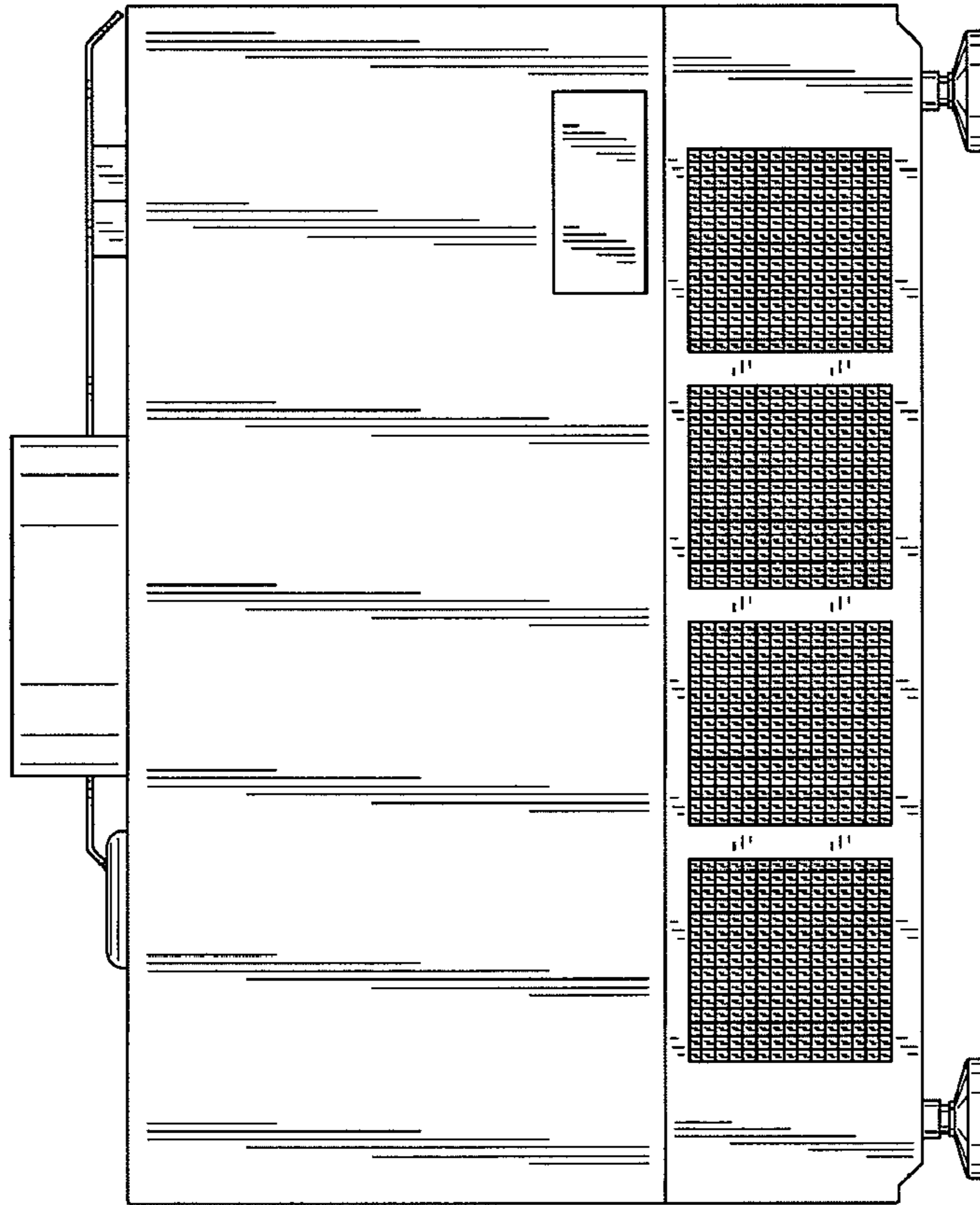


FIG. 4

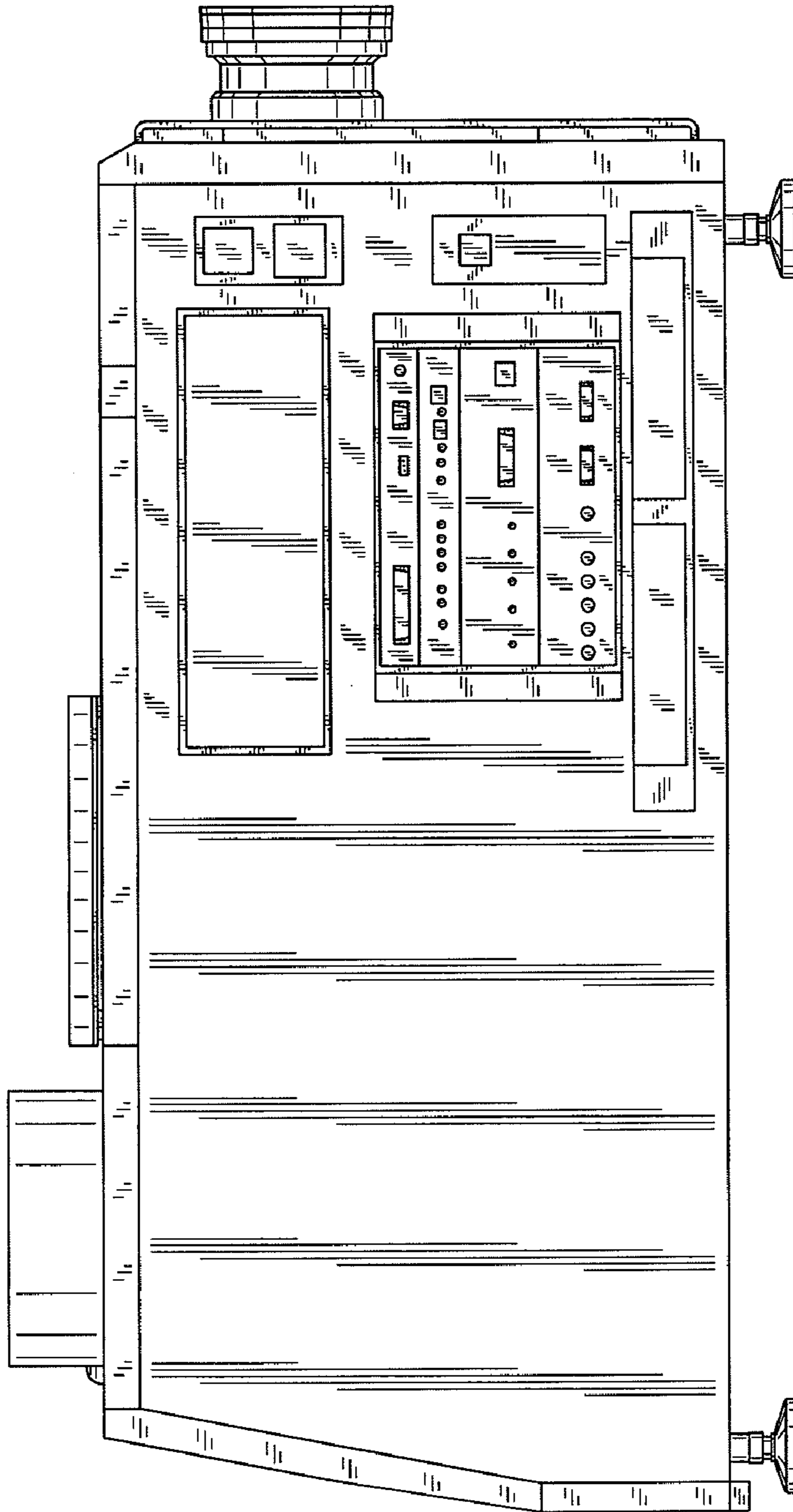


FIG. 5

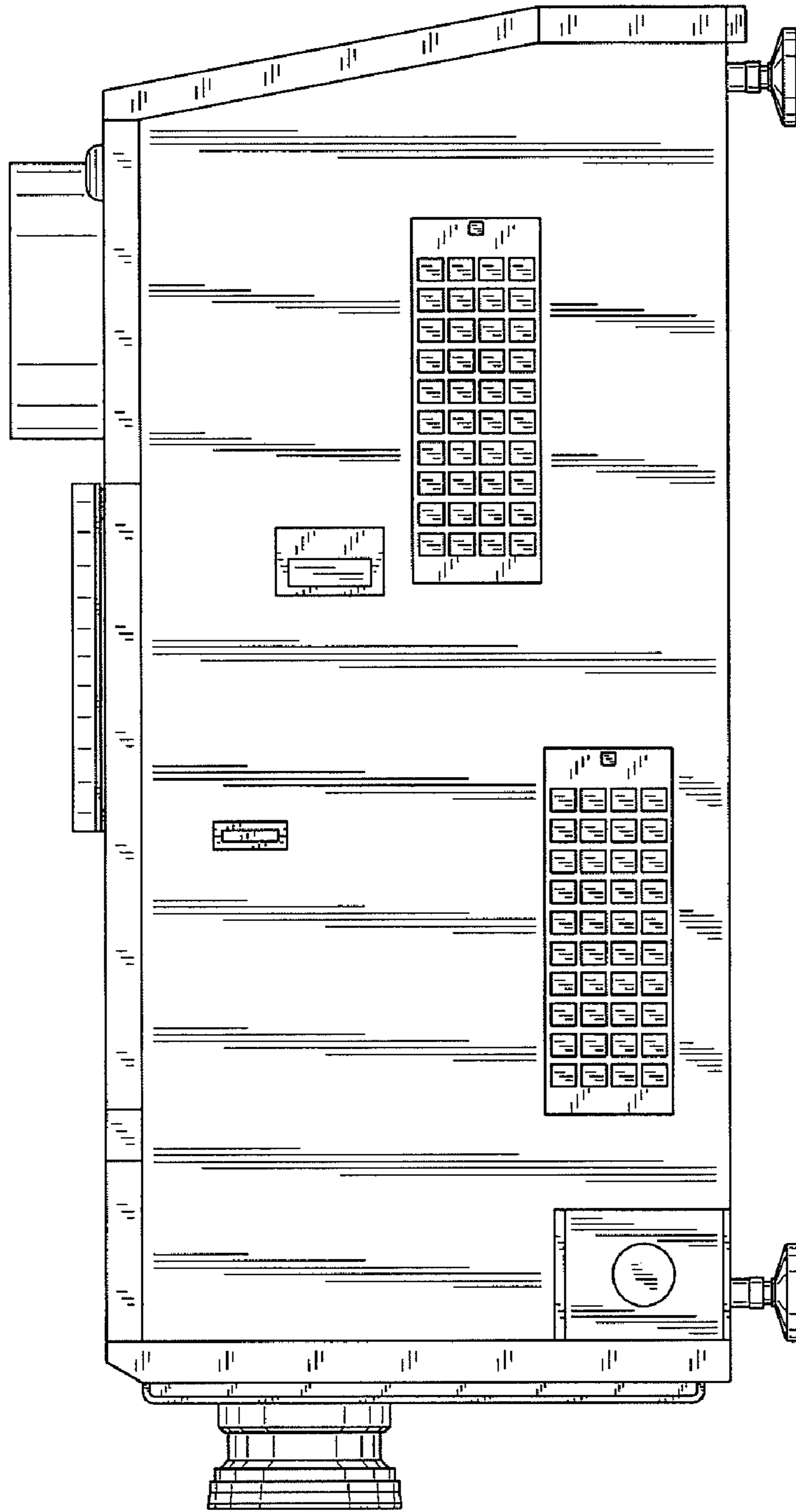


FIG. 6



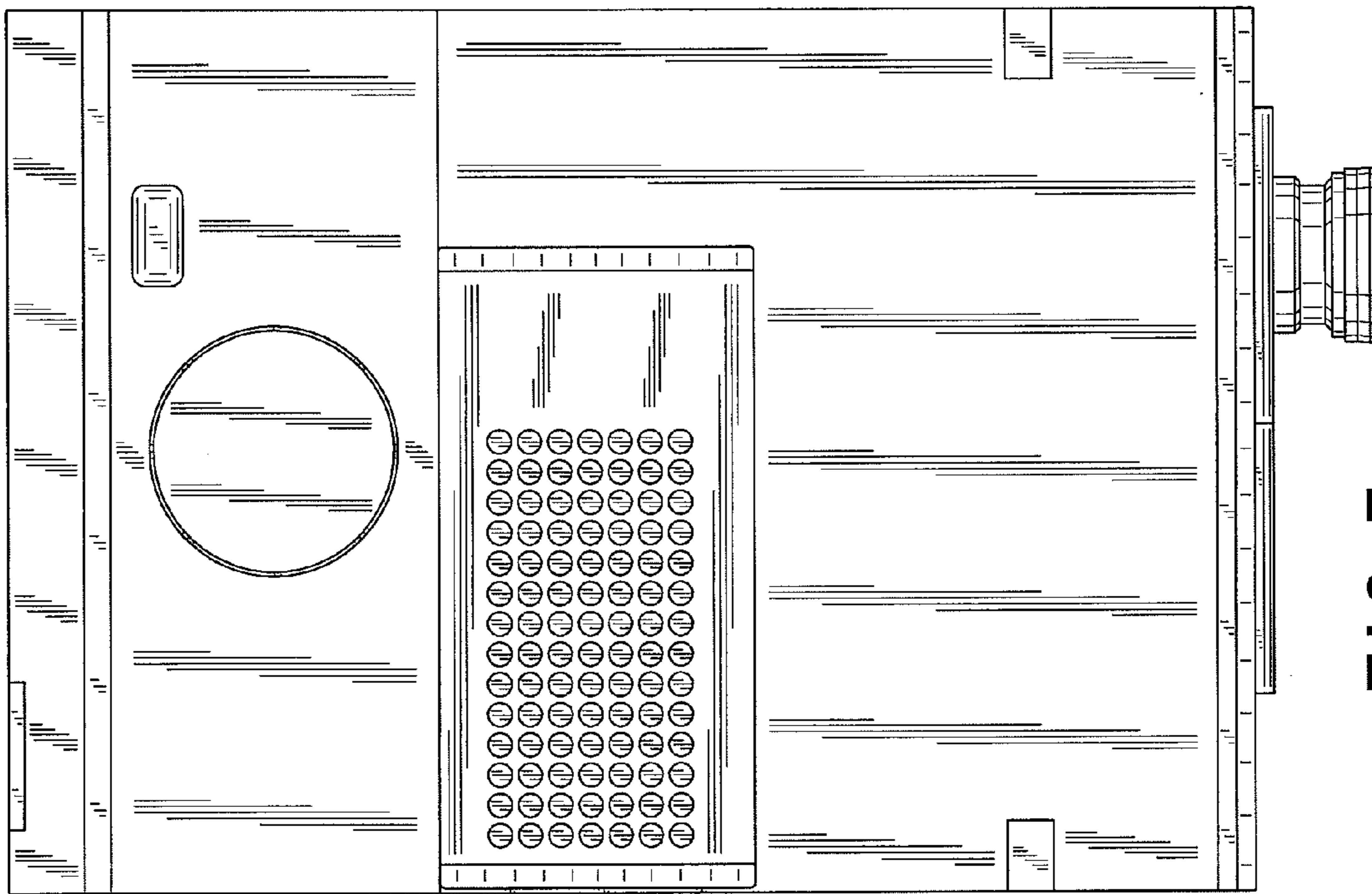


FIG. 7



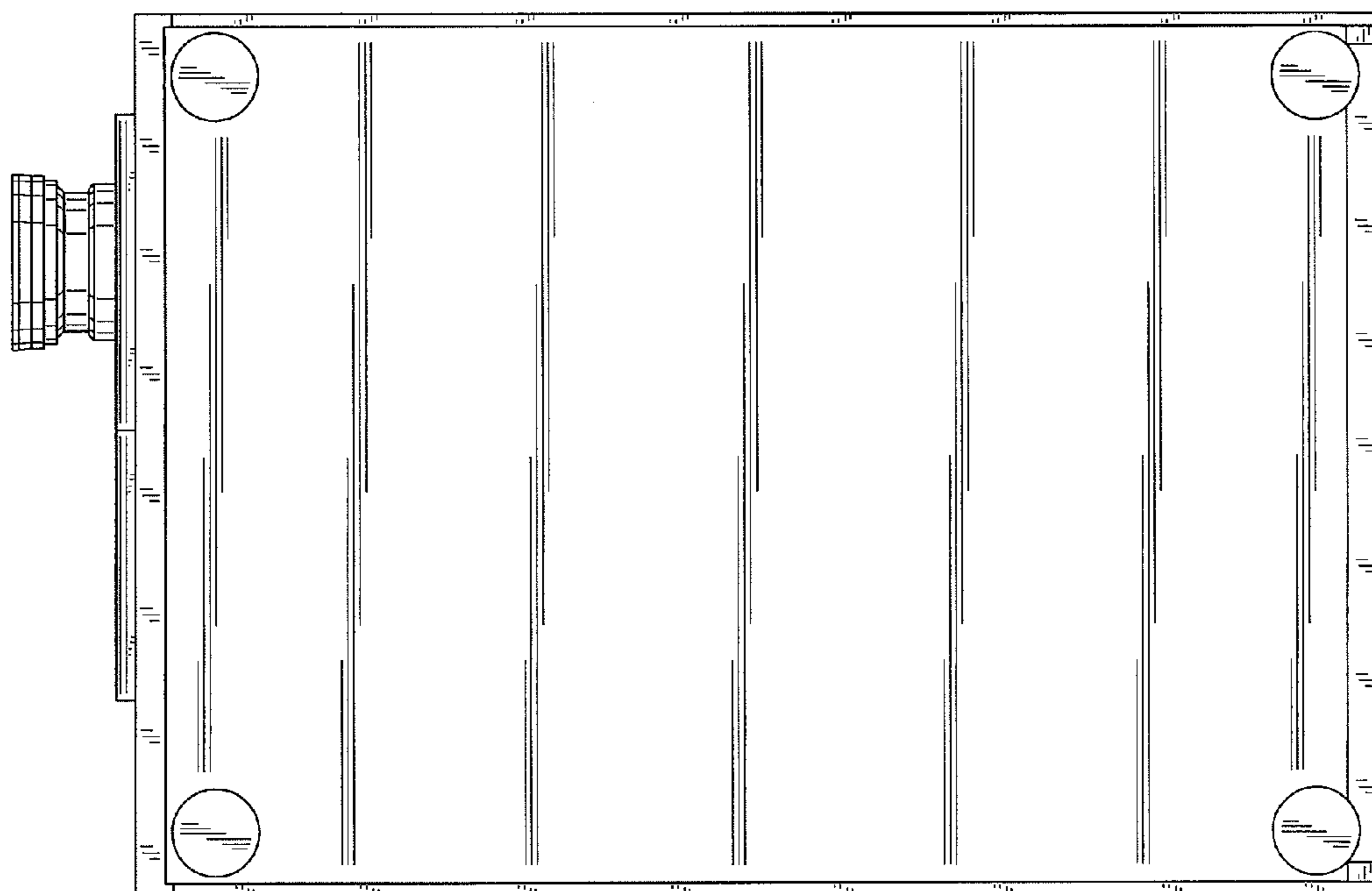


FIG. 8