



US00D622751S

(12) **United States Design Patent**
Oikawa et al.

(10) **Patent No.:** **US D622,751 S**

(45) **Date of Patent:** **** Aug. 31, 2010**

(54) **PORTABLE IMAGE PROJECTOR**

(75) Inventors: **Yuji Oikawa**, Marina Del Ray, CA (US);
Isamu Arie, Santa Monica, CA (US);
Hiroya Fujii, Los Angeles, CA (US)

(73) Assignees: **Sony Corporation**, Tokyo (JP); **Sony Electronics Inc.**, Park Ridge, NJ (US)

(**) Term: **14 Years**

(21) Appl. No.: **29/342,448**

(22) Filed: **Aug. 25, 2009**

(51) **LOC (9) Cl.** **16-02**

(52) **U.S. Cl.** **D16/225**

(58) **Field of Classification Search** D16/200–206,
D16/208, 213–214, 221, 225, 227, 229–230;
D21/514; 353/115, 119, 122; 352/242–243;
D26/67, 89, 76; 362/362, 431
See application file for complete search history.

(56) **References Cited**

U.S. PATENT DOCUMENTS

D119,488 S *	3/1940	DeHaven	D16/221
D145,223 S *	7/1946	Marcus et al.	D16/221
D153,602 S *	5/1949	Halbriter	D16/227
D160,589 S *	10/1950	Gilbert	D16/227
2,630,642 A *	3/1953	Mast et al.	D16/227
D240,460 S *	7/1976	Simonelli	D16/225
D310,231 S *	8/1990	Imada et al.	D16/202
5,599,091 A *	2/1997	Kira	362/294
D395,725 S *	6/1998	West	D26/67
D456,831 S *	5/2002	Mori et al.	D16/225
D498,782 S *	11/2004	Ooshima	D16/235
D505,688 S *	5/2005	Allen	D16/227

D518,081 S *	3/2006	Peard et al.	D16/225
D545,858 S *	7/2007	Li	D16/202
D582,953 S *	12/2008	Chang	D16/202
D589,995 S *	4/2009	Kellar et al.	D16/203
D601,606 S *	10/2009	Pradhan	D16/206

* cited by examiner

Primary Examiner—Ian Simmons

Assistant Examiner—Wan Laymon

(74) *Attorney, Agent, or Firm*—John L. Rogitz

(57) **CLAIM**

The ornamental design for the portable image projector, as shown and described.

DESCRIPTION

FIG. 1 is a perspective view of the portable image projector with the lens cap removed;

FIG. 2 is a bottom perspective view of the portable image projector with the lens cap removed;

FIG. 3 is another perspective view of the portable image projector with the lens cap installed;

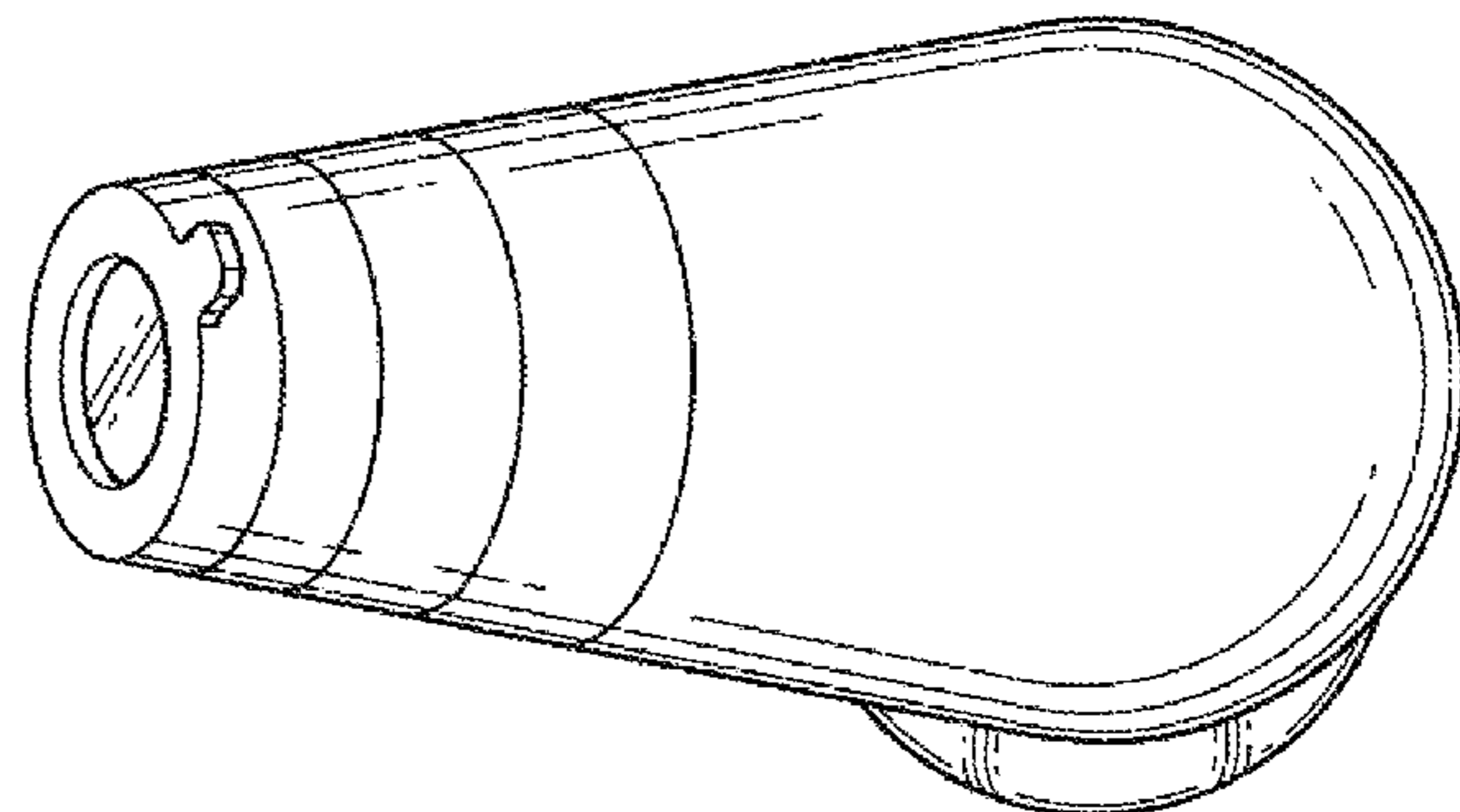
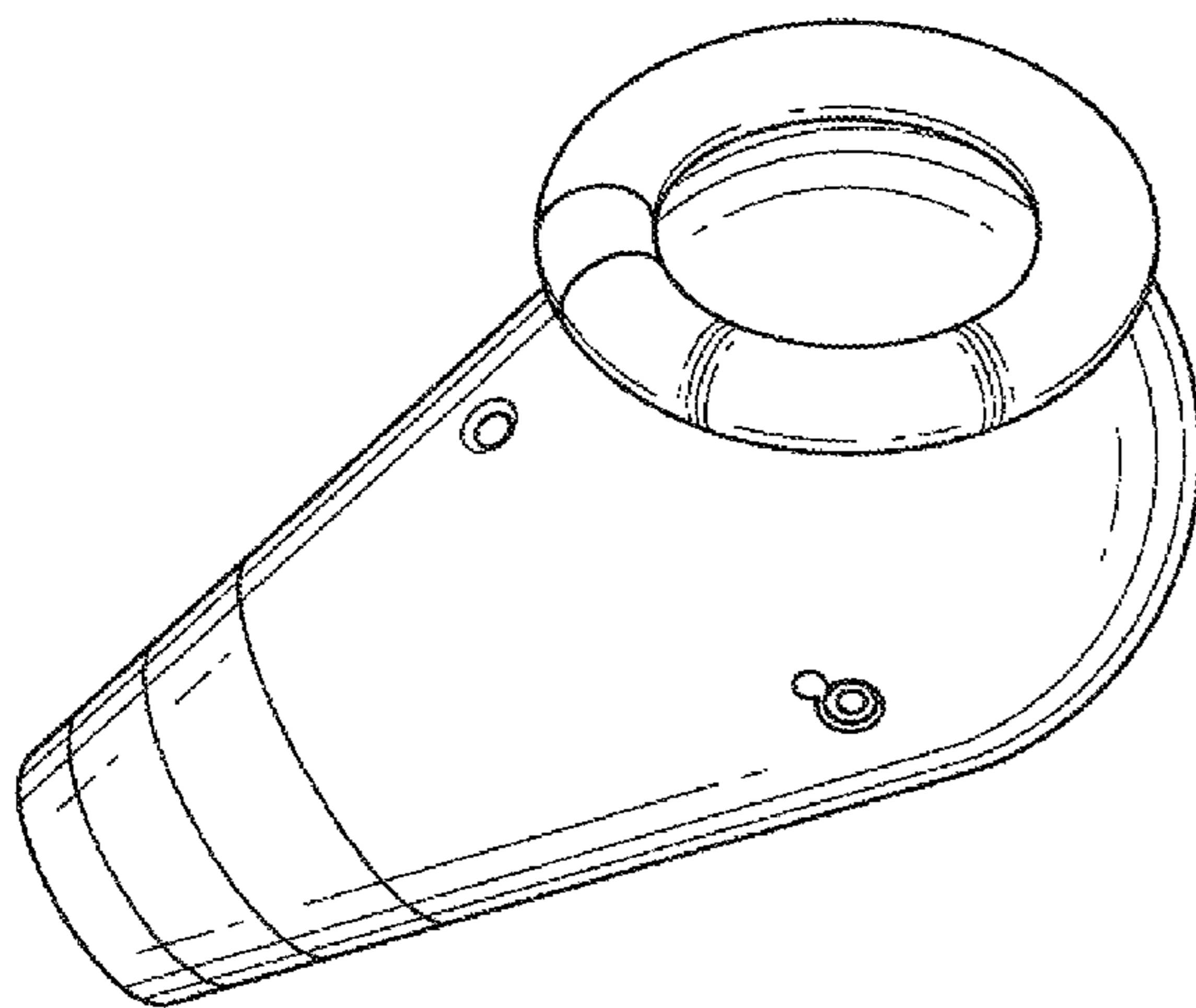
FIG. 4 is a side elevational view of the portable image projector of FIG. 1.

FIG. 5 is a front view of the portable image projector of FIG. 1; and,

FIG. 6 is a rear view of the portable image projector of FIG. 1.

The broken line showing the source of images and connecting cord of a portable image projector is included for the purpose of illustrating environmental structure and forms no part of the claimed design.

1 Claim, 3 Drawing Sheets



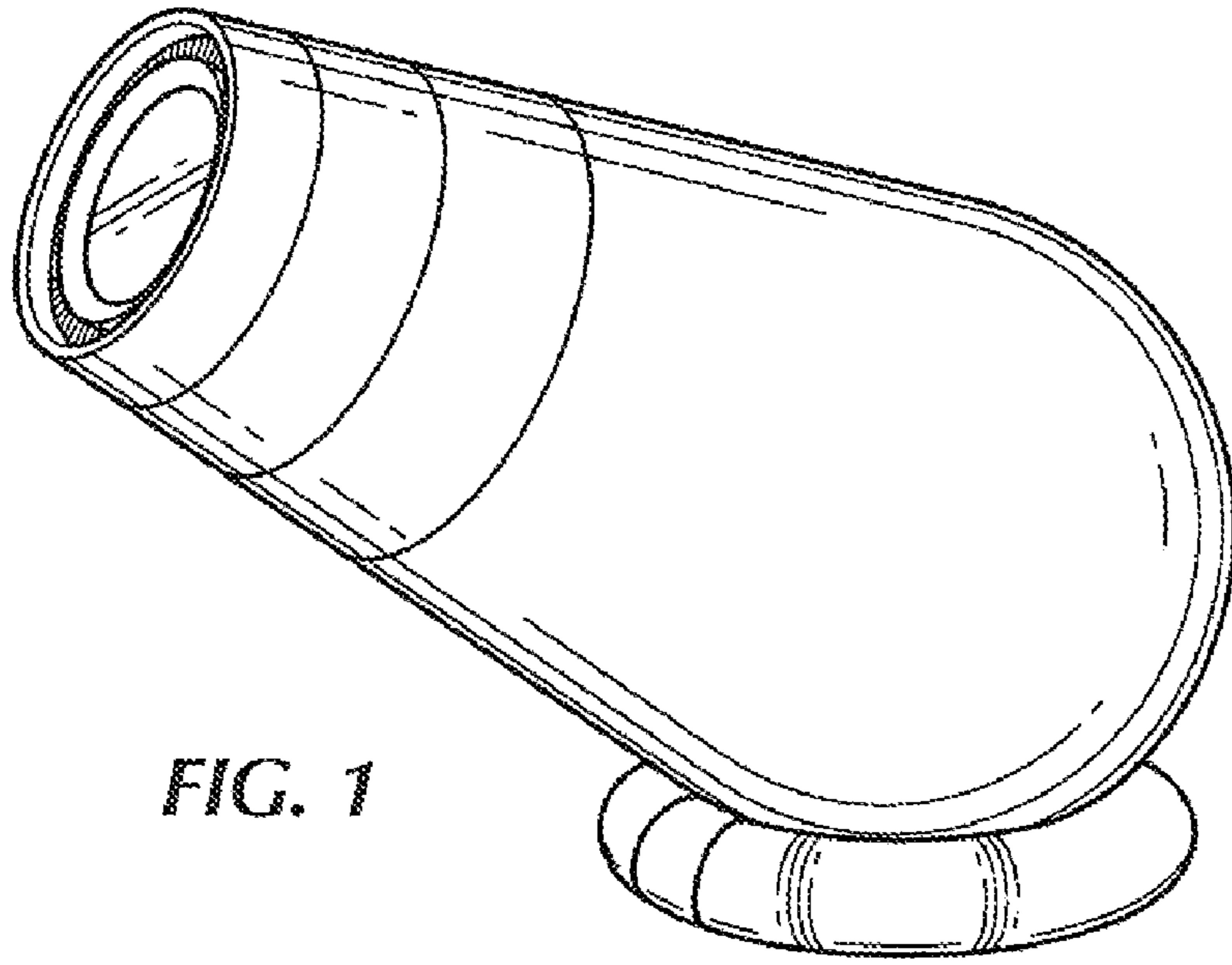


FIG. 1

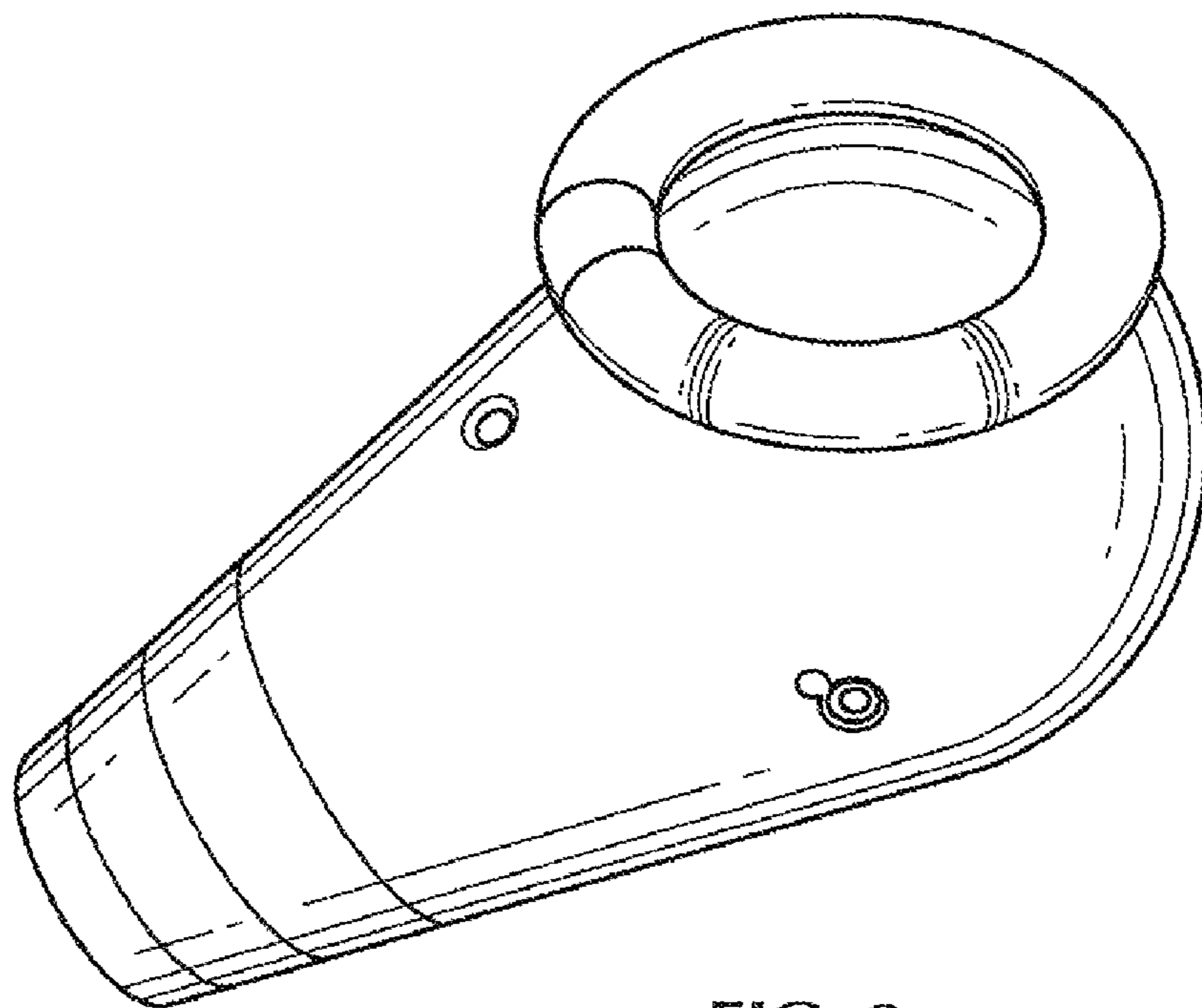


FIG. 2

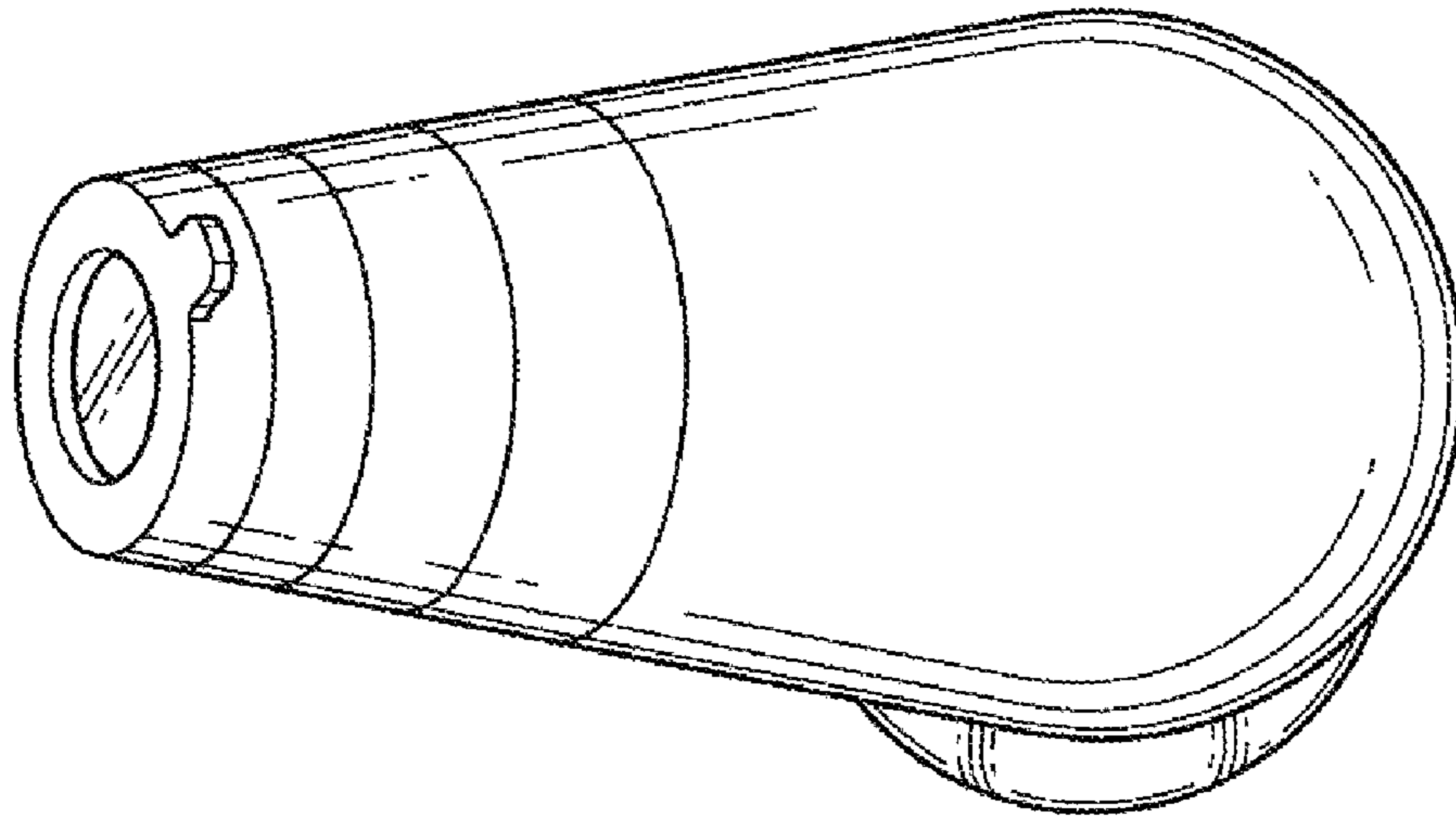


FIG. 3

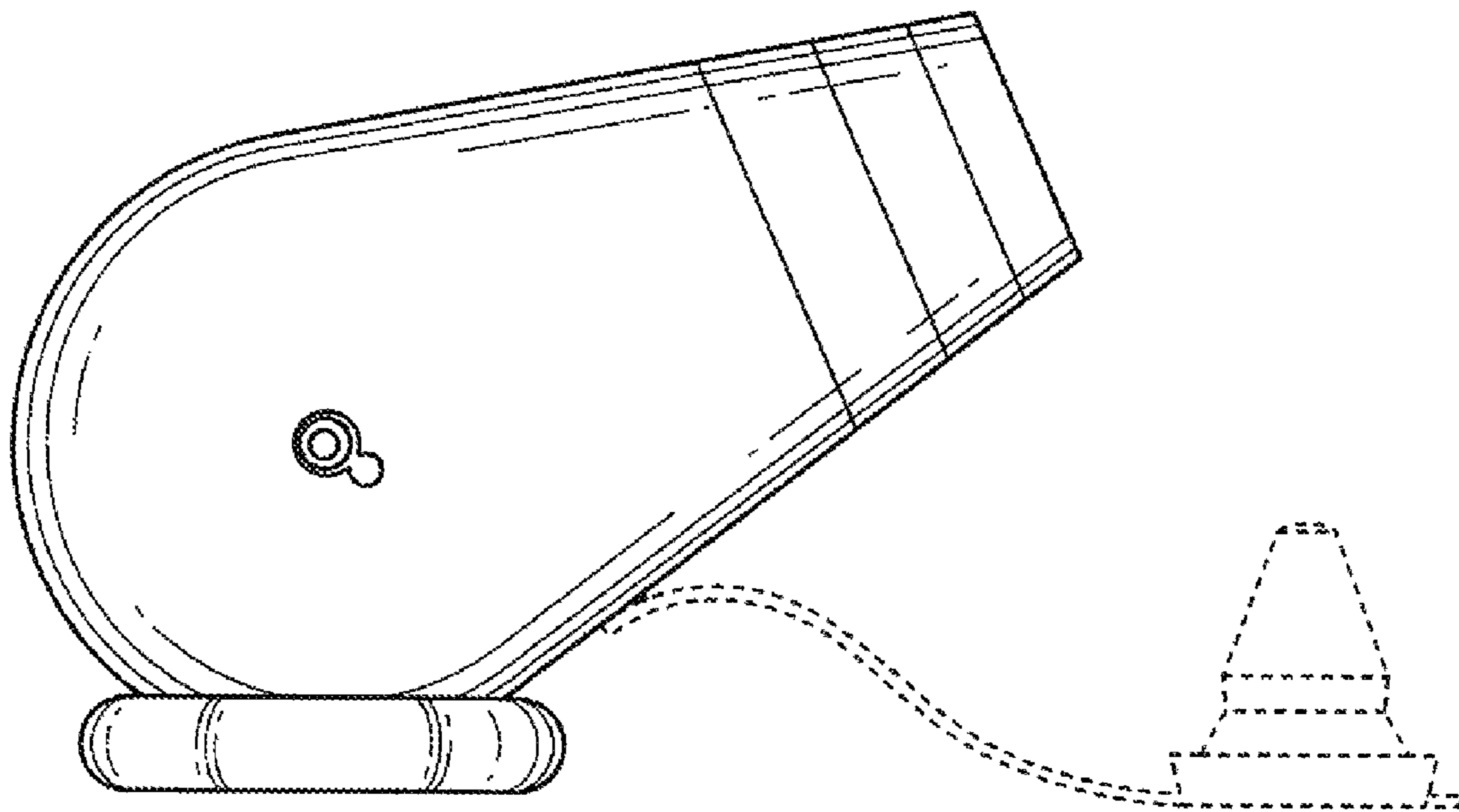


FIG. 4

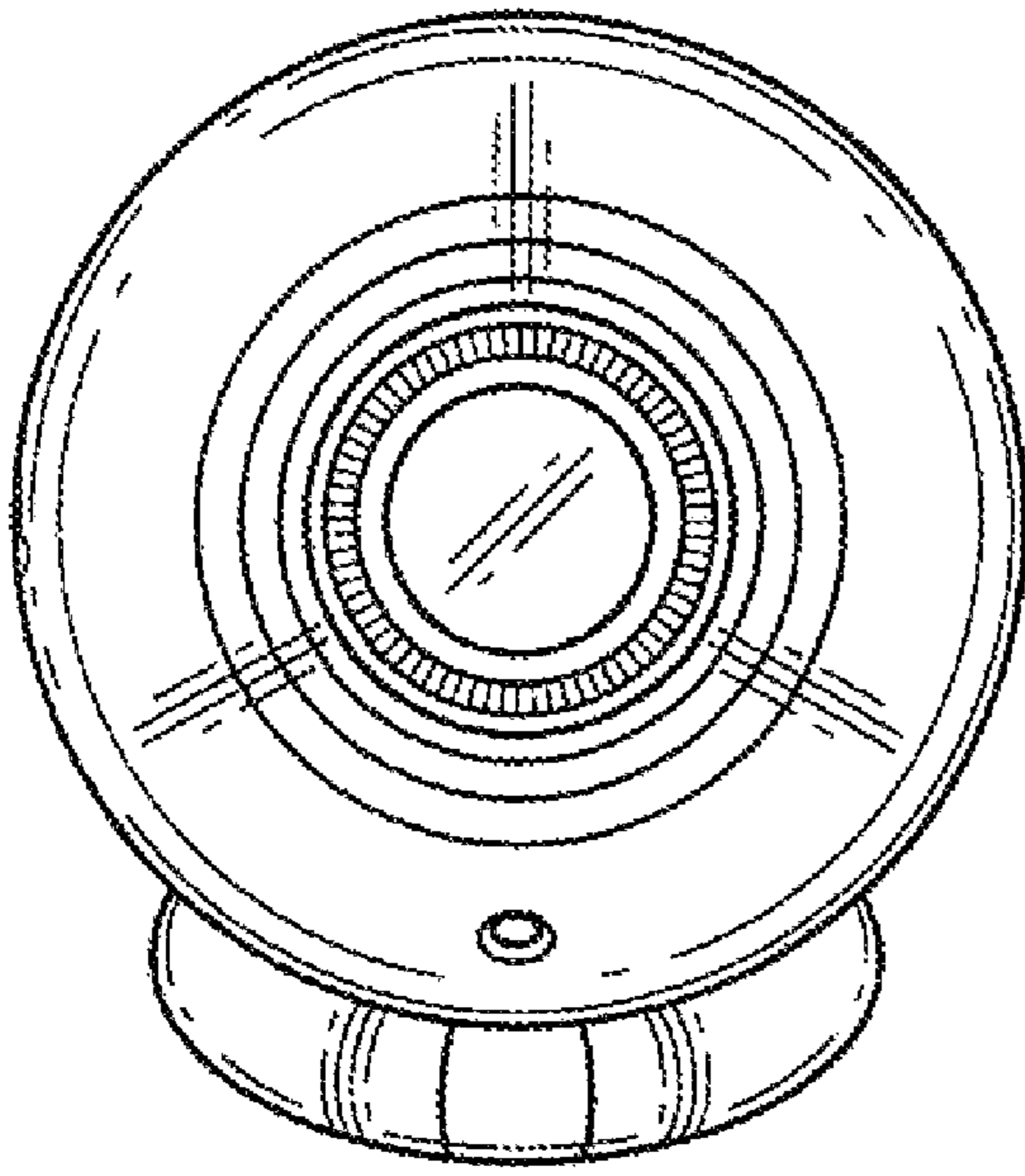


FIG. 5

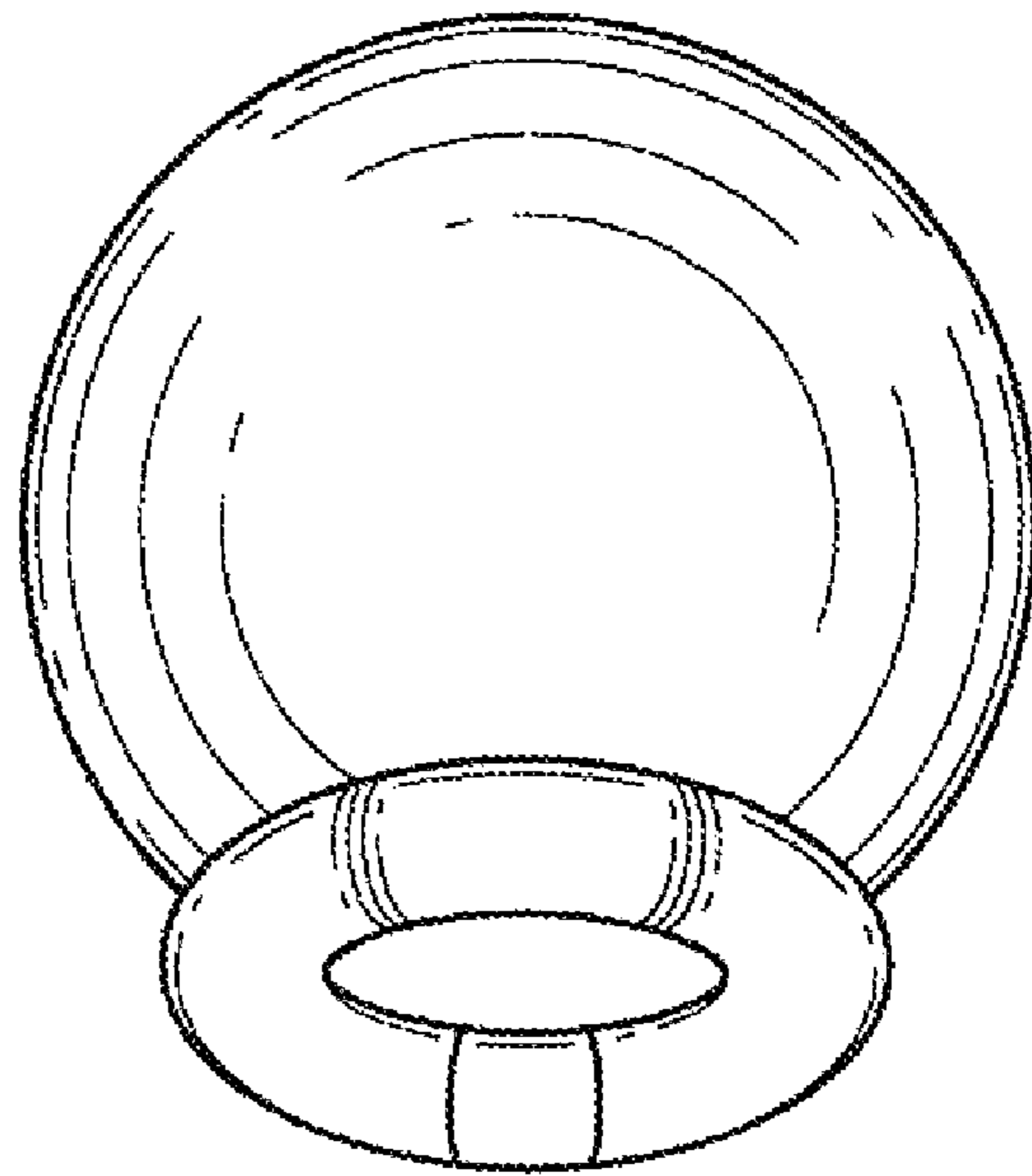


FIG. 6