



US00D622750S

(12) **United States Design Patent**
Funakoshi

(10) **Patent No.:** **US D622,750 S**

(45) **Date of Patent:** **** Aug. 31, 2010**

(54) **PORTION OF A DIGITAL CAMERA**

D565,627 S * 4/2008 Kase D16/219
D609,262 S * 2/2010 Tainaka D16/219
D611,083 S * 3/2010 Ohta D16/219

(75) Inventor: **Yasuo Funakoshi**, Hachioji (JP)

(73) Assignee: **Olympus Imaging Corporation**, Tokyo (JP)

* cited by examiner

Primary Examiner—Adir Aronovich

(**) Term: **14 Years**

(74) *Attorney, Agent, or Firm*—Frishauf, Holtz, Goodman & Chick, P.C.

(21) Appl. No.: **29/332,597**

(57) **CLAIM**

(22) Filed: **Feb. 20, 2009**

The ornamental design for a portion of digital camera, as shown and described.

(30) **Foreign Application Priority Data**

Feb. 4, 2009 (JP) 2009-002313

DESCRIPTION

(51) **LOC (9) Cl.** **16-05**

(52) **U.S. Cl.** **D16/219**

(58) **Field of Classification Search** D16/200–204,
D16/208, 218, 219; 348/373–376; 358/909.1;
396/535–541

FIG. 1 is a rear perspective view of a portion of digital camera, showing my new design;

FIG. 2 is a rear elevational view thereof;

FIG. 3 is a front elevational view thereof;

FIG. 4 is a top plan view thereof;

FIG. 5 is a bottom plan view thereof; and,

FIG. 6 is a right side elevational view thereof; the opposite side being a mirror image thereof.

See application file for complete search history.

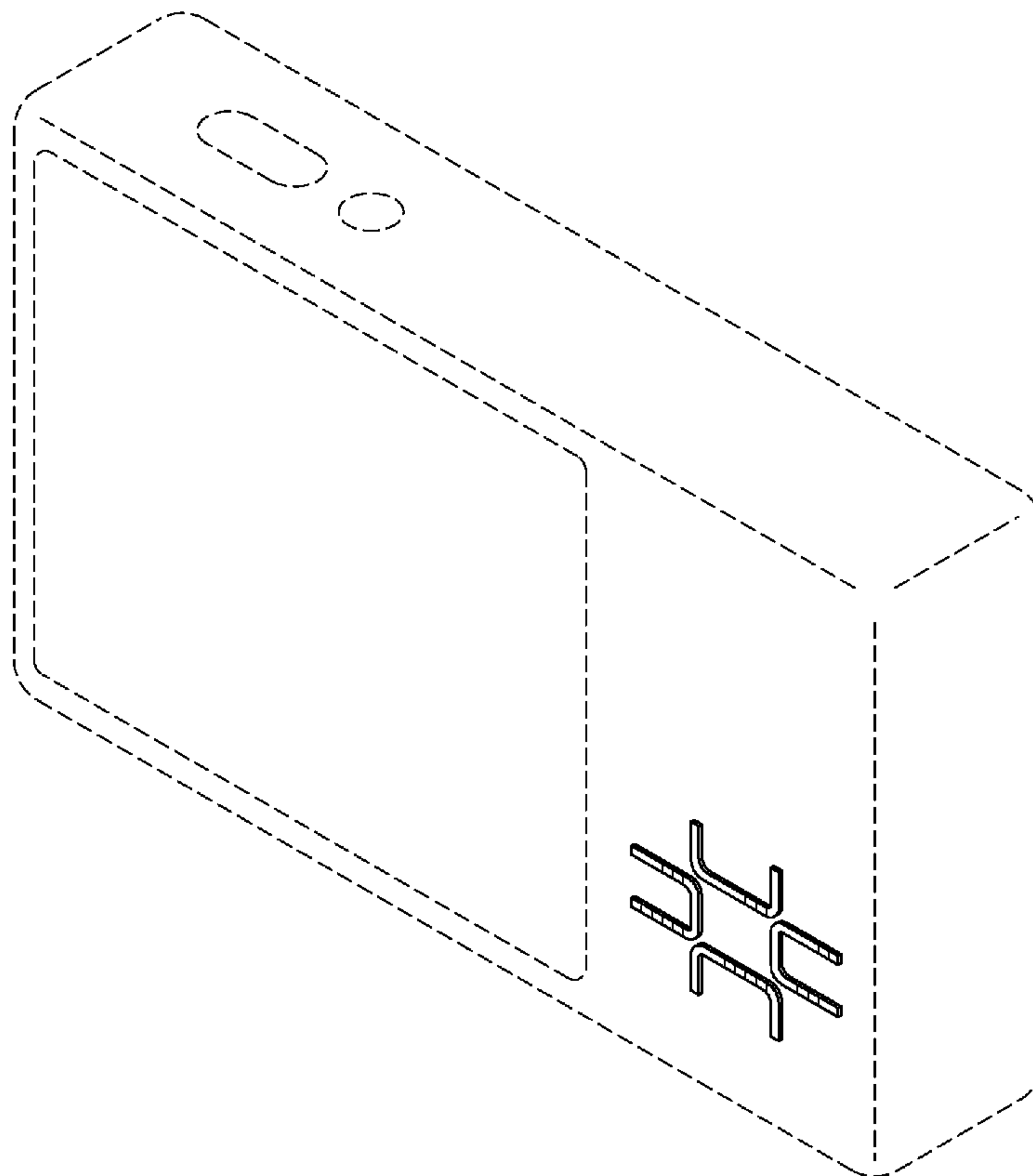
The broken lines are for illustrative purposes only and form no part of the claimed design.

(56) **References Cited**

U.S. PATENT DOCUMENTS

D482,379 S * 11/2003 Utsunomiya D16/219
D486,848 S * 2/2004 Yamamoto D16/219
D542,322 S * 5/2007 Miyashita D16/218
D547,350 S * 7/2007 Tainaka D16/219

1 Claim, 4 Drawing Sheets



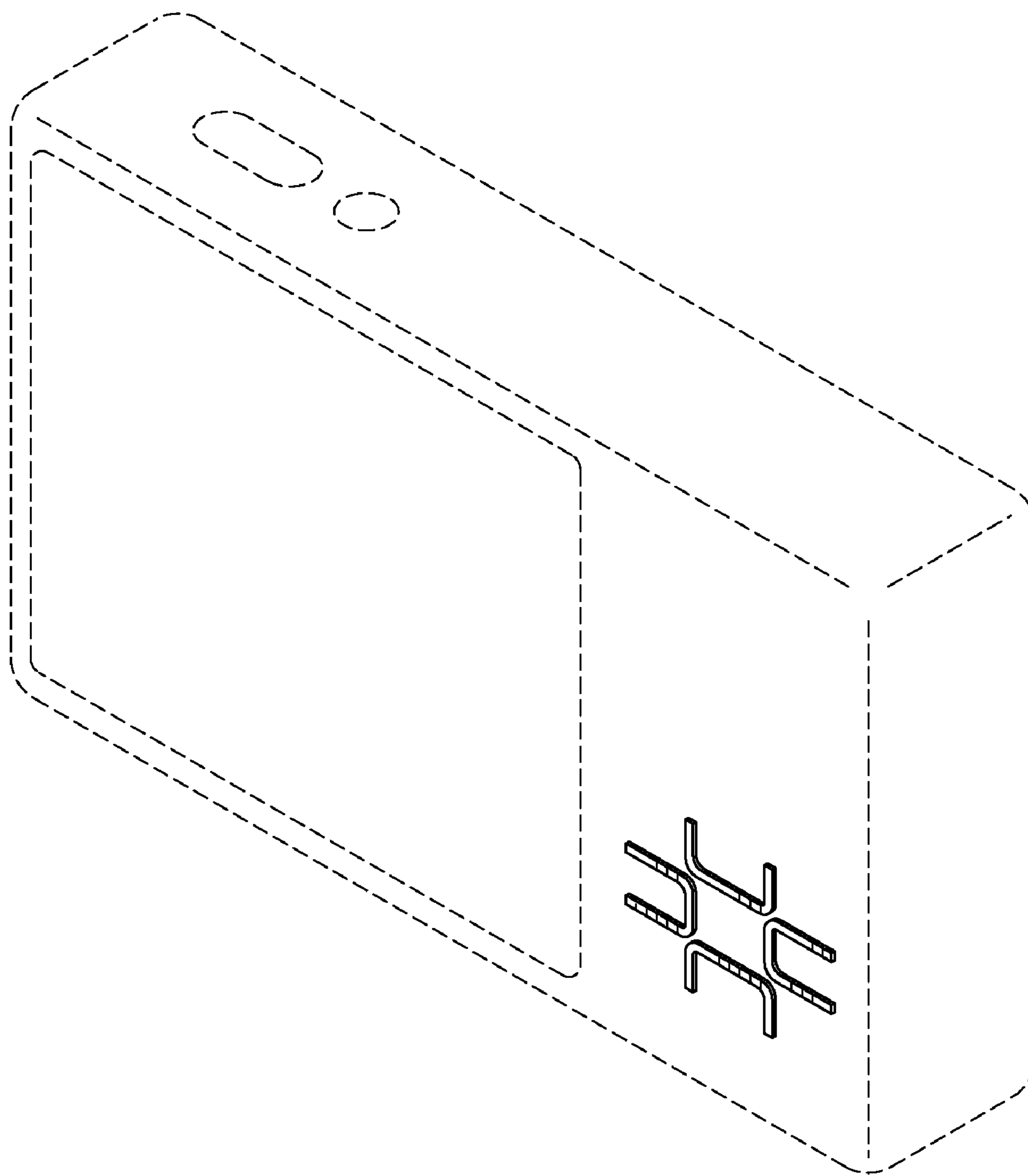


FIG. 1

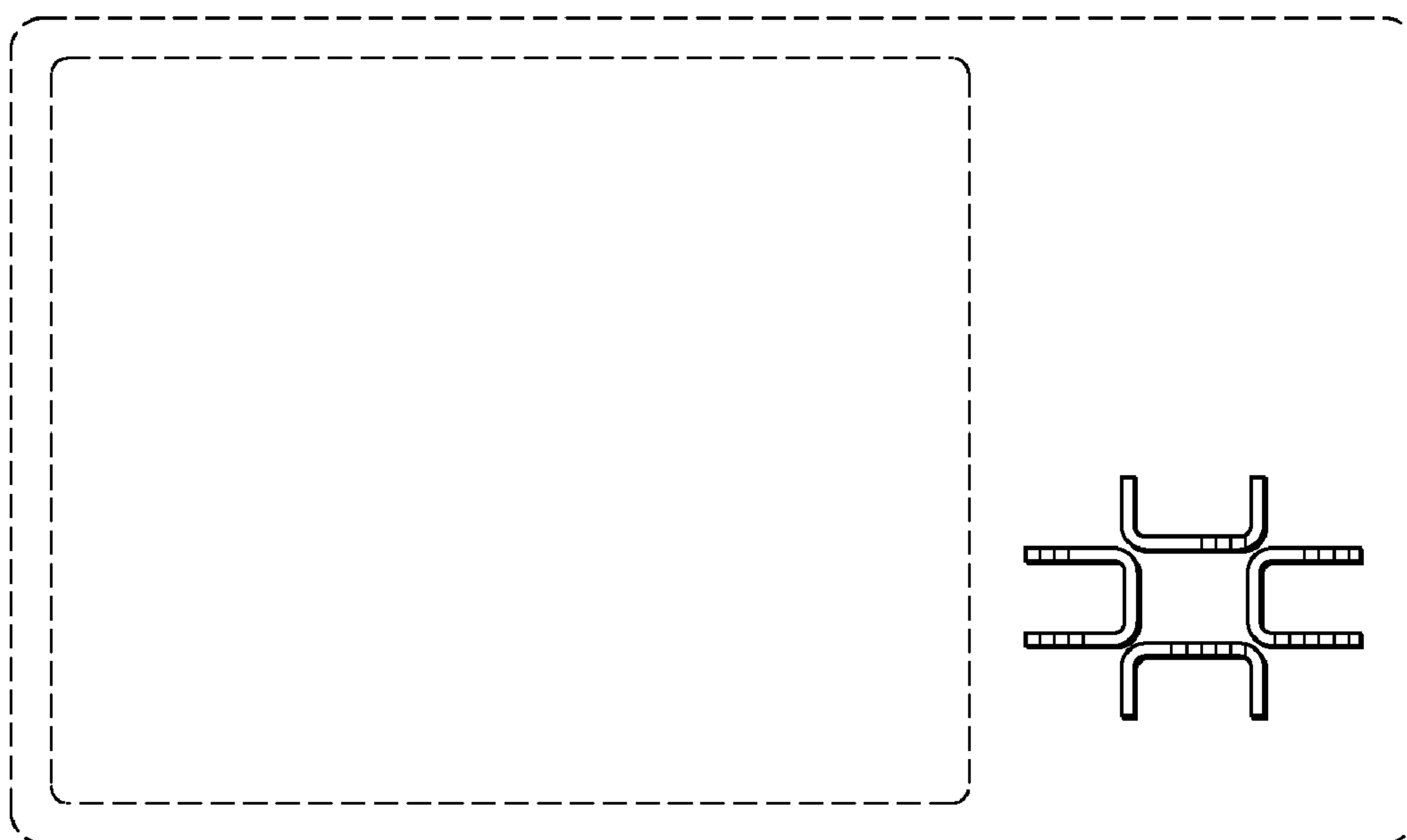


FIG. 2

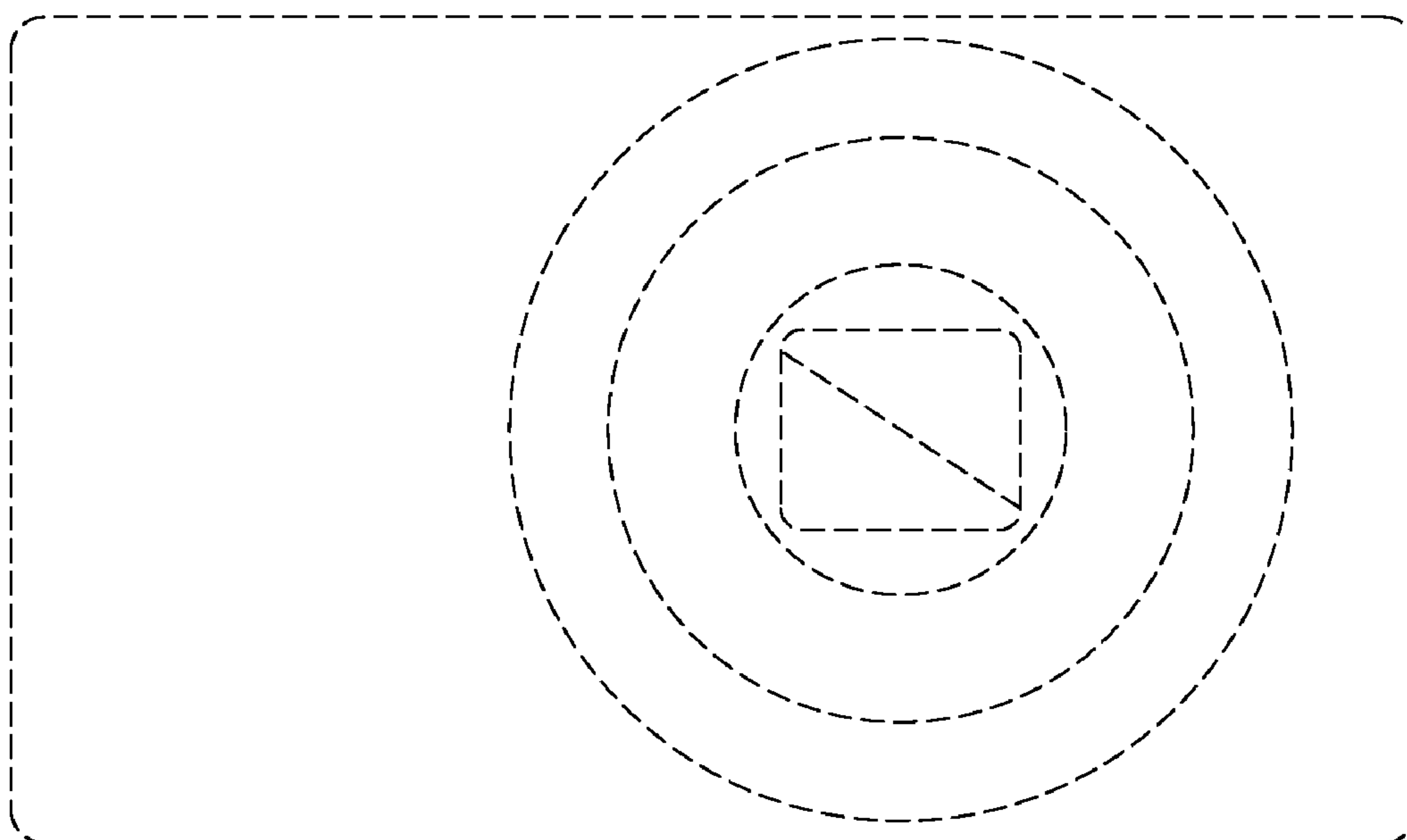


FIG. 3



FIG. 4



FIG. 5

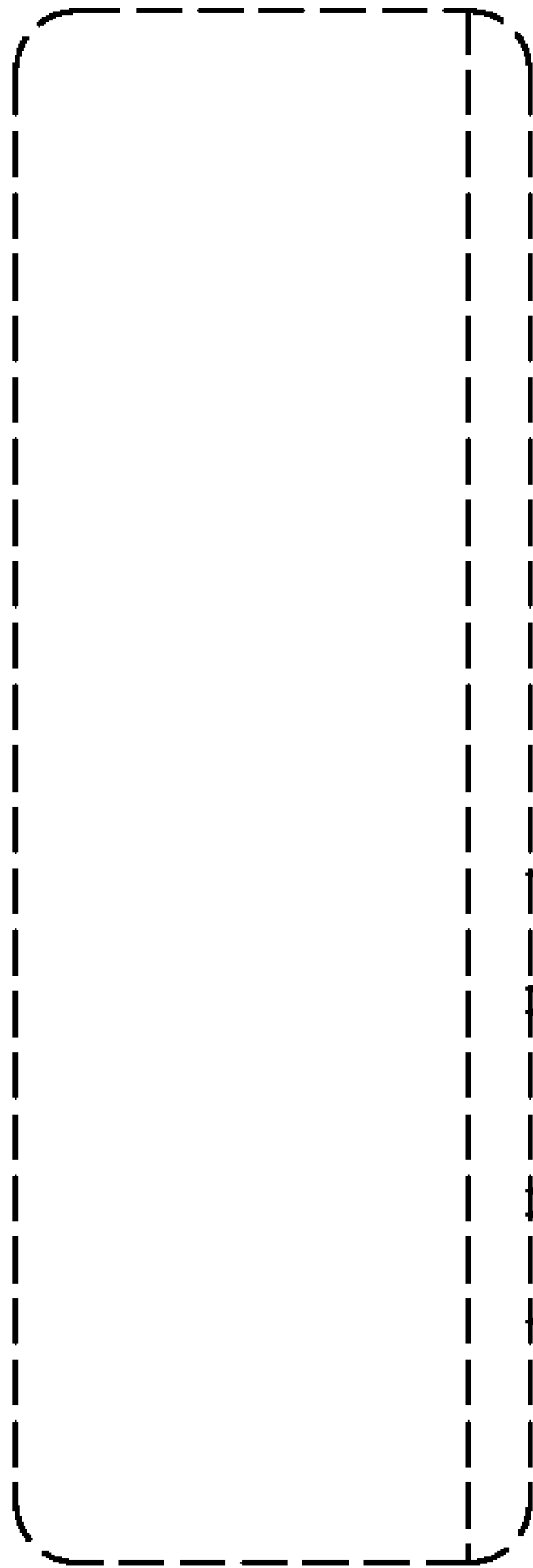


FIG. 6