



US00D622749S

(12) **United States Design Patent**  
**Lian**

(10) **Patent No.:** **US D622,749 S**

(45) **Date of Patent:** **\*\* Aug. 31, 2010**

(54) **INFRARED DIGITAL TRAIL CAMERA**

D523,886 S \* 6/2006 Wen et al. .... D16/203

(76) Inventor: **Chao Lian**, 6B, SangDa YaYuan, HuaFa  
North Rd., FuTran District, Shenzhen  
(CN)

\* cited by examiner

*Primary Examiner*—Adir Aronovich  
(74) *Attorney, Agent, or Firm*—Raymond Y. Chan; David and  
Raymond Patent Firm

(\*\*) Term: **14 Years**

(21) Appl. No.: **29/316,837**

(57) **CLAIM**

(22) Filed: **Nov. 6, 2009**

The ornamental design for an infrared digital trail camera, as  
shown and described.

(51) **LOC (9) Cl.** ..... **16-01**

(52) **U.S. Cl.** ..... **D16/203**

(58) **Field of Classification Search** ..... D16/200–204,  
D16/208, 218; 348/143, 164, 373–376; 396/427  
See application file for complete search history.

**DESCRIPTION**

FIG. 1 is a rear, top and right side perspective view of an  
infrared digital trail camera showing my new design.

FIG. 2 is a top plan view thereof.

FIG. 3 is a bottom plan view thereof.

FIG. 4 is a left side elevational view thereof.

FIG. 5 is a right side elevational view thereof.

FIG. 6 is a front elevational view thereof; and,

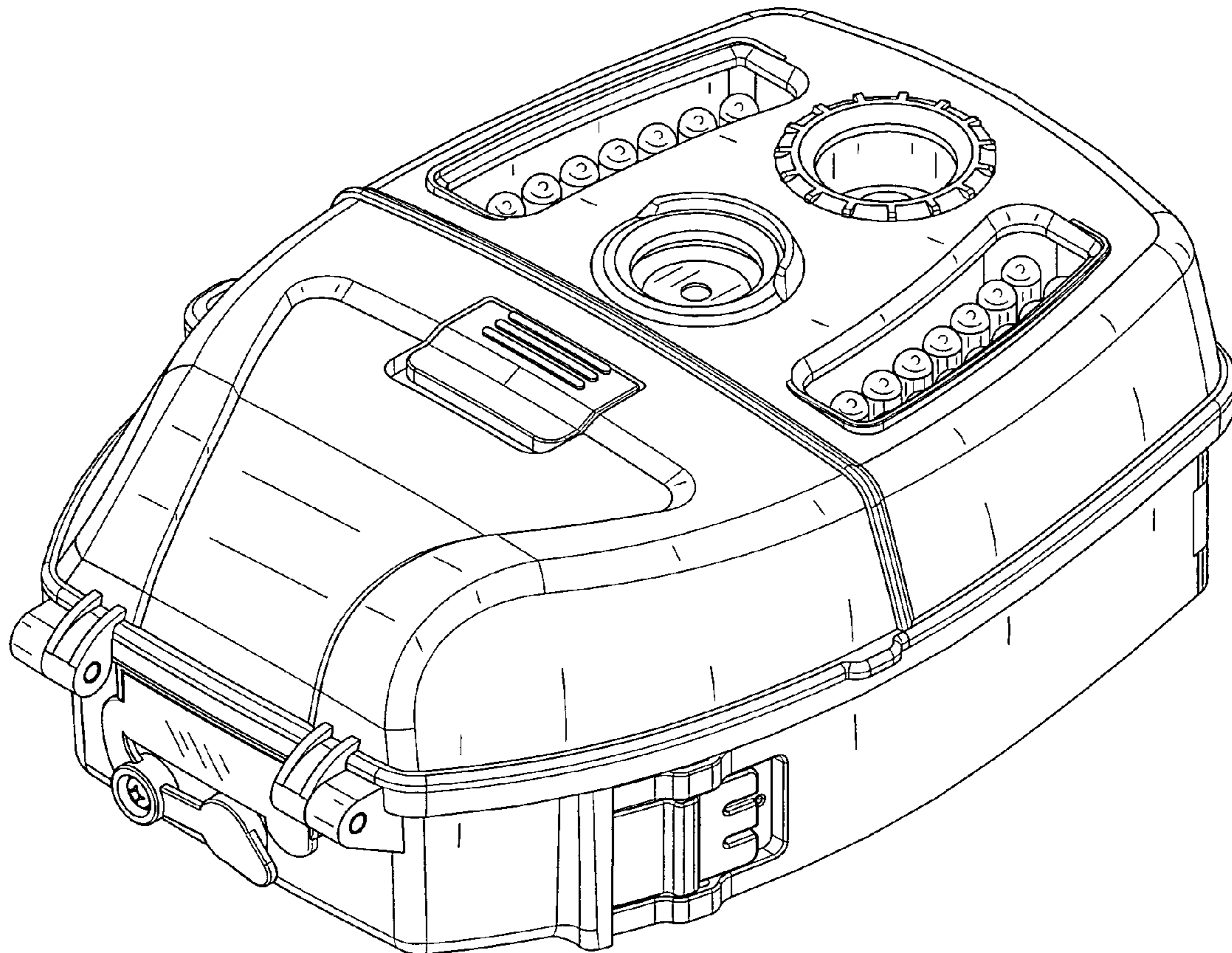
FIG. 7 is a rear elevational view thereof.

(56) **References Cited**

**U.S. PATENT DOCUMENTS**

4,394,692	A *	7/1983	Randmae et al. ....	348/374
D349,907	S *	8/1994	Allmendinger ....	D16/202
D439,588	S *	3/2001	Bergstrom et al. ....	D16/203
6,449,431	B1 *	9/2002	Cuddeback et al. ....	396/427
6,834,162	B1 *	12/2004	Schnell ....	396/427

**1 Claim, 7 Drawing Sheets**



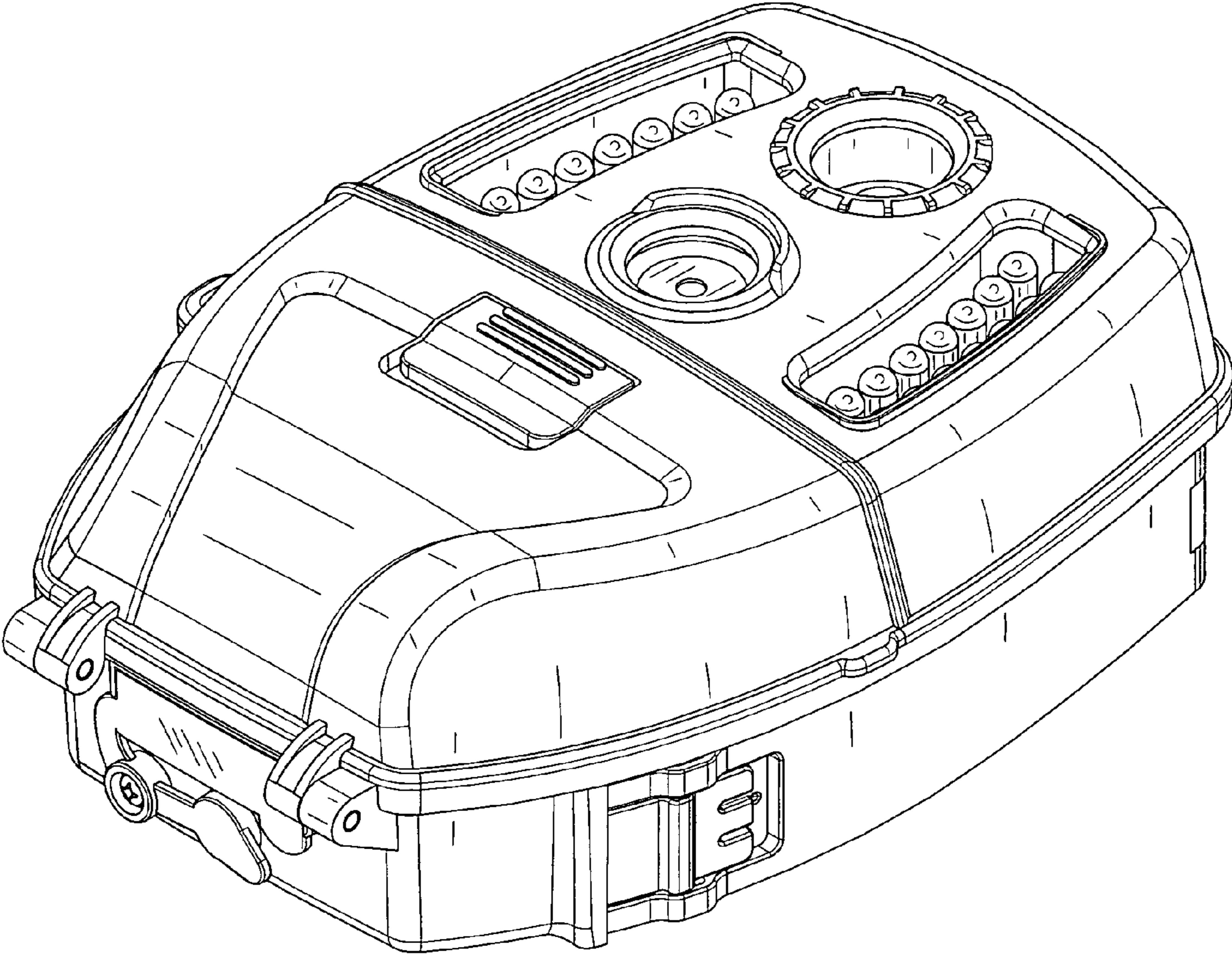


FIG.1

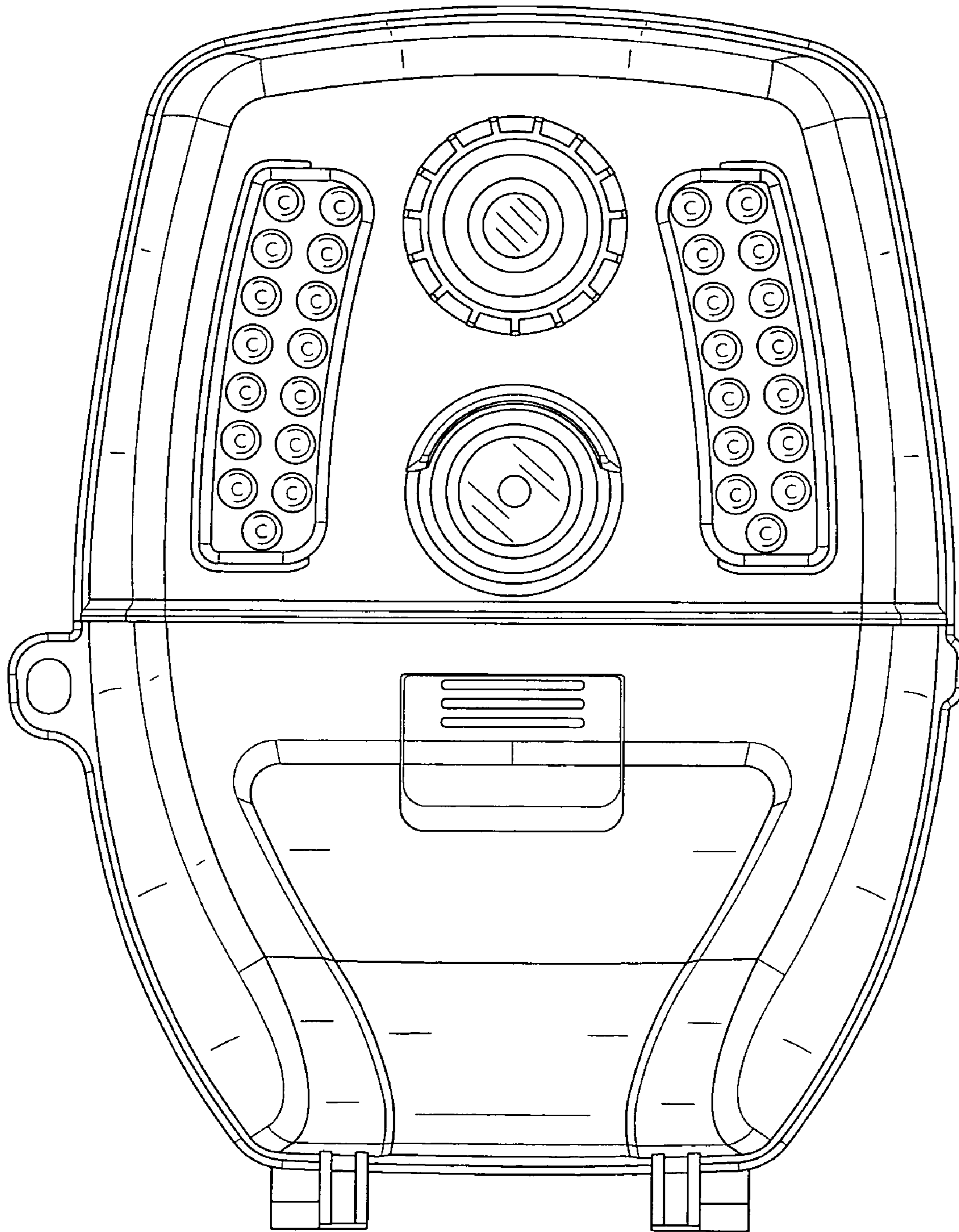


FIG.2

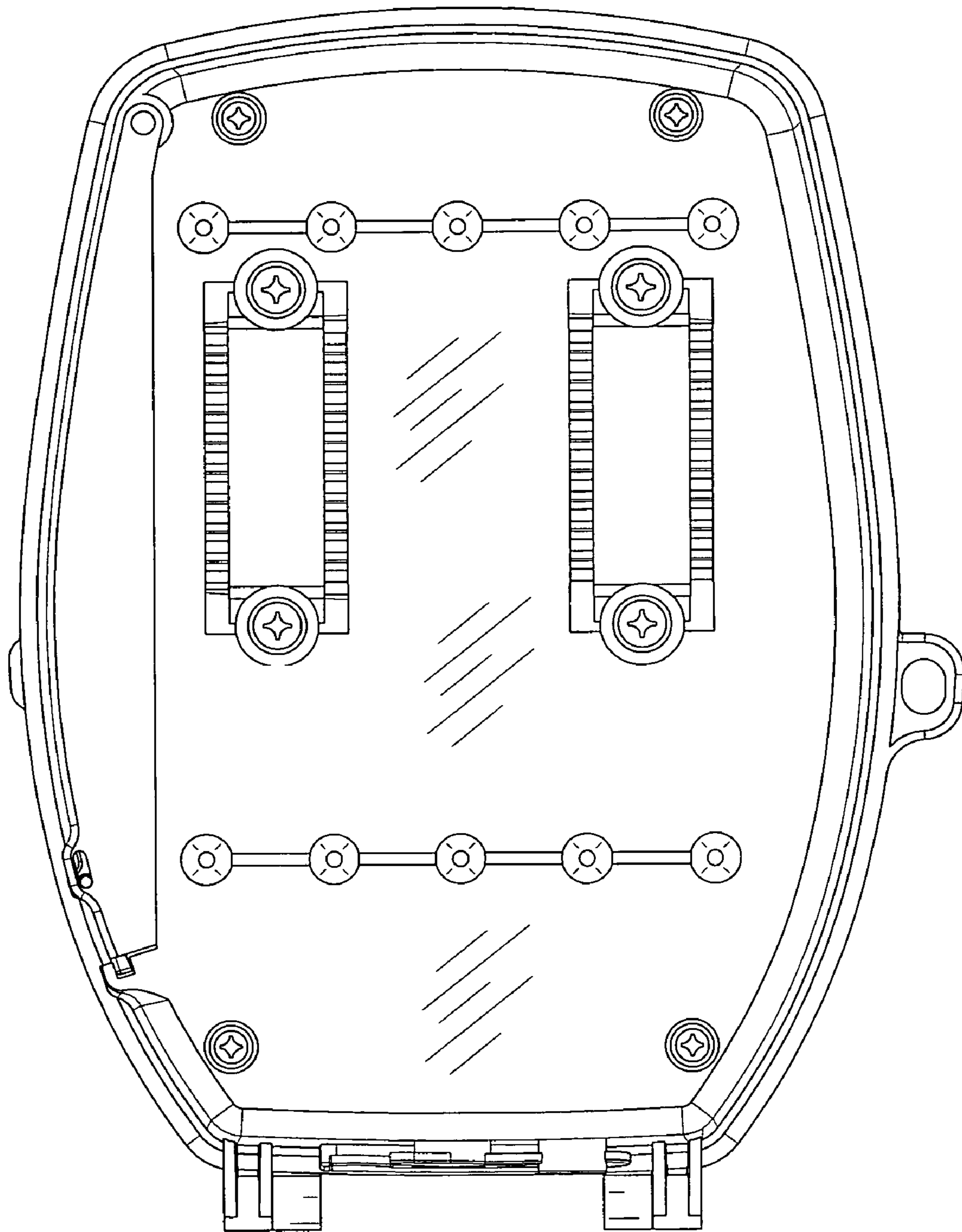


FIG.3

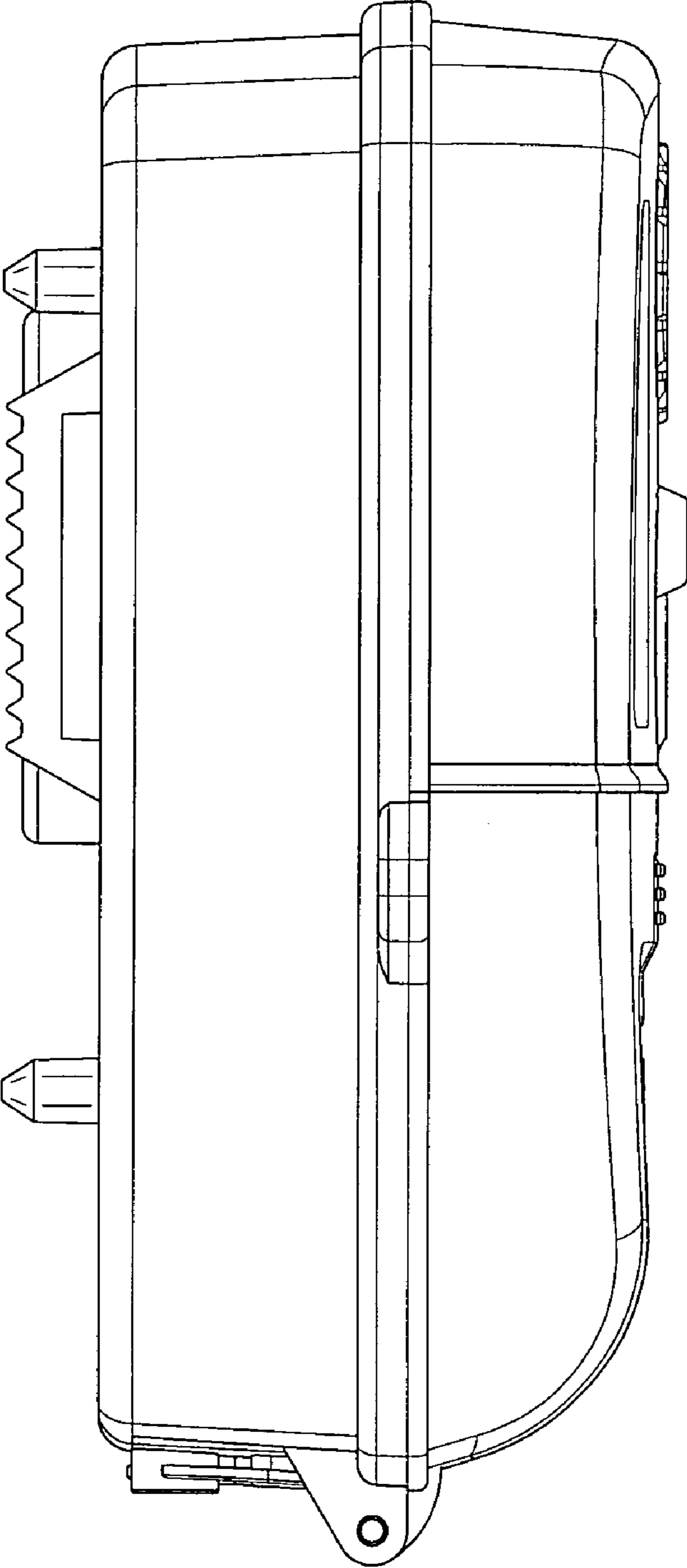


FIG.4

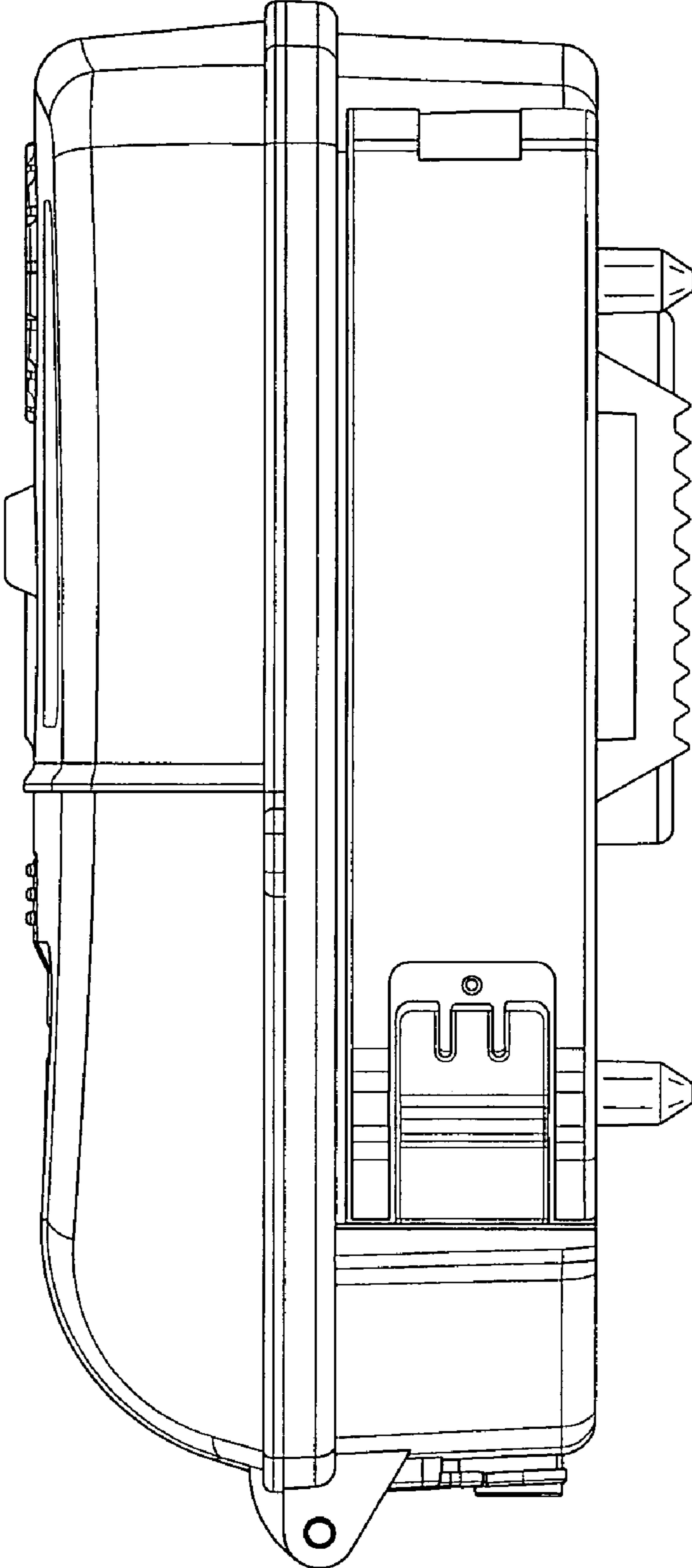


FIG.5

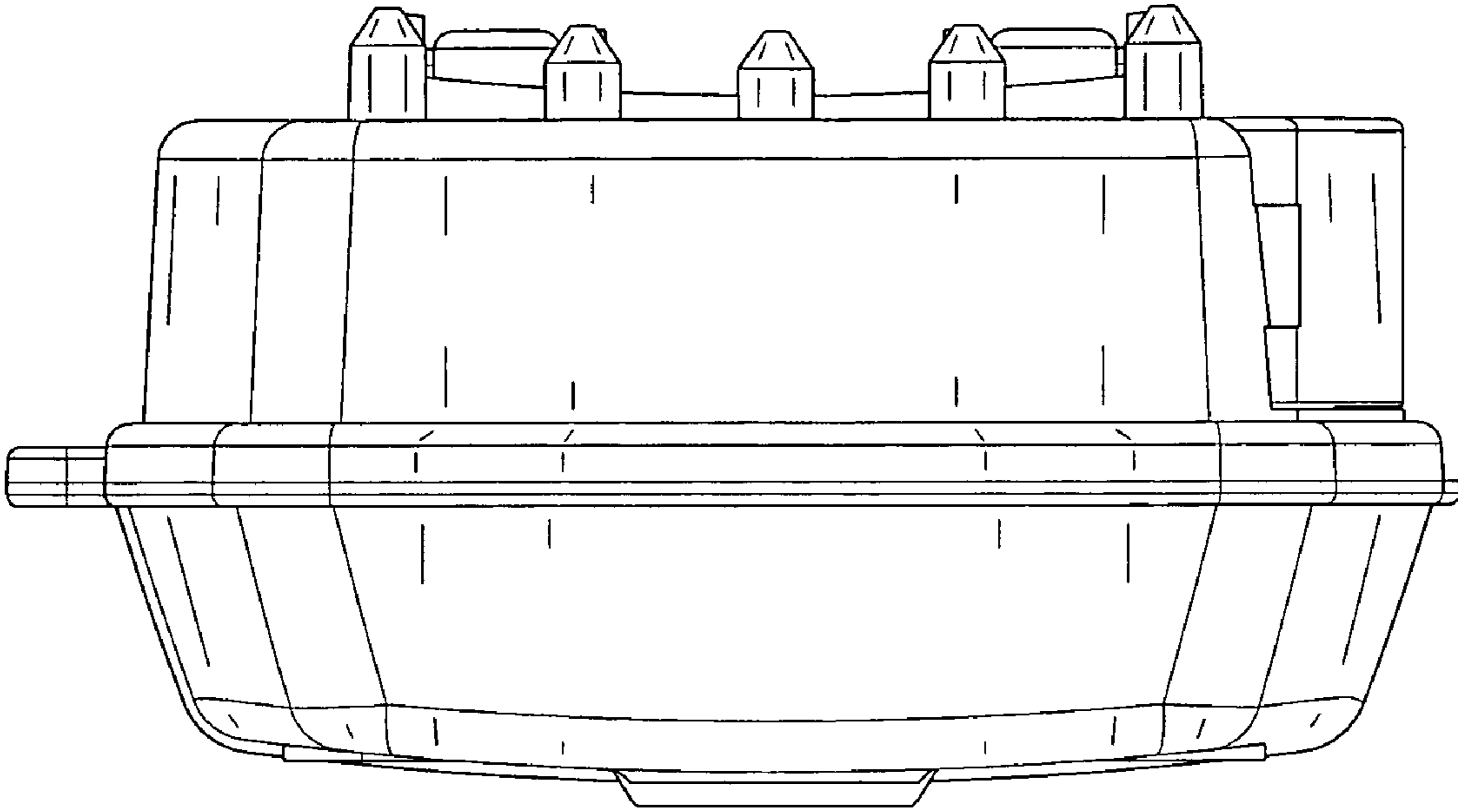


FIG.6

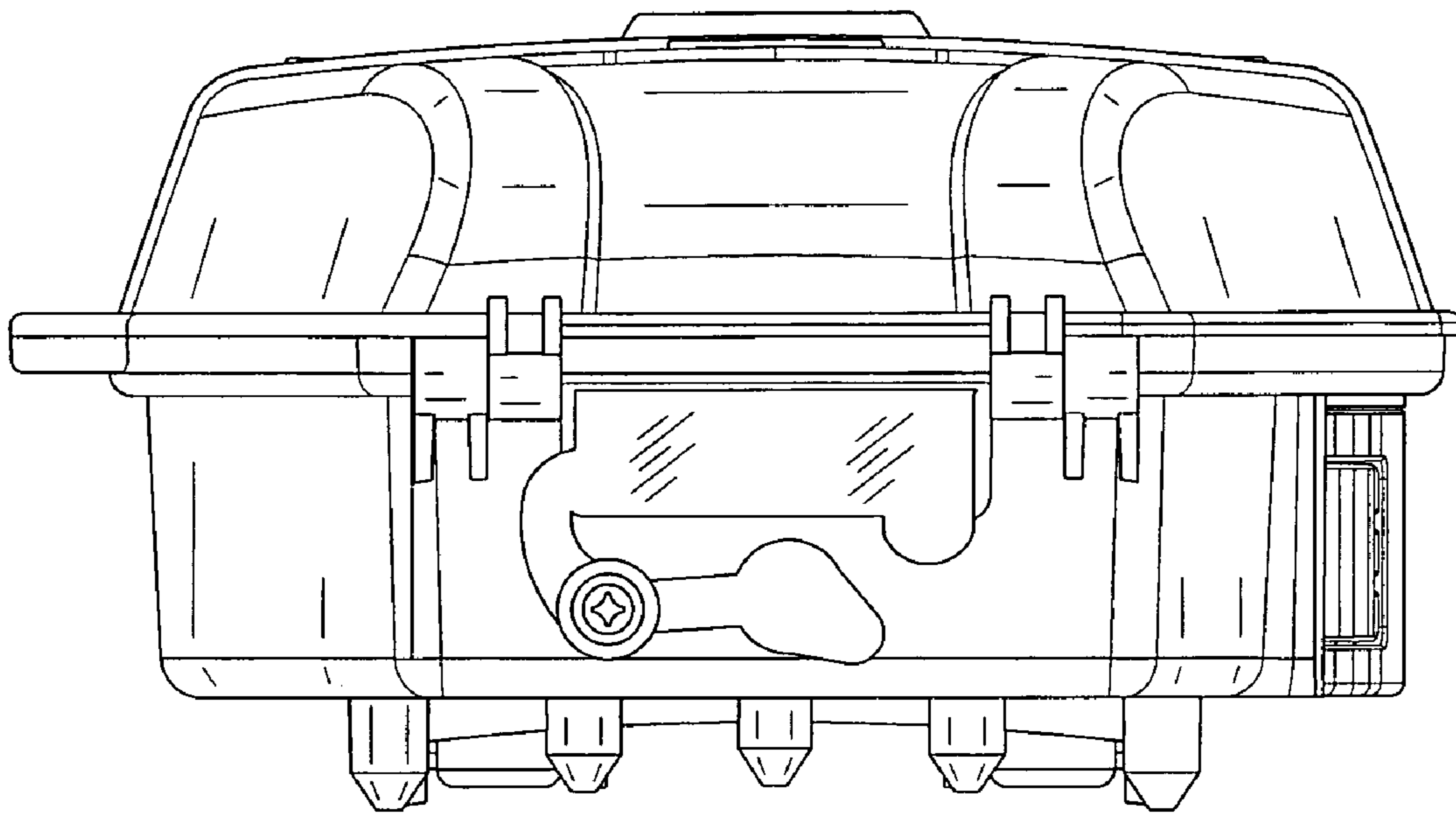


FIG.7