



US00D622747S

(12) **United States Design Patent**
Kobayashi et al.

(10) **Patent No.:** **US D622,747 S**

(45) **Date of Patent:** **** Aug. 31, 2010**

(54) **WAGON ROBOT**

(75) Inventors: **Shoichi Kobayashi**, Osaka (JP); **Mizuho Sakakibara**, Osaka (JP)

(73) Assignee: **Panasonic Corporation**, Osaka (JP)

(**) Term: **14 Years**

(21) Appl. No.: **29/358,413**

(22) Filed: **Mar. 26, 2010**

(30) **Foreign Application Priority Data**

Oct. 14, 2009 (JP) 2009-023979

(51) **LOC (9) Cl.** **15-99**

(52) **U.S. Cl.** **D15/199**

(58) **Field of Classification Search** D15/199;
D21/578, 593, 594, 621; 74/490.01, 490.02,
74/490.03, 490.05; 219/124.34, 639; 222/129,
222/129.3; 318/560, 568.12, 568.2; 446/268-274,
446/279, 280, 289-292, 298, 300, 353, 354,
446/376, 378-384; 700/99, 150, 264, 281

See application file for complete search history.

(56) **References Cited**

U.S. PATENT DOCUMENTS

- D272,933 S * 3/1984 Murakami D21/578
- D290,146 S * 6/1987 Horiuchi D21/578
- D294,841 S * 3/1988 Beley D21/578
- D304,962 S * 12/1989 Watanabe D21/578
- D314,401 S * 2/1991 Lehman et al. D20/3
- 5,413,454 A * 5/1995 Movsesian 414/729
- D410,476 S * 6/1999 Gomi et al. D15/199
- D460,503 S * 7/2002 Koshiishi et al. D21/578
- 7,142,945 B2 * 11/2006 Wang et al. 700/245

D572,739 S * 7/2008 Jennings et al. D15/199

* cited by examiner

Primary Examiner—Sandra Snapp

Assistant Examiner—Patricia Palasik

(74) *Attorney, Agent, or Firm*—Brinks Hofer Gilson & Lione

(57) **CLAIM**

We claim the ornamental design for a wagon robot, as shown and described.

DESCRIPTION

FIG. 1 is a front perspective view of a wagon robot of the present invention;

FIG. 2 is a front view thereof;

FIG. 3 is a rear view thereof;

FIG. 4 is a first side view thereof;

FIG. 5 is a second side view thereof;

FIG. 6 is a top view thereof;

FIG. 7 is a bottom view thereof;

FIG. 8 is a front perspective view thereof shown in a first alternate position;

FIG. 9 is a front perspective view thereof shown in a second alternate position;

FIG. 10 is a front perspective view thereof shown in a third alternate position;

FIG. 11 is a front perspective view thereof shown in a fourth alternate position; and,

FIG. 12 is a front perspective view thereof shown in a fifth alternate position.

The broken line showing of wagon robot is included for the purpose of illustrating environment and forms no part of the claimed design.

1 Claim, 12 Drawing Sheets

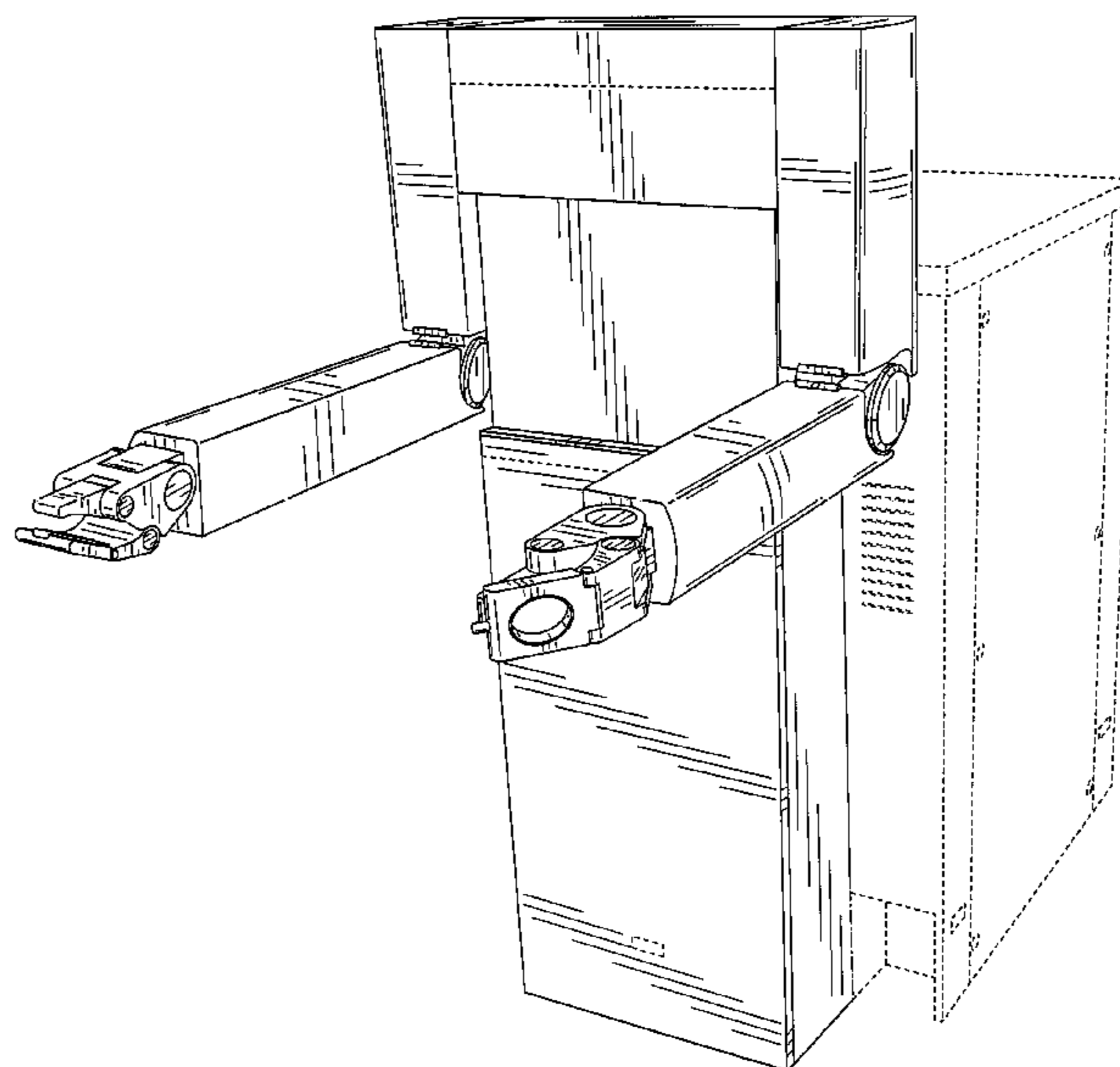


FIG.1

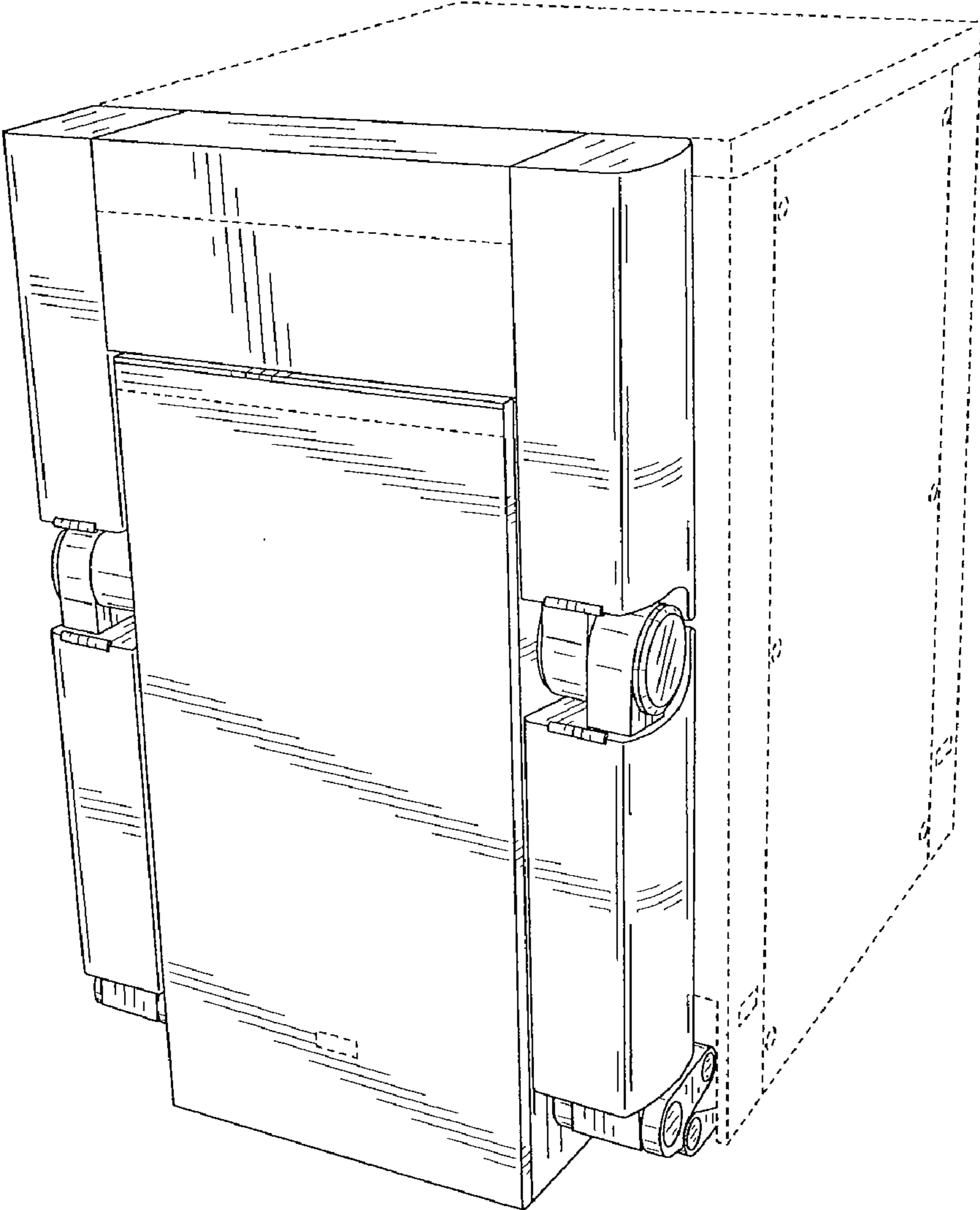


FIG.2

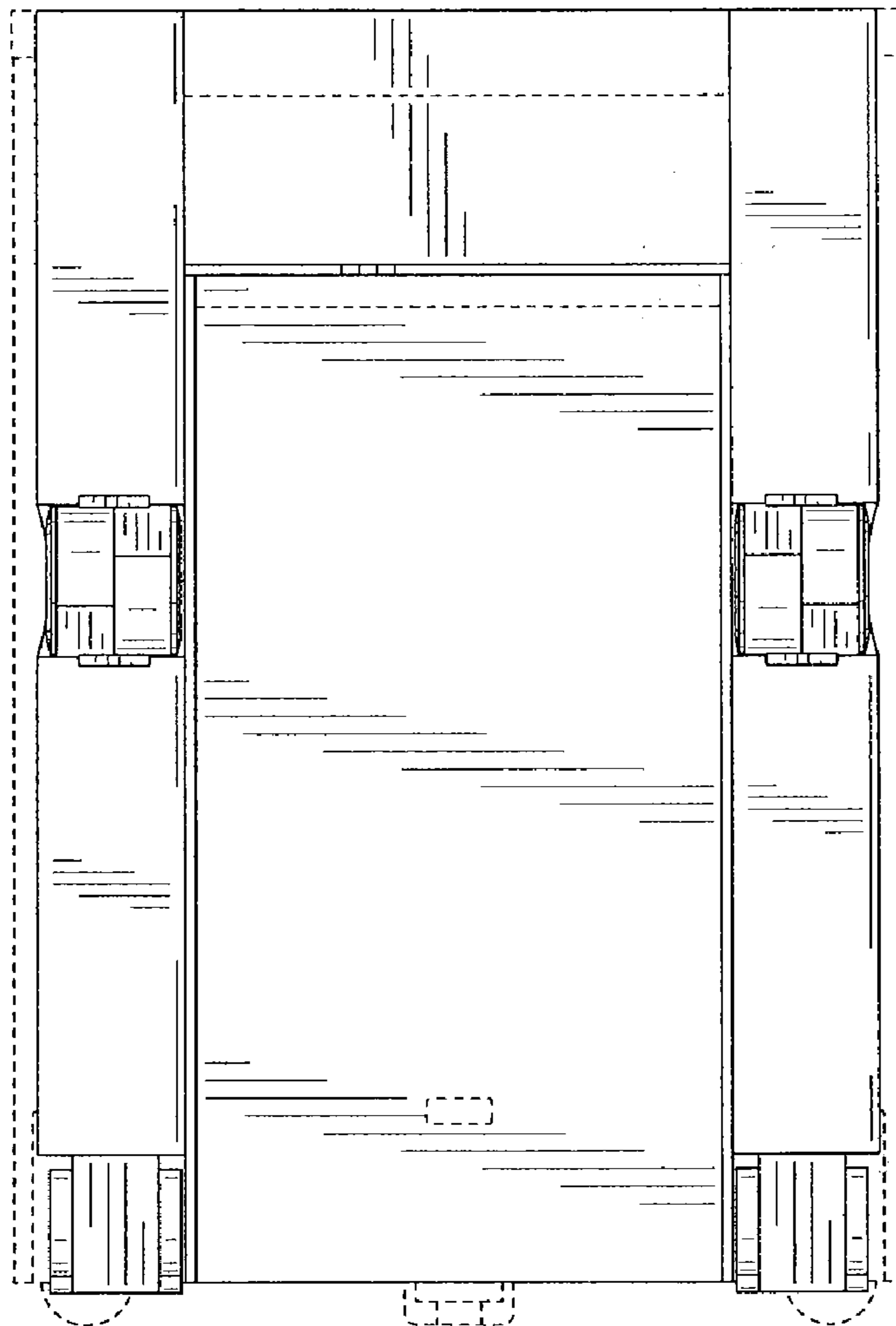


FIG.3

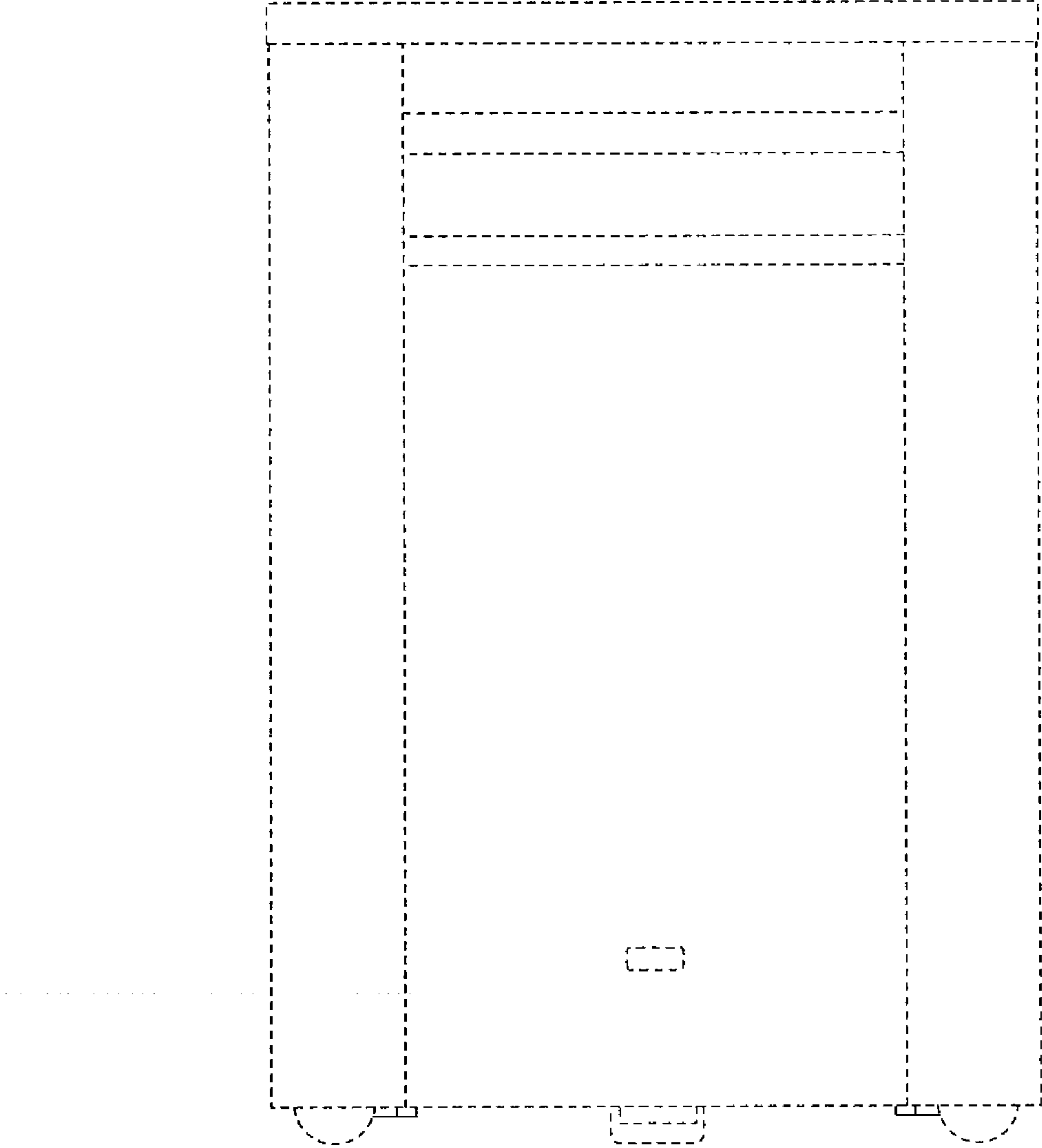


FIG.4

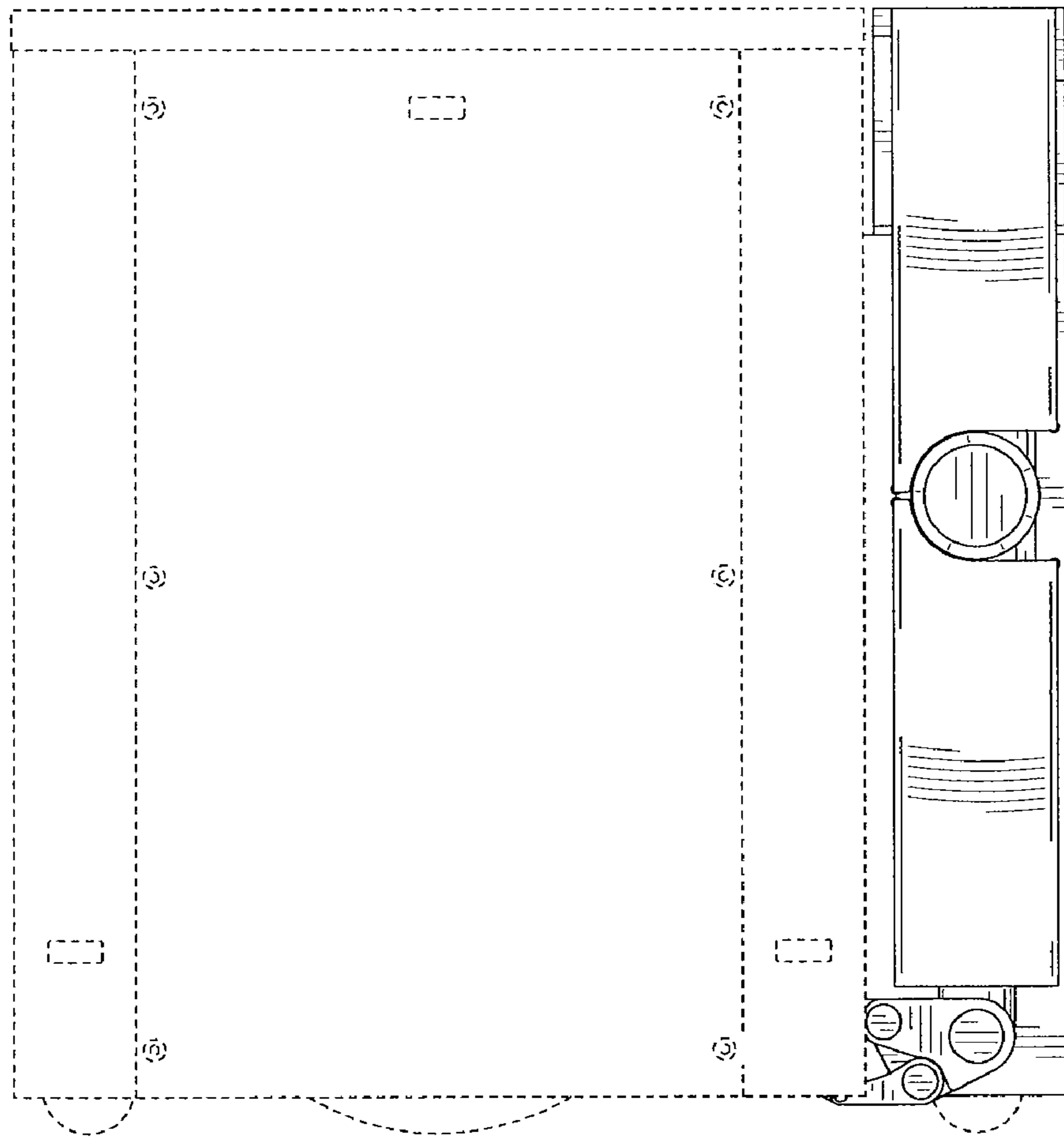


FIG.5

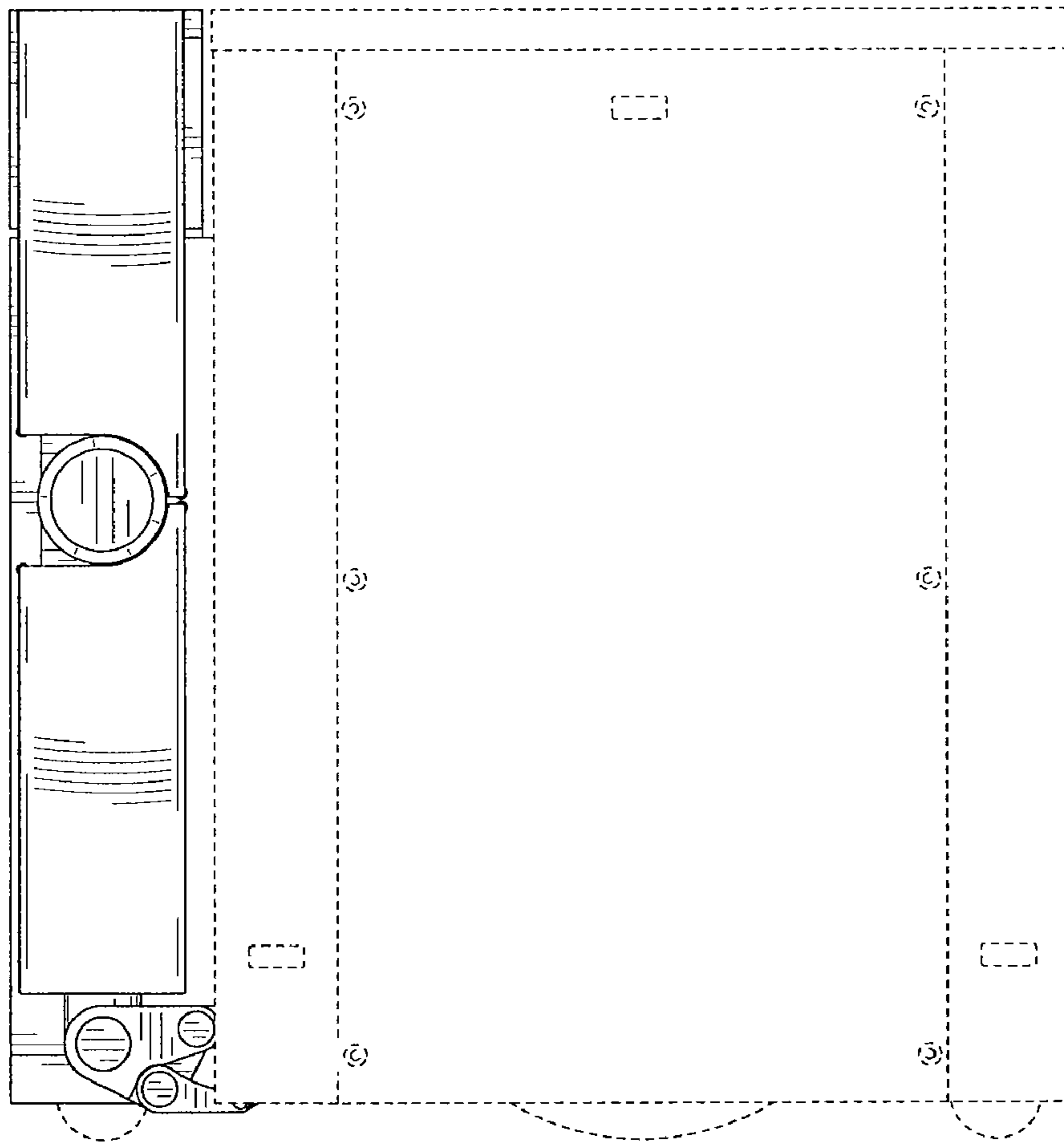


FIG.6

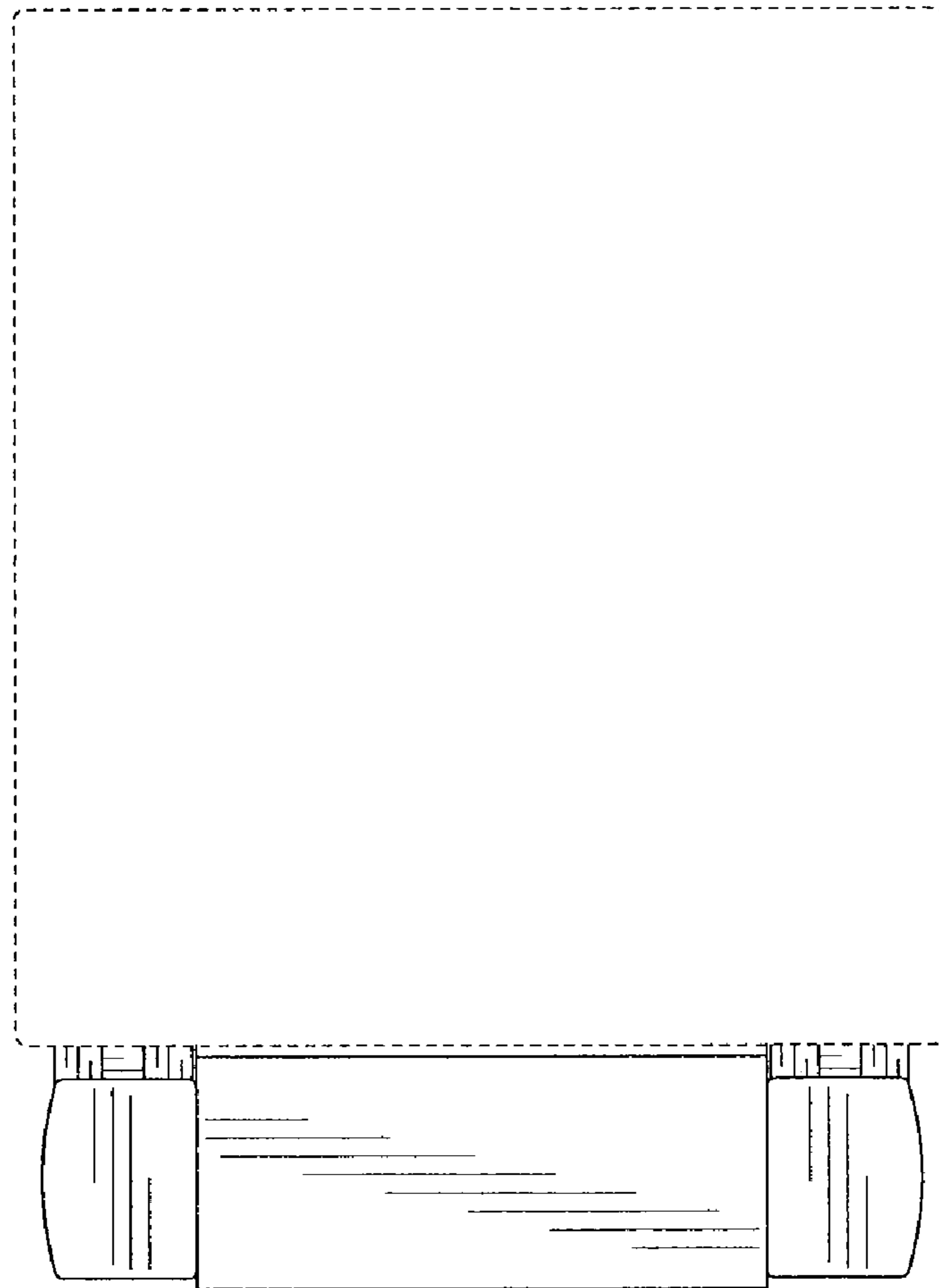


FIG. 7

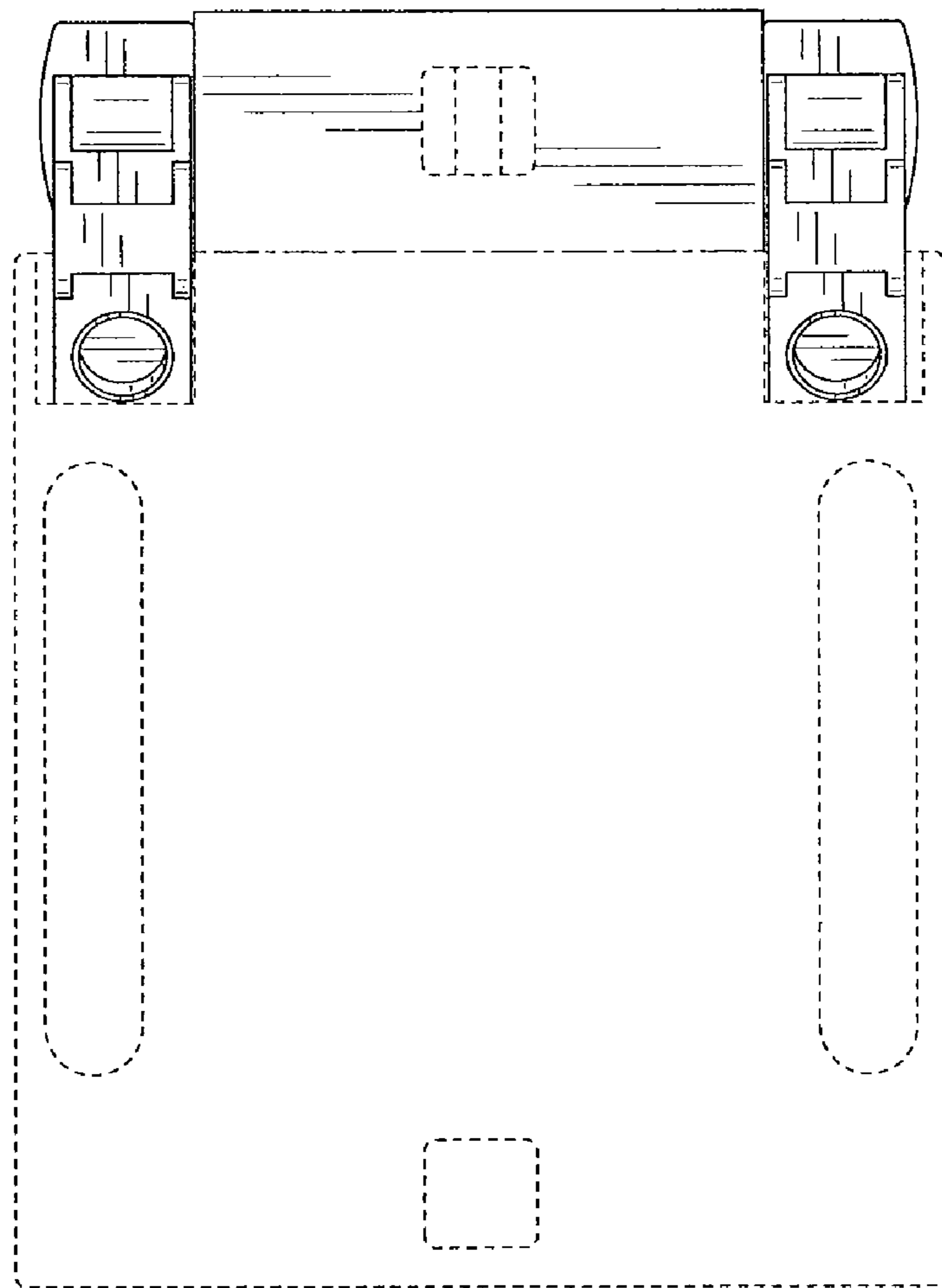


FIG.8

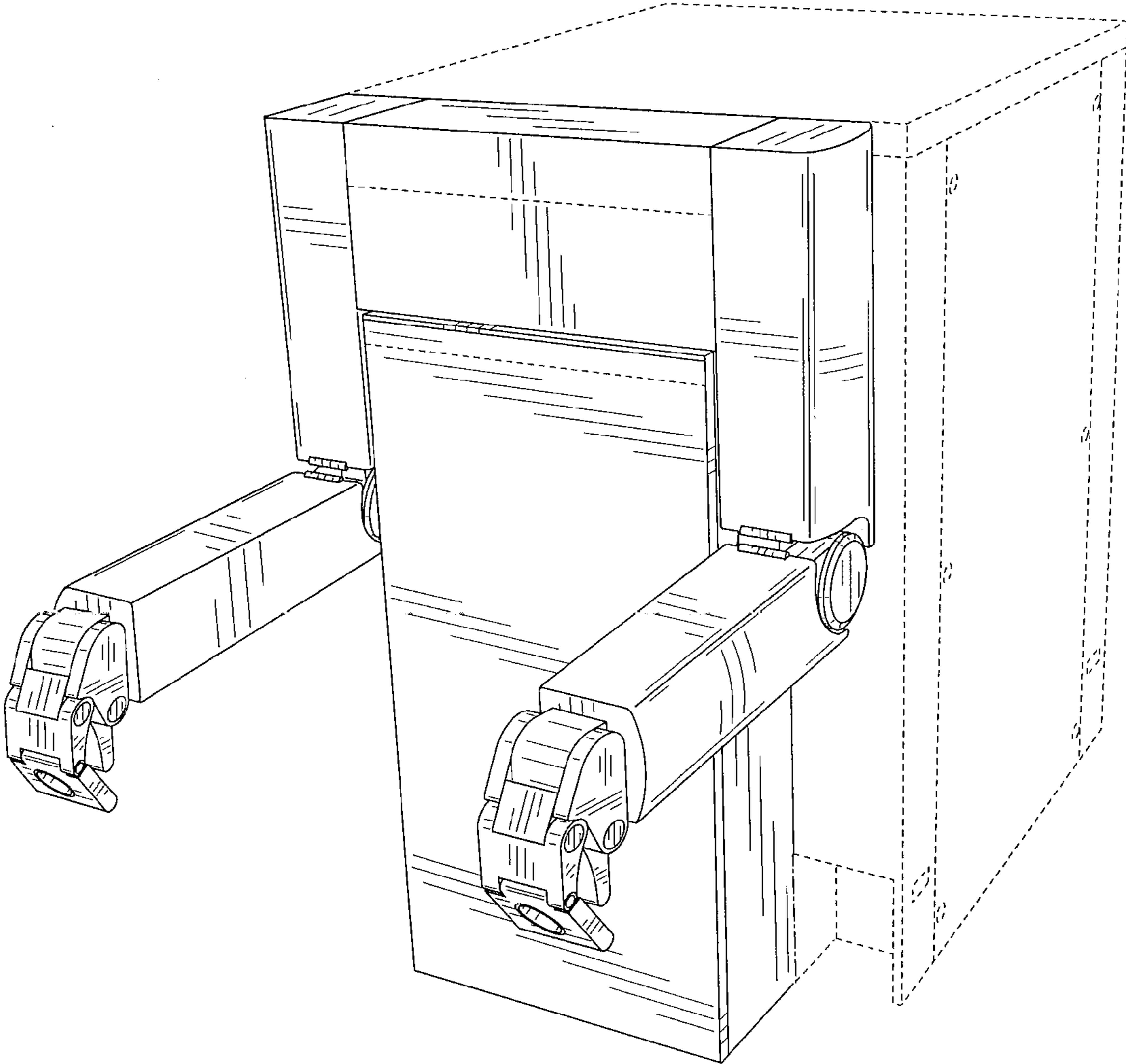


FIG.9

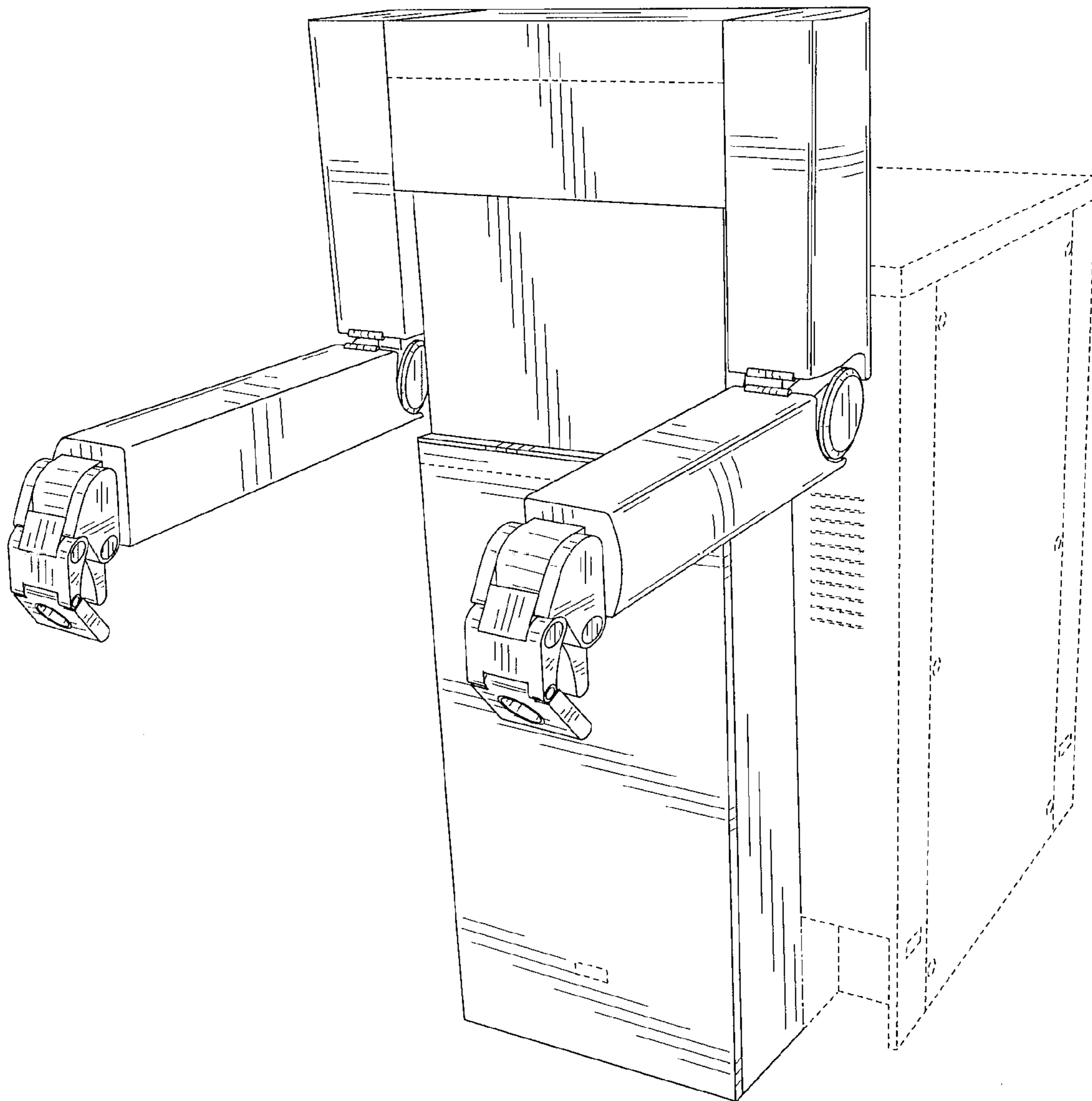


FIG.10

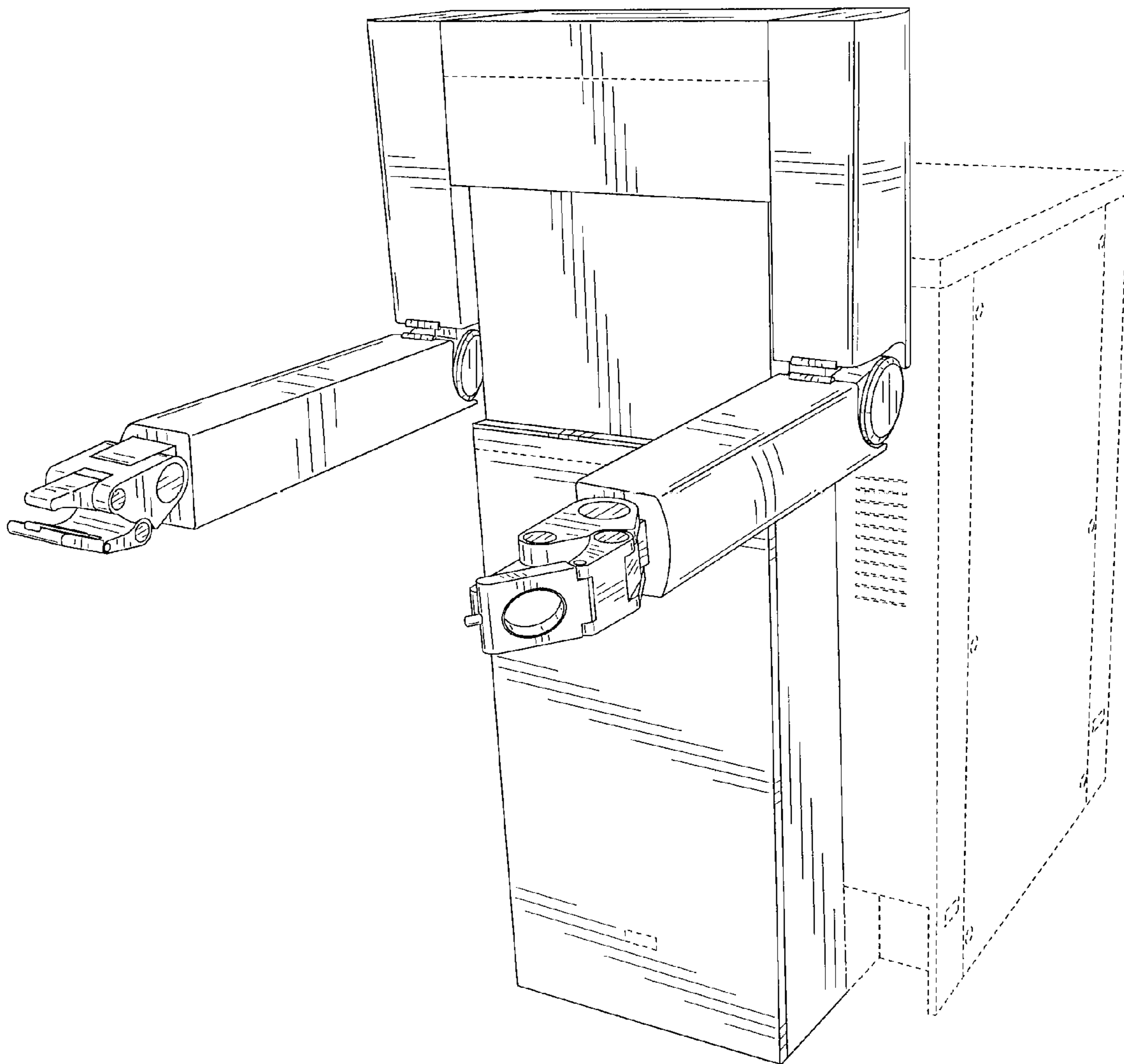


FIG.11

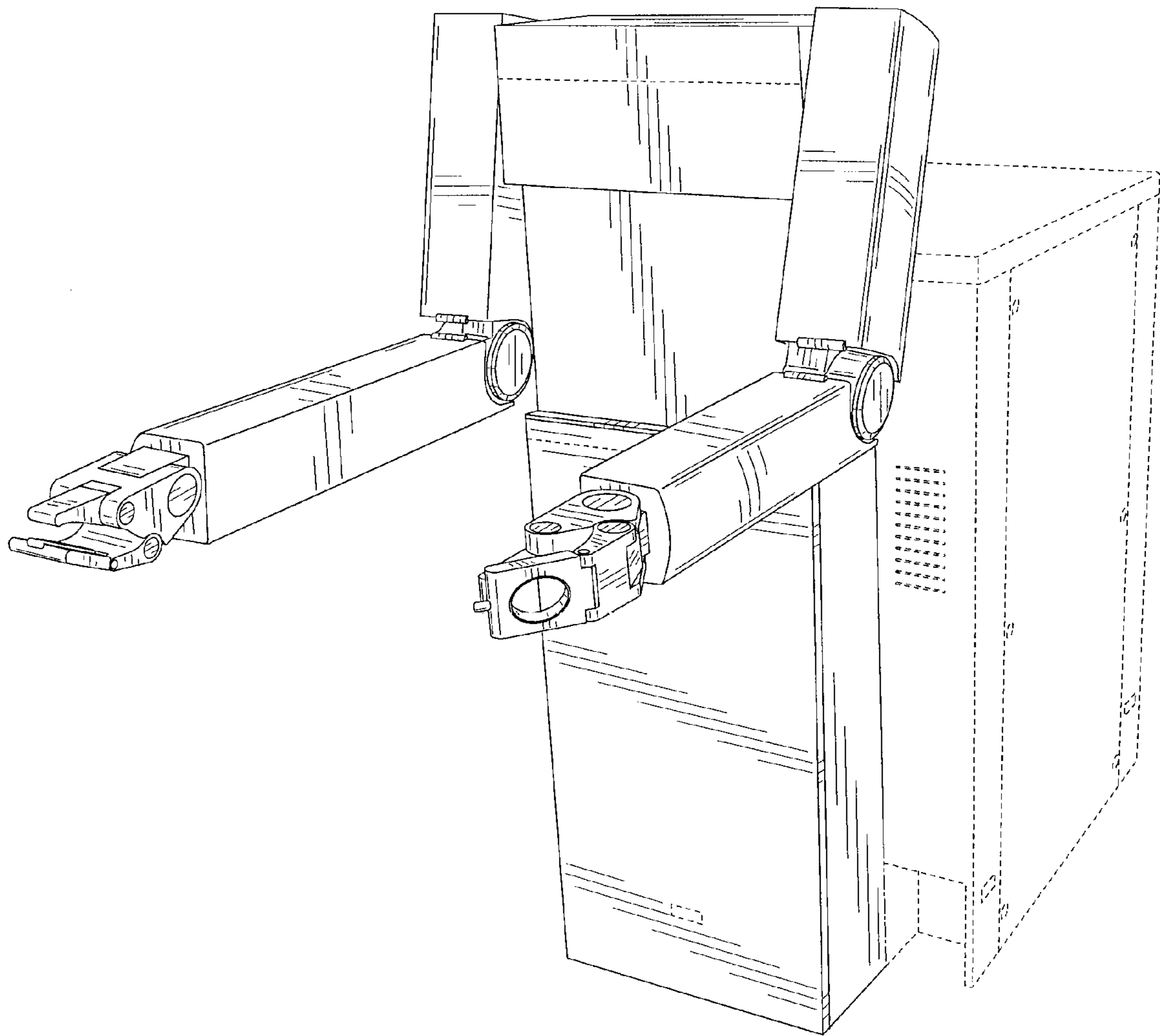


FIG.12

