

US00D622745S

(12) **United States Design Patent**
Pearce et al.

(10) **Patent No.:** **US D622,745 S**

(45) **Date of Patent:** **** *Aug. 31, 2010**

(54) **DRILL BIT WITH TAPERED WATERWAY**

FOREIGN PATENT DOCUMENTS

(75) Inventors: **Cody A. Pearce**, Midvale, UT (US);
Michael D. Rupp, Murray, UT (US);
Christian M. Lambert, Draper, UT (US)

WO 200192677 A1 12/2001

(Continued)

(73) Assignee: **Longyear TM, Inc.**, South Jordan, UT (US)

OTHER PUBLICATIONS

Office Action dated Jul. 28, 2008 from U.S. Appl. No. 11/1610,680 (7 pages).

(Continued)

(**) Term: **14 Years**

Primary Examiner—Sandra Snapp
Assistant Examiner—Patricia Palasik

(21) Appl. No.: **29/354,579**

(74) *Attorney, Agent, or Firm*—Workman Nydegger

(22) Filed: **Jan. 26, 2010**

(57) **CLAIM**

The ornamental design for a drill bit with tapered waterway, as shown and described.

Related U.S. Application Data

DESCRIPTION

(63) Continuation-in-part of application No. 12/638,229, filed on Dec. 15, 2009, which is a continuation-in-part of application No. 12/564,779, filed on Sep. 22, 2009, which is a continuation of application No. 11/610,680, filed on Dec. 14, 2006, now Pat. No. 7,628,228.

FIG. 1 is a perspective view of a drill bit with tapered waterway;

(51) **LOC (9) Cl.** **15-09**

(52) **U.S. Cl.** **D15/139**

(58) **Field of Classification Search** D8/70;
D15/138, 139, 140; 175/57, 58, 307, 329,
175/330, 379, 403, 405.1, 410, 412; 408/145,
408/201, 204, 238, 540, 541, 542, 548
See application file for complete search history.

FIG. 2 is another perspective view of the drill bit with tapered waterway shown in FIG. 1;

FIG. 3 is a top plan view of the drill bit with tapered waterway shown in FIG. 1;

(56) **References Cited**

U.S. PATENT DOCUMENTS

2,147,843 A * 2/1939 Jamar et al. 76/108.1
2,495,400 A * 1/1950 Williams, Jr. 175/405.1
2,966,949 A 1/1961 Wepsala, Jr.

FIG. 4 is rear elevational view of the drill bit with tapered waterway shown in FIG. 1;

FIG. 5 is a front elevational view of the drill bit with tapered waterway shown in FIG. 1;

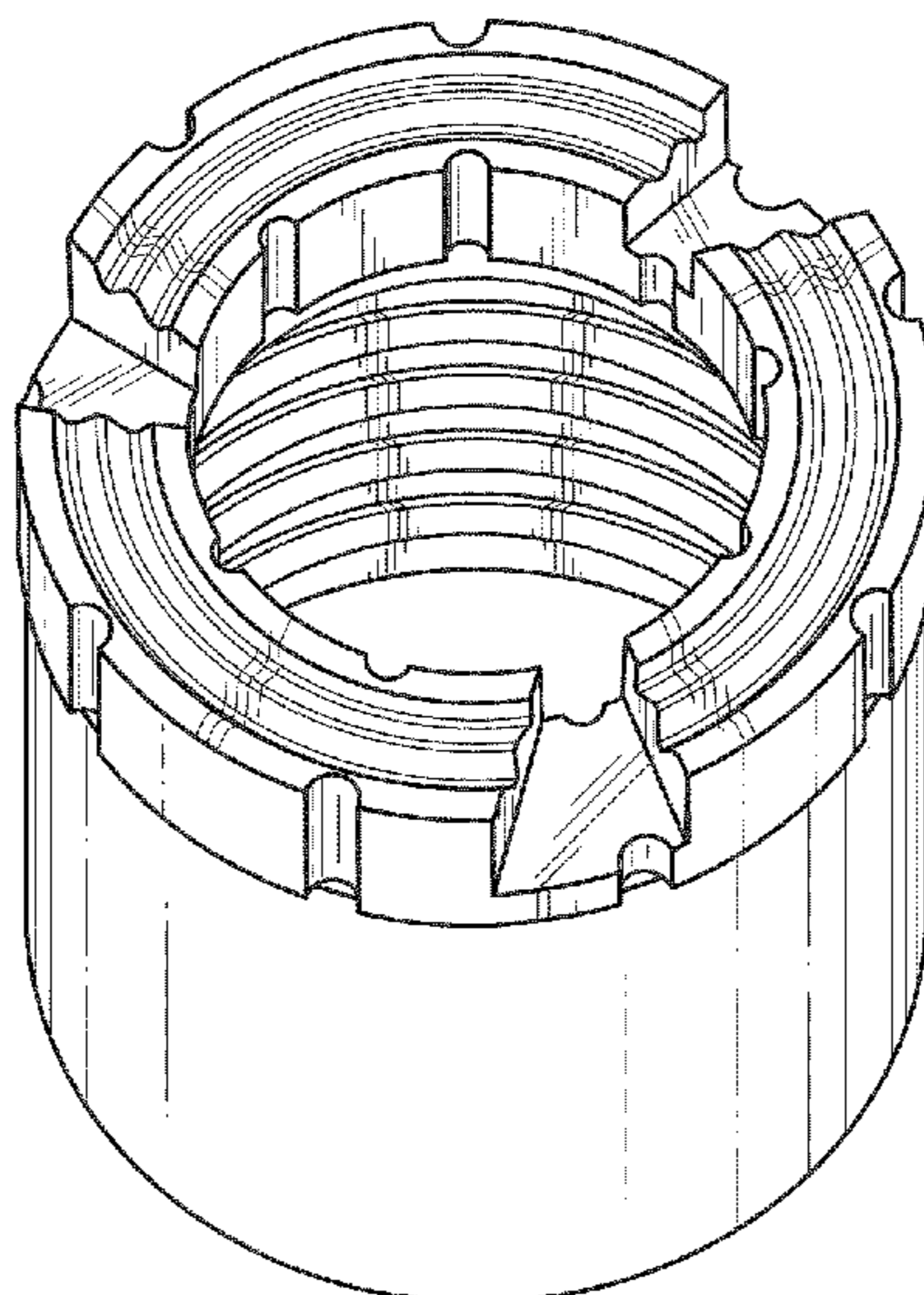
FIG. 6 is a bottom plan view of the drill bit with tapered waterway shown in FIG. 1;

FIG. 7 is a left side elevational view of the drill bit with tapered waterway shown in FIG. 1; and,

FIG. 8 is a right side elevational view of the drill bit with tapered waterway shown in FIG. 1.

(Continued)

1 Claim, 3 Drawing Sheets



US D622,745 S

Page 2

U.S. PATENT DOCUMENTS

2,969,122 A 1/1961 Steffes
RE26,669 E 9/1969 Henderson
3,495,359 A 2/1970 Smith
4,128,136 A 12/1978 Generoux
4,190,126 A * 2/1980 Kabashima 175/426
4,208,154 A 6/1980 Gundy
4,499,959 A 2/1985 Grappendorf
4,822,757 A * 4/1989 Sadamori 438/140
5,025,871 A 6/1991 Stewart
5,069,584 A 12/1991 Obermeier et al.
5,316,416 A 5/1994 Kim
5,628,376 A 5/1997 Kleine
5,823,276 A 10/1998 Beck, III
5,836,409 A 11/1998 Vail, III
5,932,508 A 8/1999 Armstrong et al.
6,595,844 B1 7/2003 Mizuno et al.
7,189,036 B1 * 3/2007 Watson 408/204
7,628,228 B2 12/2009 Drivdahl et al.
7,641,004 B2 * 1/2010 Lapointe 175/405.1
2005/0016775 A1 1/2005 Hiranuma et al.
2007/0246266 A1 10/2007 Larbo
2008/0142262 A1 * 6/2008 Drivdahl et al. 175/20
2010/0006344 A1 1/2010 Drivdahl
2010/0012385 A1 1/2010 Drivdahl

FOREIGN PATENT DOCUMENTS

WO 2006004494 A1 1/2006

WO 2006076795 A1 7/2006

OTHER PUBLICATIONS

Office Action dated Mar. 18, 2009 from U.S. Appl. No. 11/610,680 (7 pages).
Office Action dated Jul. 7, 2009 from U.S. Appl. No. 11/610,680 (6 pages).
International Search Report mailed Aug. 1, 2008 from PCT Application No. PCT/US2007/087619 (2 pages).
Notice of Allowance dated Sep. 30, 2009 from U.S. Appl. No. 11/610,680 (1 page).
Boart Longyear, Alpha Bit, 2003 (1 page).
Office Action dated Feb. 25, 2010 from U.S. Appl. No. 12/564,779, filed Sep. 22, 2009 (19 pages).
Office Action dated Mar. 8, 2010 from U.S. Appl. No. 12/568,204, filed Sep. 28, 2009 (18 pages).
Issue Notification dated Nov. 18, 2009 from U.S. Appl. No. 11/610,680 filed Dec. 14, 2006 (1 page).
Office Action dated Apr. 26, 2010 from U.S. Appl. No. 12/564,540 filed Sep. 22, 2009 (7 pages).
Office Action dated Jun. 1, 2010 from U.S. Appl. No. 12/567,477, filed Sep. 25, 2009 (21 pages).
Office Action dated Jun. 3, 2010 from U.S. Appl. No. 12/568,231, filed Sep. 28, 2009 (17 pages).
Notice of Allowance dated Jul. 19, 2010 from U.S. Appl. No. 12/564,779, filed Sep. 22, 2009 (8 pages).

* cited by examiner

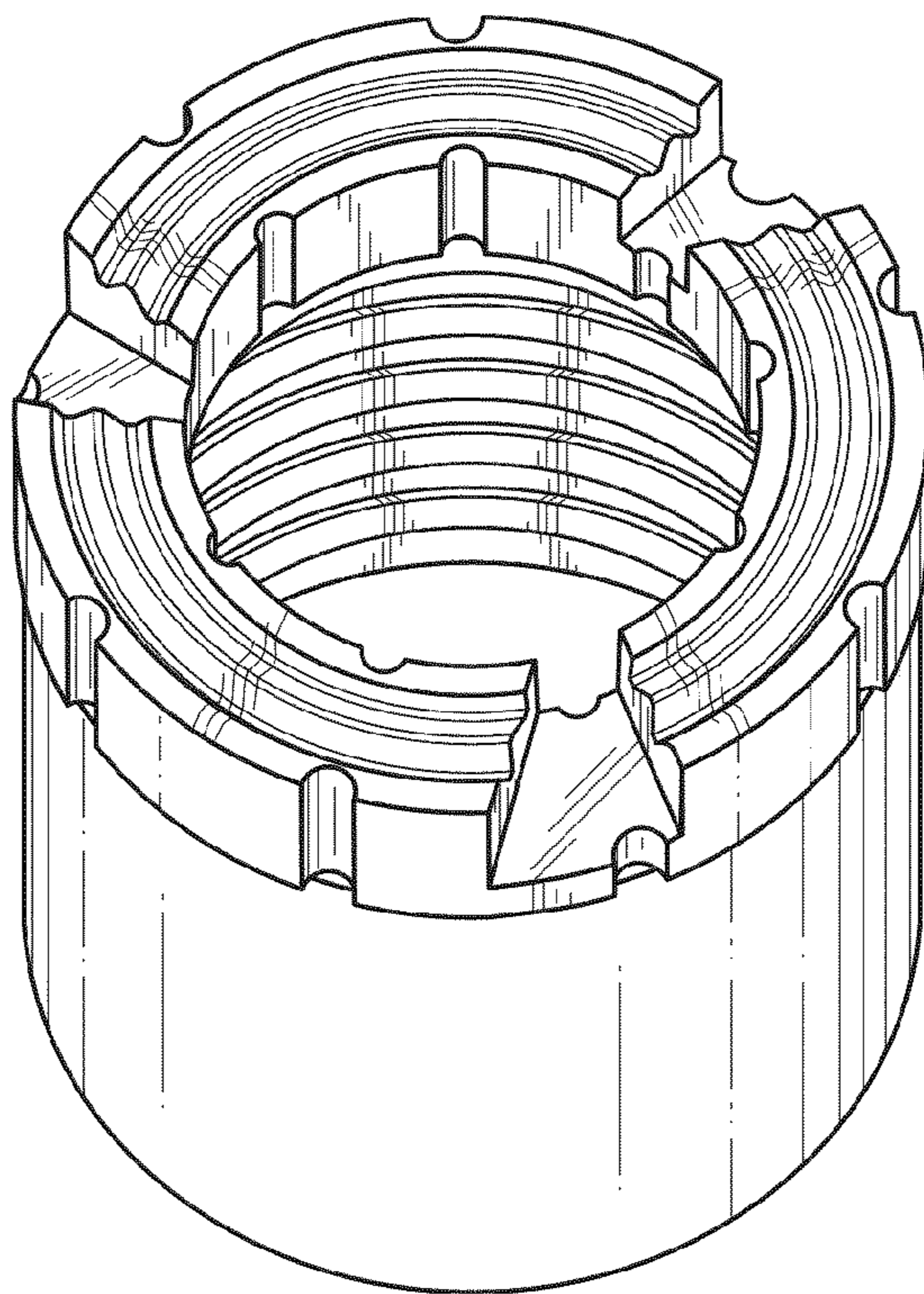


FIG. 1

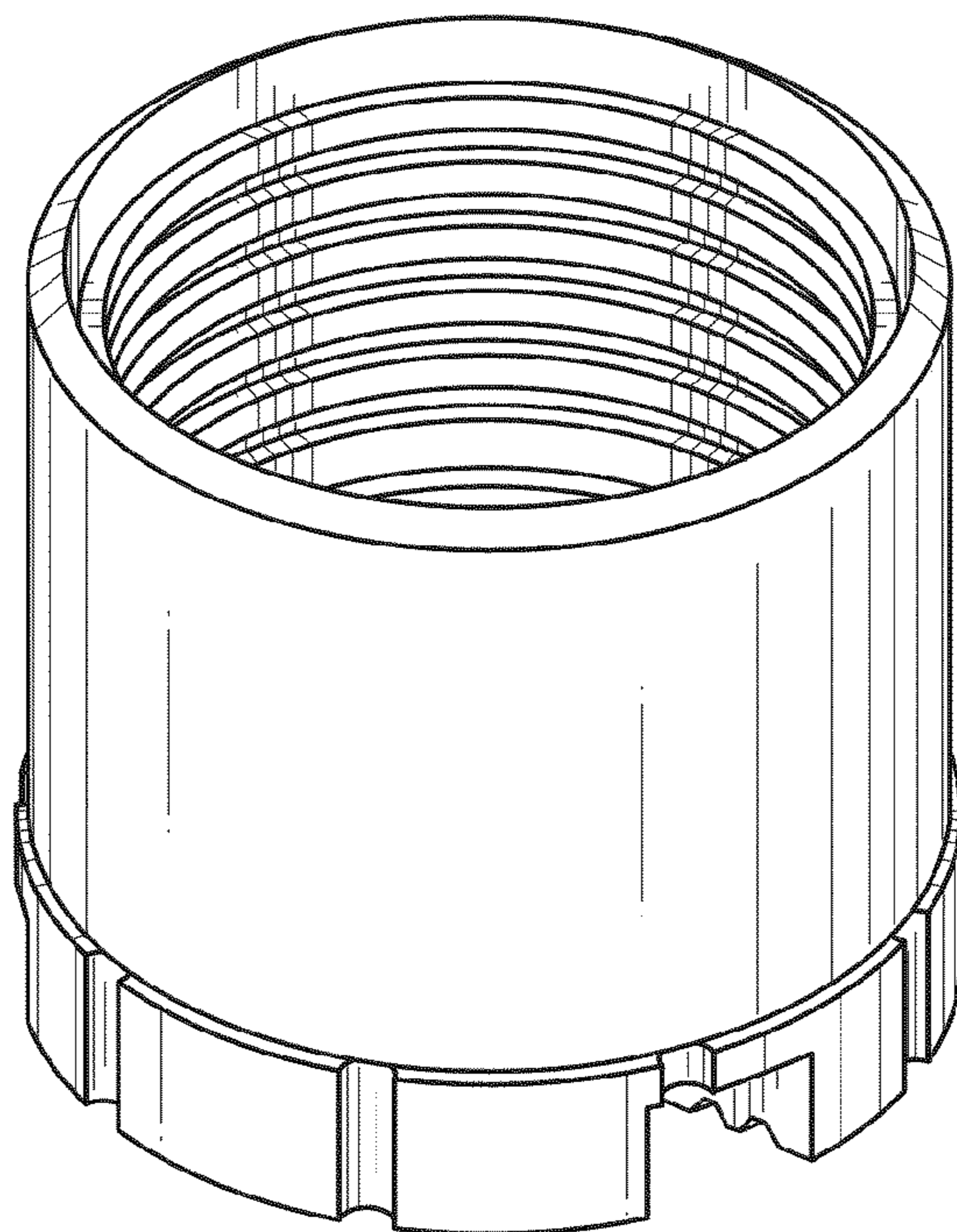


FIG. 2

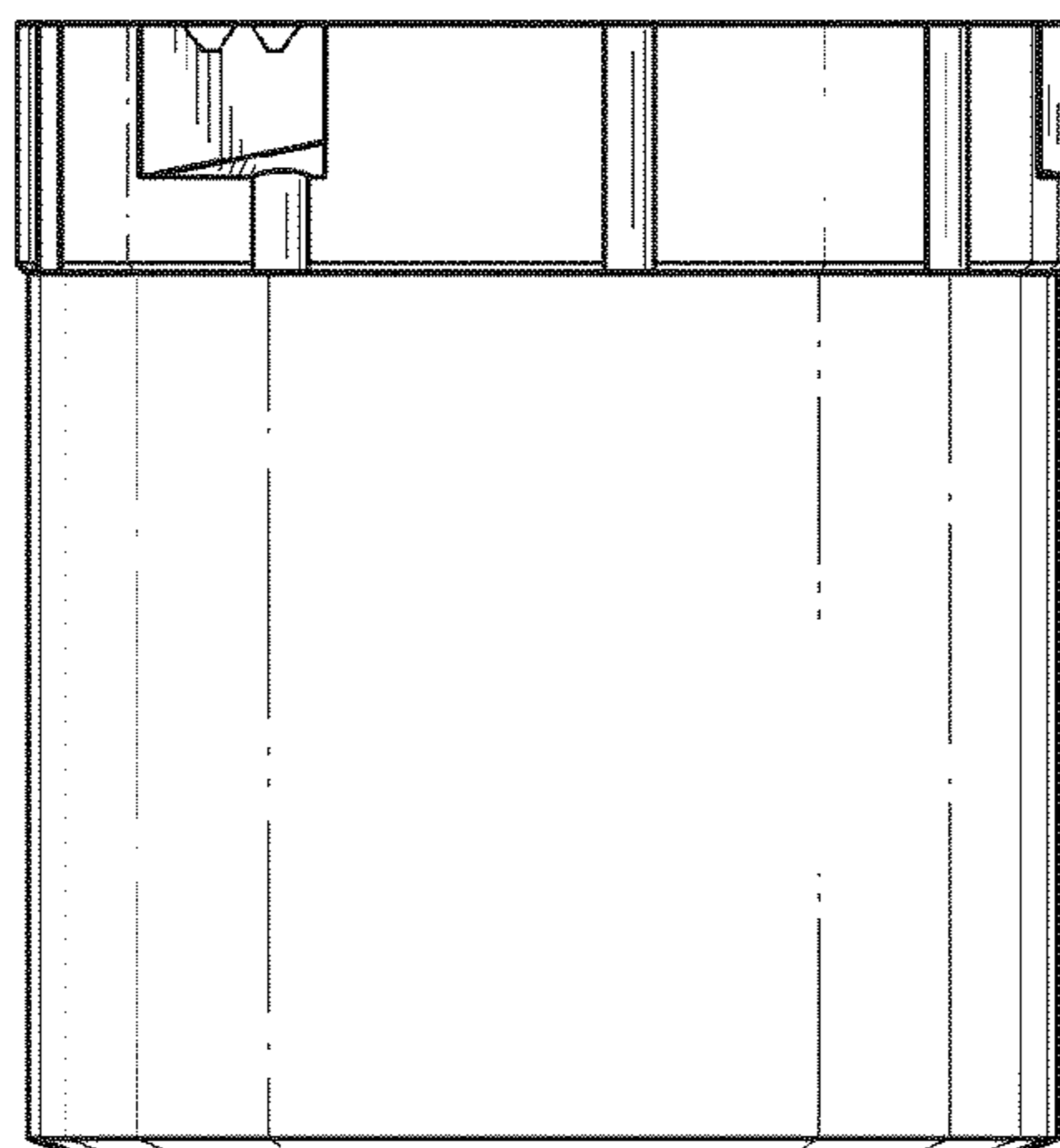


FIG. 4

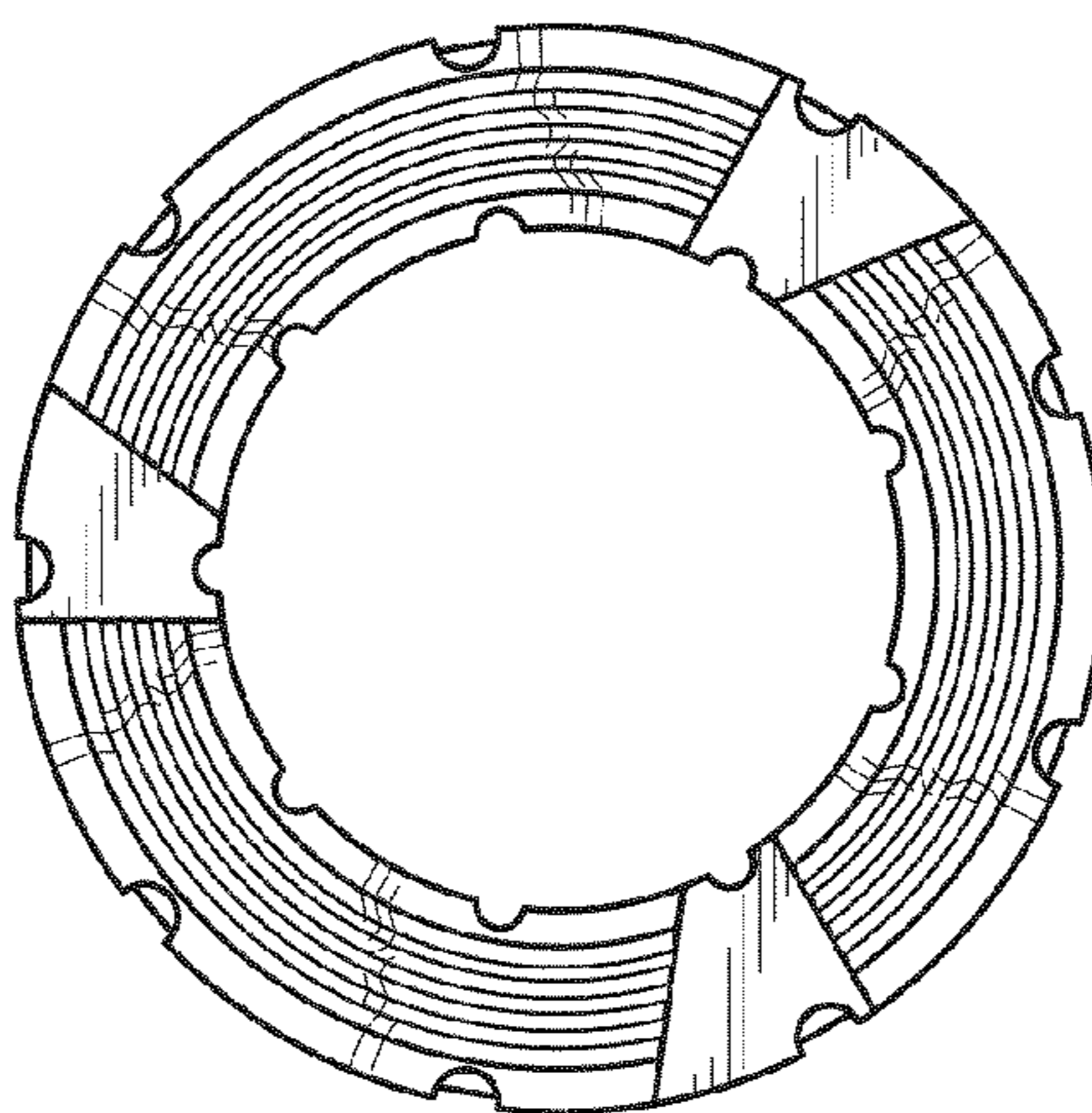


FIG. 3

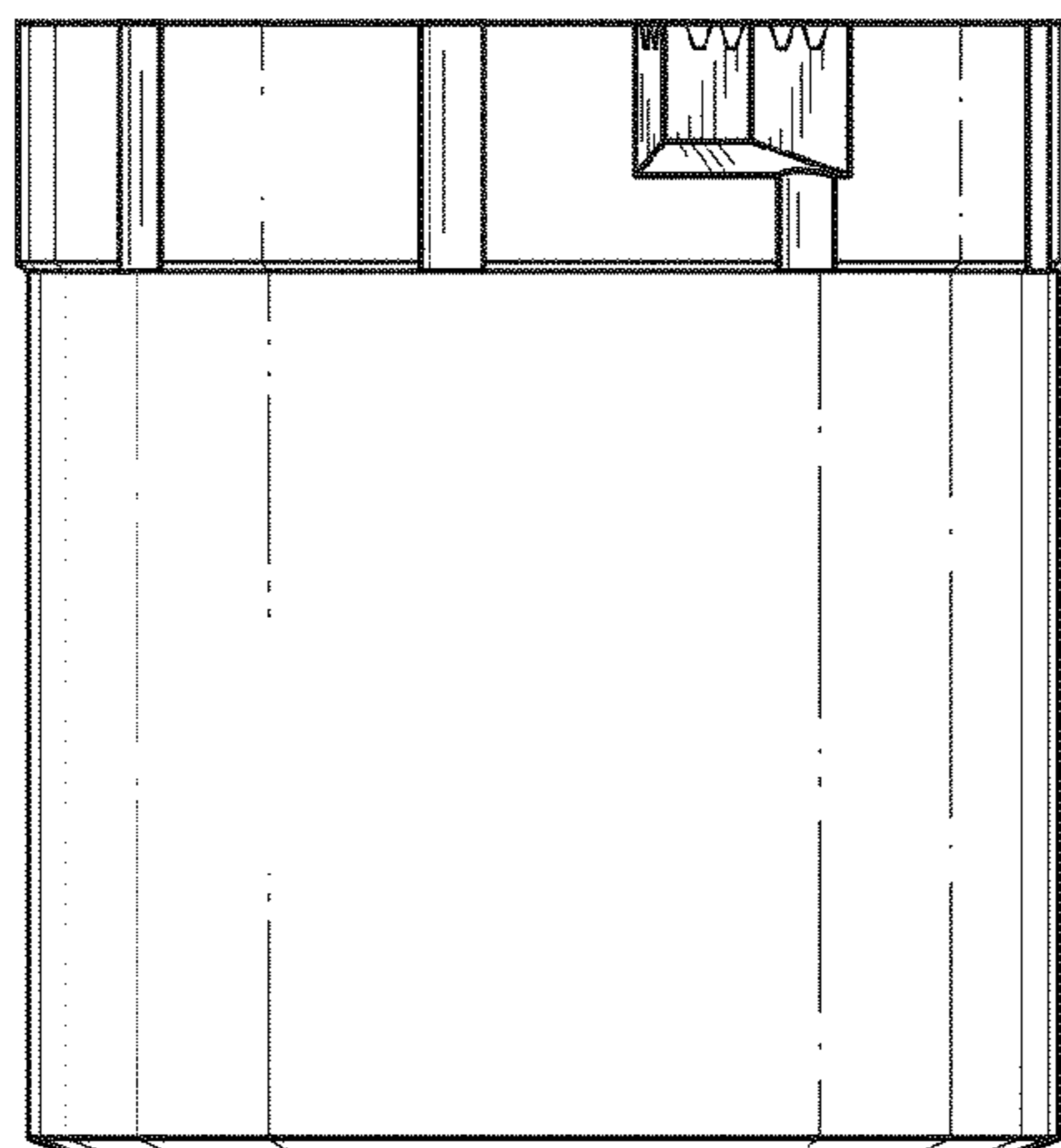


FIG. 5

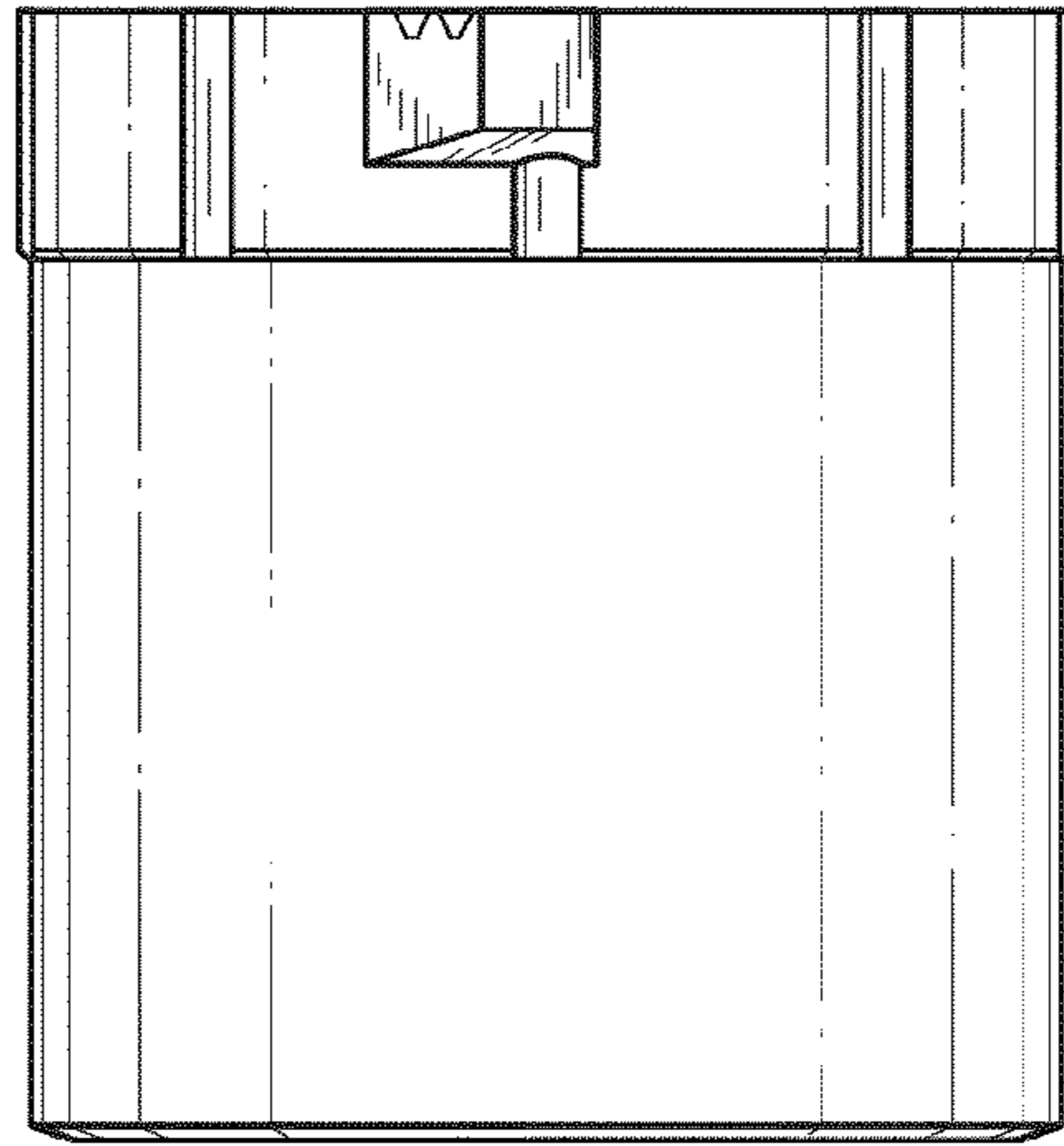


FIG. 7

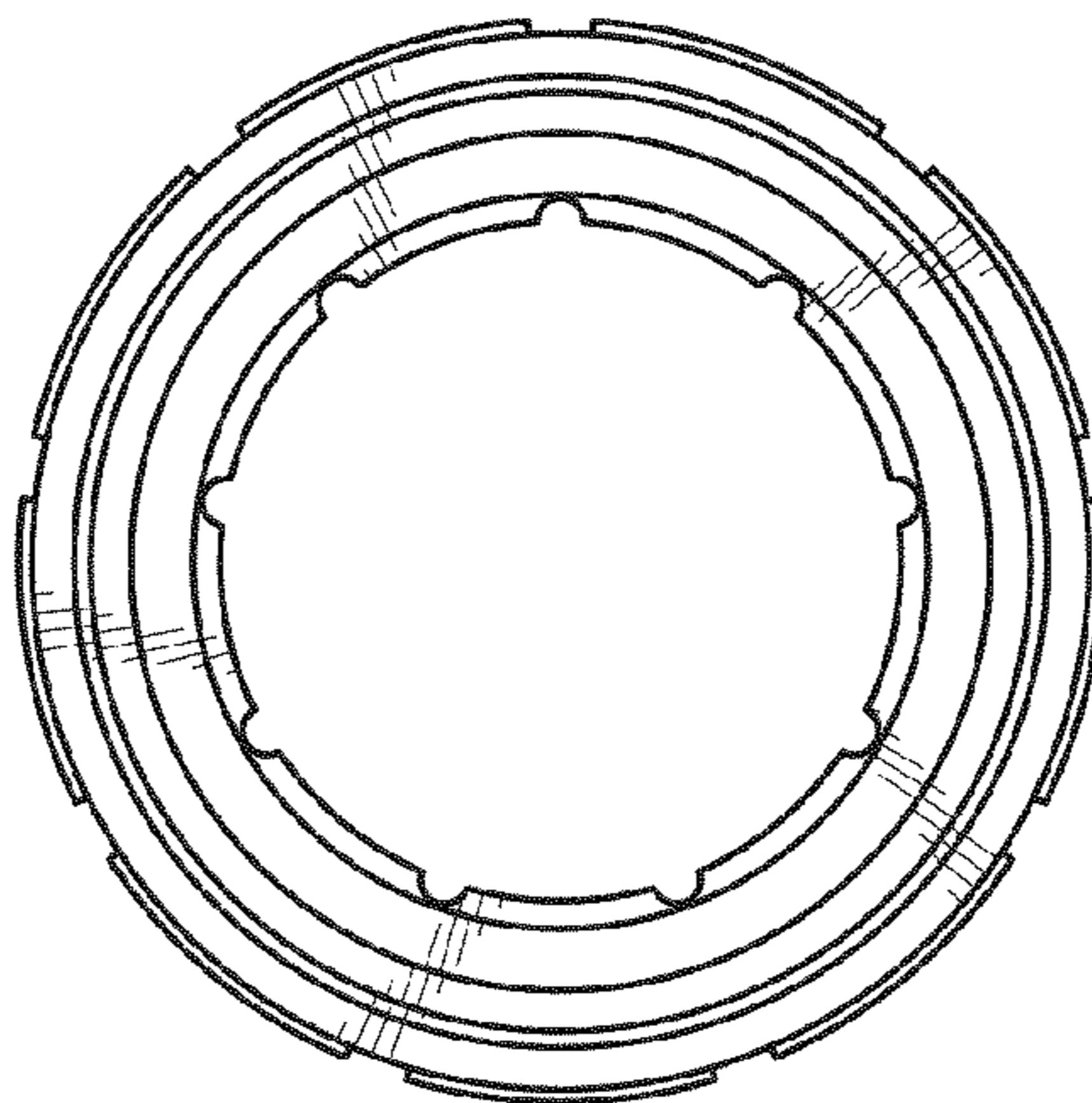


FIG. 6

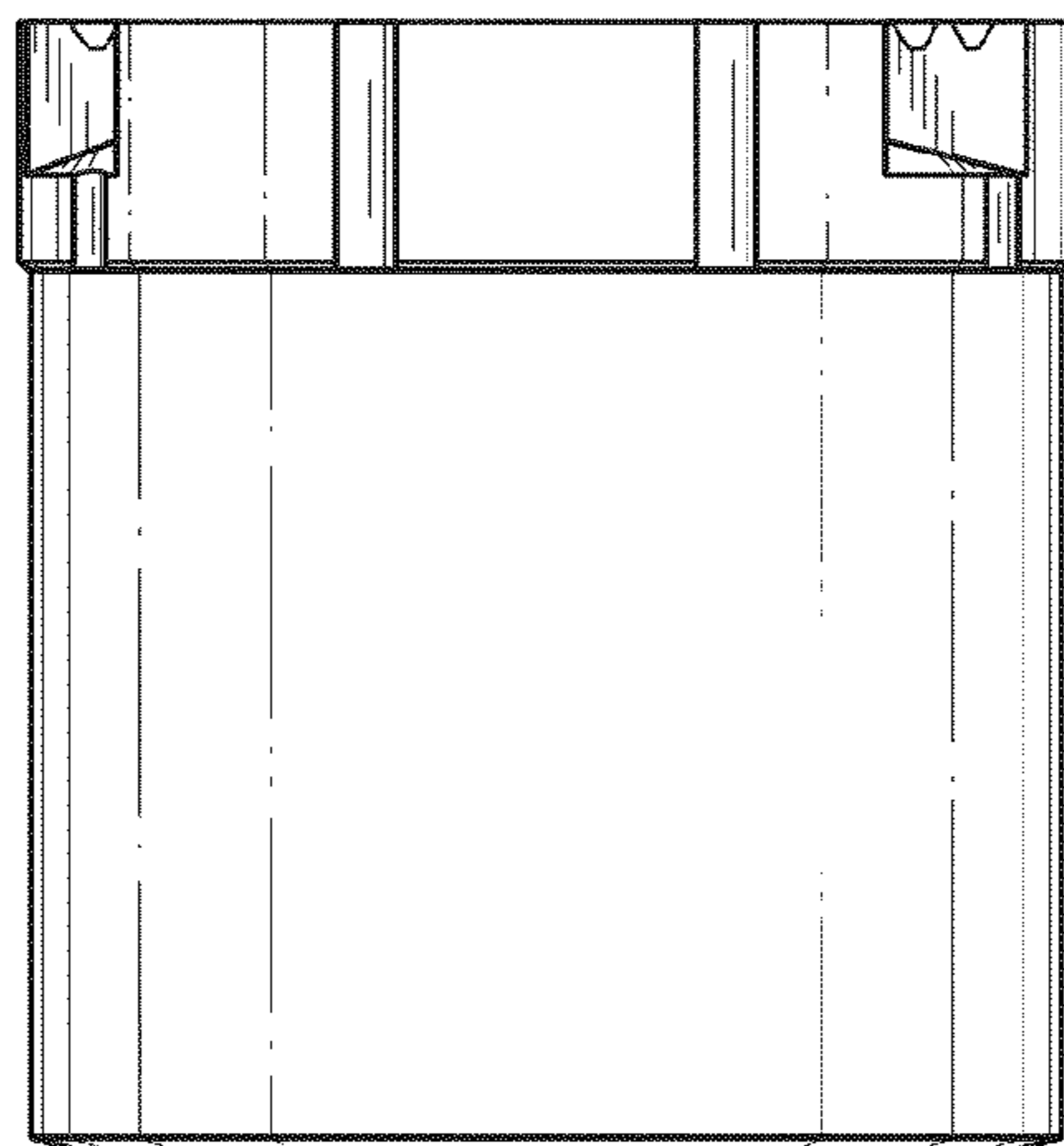


FIG. 8

UNITED STATES PATENT AND TRADEMARK OFFICE
CERTIFICATE OF CORRECTION

PATENT NO. : D622,745 S
APPLICATION NO. : 29/354579
DATED : August 31, 2010
INVENTOR(S) : Pearce et al.

Page 1 of 1

It is certified that error appears in the above-identified patent and that said Letters Patent is hereby corrected as shown below:

Cover page

Item 56, References Cited, OTHER PUBLICATIONS, Page 1, Right Hand Column, line 1, change the reference "Office Action dated Jul. 28, 2008 from U.S. Appl. No 11/1610,680 (7pages)." to --Office Action dated Jul. 28, 2008 from U.S. Appl. No 11/610,680 (7pages).--
Item 57, DESCRIPTION, Line 7, change "FIG. 4 is rear elevational view" to --FIG. 4 is a rear elevational view--

Signed and Sealed this
Eighth Day of February, 2011

A handwritten signature in black ink that reads "David J. Kappos". The signature is written in a cursive style with a large initial "D" and "K".

David J. Kappos
Director of the United States Patent and Trademark Office