



US00D622743S

(12) **United States Design Patent**
Bohrer et al.

(10) **Patent No.:** **US D622,743 S**

(45) **Date of Patent:** **** Aug. 31, 2010**

(54) **ROLL GROOVER**

(76) Inventors: **Thomas Bohrer**, 8635 Honeysuckle Dr.,
Erie, PA (US) 16509; **Stephen**
Woodward, 12341 Cotton Rd.,
Meadville, PA (US) 16335

(**) Term: **14 Years**

(21) Appl. No.: **29/349,537**

(22) Filed: **Apr. 13, 2010**

Related U.S. Application Data

(63) Continuation of application No. 29/313,071, filed on
Dec. 4, 2008, now abandoned.

(51) **LOC (9) Cl.** **15-09**

(52) **U.S. Cl.** **D15/129**

(58) **Field of Classification Search** D15/127,
D15/129, 199; 72/2, 101, 105, 106, 107,
72/110, 442, 453.16; 100/341, 349

See application file for complete search history.

(56) **References Cited**

U.S. PATENT DOCUMENTS

D143,239	S *	12/1945	Phillis	D15/127
4,166,370	A *	9/1979	Goodman	72/105
5,528,919	A *	6/1996	McGrady et al.	72/121
5,778,715	A *	7/1998	Lippka et al.	72/106
6,272,895	B1 *	8/2001	Hamm	72/105
6,606,893	B2 *	8/2003	Hamm et al.	72/105
6,688,150	B1 *	2/2004	Westley et al.	72/106
6,708,545	B1 *	3/2004	Hamm et al.	72/105
6,776,018	B2 *	8/2004	Hamm et al.	72/105

D611,966 S * 3/2010 Pfaff D15/127
2003/0192357 A1 * 10/2003 Hamm et al. 72/105

* cited by examiner

Primary Examiner—Sandra Snapp

Assistant Examiner—Patricia Palasik

(74) *Attorney, Agent, or Firm*—Richard K. Thomson

(57) **CLAIM**

The ornamental design for a roll groover, as shown and described.

DESCRIPTION

FIG. 1 is view of the right side of the roll groover of the present invention;

FIG. 2 is a front view of the roll groover of the present invention;

FIG. 3 is a view of the left side of the roll groover of the present invention;

FIG. 4 is a rear view of the roll groover of the present invention;

FIG. 5 is a top view of the roll groover of the present invention;

FIG. 6 is a bottom view of the roll groover of the present invention;

FIG. 7 is a front perspective view of the roll groover of the present invention; and,

FIG. 8 is a rear perspective view of the roll groover of the present invention.

1 Claim, 8 Drawing Sheets

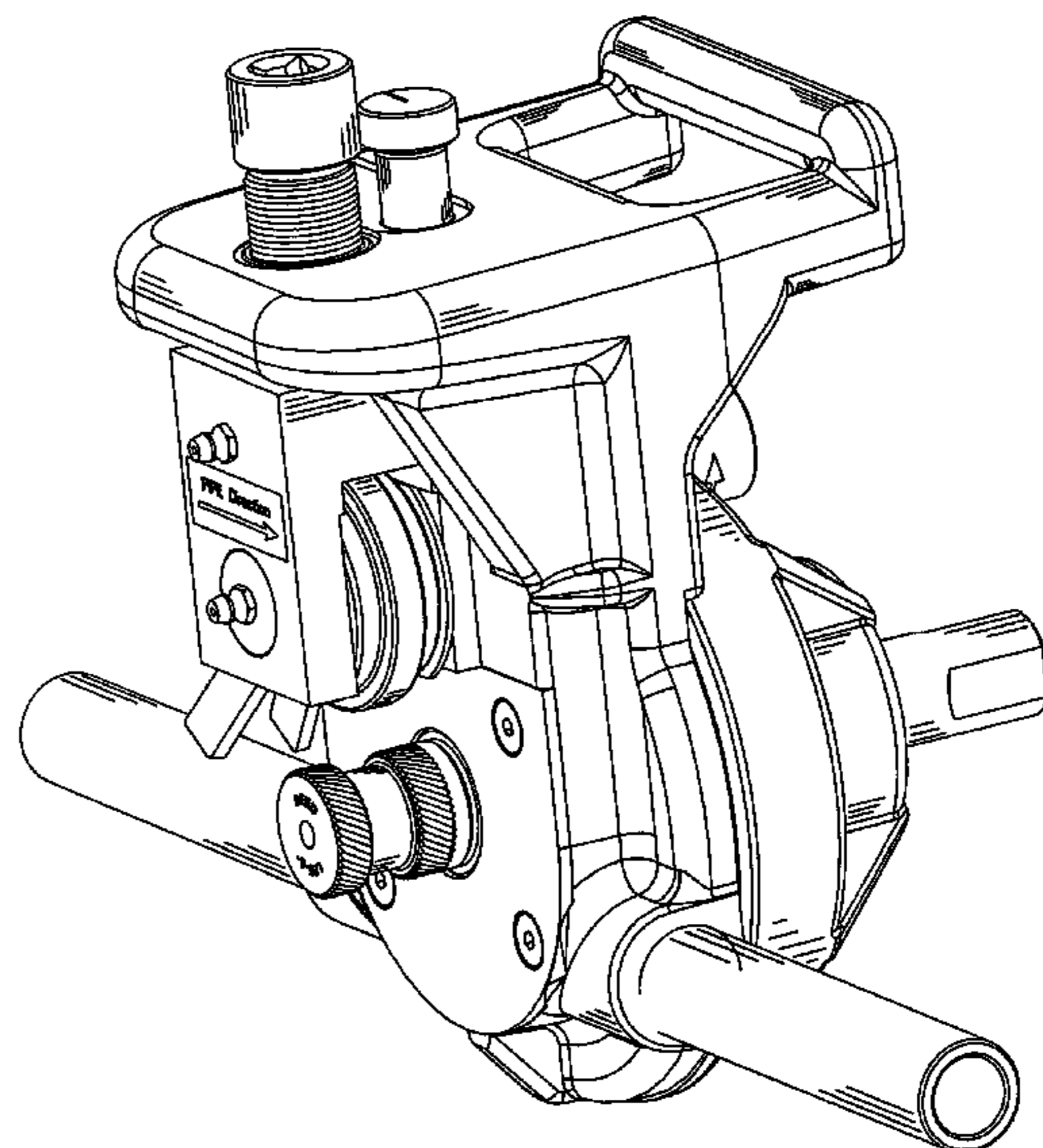
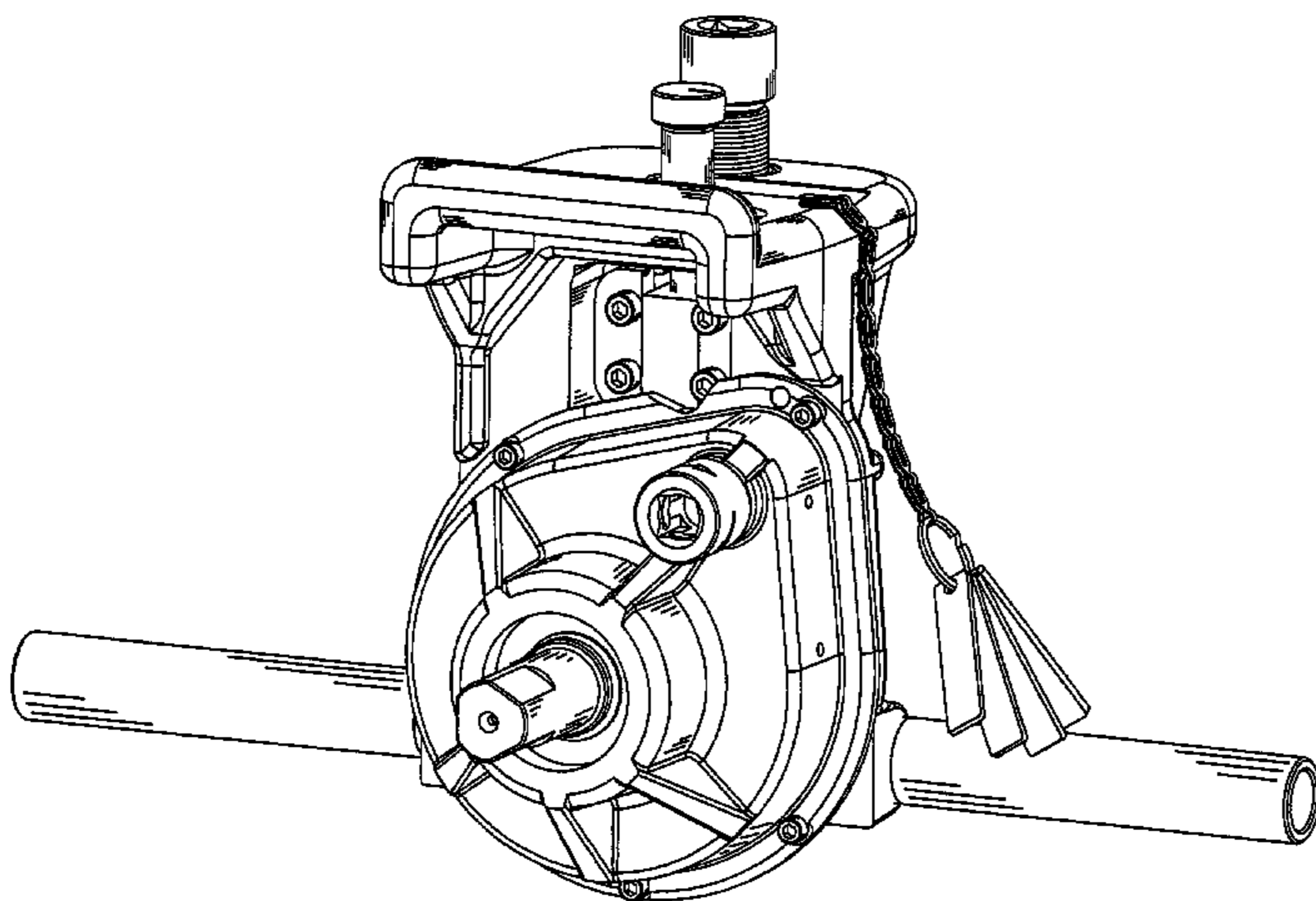


FIGURE 1

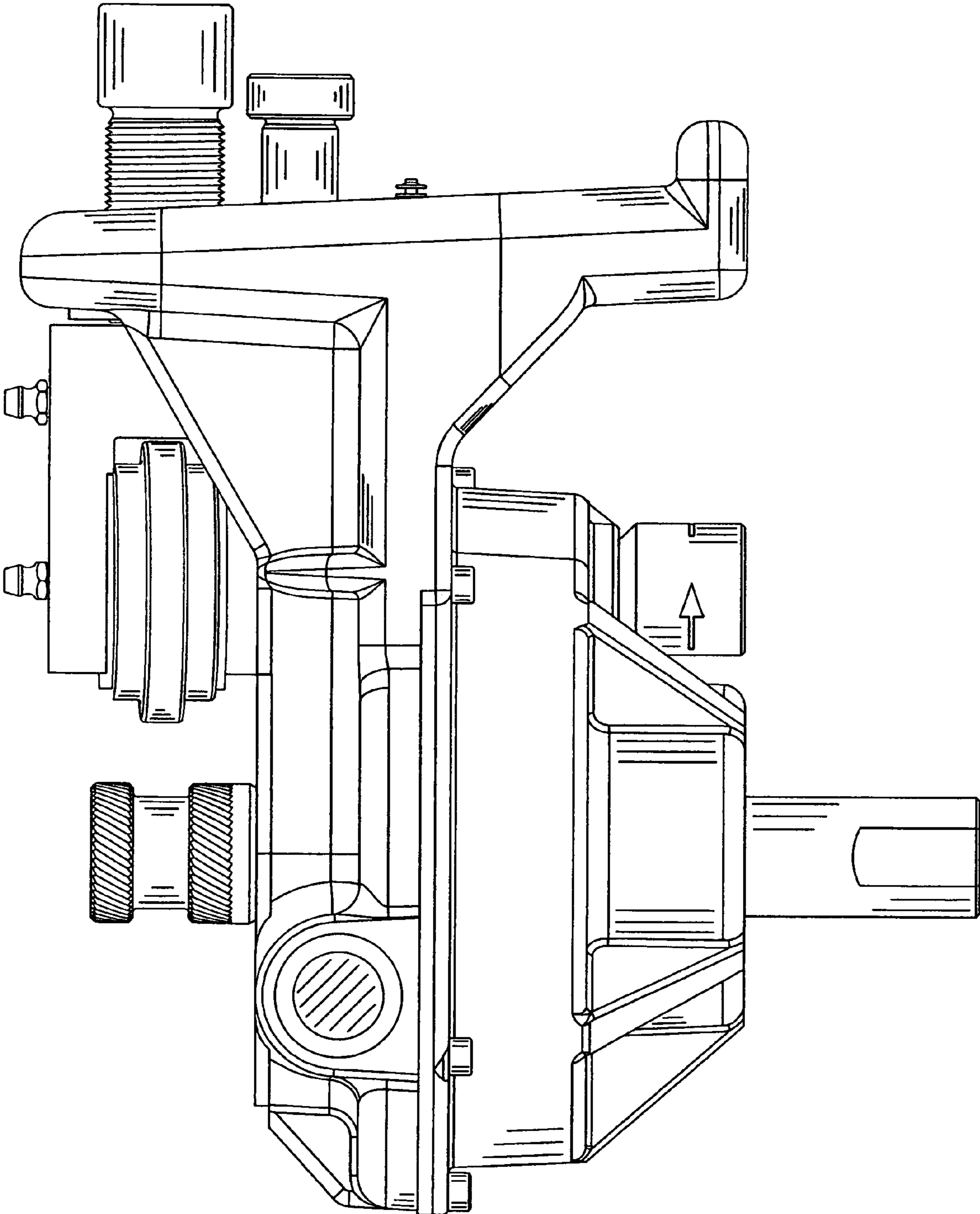


FIGURE 2

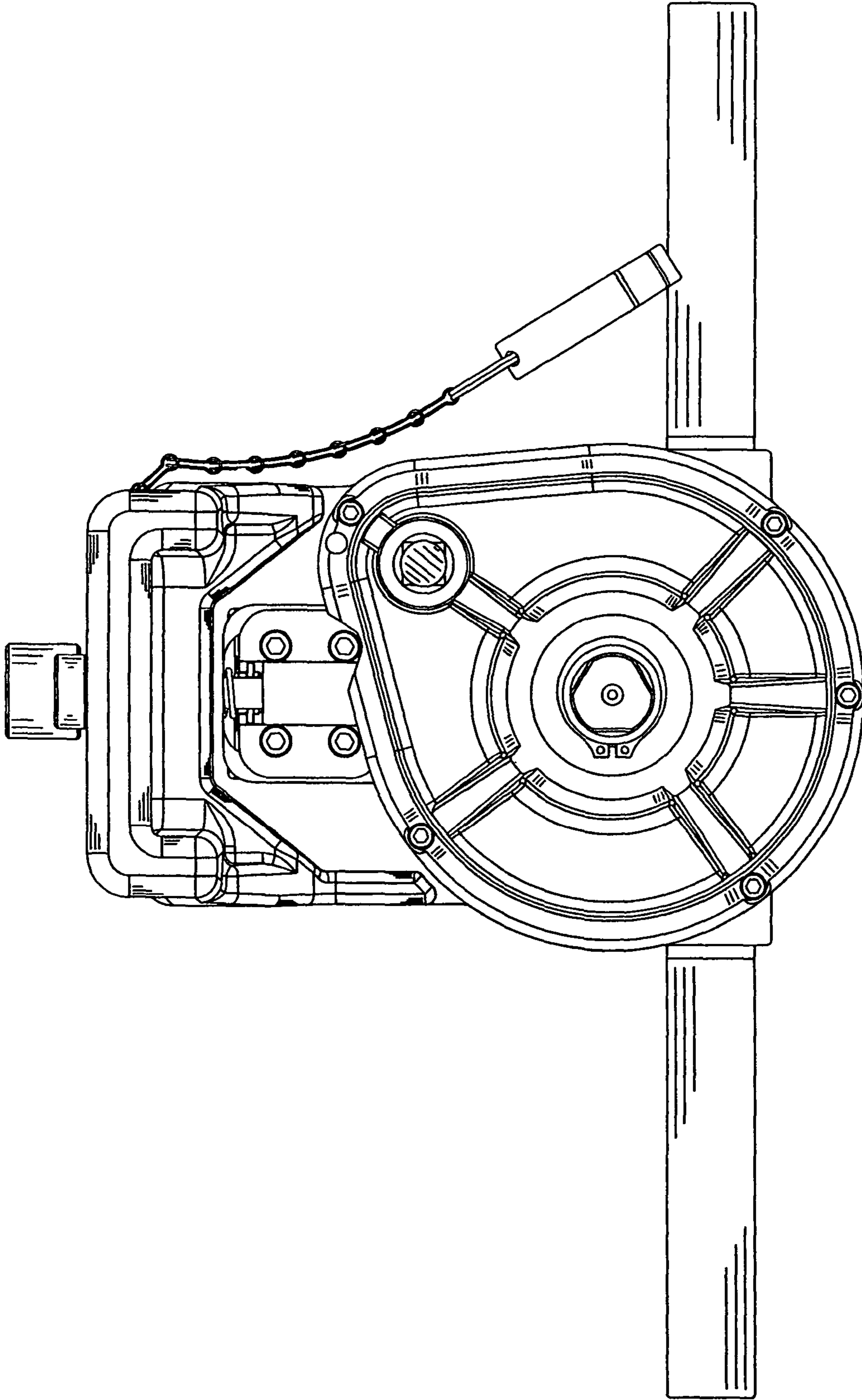


FIGURE 3

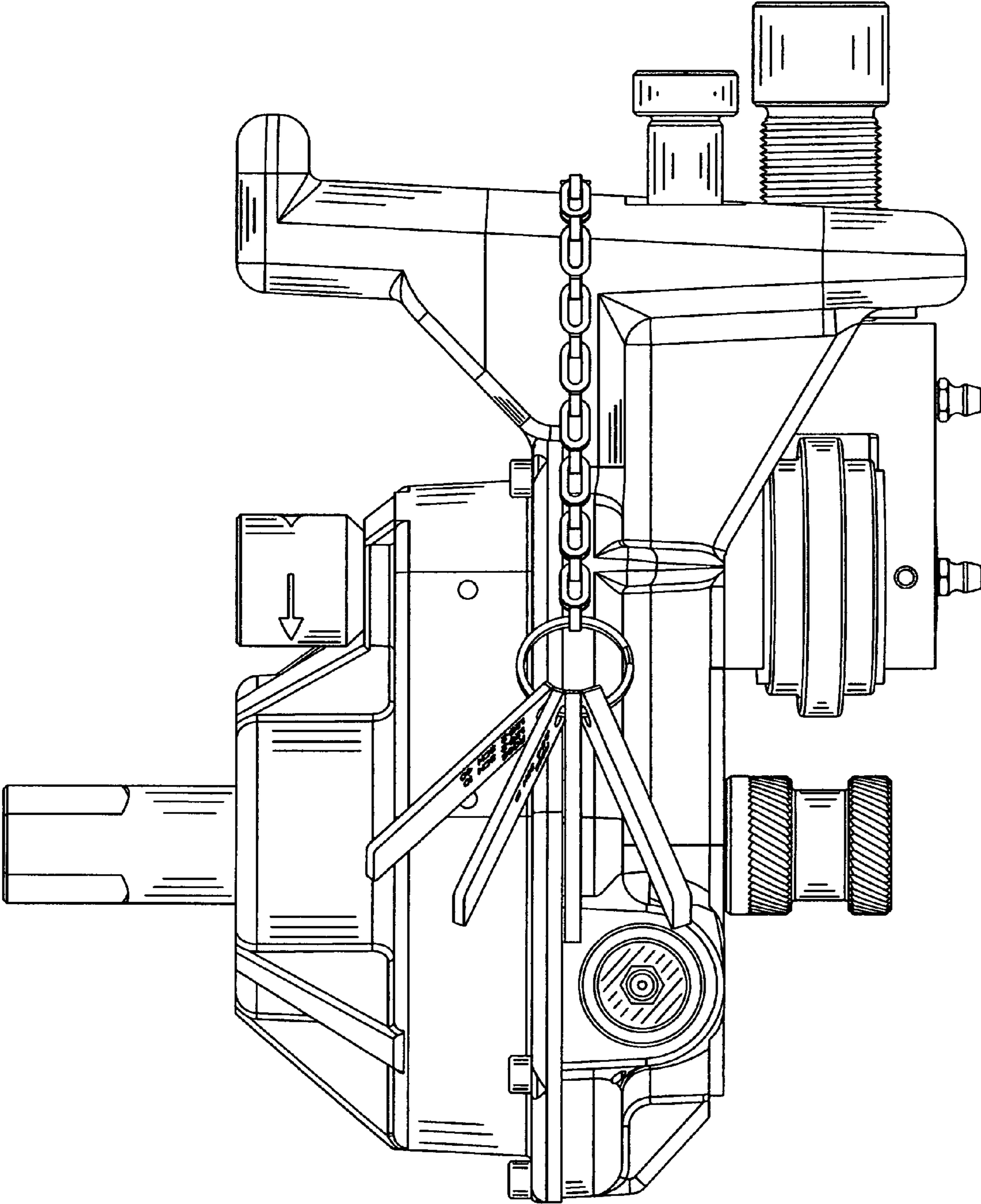


FIGURE 4

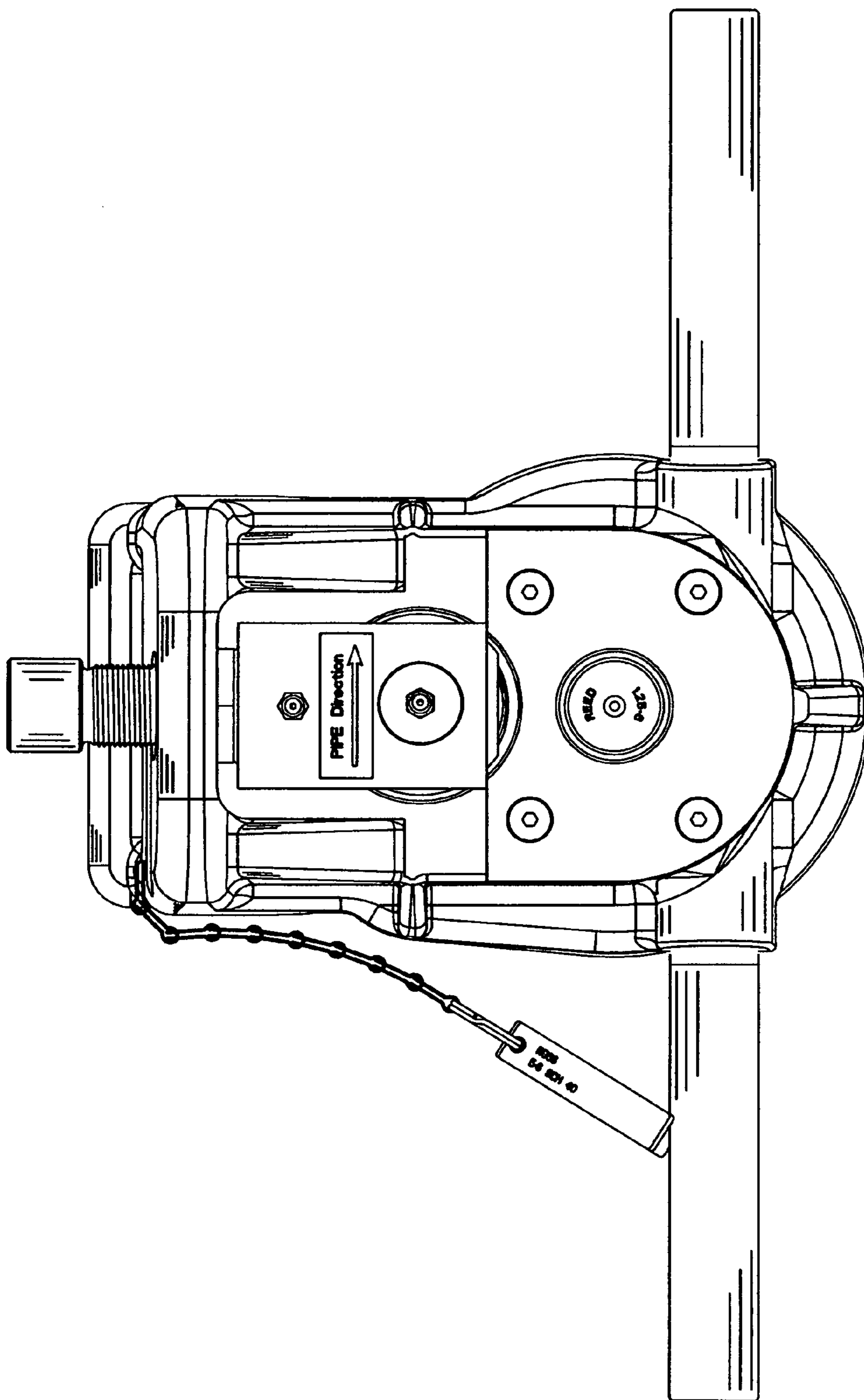


FIGURE 5

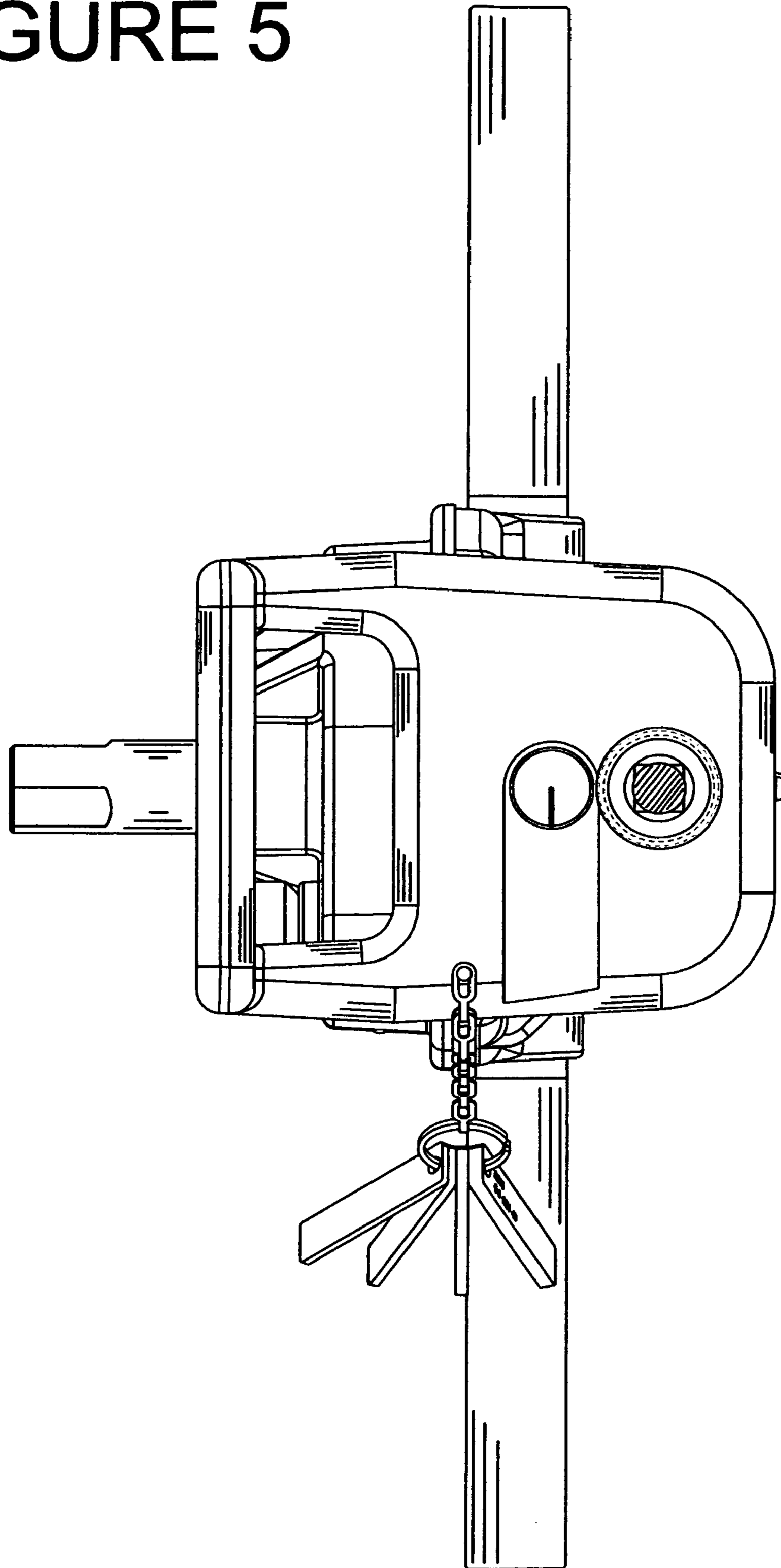


FIGURE 6

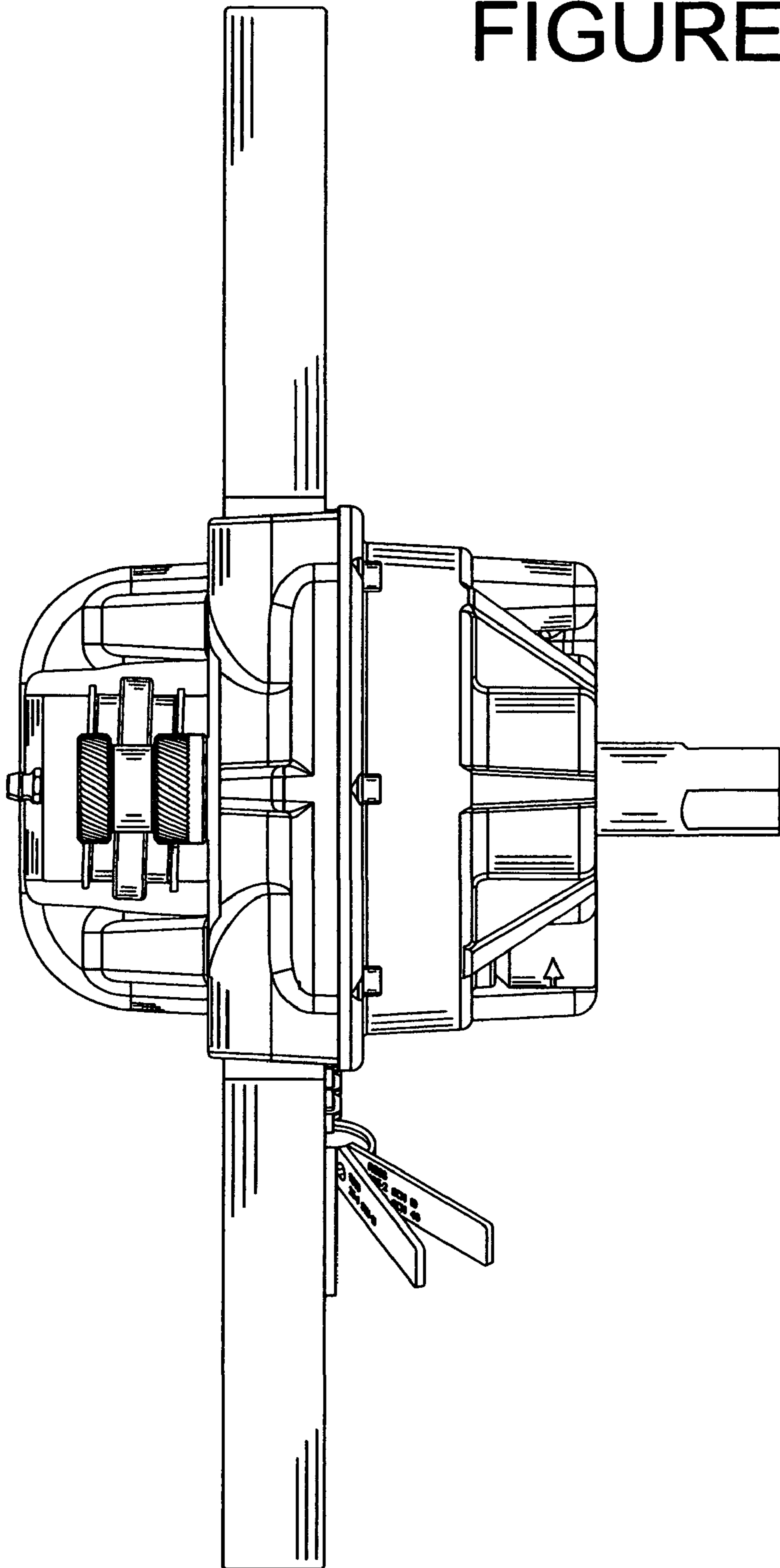
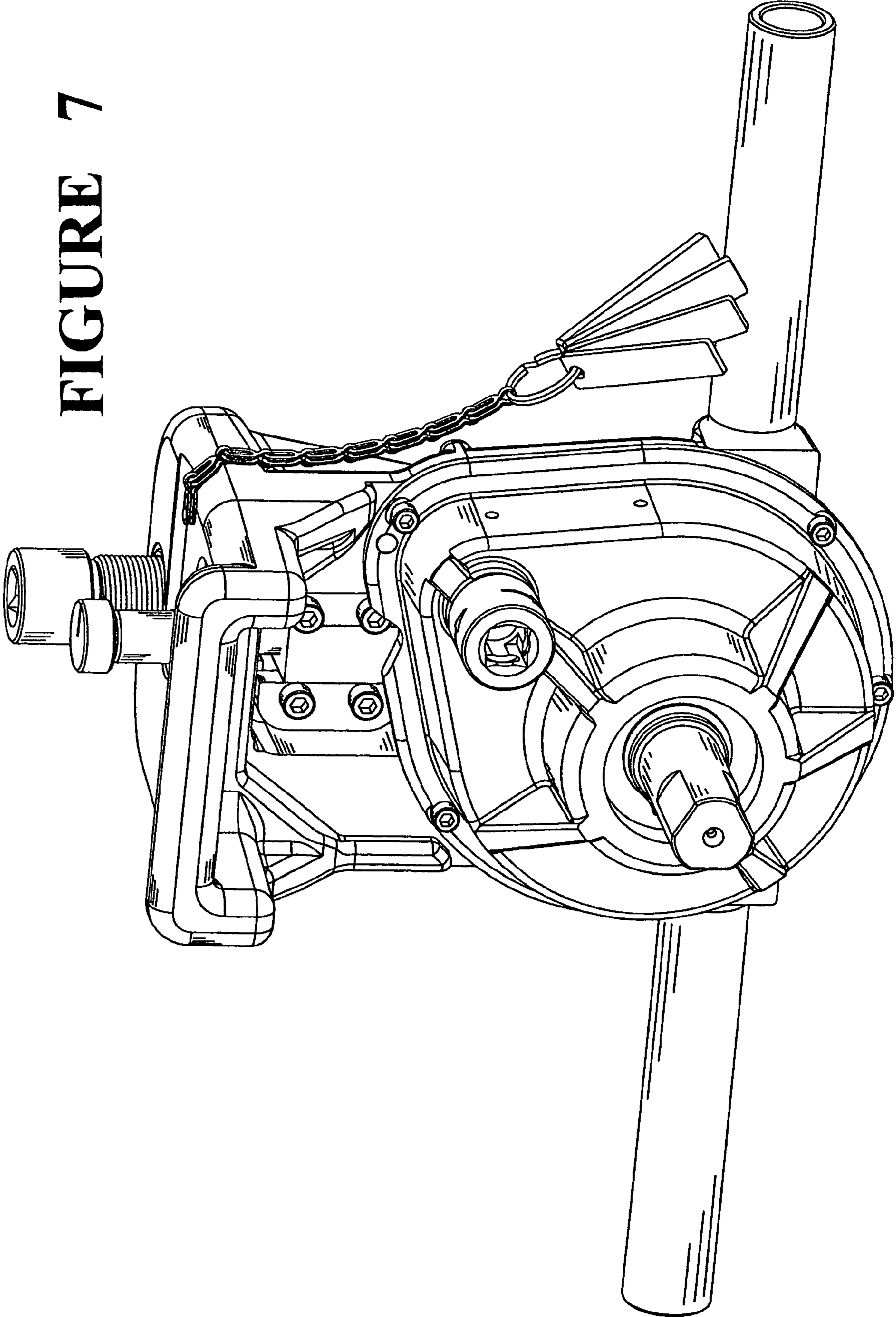


FIGURE 7



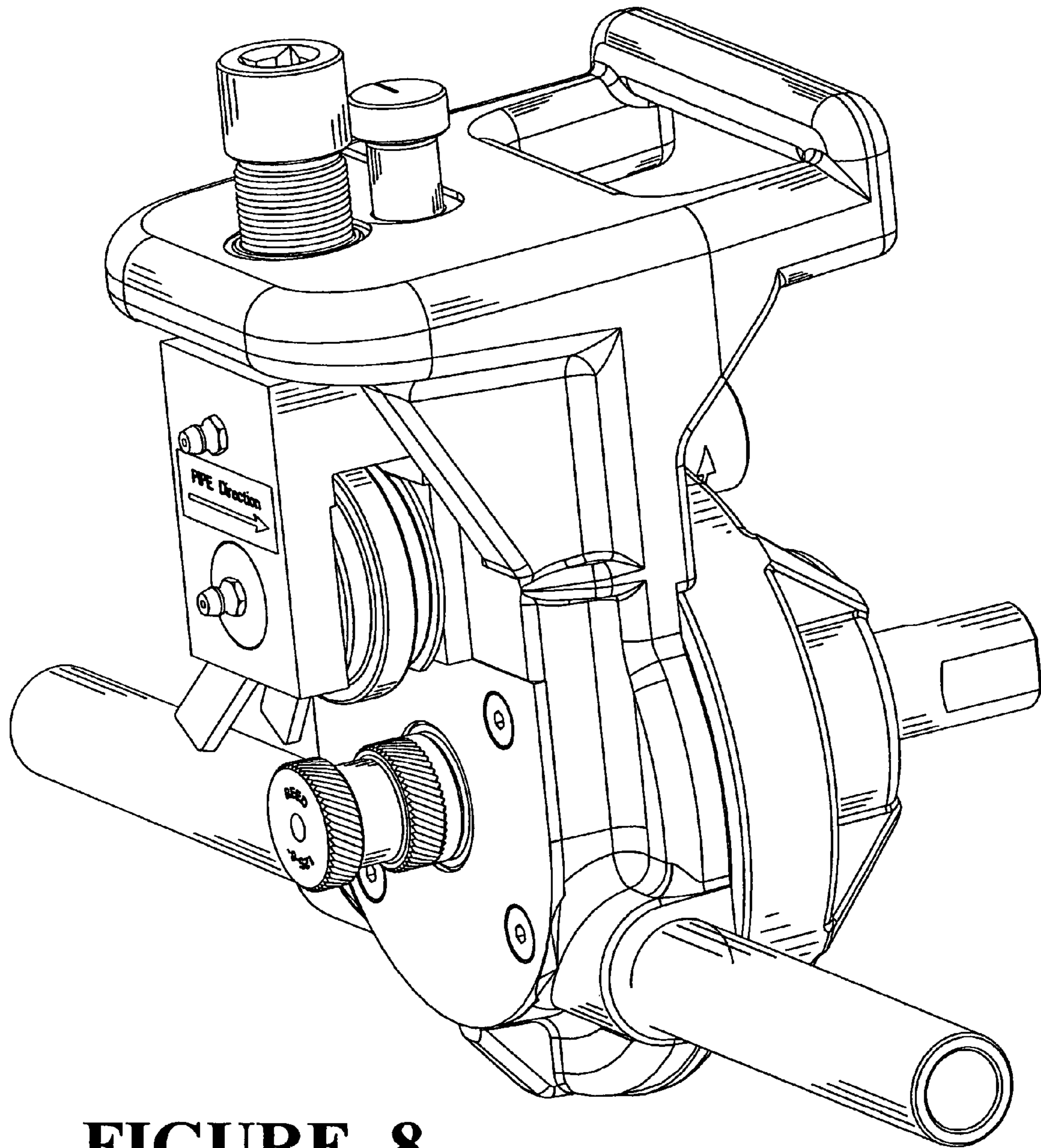


FIGURE 8