



US00D622736S

(12) **United States Design Patent**
Le et al.

(10) **Patent No.:** **US D622,736 S**
(45) **Date of Patent:** **** Aug. 31, 2010**

(54) **JET PUMP HOUSING**

(75) Inventors: **Kevin D. Le**, Richland Hills, TX (US);
Thanh Le, Grand Prairie, TX (US)

(73) Assignee: **LURACO Technologies, Inc.**,
Arlington, TX (US)

(**) Term: **14 Years**

(21) Appl. No.: **29/359,241**

(22) Filed: **Apr. 7, 2010**

Related U.S. Application Data

(63) Continuation-in-part of application No. 12/543,736,
filed on Aug. 19, 2009, which is a continuation-in-part
of application No. 12/405,938, filed on Mar. 17, 2009,
now abandoned.

(51) **LOC (9) Cl.** **15-02**

(52) **U.S. Cl.** **D15/7**

(58) **Field of Classification Search** D15/7-9;
D23/231, 232, 225; 417/410.1, 359, 415-416,
417/234, 321, 265, 405

See application file for complete search history.

(56) **References Cited**

U.S. PATENT DOCUMENTS

D490,819 S * 6/2004 Wahlberg D15/7
D574,855 S * 8/2008 Chu D15/9

* cited by examiner

Primary Examiner—Ralf Seifert

(74) *Attorney, Agent, or Firm*—Haynes and Boone, LLP

(57) **CLAIM**

The ornamental design for a jet pump housing, as shown and
described.

DESCRIPTION

FIG. 1 is a perspective view of the jet pump housing showing
our new design;

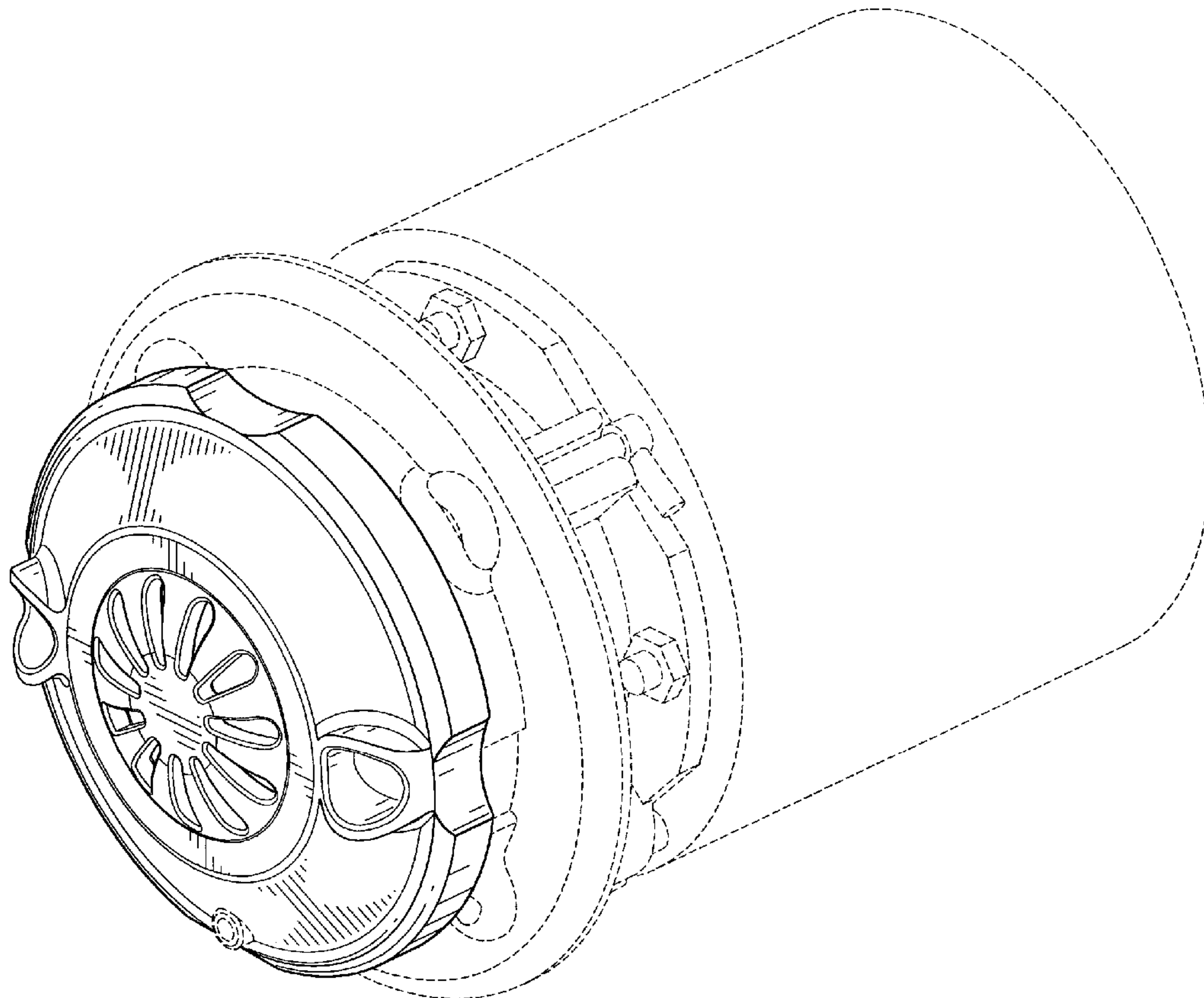
FIG. 2 is a front elevational view thereof;

FIG. 3 is a right side elevational view thereof;

FIG. 4 is a top plan view thereof; and,

FIG. 5 is a bottom plan view thereof.

1 Claim, 3 Drawing Sheets



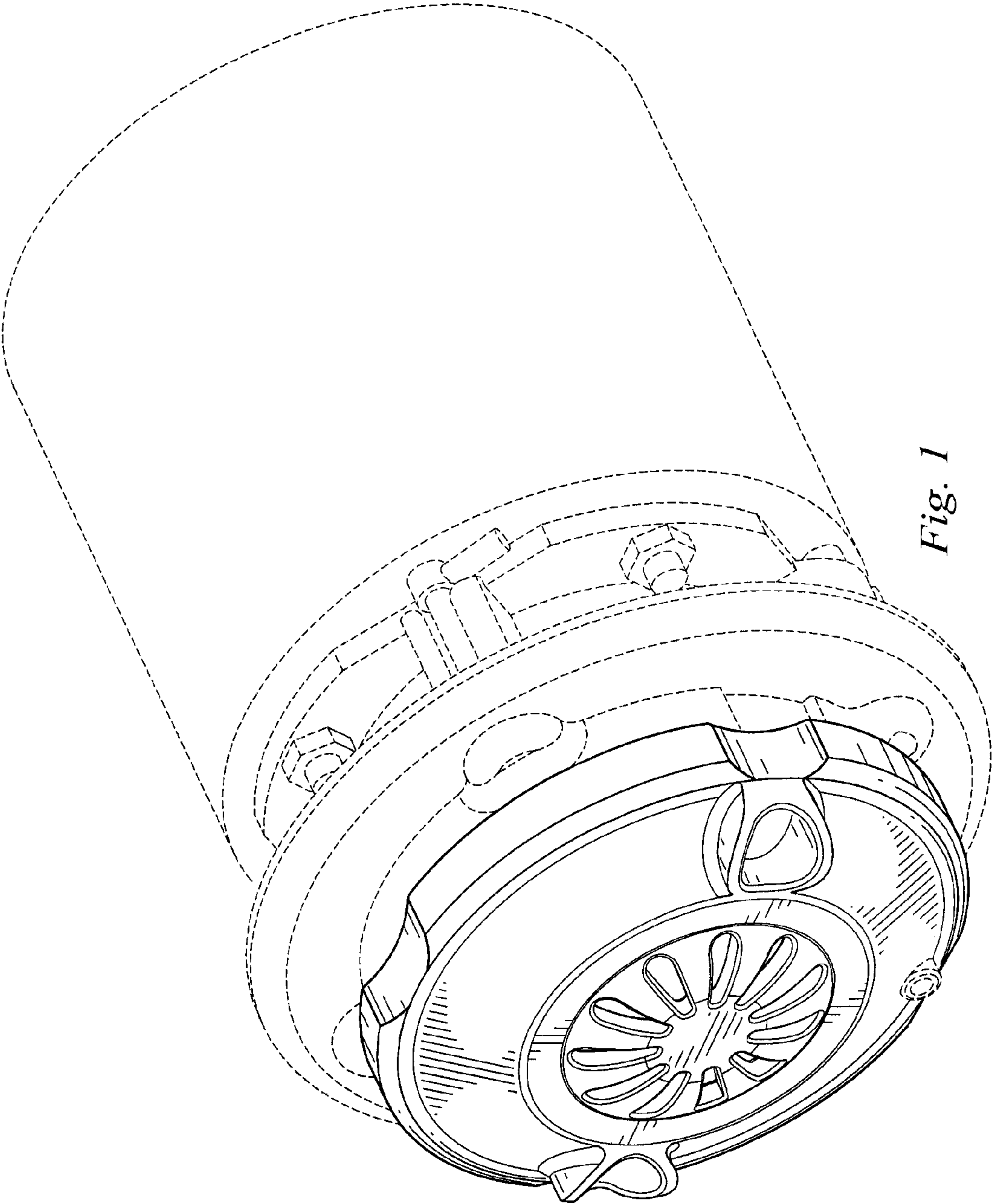


Fig. 1

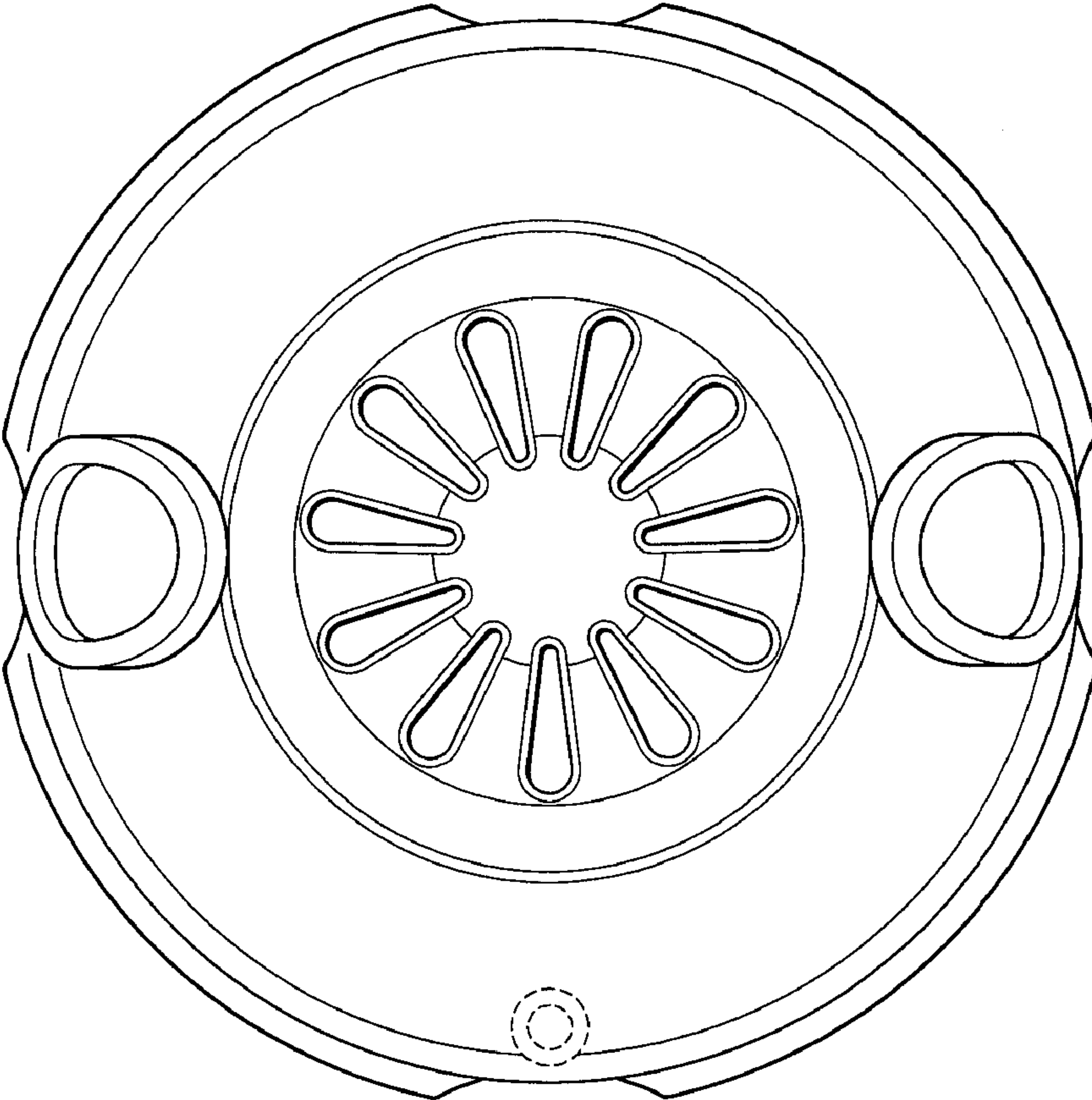


Fig. 2

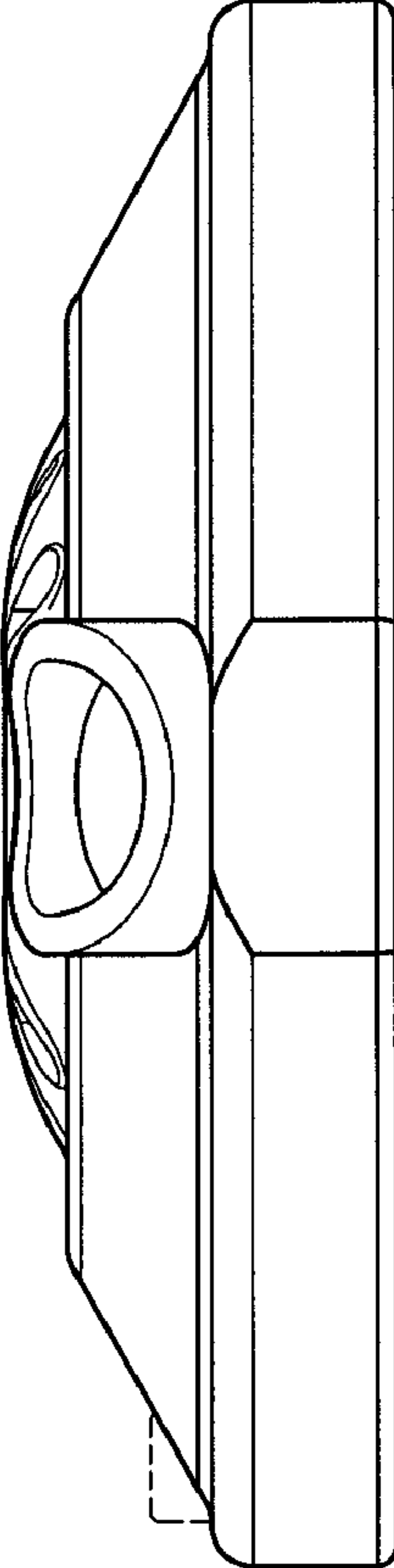


Fig. 3

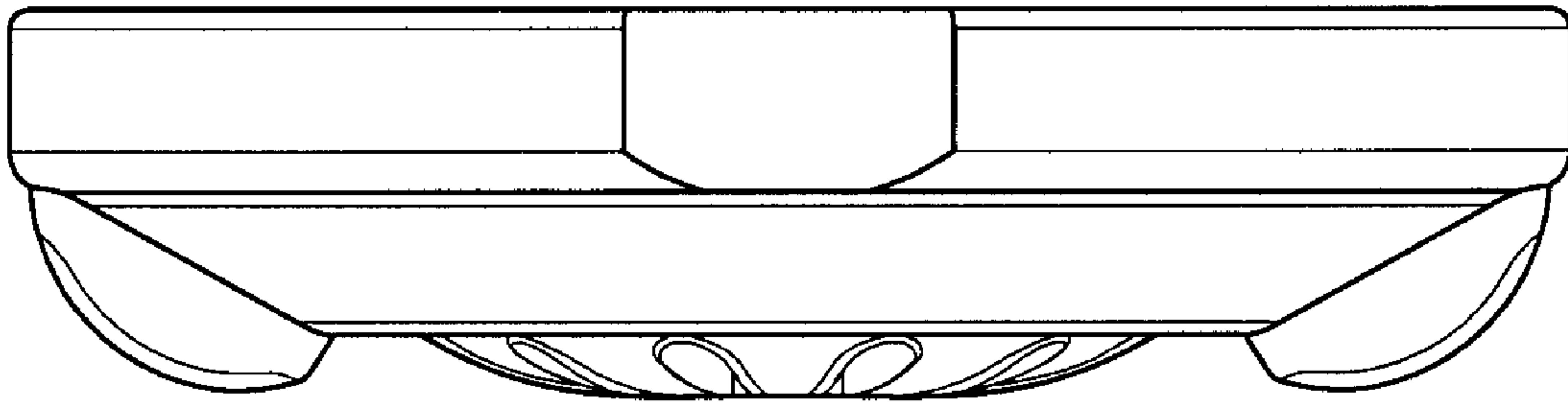


Fig. 4

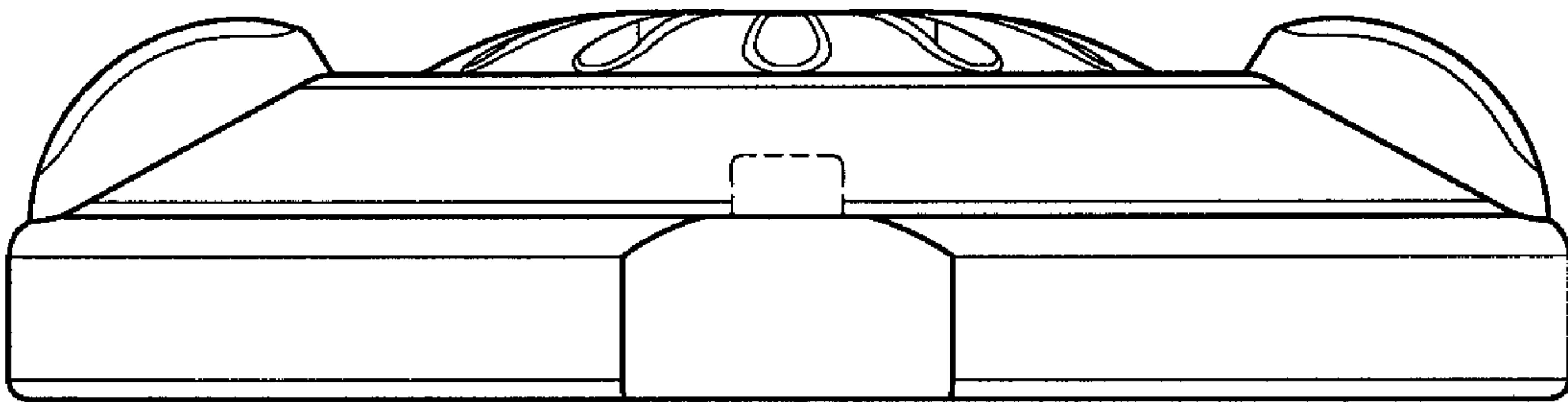


Fig. 5