



US00D622735S

(12) **United States Design Patent**
Bobby et al.

(10) **Patent No.:** **US D622,735 S**
(45) **Date of Patent:** **** Aug. 31, 2010**

(54) **PORT**

D498,820 S 11/2004 Fukai

(Continued)

(75) Inventors: **Brian Bobby**, North Ridgeville, OH
(US); **Travis G. Ramler**, Elyria, OH
(US)

FOREIGN PATENT DOCUMENTS

EP 214373 A1 3/1987

(Continued)

(73) Assignee: **Bendix Commercial Vehicle Systems LLC**, Elyria, OH (US)

OTHER PUBLICATIONS

(**) Term: **14 Years**

Bendix Service Data SD-03-824, Bendix TC-7 Trailer Control Brake Valve, 4 pages, Mar. 2004, printed USA.

(21) Appl. No.: **29/336,001**

(Continued)

(22) Filed: **Apr. 27, 2009**

Primary Examiner—Lisa P Lichtenstein

(74) *Attorney, Agent, or Firm*—Calfee, Halter & Griswold LLC

Related U.S. Application Data

(63) Continuation of application No. 29/257,626, filed on Apr. 7, 2006, now Pat. No. Des. 591,309.

(57) **CLAIM**

- (51) **LOC (9) Cl.** **15-01**
- (52) **U.S. Cl.** **D15/5**
- (58) **Field of Classification Search** D15/1,
D15/3, 5; D23/233, 245; 137/597, 596.13
See application file for complete search history.

We claim the ornamental design for a port, as shown and described.

DESCRIPTION

FIG. 1 is a perspective view of a port that is a first embodiment of the new design;

FIG. 2 is a front view of the port of FIG. 1;

FIG. 3 is a left side view of the port of FIG. 1;

FIG. 4 is a top view of the port of FIG. 1, the bottom side being a mirror image;

FIG. 5 is a right side view of the port of FIG. 1; and,

FIG. 6 is a perspective view showing the port of FIG. 1 on a valve body.

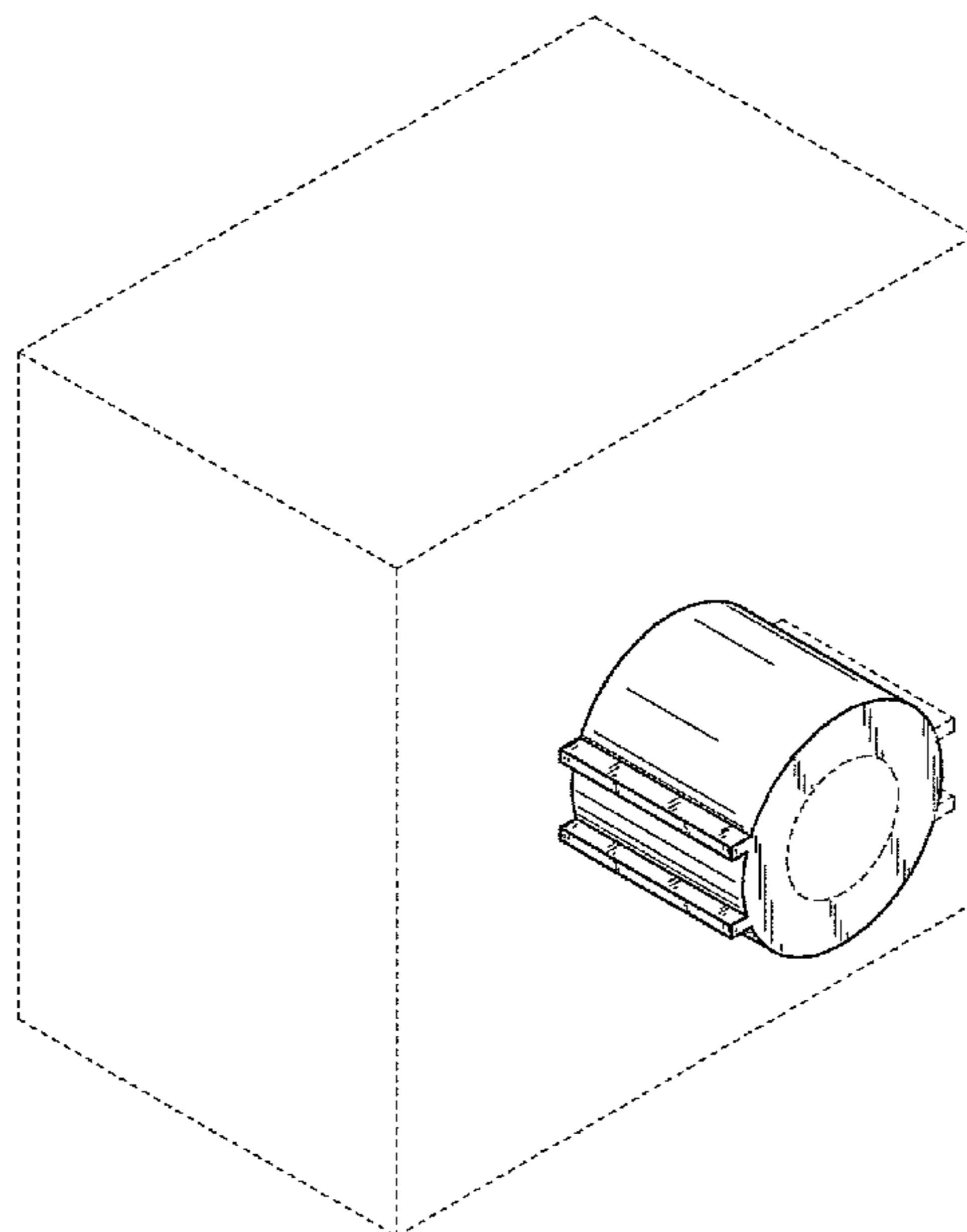
The broken line showing of a valve body is included for the purpose of illustrating environmental structure and forms no part of the claimed design.

(56) **References Cited**

U.S. PATENT DOCUMENTS

D297,256 S	8/1988	Schwarz
D360,459 S	7/1995	Tschaeppler
5,622,544 A	4/1997	Shamine et al.
5,853,024 A	12/1998	Life
6,094,836 A	8/2000	Mahoney et al.
D430,647 S	9/2000	Bergum et al.
6,581,297 B1	6/2003	Ginder
6,585,806 B2	7/2003	Quinn et al.
D482,435 S	11/2003	Kawakami et al.
6,701,709 B2	3/2004	Isaac, Jr. et al.
6,730,143 B1	5/2004	Nichols et al.
D495,036 S	8/2004	Fukai

1 Claim, 3 Drawing Sheets



US D622,735 S

Page 2

U.S. PATENT DOCUMENTS

D499,172 S 11/2004 Tripp et al.
6,824,594 B2 11/2004 Larsson
6,878,194 B2 4/2005 Hoffman et al.
D513,786 S 1/2006 Montano et al.
D518,874 S 4/2006 Takeda et al.
D519,188 S 4/2006 Hay
7,100,305 B2 9/2006 Hoffman et al.
D542,888 S 5/2007 Ye et al.
D546,419 S 7/2007 Steinberg
D546,920 S 7/2007 Fulkerson
7,273,072 B2 9/2007 Muller
D570,880 S 6/2008 Miller et al.
D574,940 S 8/2008 Quinn et al.
D578,549 S 10/2008 Nimberger
7,469,708 B2 12/2008 Koester
7,544,234 B2 6/2009 Fornof
D597,630 S 8/2009 Easton
7,568,496 B2 8/2009 Kraenzle

D604,821 S 11/2009 Quinn et al.
D606,163 S * 12/2009 Bobby et al. D23/233
D607,087 S * 12/2009 Bobby et al. D23/233
2002/0017283 A1 2/2002 Furuya
2004/0083893 A1 5/2004 Larsson
2007/0084348 A1 4/2007 Hoffman et al.
2008/0307965 A1 12/2008 Hoffman et al.
2009/0199523 A1 8/2009 Hilberer

FOREIGN PATENT DOCUMENTS

WO 8911054 A1 11/1989

OTHER PUBLICATIONS

Bendix Service Data SD-03-821, Bendix TC-6 Trailer Control Brake Valve, 4 pages, Mar. 2004, printed USA.
Bendix Air System Components 03, Brake Valves, 5 pages, Mar. 2004, printed USA.

* cited by examiner

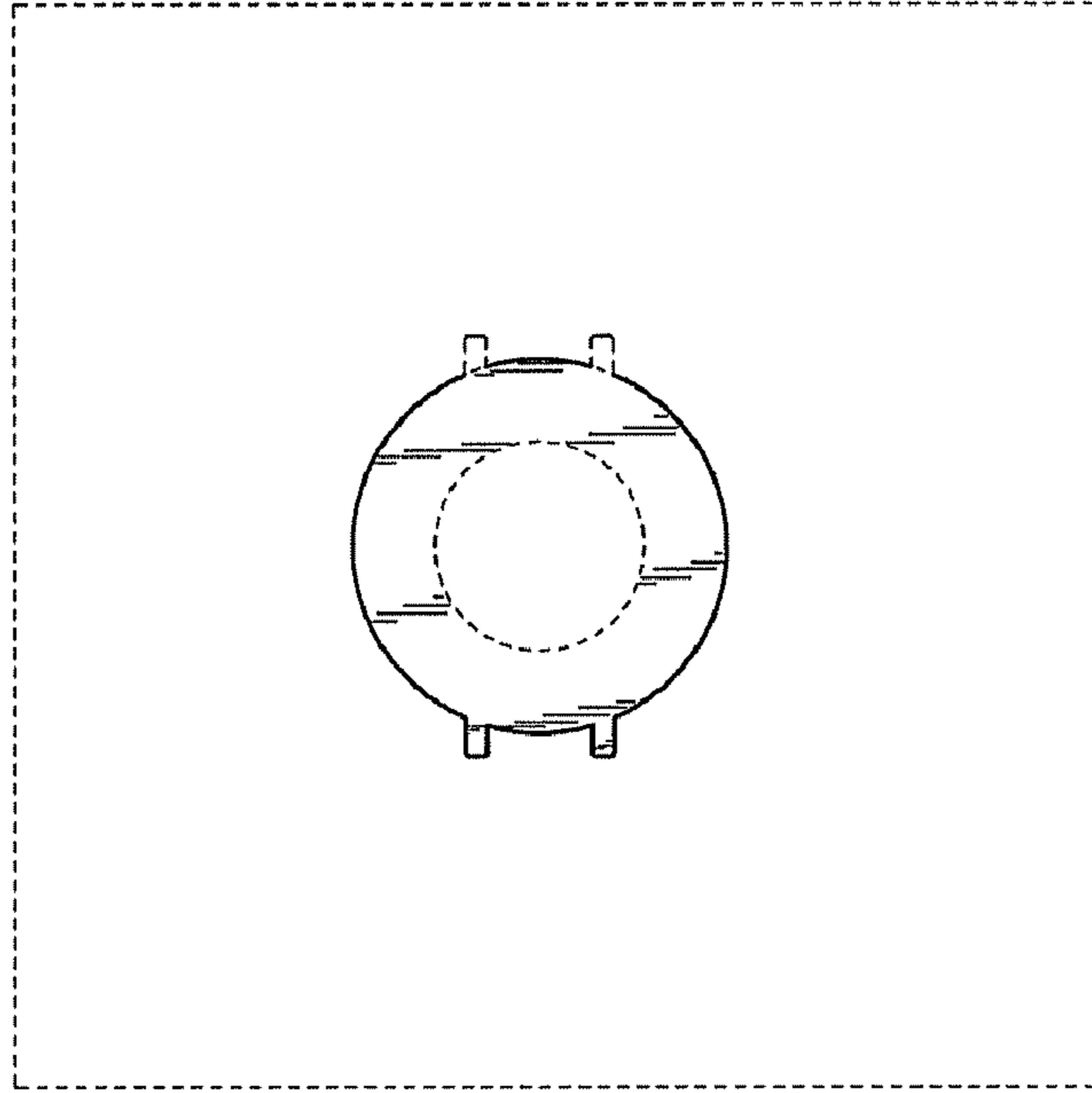


Fig.2

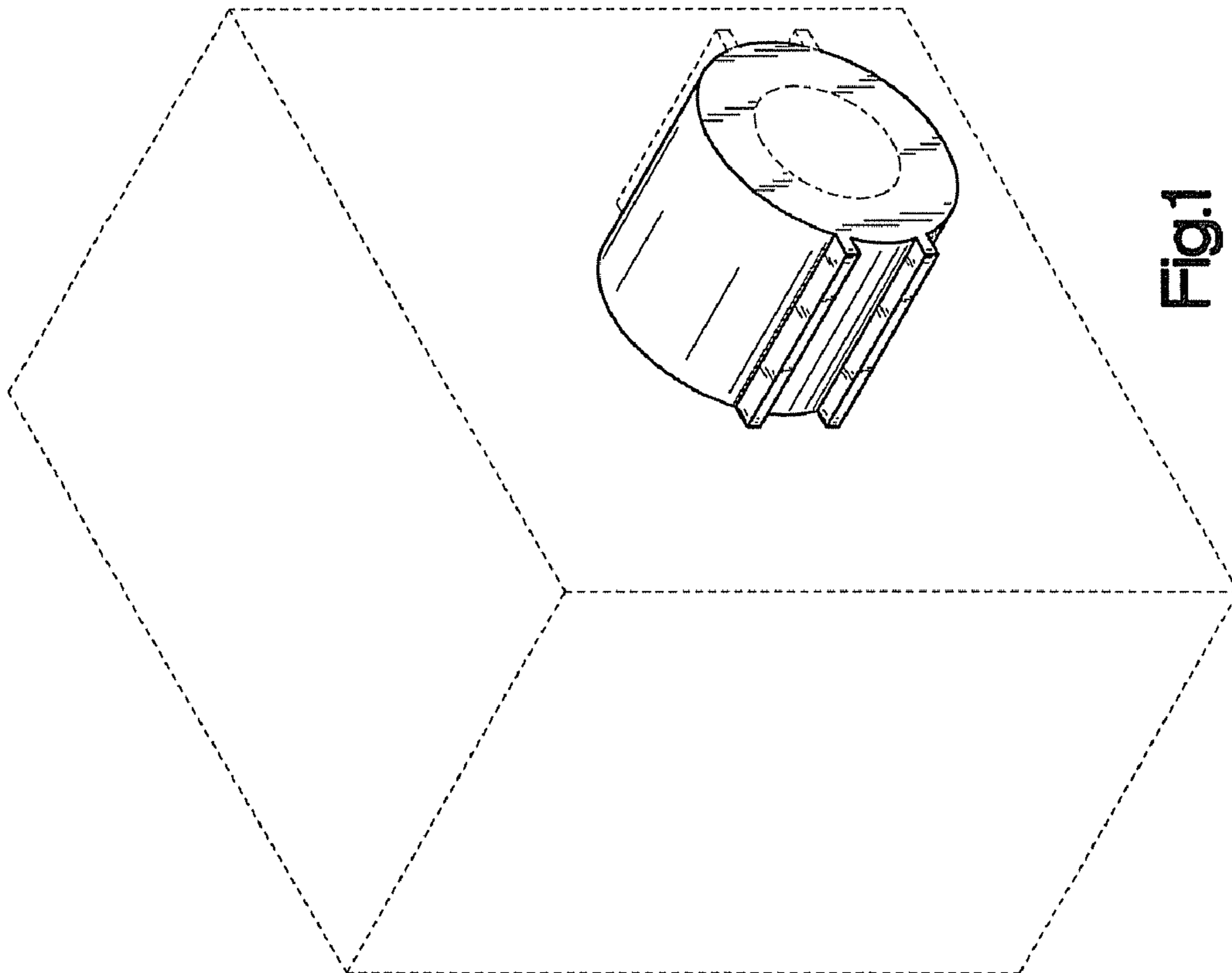


Fig.1

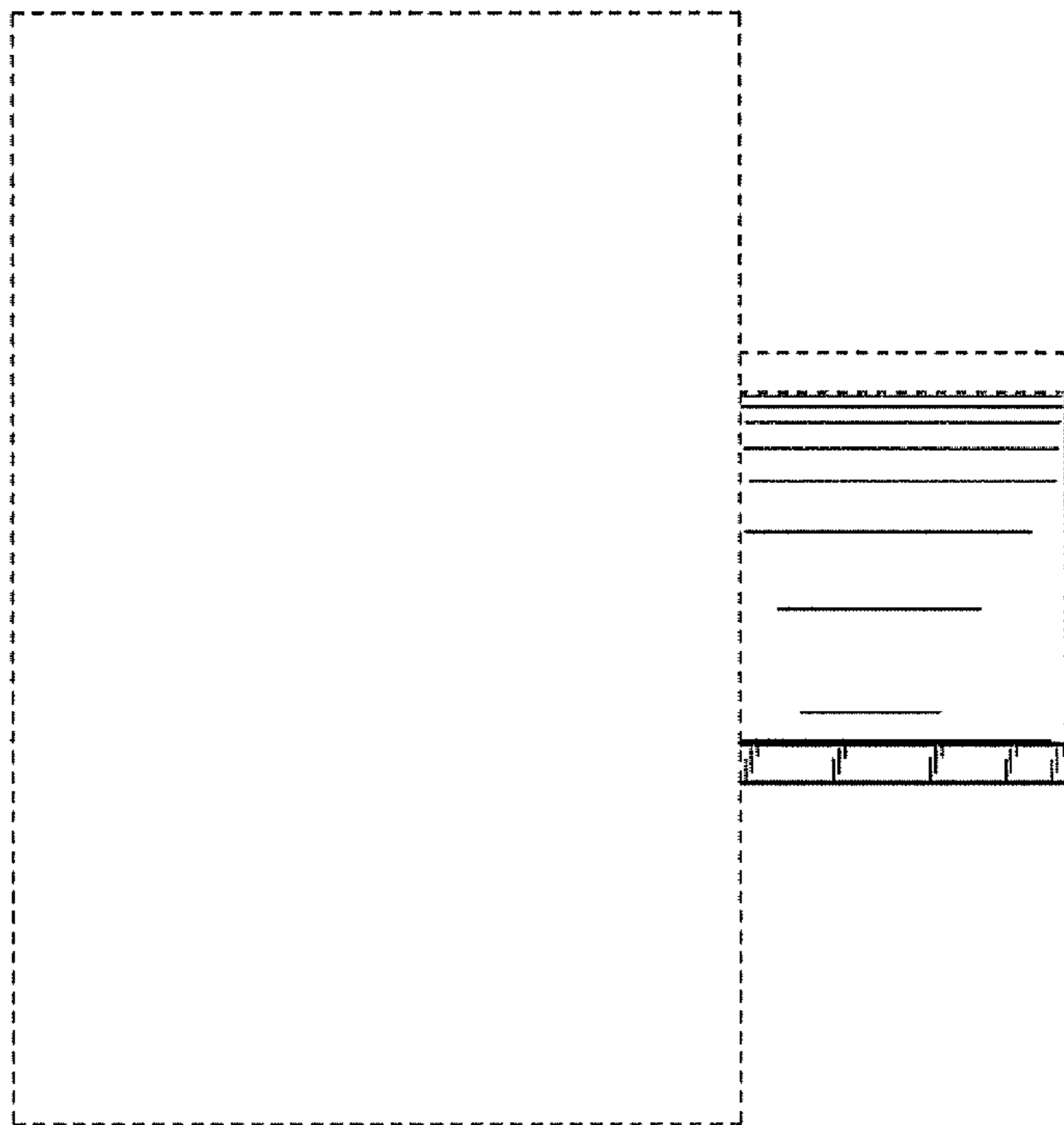


Fig.4

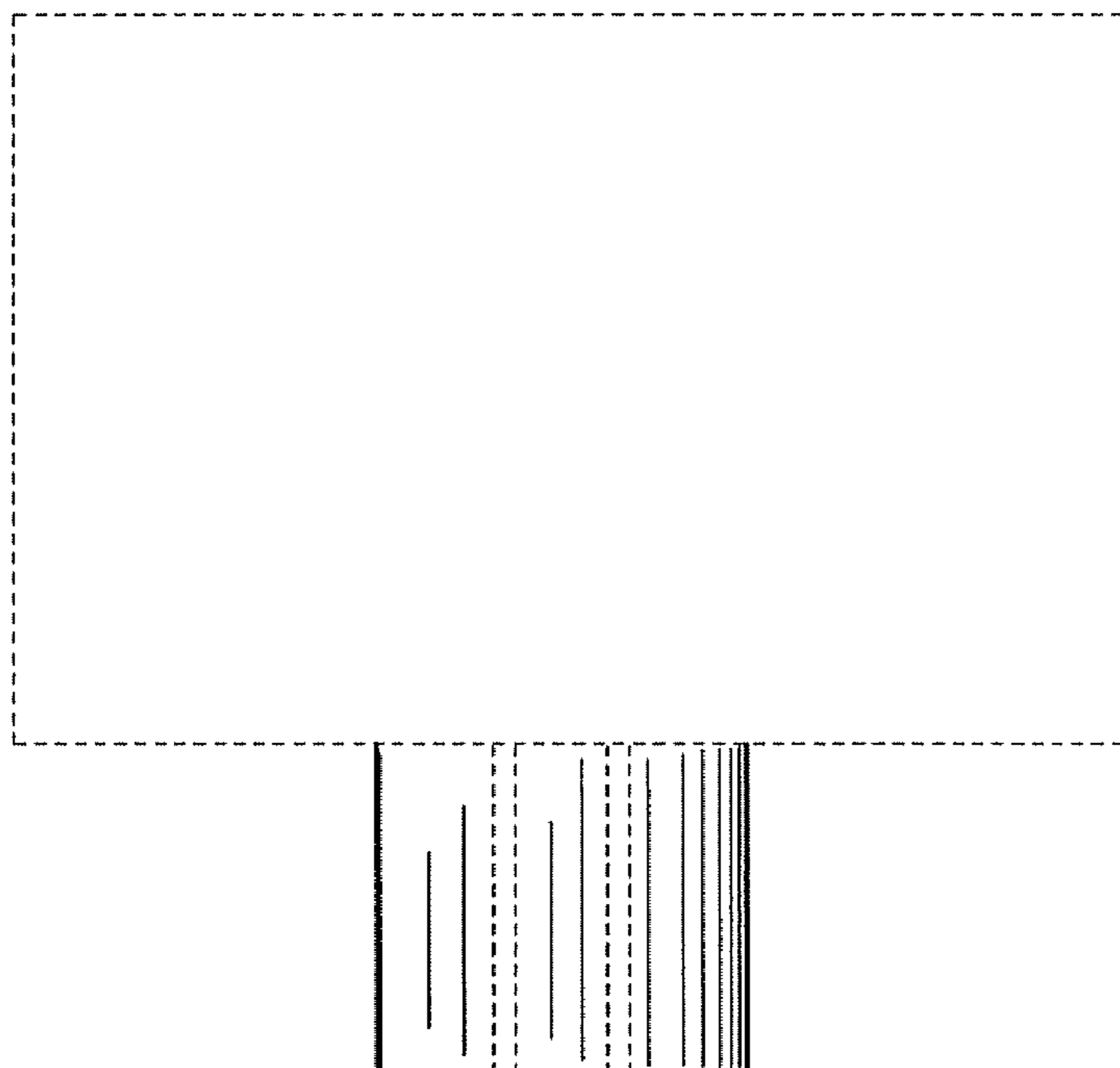


Fig.3

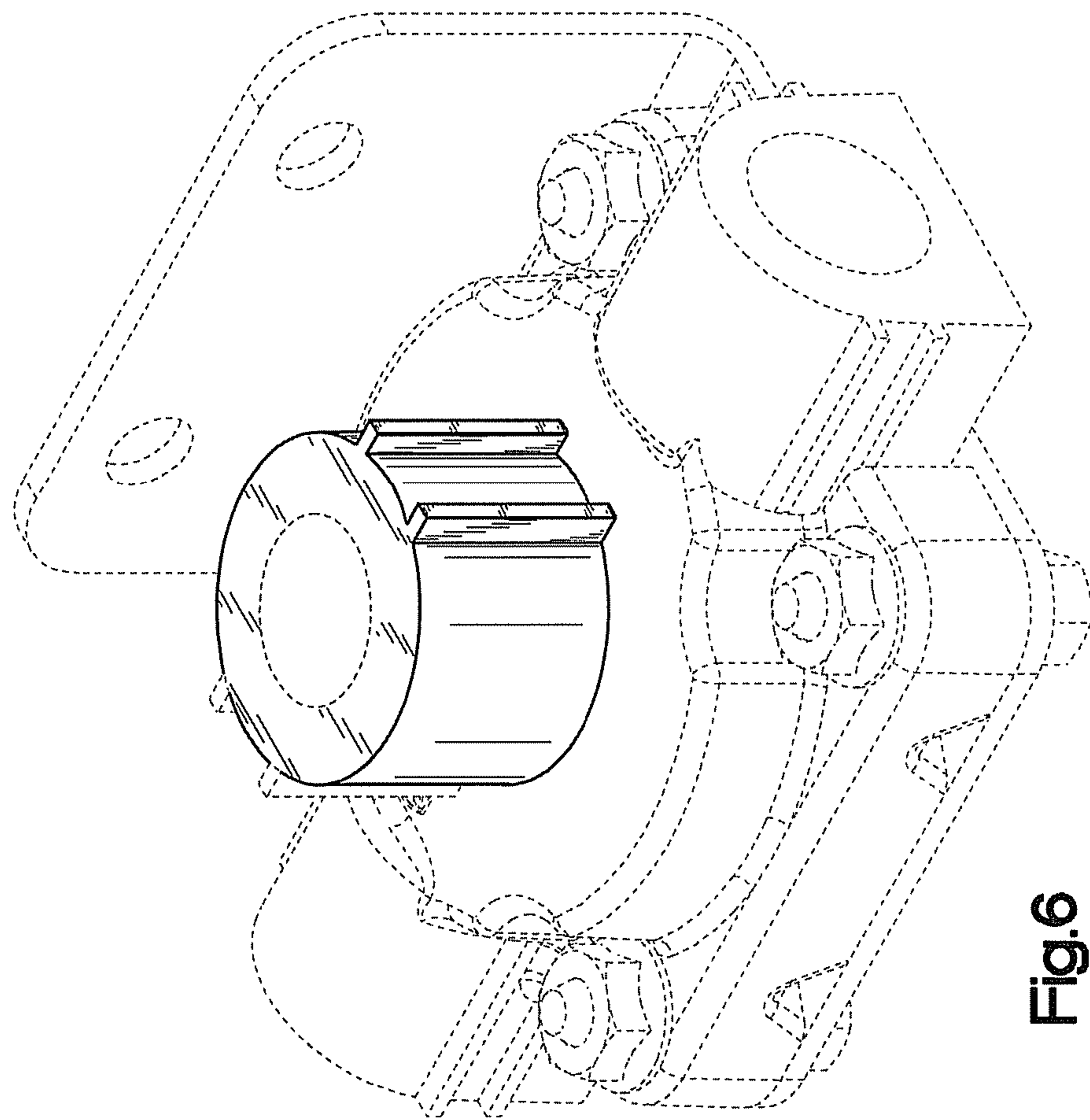


Fig.6

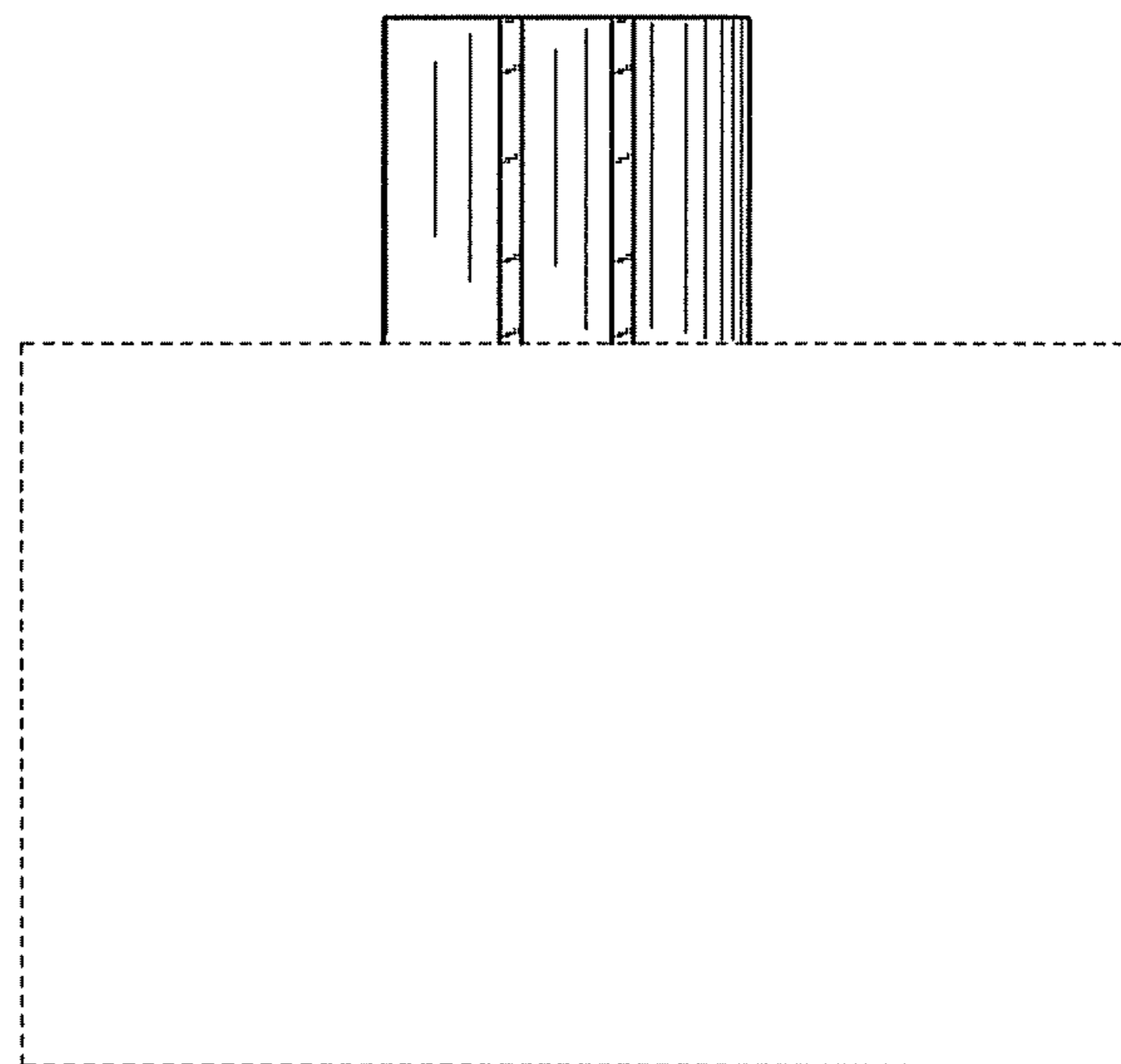


Fig.5