



US00D622729S

(12) **United States Design Patent**  
**Oda et al.**

(10) **Patent No.:** **US D622,729 S**  
(45) **Date of Patent:** **\*\* Aug. 31, 2010**

(54) **ELECTRONIC CAMERA**

(75) Inventors: **Akemi Oda**, Tokyo (JP); **Chinatsu Watanabe**, Tokyo (JP); **Yuuki Okabe**, Tokyo (JP); **Atsushi Misawa**, Saitama (JP)

(73) Assignee: **Fujifilm Corporation**, Tokyo (JP)

(\*\*) Term: **14 Years**

(21) Appl. No.: **29/350,551**

(22) Filed: **Nov. 18, 2009**

5,920,313 A	7/1999	Diedrichsen et al.	
5,986,703 A *	11/1999	O'Mahony	348/333.12
D423,484 S	4/2000	Dangelmaier et al.	
6,075,531 A	6/2000	DeStefano	
D430,885 S	9/2000	Coleman	
6,232,970 B1	5/2001	Bodnar et al.	
6,300,951 B1	10/2001	Filetto et al.	
6,310,648 B1 *	10/2001	Miller et al.	348/333.05
6,411,337 B2 *	6/2002	Cove et al.	348/563
6,542,168 B2	4/2003	Negishi	
6,597,358 B2	7/2003	Miller	
6,636,264 B1 *	10/2003	Nakao et al.	348/375
6,654,559 B2 *	11/2003	Aoyama	396/266

(Continued)

**Related U.S. Application Data**

(62) Division of application No. 29/274,033, filed on Mar. 22, 2007, now Pat. No. Des. 609,714.

(51) **LOC (9) Cl.** ..... **32-00**

(52) **U.S. Cl.** ..... **D14/485**

(58) **Field of Classification Search** ..... D14/485-495;  
D18/24-33; D19/6, 52; D20/11; D21/324-333;  
715/700-867, 973-977; 345/757, 782, 848,  
345/852, 850, 809, 837, 798, 752, 163, 156,  
345/537, 474, 836, 419, 649, 656, 659, 426,  
345/427, 582, 428, 440, 660, 634, 902, 418,  
345/629, 700, 744, 747, 473, 60; 705/10,  
705/5; 709/223; 348/207.1, E5.024, E5.042,  
348/E5.047, 333.12, 333.02, 333.01, 373,  
348/207.11, 207.2, 211.1, 376, 231.99, 323,  
348/333.05, 231.5, E5.045, E5.055, 333.11;  
396/299, 291, 311; 710/35, 36, 38

See application file for complete search history.

(56) **References Cited**

**U.S. PATENT DOCUMENTS**

5,530,795 A	6/1996	Wan	
5,708,786 A	1/1998	Teruuchi	
5,727,174 A	3/1998	Aparicio et al.	
5,754,230 A *	5/1998	Tsuruta	348/333.12
5,862,419 A *	1/1999	Goto et al.	396/121
5,903,309 A *	5/1999	Anderson	348/333.02

*Primary Examiner*—Susan Moon Lee

(74) *Attorney, Agent, or Firm*—Young & Thompson

(57) **CLAIM**

The ornamental design for an electronic camera, as shown.

**DESCRIPTION**

FIG. 1 is a front view of an electronic camera according to a first embodiment of the present design;

FIG. 2 is a rear view thereof;

FIG. 3 is a top view thereof;

FIG. 4 is a bottom view thereof;

FIG. 5 is a right side view thereof; and

FIG. 6 is a left side view thereof.

FIG. 7 is a front view of the electronic camera according to a second embodiment of the present design;

FIG. 8 is a rear view thereof;

FIG. 9 is a top view thereof;

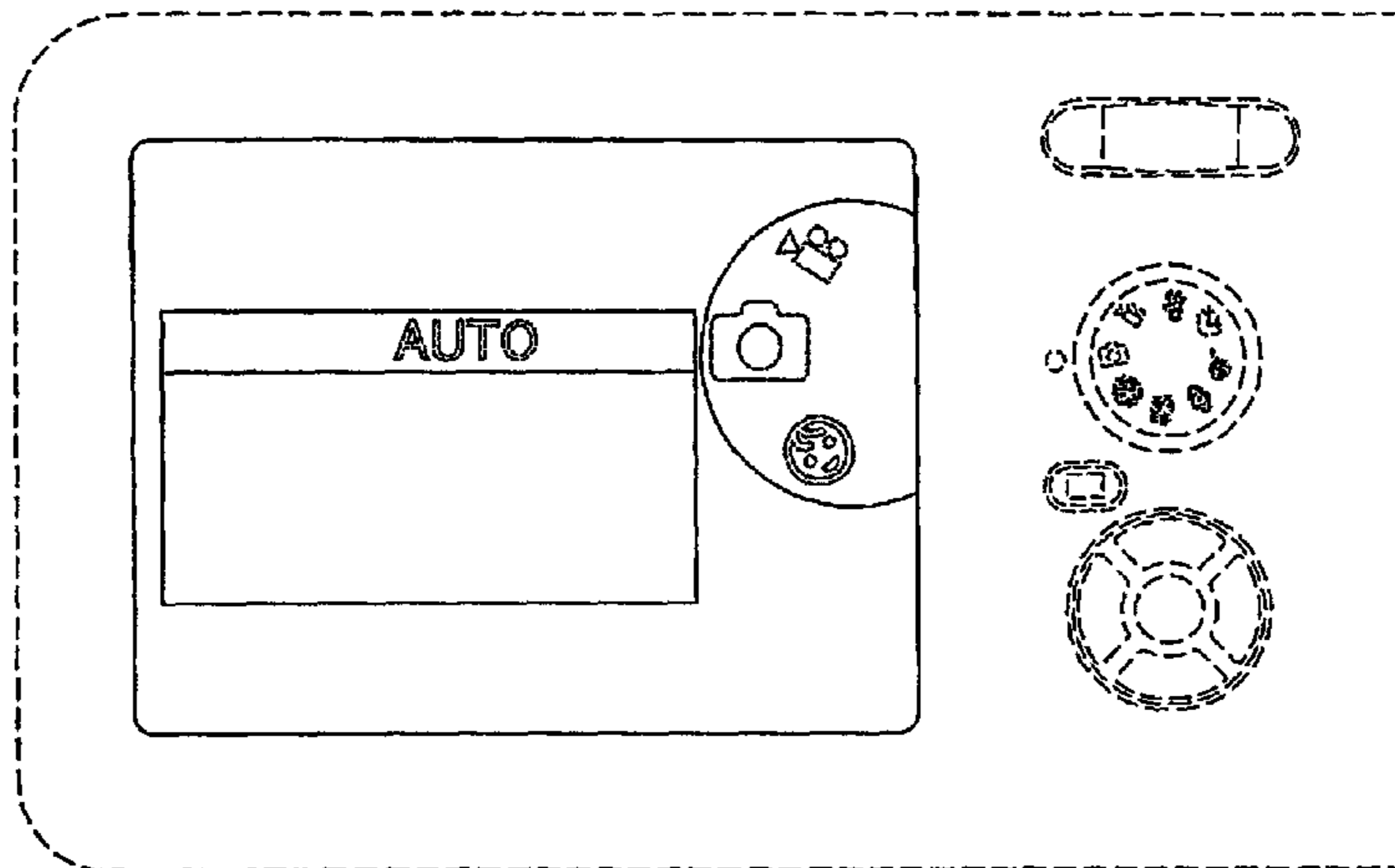
FIG. 10 is a bottom view thereof;

FIG. 11 is a right side view thereof; and,

FIG. 12 is a left side view thereof.

The portions shown in broken line are not claimed.

**1 Claim, 6 Drawing Sheets**



# US D622,729 S

Page 2

## U.S. PATENT DOCUMENTS

6,680,749	B1 *	1/2004	Anderson et al. ....	348/231.99			
6,683,653	B1 *	1/2004	Miyake et al. ....	348/373			
D496,370	S	9/2004	Gildred				
6,829,009	B2 *	12/2004	Sugimoto .....	348/333.02			
D501,211	S	1/2005	Ligameri et al.				
6,919,927	B1 *	7/2005	Hyodo .....	348/333.02			
6,996,783	B2	2/2006	Brown et al.				
7,034,881	B1 *	4/2006	Hyodo et al. ....	348/333.12			
7,057,658	B1 *	6/2006	Shioji et al. ....	348/333.12			
7,061,535	B2 *	6/2006	Misawa et al. ....	348/375			
7,110,032	B2 *	9/2006	Furukawa .....	348/333.02			
7,265,786	B2 *	9/2007	Venturino et al. ....	348/333.02			
7,265,851	B2 *	9/2007	Kinjo .....	358/1.1			
7,274,400	B2 *	9/2007	Hyodo et al. ....	348/333.02			
7,298,409	B1 *	11/2007	Misawa .....	348/333.01			
7,317,479	B2 *	1/2008	Cazier et al. ....	348/240.99			
7,317,485	B1 *	1/2008	Miyake et al. ....	348/333.02			
7,319,490	B2 *	1/2008	Kanamori et al. ....	348/375			
7,430,008	B2 *	9/2008	Ambiru et al. ....	348/333.12			
7,450,169	B2 *	11/2008	Jeon et al. ....	348/333.11			
7,479,984	B2 *	1/2009	Tanaka et al. ....	348/207.2			
7,480,873	B2	1/2009	Kawahara				
7,515,190	B2 *	4/2009	Kobayashi et al. ....	348/333.01			
7,576,779	B2 *	8/2009	Tanaka et al. ....	348/211.4			
7,639,300	B2 *	12/2009	Yumiki .....	348/333.12			
7,649,563	B2 *	1/2010	Lee .....	348/333.02			
7,675,530	B2 *	3/2010	Koresawa et al. ....	345/690			
7,701,500	B2 *	4/2010	Aizawa et al. ....	348/333.01			
2002/0030754	A1 *	3/2002	Sugimoto .....	348/333.02			
2002/0080185	A1	6/2002	Boeuf				
2002/0118227	A1	8/2002	Salvatore				
2002/0171682	A1	11/2002	Frank et al.				
2003/0011639	A1	1/2003	Webb				
2003/0142143	A1	7/2003	Brown et al.				
2003/0164856	A1	9/2003	Prager et al.				
2003/0169298	A1	9/2003	Ording				
2003/0189597	A1	10/2003	Anderson et al.				
2003/0197732	A1	10/2003	Gupta				
2003/0226115	A1	12/2003	Wall et al.				
2004/0017481	A1 *	1/2004	Takasumi et al. ....	348/207.99			
2004/0017499	A1 *	1/2004	Ambiru .....	348/333.12			
2004/0032522	A1 *	2/2004	Koeda et al. ....	348/333.12			
2004/0046886	A1 *	3/2004	Ambiru et al. ....	348/333.12			
2004/0046887	A1 *	3/2004	Ikehata et al. ....	348/333.12			
2004/0201679	A1 *	10/2004	Carcia .....	348/207.1			
2004/0227835	A1 *	11/2004	Seki .....	348/333.02			
2004/0239792	A1 *	12/2004	Shibutani et al. ....	348/333.12			
2004/0255254	A1	12/2004	Weingart et al.				
2005/0001902	A1 *	1/2005	Brogan et al. ....	348/207.1			
2005/0024515	A1 *	2/2005	Ikehata et al. ....	348/333.02			
2005/0083406	A1 *	4/2005	Cozier .....	348/207.1			
2005/0083425	A1 *	4/2005	Cozier et al. ....	348/333.02			
2005/0195294	A1 *	9/2005	Kim et al. ....	348/239			
2005/0212943	A1 *	9/2005	Karasaki et al. ....	348/333.02			
2005/0219386	A1 *	10/2005	Stavelly et al. ....	348/240.3			
2005/0225658	A1 *	10/2005	Ikehata .....	348/333.01			
2005/0231625	A1 *	10/2005	Parulski et al. ....	348/333.12			
2005/0237411	A1 *	10/2005	Watanabe .....	348/333.02			
2006/0001757	A1 *	1/2006	Sawachi .....	348/333.12			
2006/0087578	A1 *	4/2006	Hong et al. ....	348/333.01			
2006/0098112	A1 *	5/2006	Kelly .....	348/333.12			
2006/0101350	A1	5/2006	Scott				
2006/0103751	A1 *	5/2006	Lee .....	348/333.02			
2006/0112354	A1	5/2006	Park et al.				
2006/0146166	A1 *	7/2006	Abe et al. ....	348/333.01			
2006/0187331	A1 *	8/2006	Watanabe et al. ....	348/333.01			
2006/0221223	A1 *	10/2006	Terada .....	348/333.05			
2007/0024736	A1 *	2/2007	Matsuda et al. ....	348/333.12			
2007/0052832	A1 *	3/2007	Bae et al. ....	348/333.12			
2007/0058064	A1 *	3/2007	Hara et al. ....	348/333.01			
2007/0070203	A1 *	3/2007	Yang et al. ....	348/207.1			
2007/0086648	A1 *	4/2007	Hayashi .....	382/154			
2007/0126877	A1 *	6/2007	Yang .....	348/207.99			
2007/0159533	A1 *	7/2007	Ayaki .....	348/207.99			
2007/0200945	A1 *	8/2007	Inukai .....	348/333.02			
2007/0211157	A1 *	9/2007	Humpoletz et al. ....	348/333.01			
2007/0263092	A1 *	11/2007	Fedorovskaya et al. ..	348/207.1			
2007/0268371	A1 *	11/2007	Misawa et al. ....	348/207.99			
2008/0055454	A1 *	3/2008	Yumiki .....	348/333.12			
2008/0062297	A1 *	3/2008	Sako et al. ....	348/333.02			
2008/0068484	A1 *	3/2008	Nam .....	348/333.01			
2008/0068486	A1 *	3/2008	Kusaka .....	348/333.02			
2008/0074499	A1 *	3/2008	Niimura .....	348/207.1			
2008/0117312	A1 *	5/2008	Kokubun .....	348/231.7			
2008/0170150	A1 *	7/2008	Kojima et al. ....	348/333.01			
2008/0175579	A1 *	7/2008	Kawakami .....	396/155			
2008/0225154	A1 *	9/2008	Pan et al. ....	348/333.02			
2008/0239083	A1 *	10/2008	Kusaka et al. ....	348/207.1			
2008/0279425	A1 *	11/2008	Tang .....	382/118			
2008/0297607	A1 *	12/2008	Minatogawa .....	348/207.1			
2008/0304816	A1 *	12/2008	Ebato .....	396/53			
2009/0096875	A1 *	4/2009	Yoshimaru et al. ....	348/207.1			
2009/0147123	A1 *	6/2009	Fujii .....	348/333.12			
2009/0207254	A1 *	8/2009	Tomat et al. ....	348/207.1			
2009/0251587	A1 *	10/2009	Kim .....	348/333.12			
2009/0256947	A1 *	10/2009	Ciurea et al. ....	348/333.12			
2009/0268038	A1 *	10/2009	Matsumoto .....	348/207.1			
2009/0278973	A1 *	11/2009	Sogoh et al. ....	348/333.02			
2009/0303373	A1 *	12/2009	Yamada .....	348/333.02			
2009/0303375	A1 *	12/2009	Ohyama .....	348/333.12			
2010/0002084	A1 *	1/2010	Hattori et al. ....	348/207.1			
2010/0020181	A1 *	1/2010	Kuroda .....	348/207.1			
2010/0020220	A1 *	1/2010	Sugita et al. ....	348/333.01			
2010/0026815	A1 *	2/2010	Yamamoto .....	348/207.1			
2010/0060743	A1 *	3/2010	Sato .....	348/207.1			
2010/0066889	A1 *	3/2010	Ueda et al. ....	348/333.01			
2010/0073487	A1 *	3/2010	Sogoh et al. ....	348/207.1			

\* cited by examiner

FIG. 1

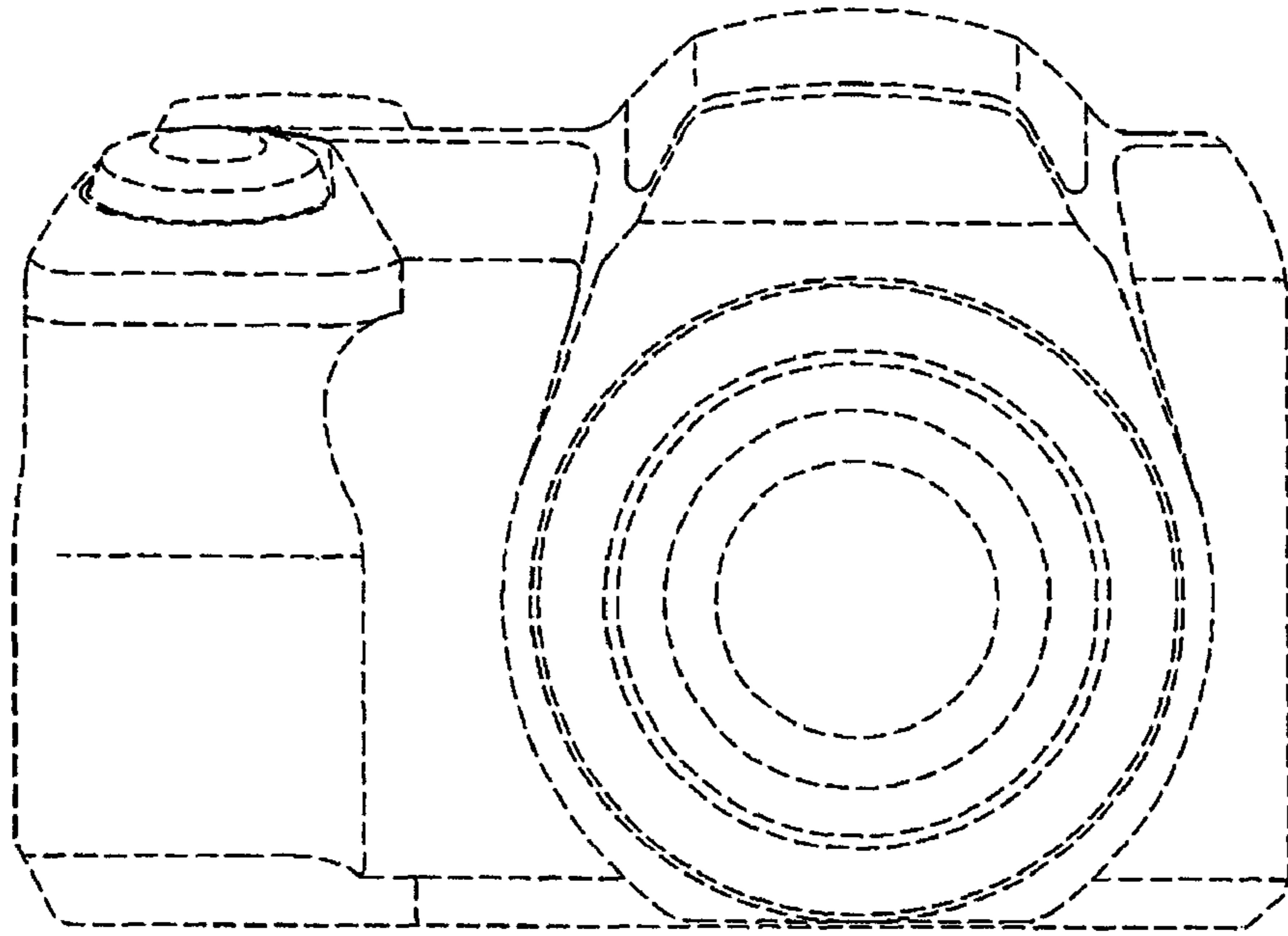


FIG. 2

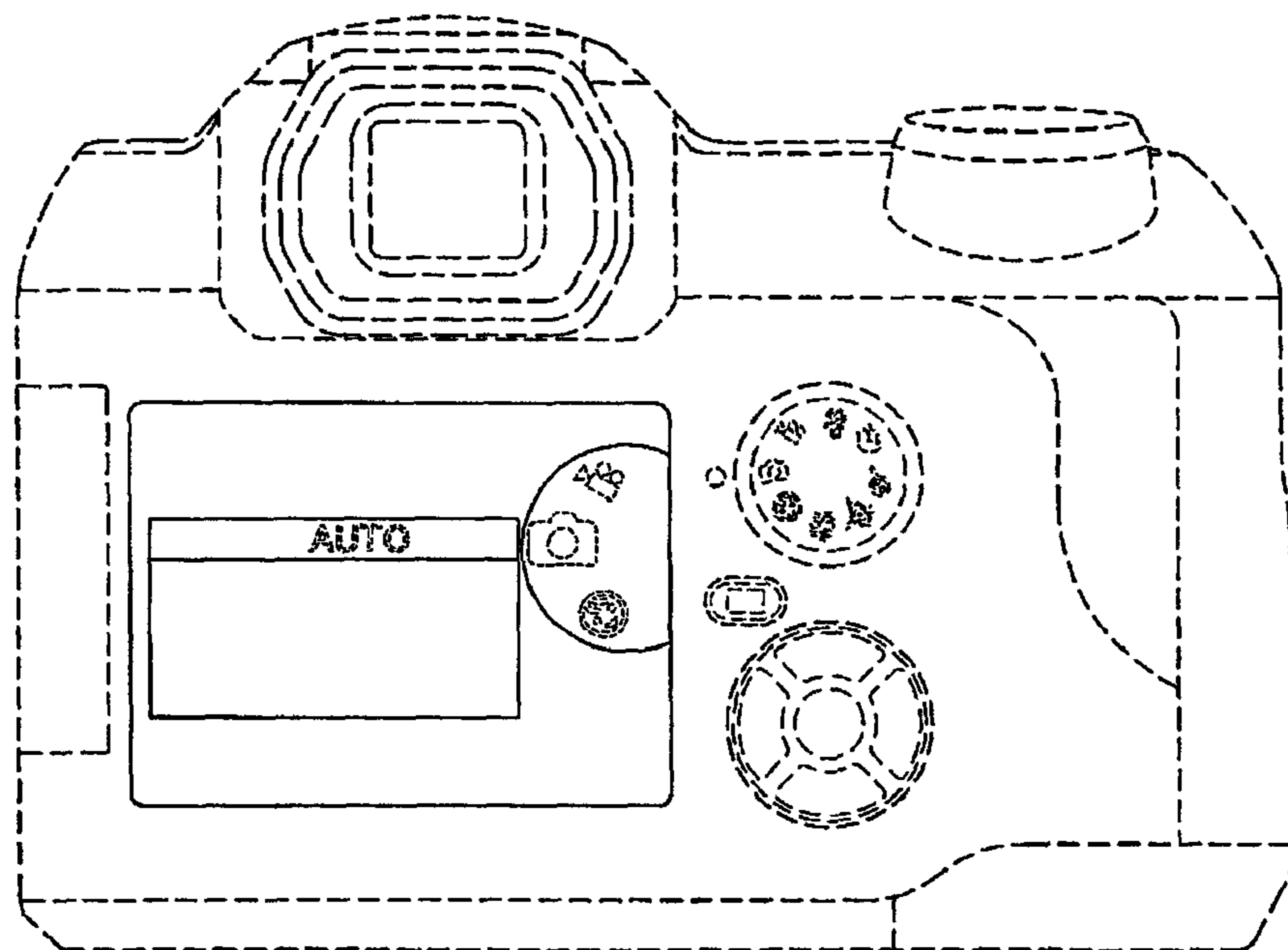


FIG. 3

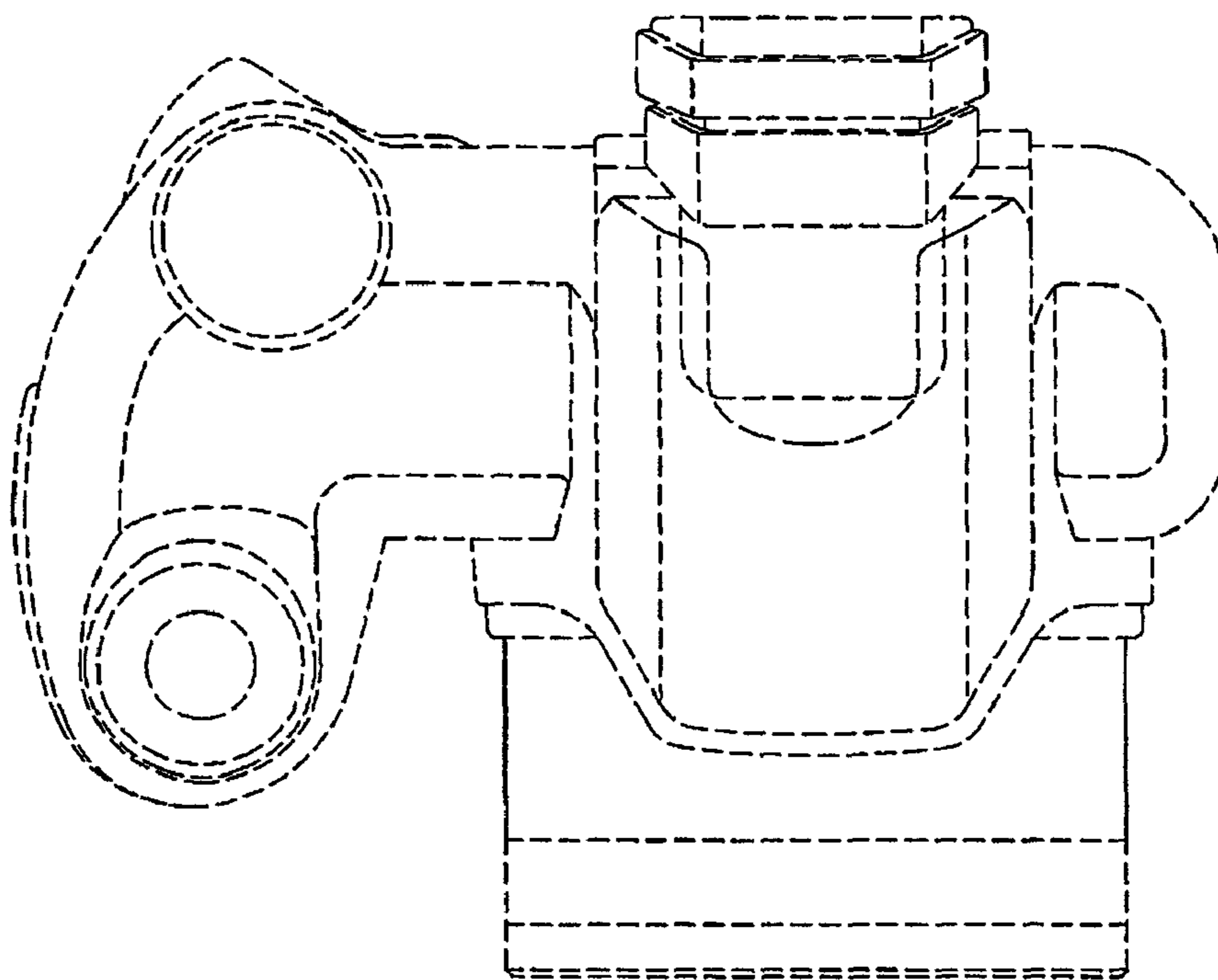


FIG. 4

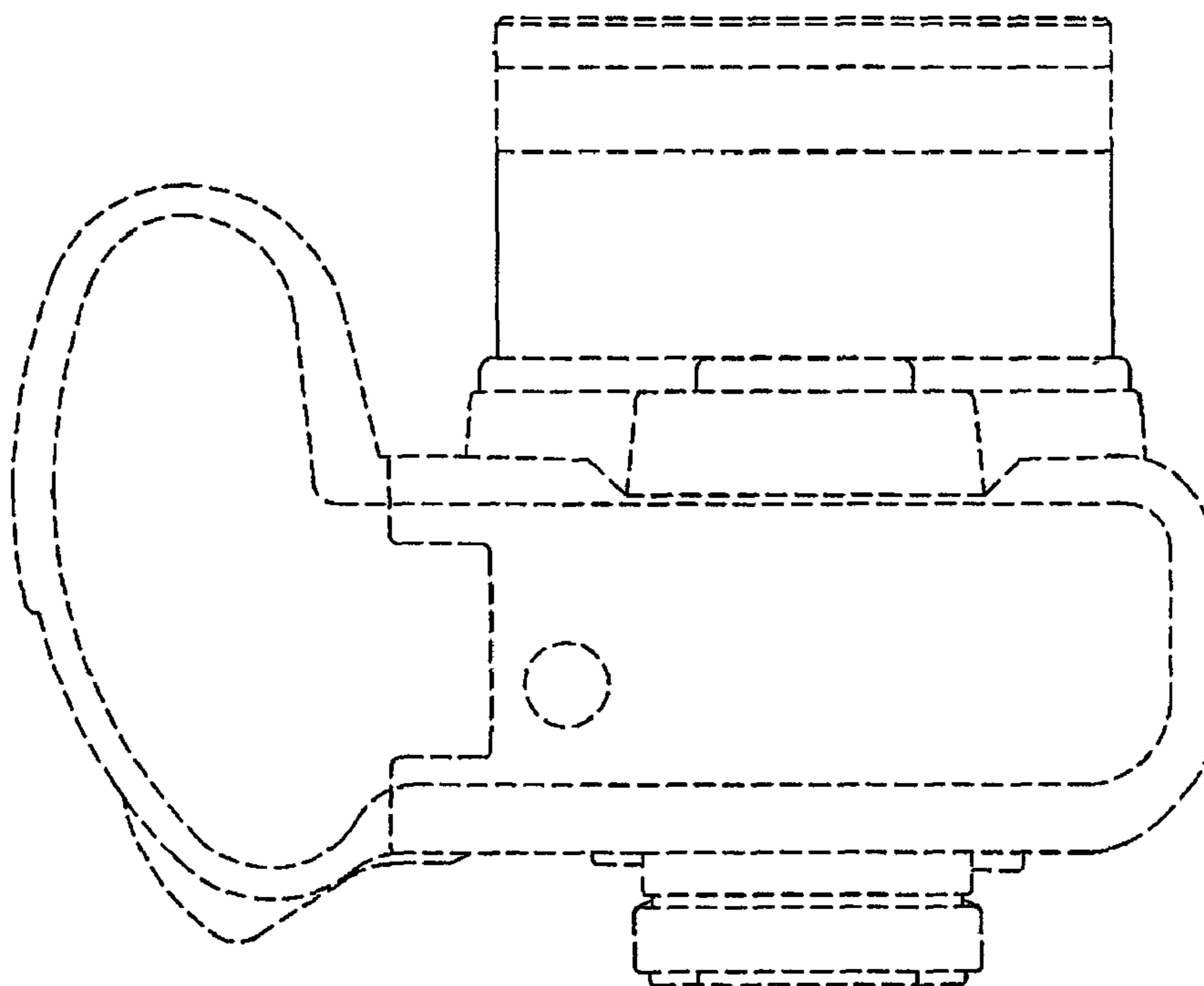


FIG. 5

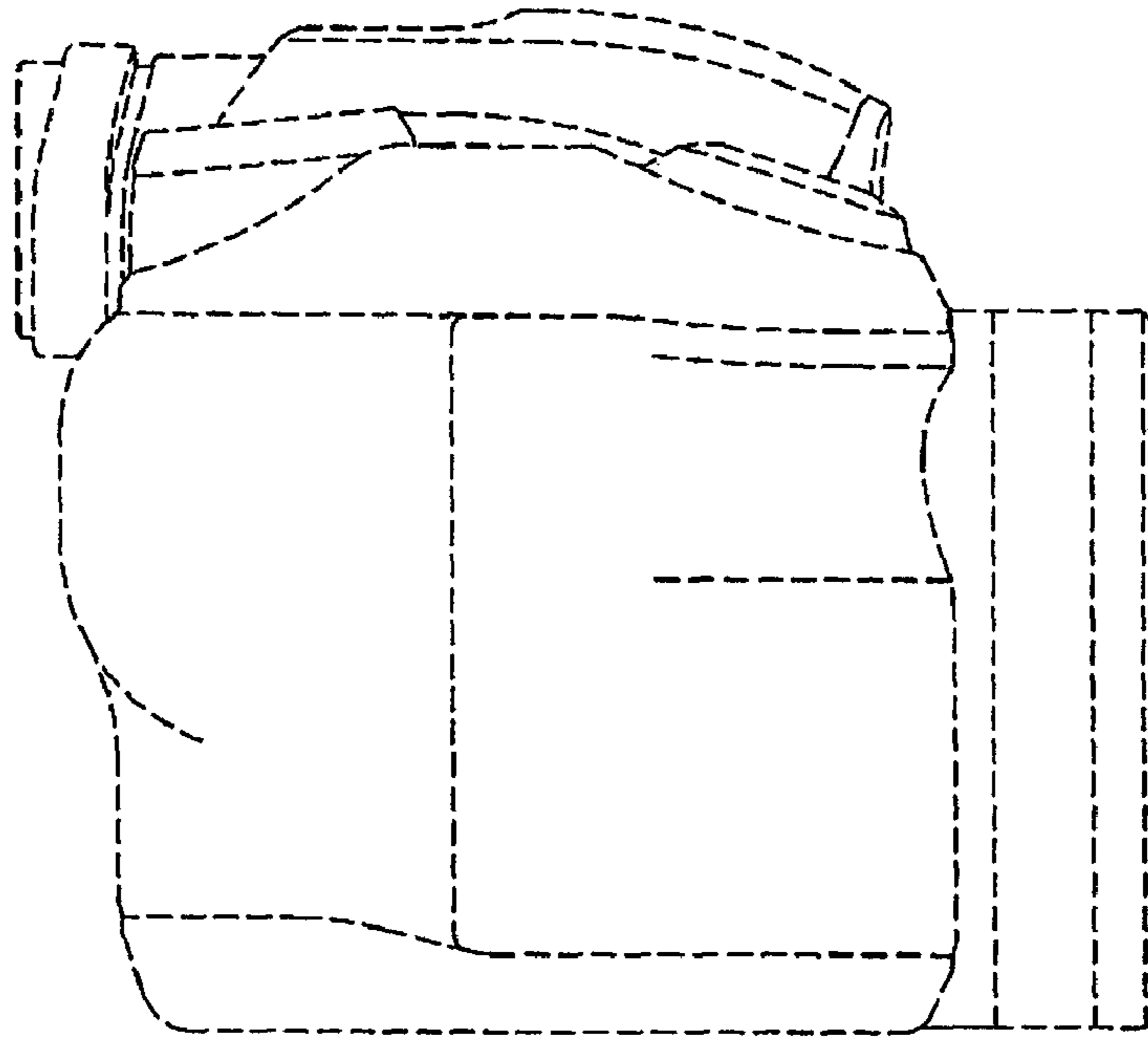


FIG. 6

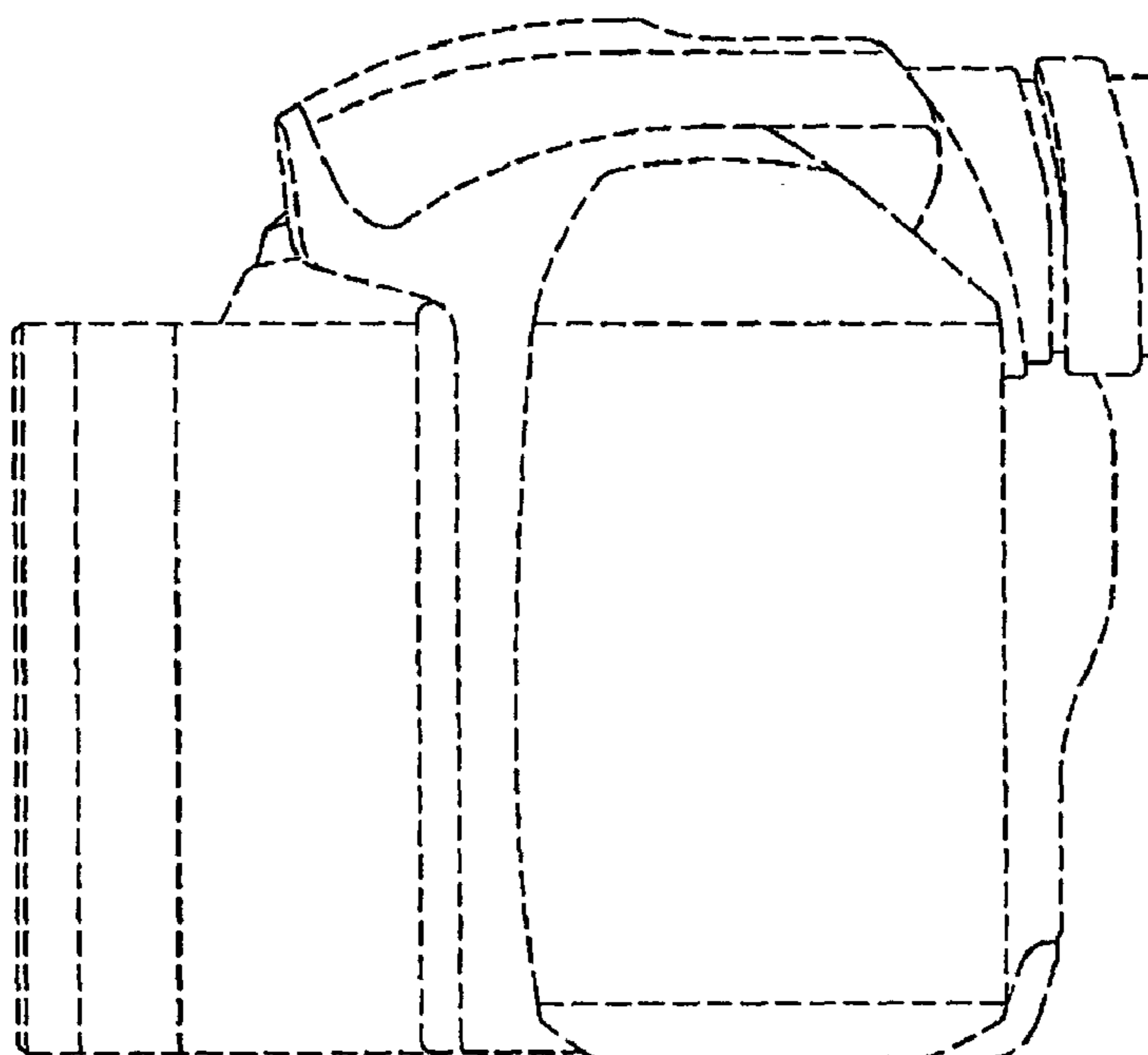


FIG. 7

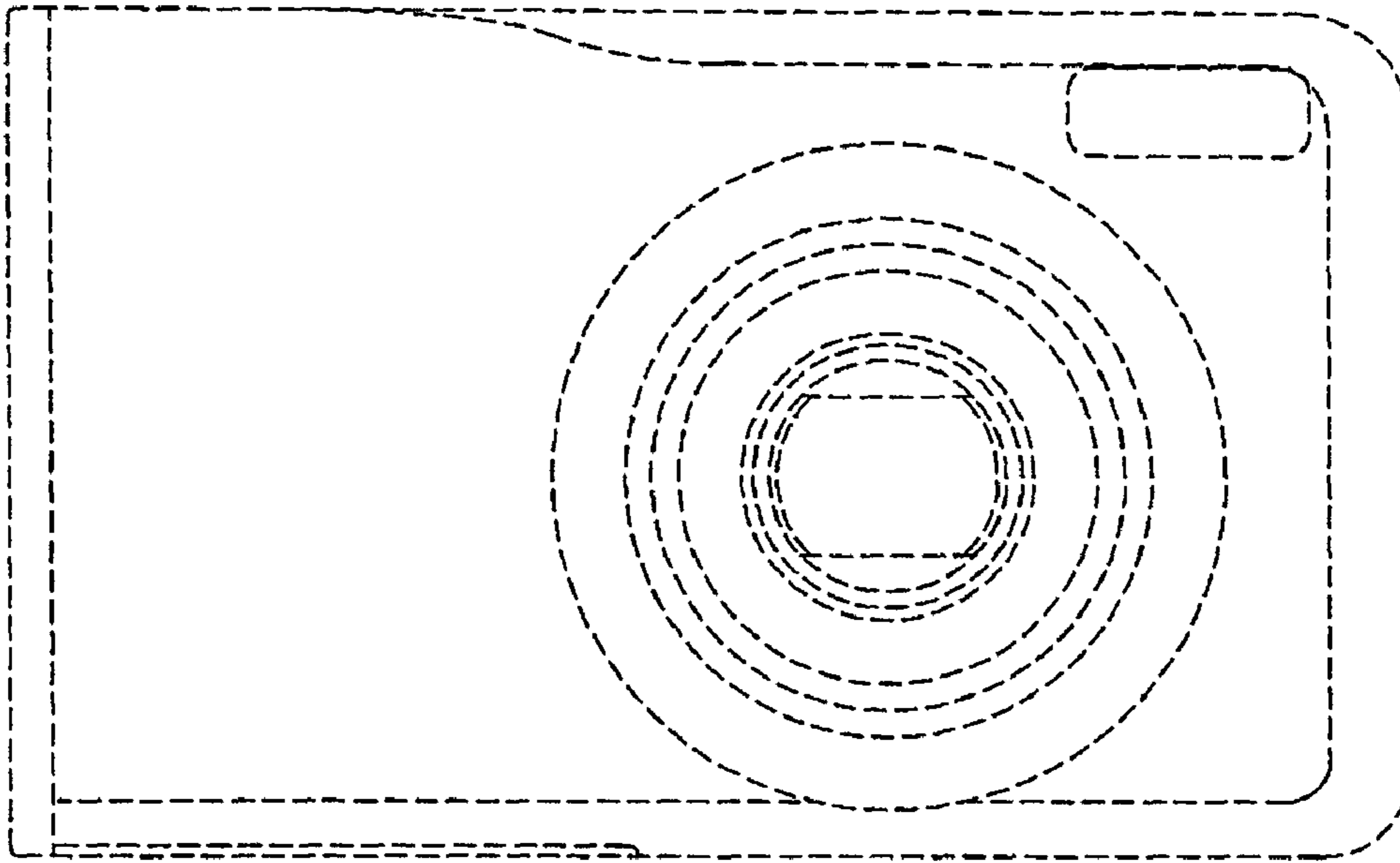


FIG. 8

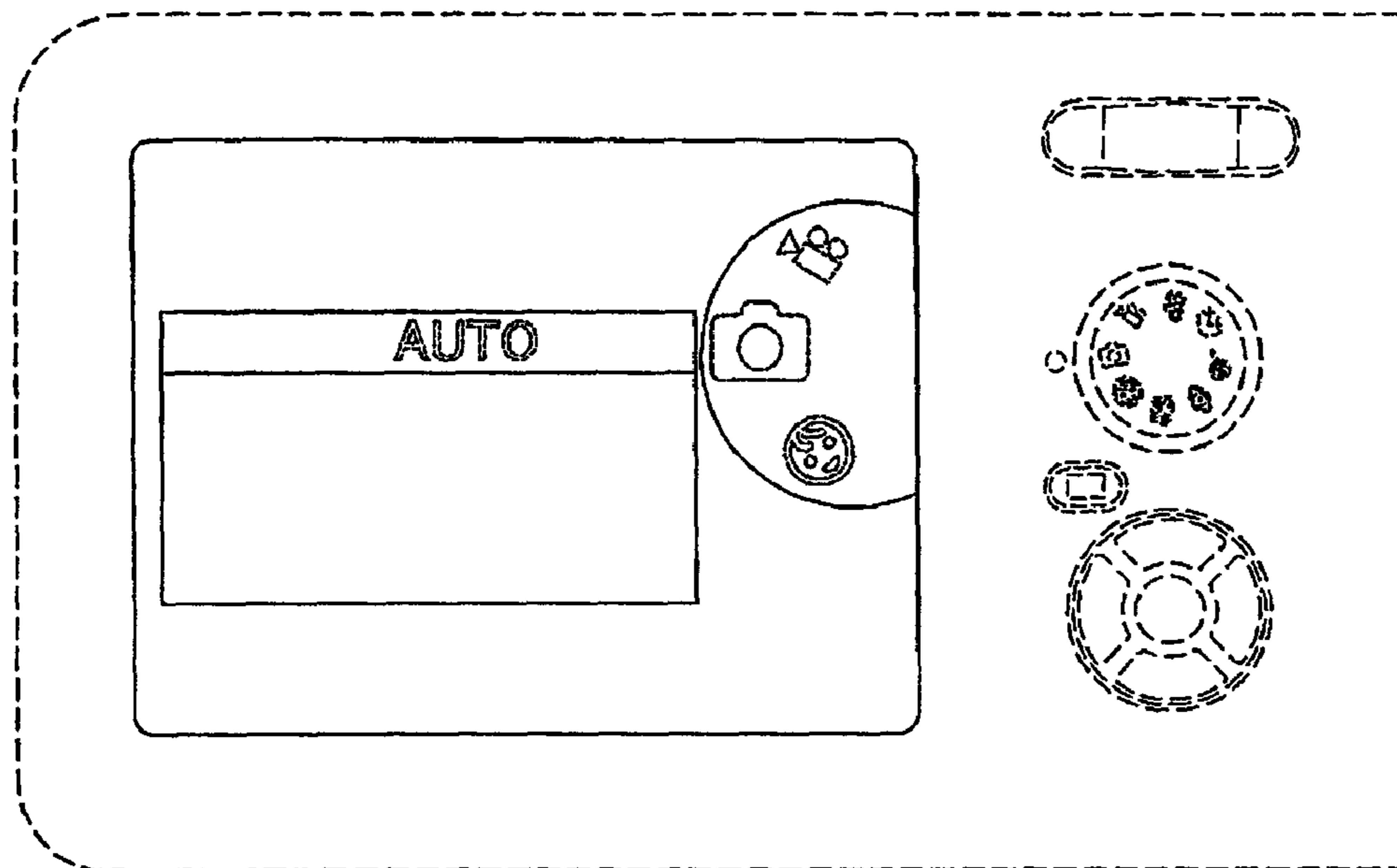


FIG. 9

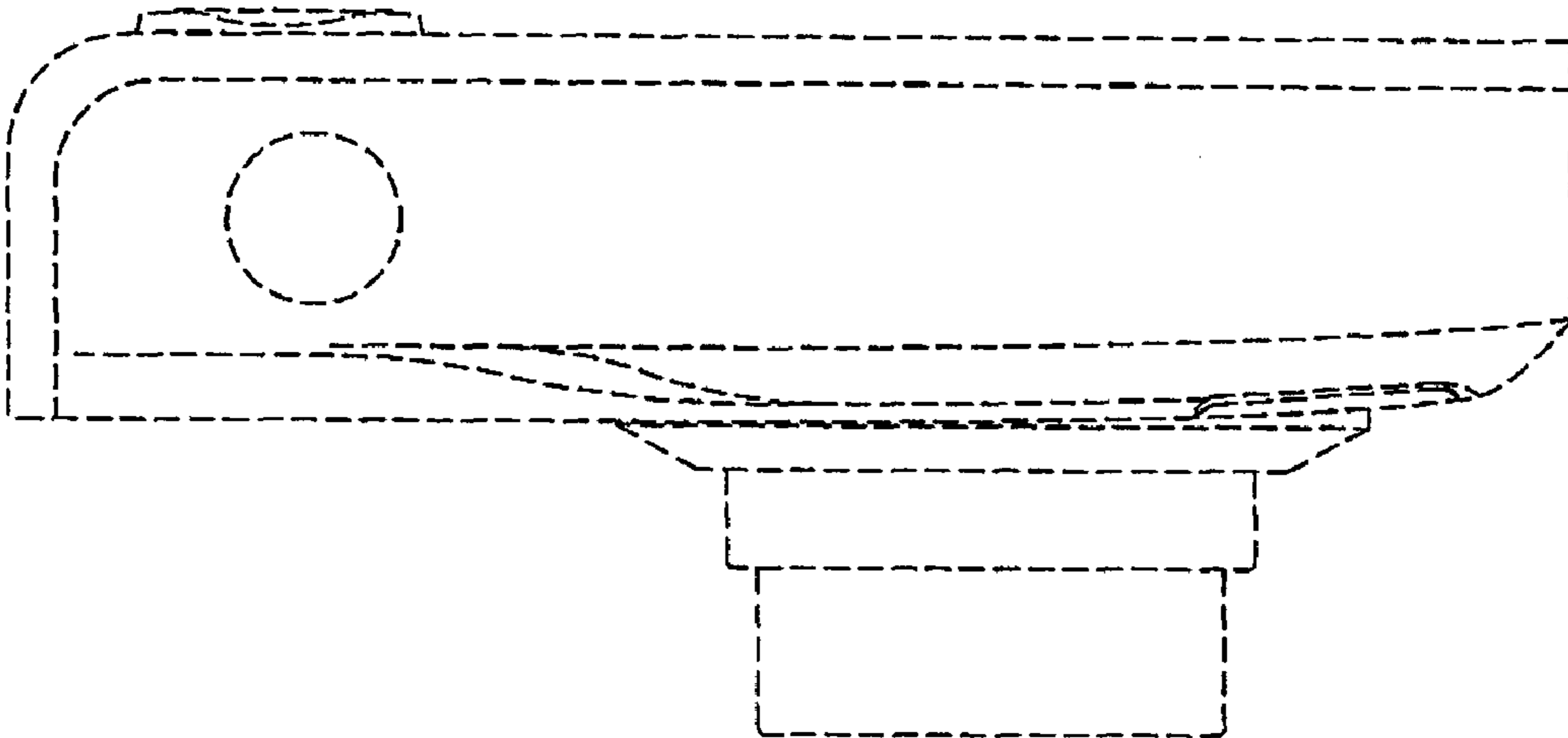


FIG. 10

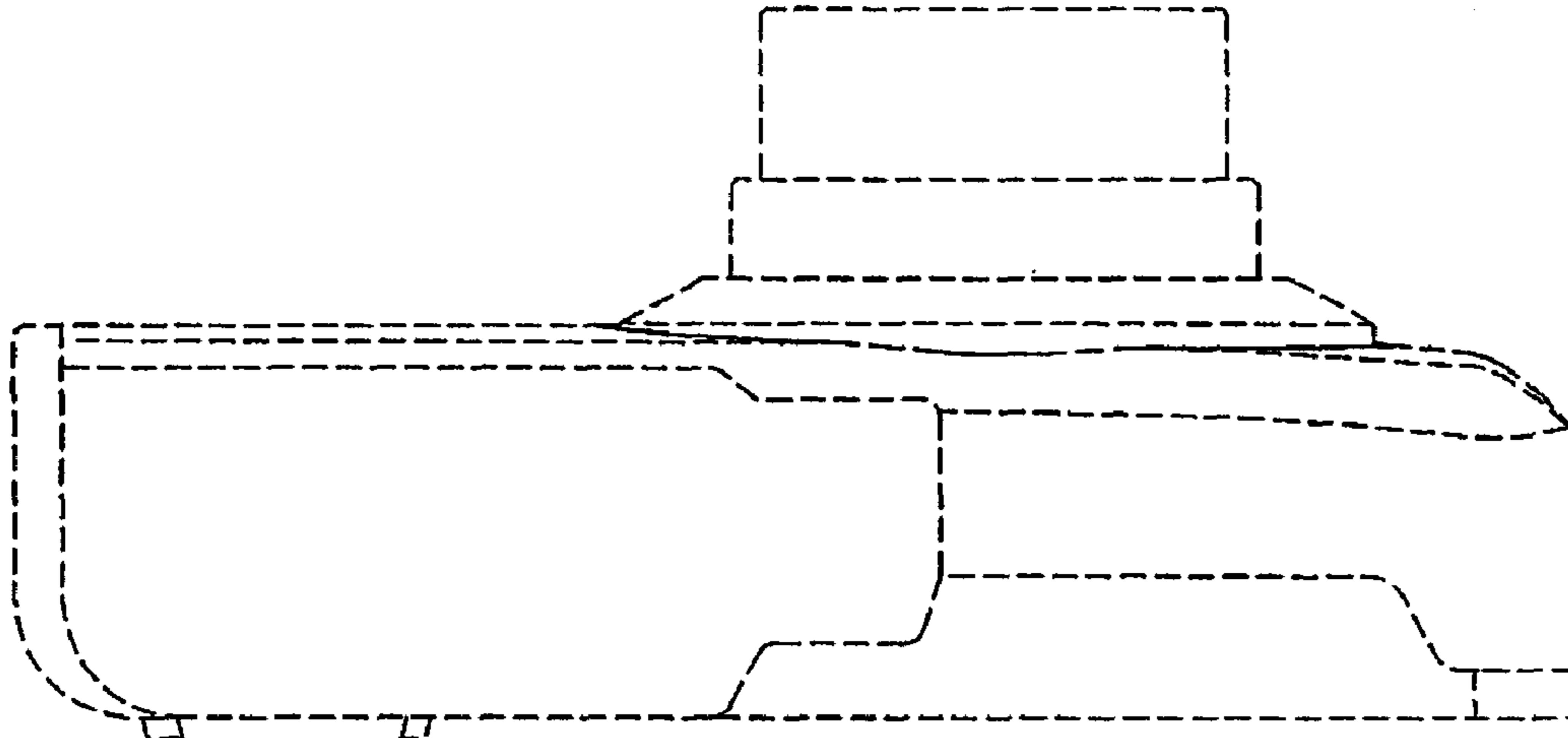


FIG. 11

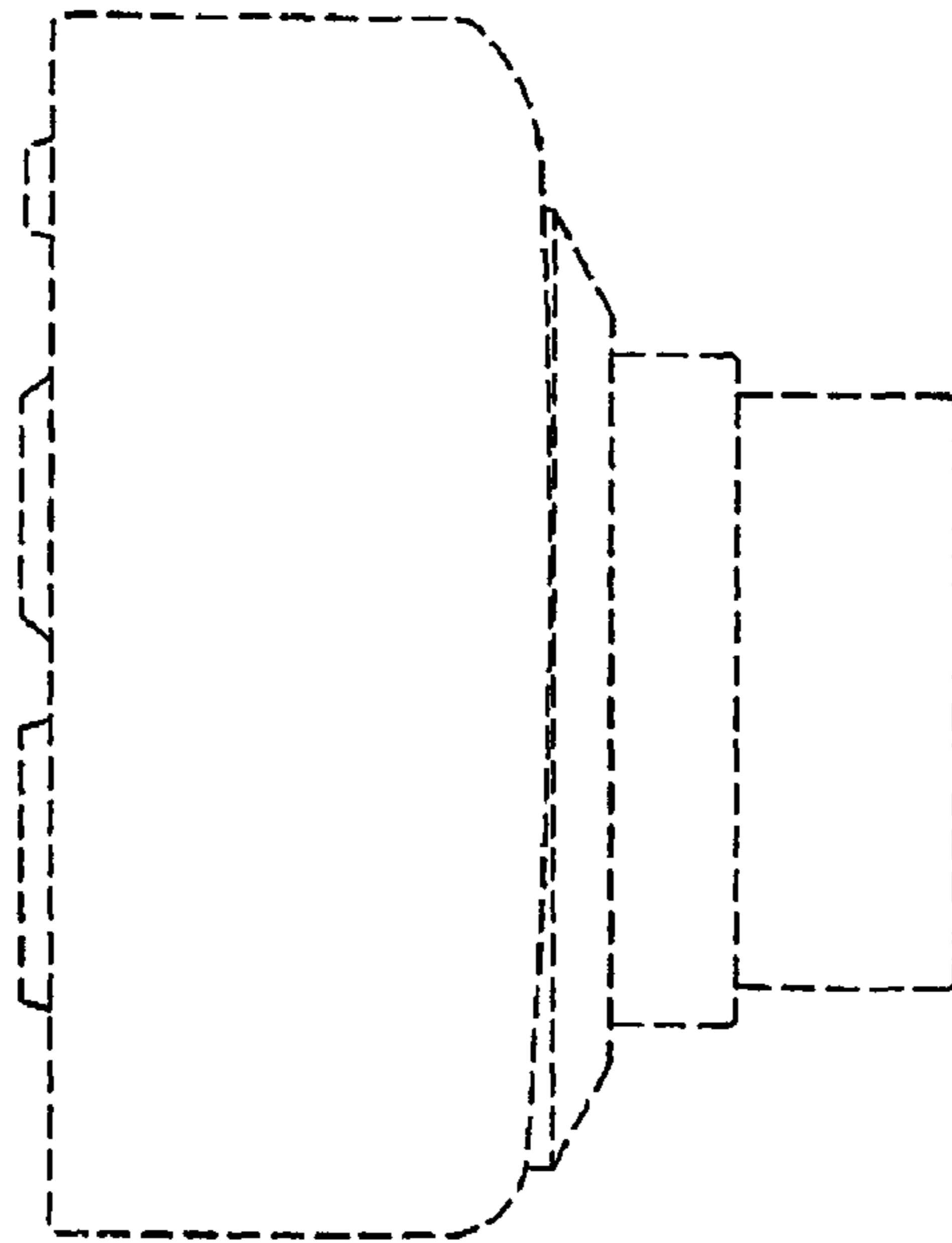


FIG. 12

