



US00D622725S

(12) **United States Design Patent**
Reed et al.

(10) **Patent No.:** **US D622,725 S**

(45) **Date of Patent:** **** *Aug. 31, 2010**

(54) **ELECTRONIC MOUSE**

(75) Inventors: **Anthony Reed**, Seattle, WA (US);
Monique Chatterjee, Seattle, WA (US)

(73) Assignee: **Microsoft Corporation**, Redmond, WA (US)

(**) Term: **14 Years**

(21) Appl. No.: **29/327,202**

(22) Filed: **Oct. 31, 2008**

(51) **LOC (9) Cl.** **14-02**

(52) **U.S. Cl.** **D14/408**

(58) **Field of Classification Search** D14/402-410,
D14/417; 345/163-167; 273/148 B; 358/471,
358/473

See application file for complete search history.

(56) **References Cited**

U.S. PATENT DOCUMENTS

D340,923 S *	11/1993	Tso	D14/407
D381,014 S *	7/1997	Kraus et al.	D14/408
D471,556 S *	3/2003	O’Keeffe et al.	D14/408
D473,232 S *	4/2003	Fisher	D14/402
D484,882 S *	1/2004	Wu	D14/407
D485,272 S *	1/2004	Fisher	D14/402
D490,432 S *	5/2004	Huang	D14/408
D515,579 S *	2/2006	Chang	D14/409
D518,055 S *	3/2006	Hu et al.	D14/402
D521,998 S *	5/2006	Hirota	D14/402
D562,325 S *	2/2008	Kuchler	D14/409
D597,545 S *	8/2009	Kujawski et al.	D14/409
D598,022 S *	8/2009	Kujawski et al.	D14/409
D599,353 S *	9/2009	Kujawski et al.	D14/409
D607,454 S *	1/2010	Reed et al.	D14/408
D607,455 S *	1/2010	Reed et al.	D14/408
D607,456 S *	1/2010	Reed et al.	D14/408
2006/0017695 A1 *	1/2006	Wu	345/163

2006/0038779 A1 *	2/2006	Li	345/163
2006/0038782 A1 *	2/2006	Lo	345/163
2006/0109247 A1 *	5/2006	Chang	345/163
2006/0202957 A1 *	9/2006	Chang	345/163
2009/0146954 A1 *	6/2009	Regen et al.	345/163

OTHER PUBLICATIONS

Color photos of Obsidian mouse made by Saitek, pictures found on multiple Internet sites, 1 color sheet, exact release date unknown but prior to Oct. 31, 2008.

* cited by examiner

Primary Examiner—Cathron C Brooks

Assistant Examiner—Karen E Kearney

(74) *Attorney, Agent, or Firm*—Banner & Witcoff, Ltd.

(57) **CLAIM**

The ornamental design for an electronic mouse, as shown and described.

DESCRIPTION

FIG. 1 is a front perspective view of an electronic mouse showing our new design;

FIG. 2 is a front view thereof;

FIG. 3 is a rear view thereof;

FIG. 4 is a left side view thereof;

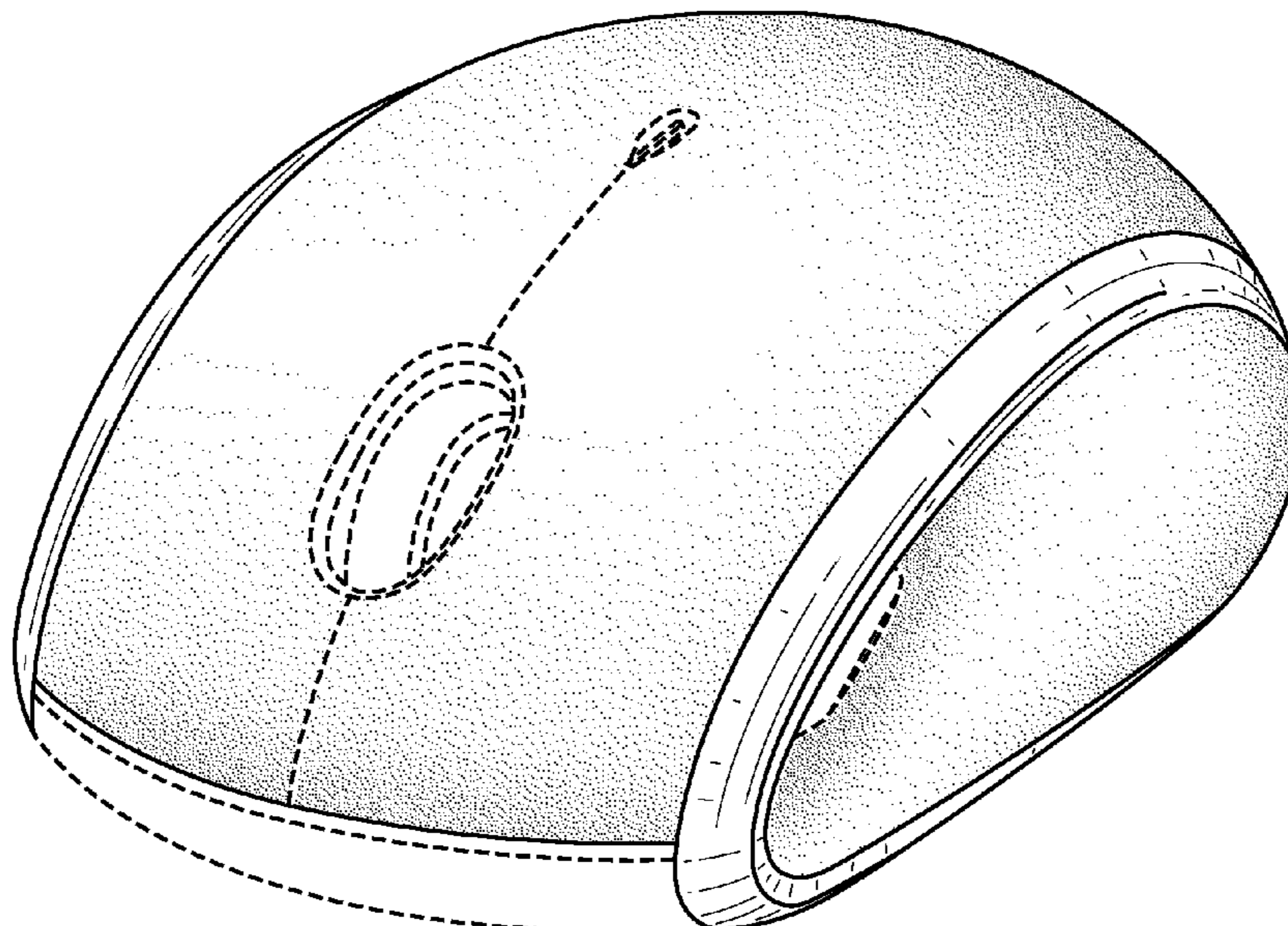
FIG. 5 is a right side view thereof;

FIG. 6 is a top view thereof; and,

FIG. 7 is a bottom view thereof.

The broken line showing of various regions in the figures, including the unshaded areas therein, is for illustrative purposes and forms no part of the claimed design. The difference in shading in the figures indicates a contrast of appearance and does not depict any particular color, texture or material.

1 Claim, 5 Drawing Sheets



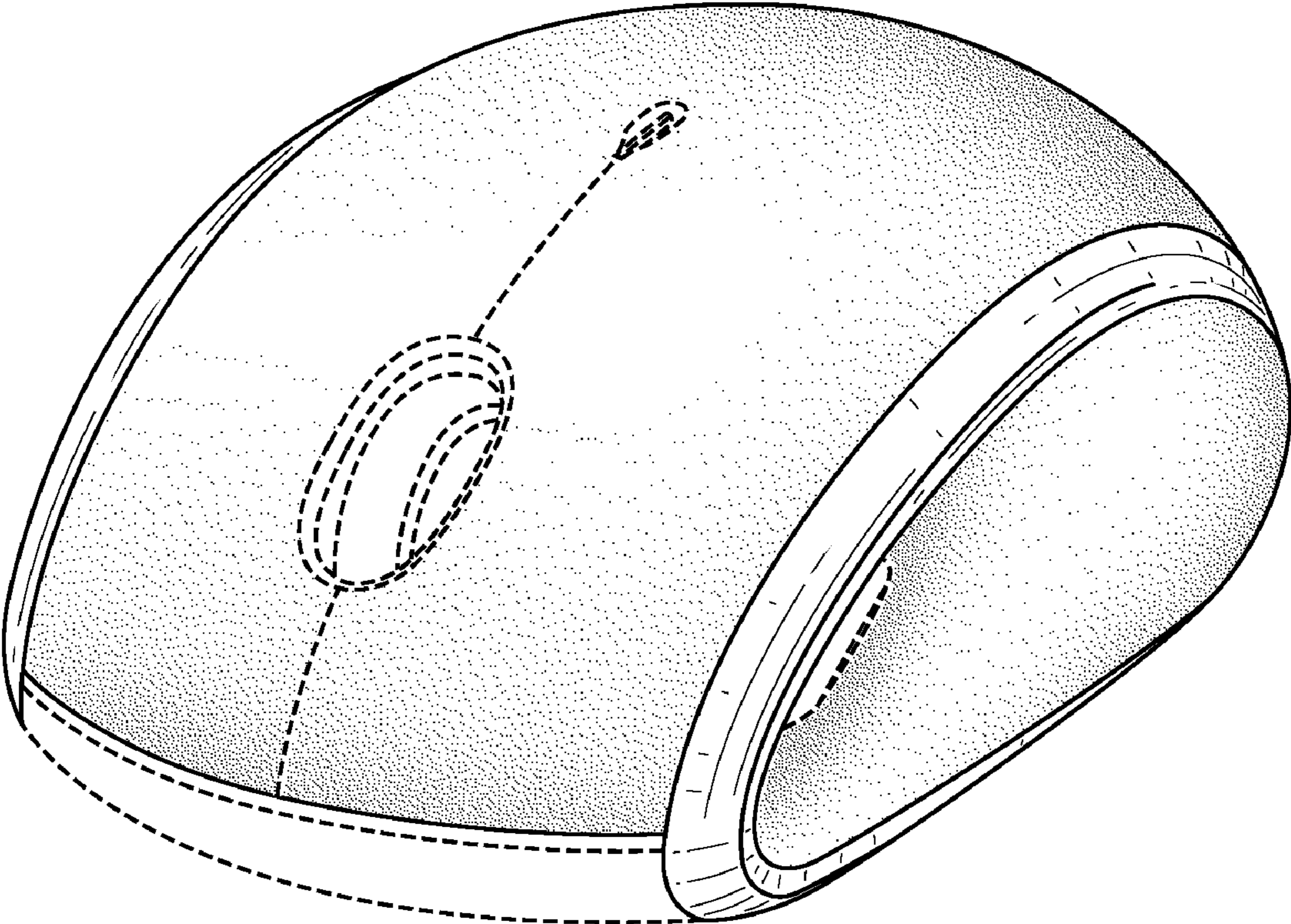


FIG. 1

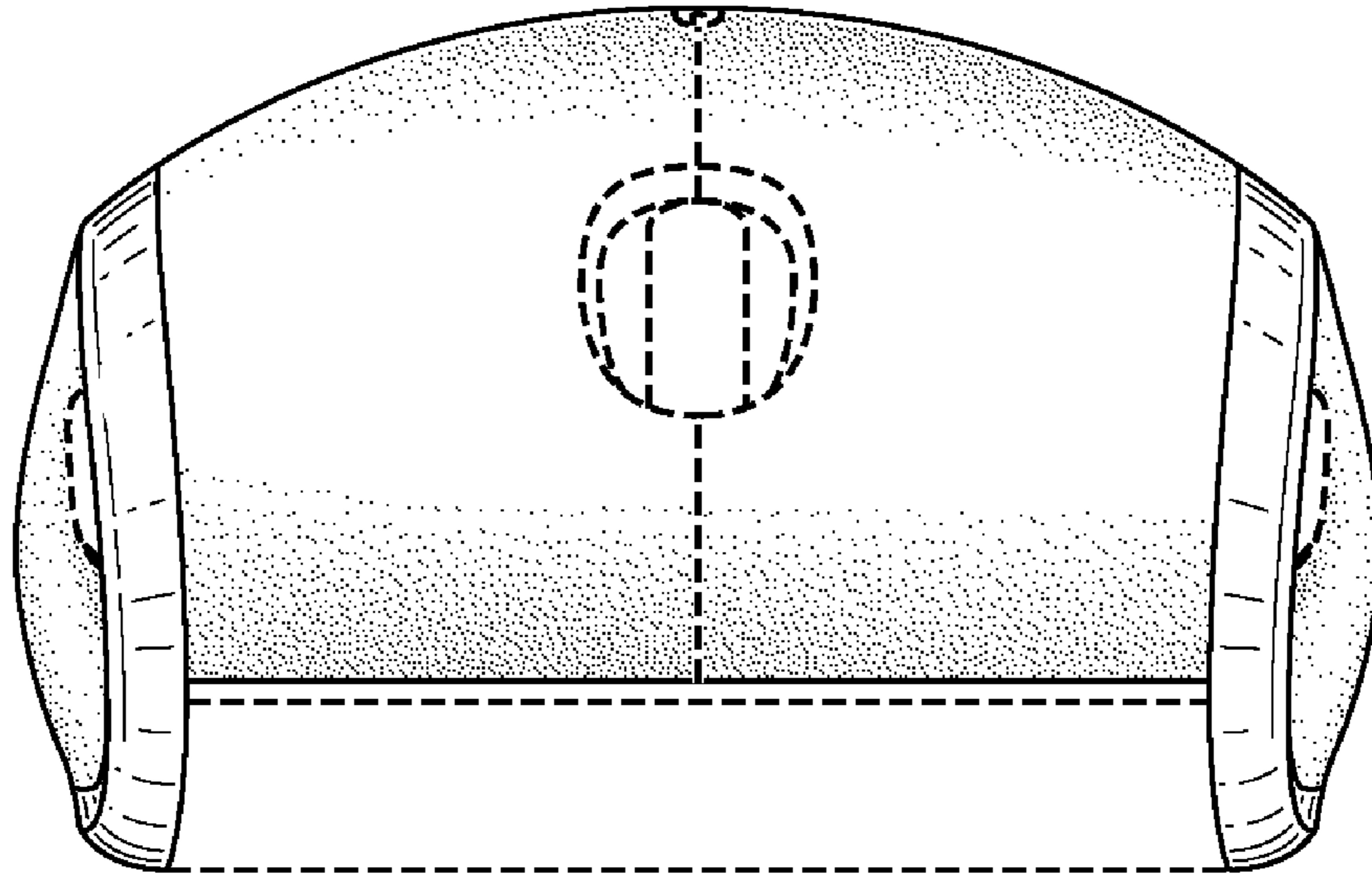


FIG. 2

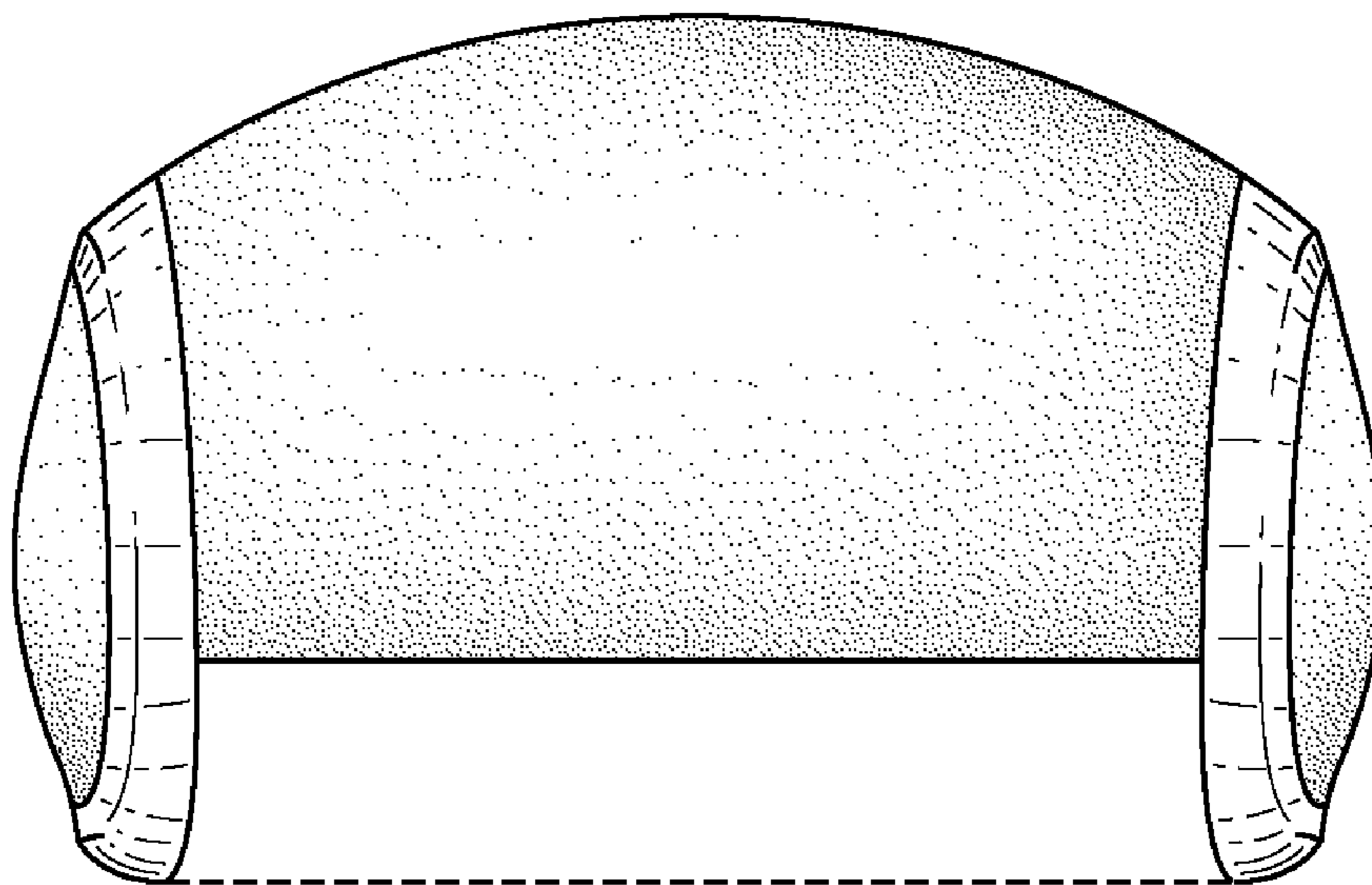


FIG. 3

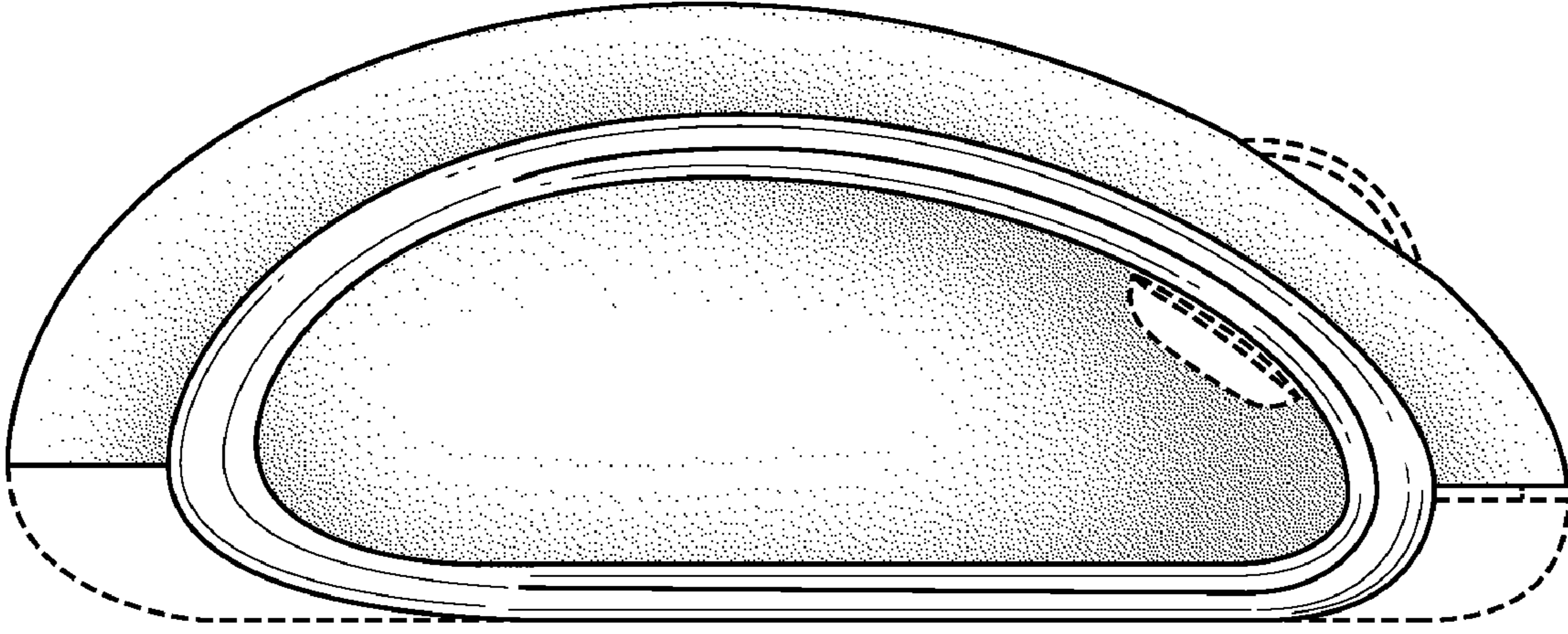


FIG. 4

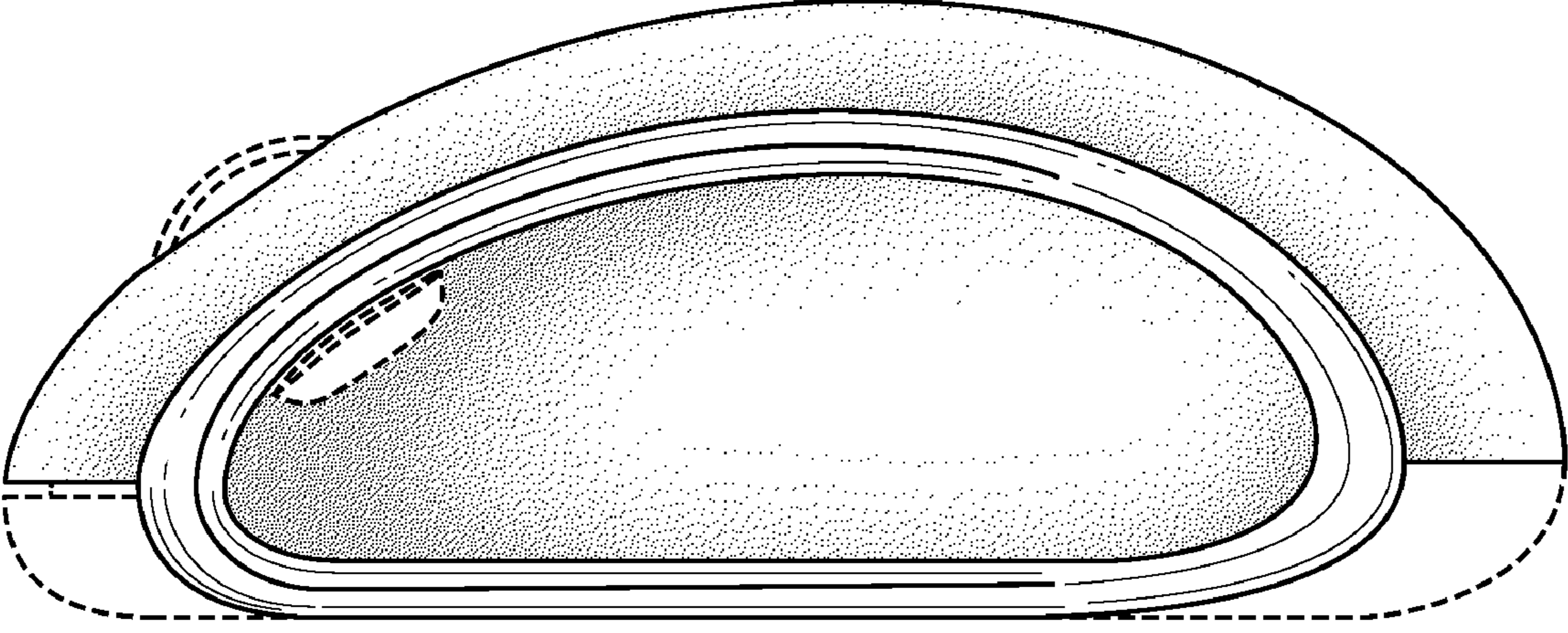


FIG. 5

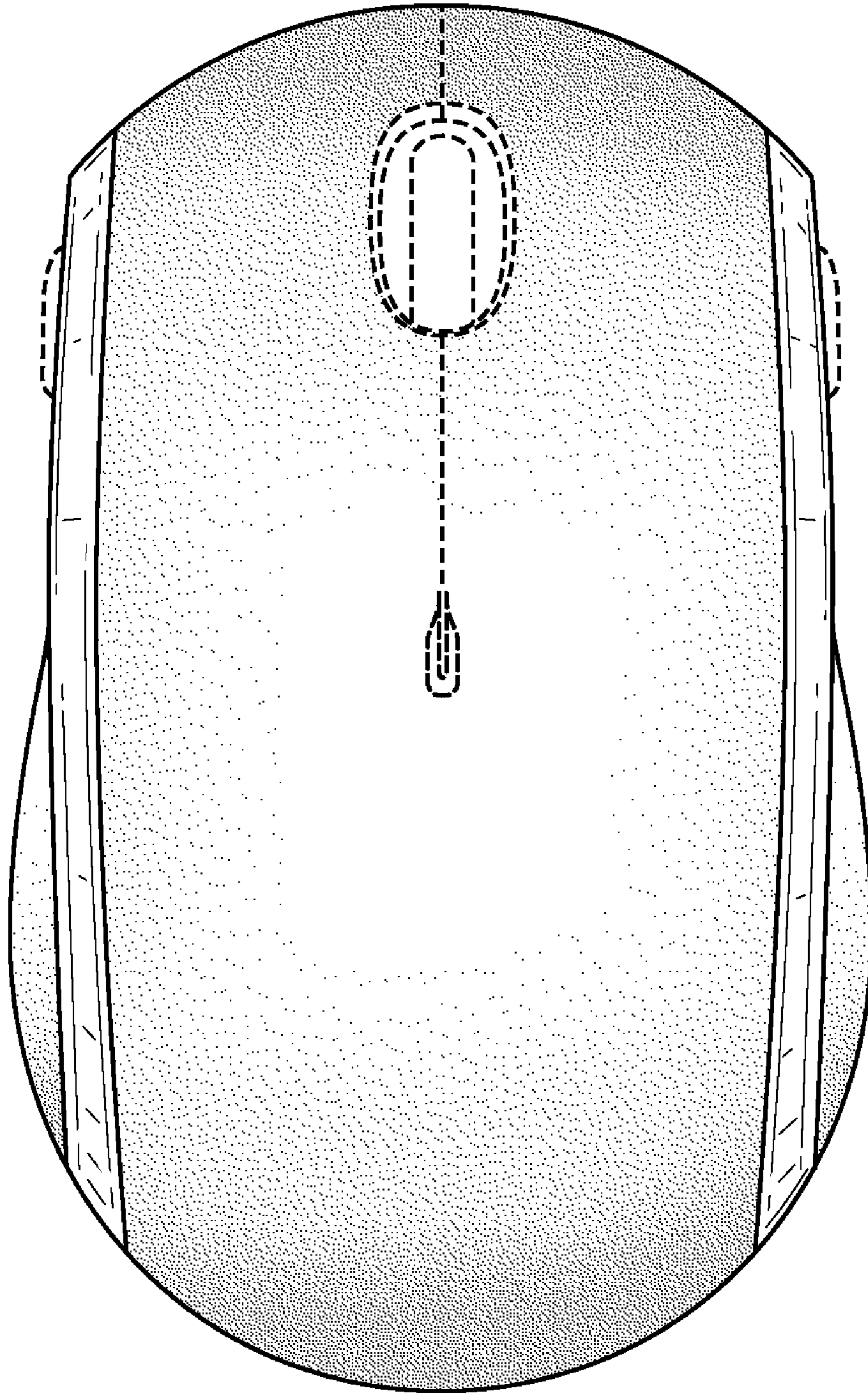


FIG. 6

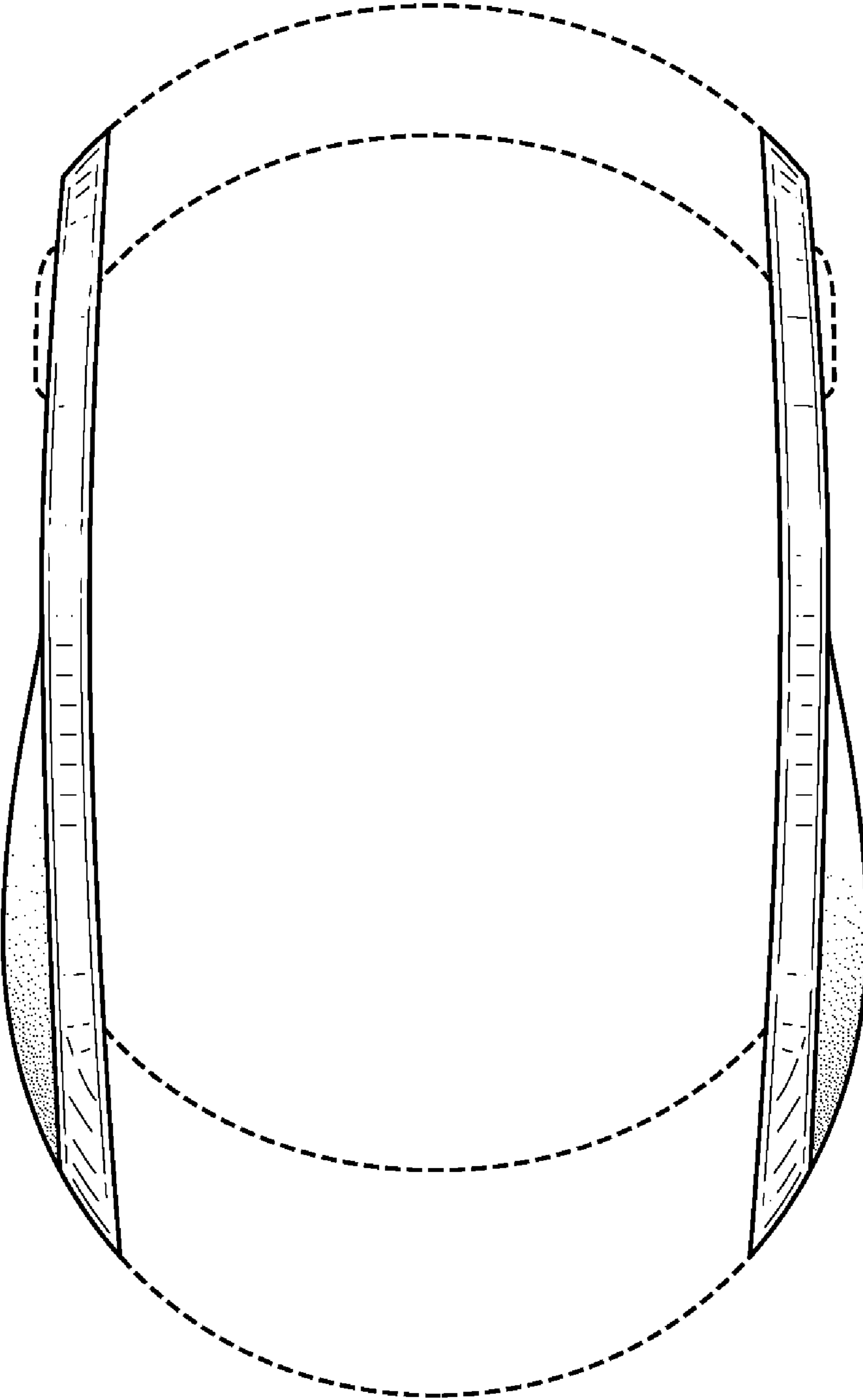


FIG. 7