

US00D622710S

(12) **United States Design Patent**
Goransson

(10) **Patent No.:** **US D622,710 S**

(45) **Date of Patent:** **** Aug. 31, 2010**

(54) **COMMUNICATIONS UNIT**

(75) **Inventor:** **Magnus Goransson**, Marina Del Rey,
CA (US)

(73) **Assignee:** **GN Netcom A/S** (DK)

(**) **Term:** **14 Years**

(21) **Appl. No.:** **29/305,684**

(22) **Filed:** **Mar. 26, 2008**

(30) **Foreign Application Priority Data**

Oct. 17, 2007 (EM) 000810254-0001

(51) **LOC (9) Cl.** **14-01**

(52) **U.S. Cl.** **D14/240**; D14/218

(58) **Field of Classification Search** D14/137,
D14/140-140.9, 155, 167, 188, 204, 205,
D14/207, 210, 215, 218, 230-237, 240, 242,
D14/302, 314, 132-134, 348-358, 363, 383,
D14/433, 435.1, 496; D13/149, 184, 137.1-139.8,
D13/110, 144; 711/100, 115; 361/685, 725,
361/752; 369/272.1, 273, 75.11; 360/133,
360/79.01, 97.03; 379/220.01, 221.09, 220.14,
379/25, 93.09, 93.19, 156, 900, 338-339,
379/441

See application file for complete search history.

(56) **References Cited**

U.S. PATENT DOCUMENTS

D441,185 S * 5/2001 Shimizu et al. D3/207

D485,828 S * 1/2004 Olson et al. D14/218

D499,396 S * 12/2004 Lin D14/218

D527,724 S * 9/2006 Lin D14/218

D551,218 S * 9/2007 Cassina et al. D14/230

D605,168 S * 12/2009 Jaakkola et al. D14/205

* cited by examiner

Primary Examiner—Ian Simmons

Assistant Examiner—Charles D Hanson

(74) *Attorney, Agent, or Firm*—Altera Law Group, LLC

(57) **CLAIM**

The ornamental design for a communications unit, as shown and described.

DESCRIPTION

FIG. 1 is a perspective view of the a communications unit.

FIG. 2 is a front view thereof.

FIG. 3 is a side view thereof.

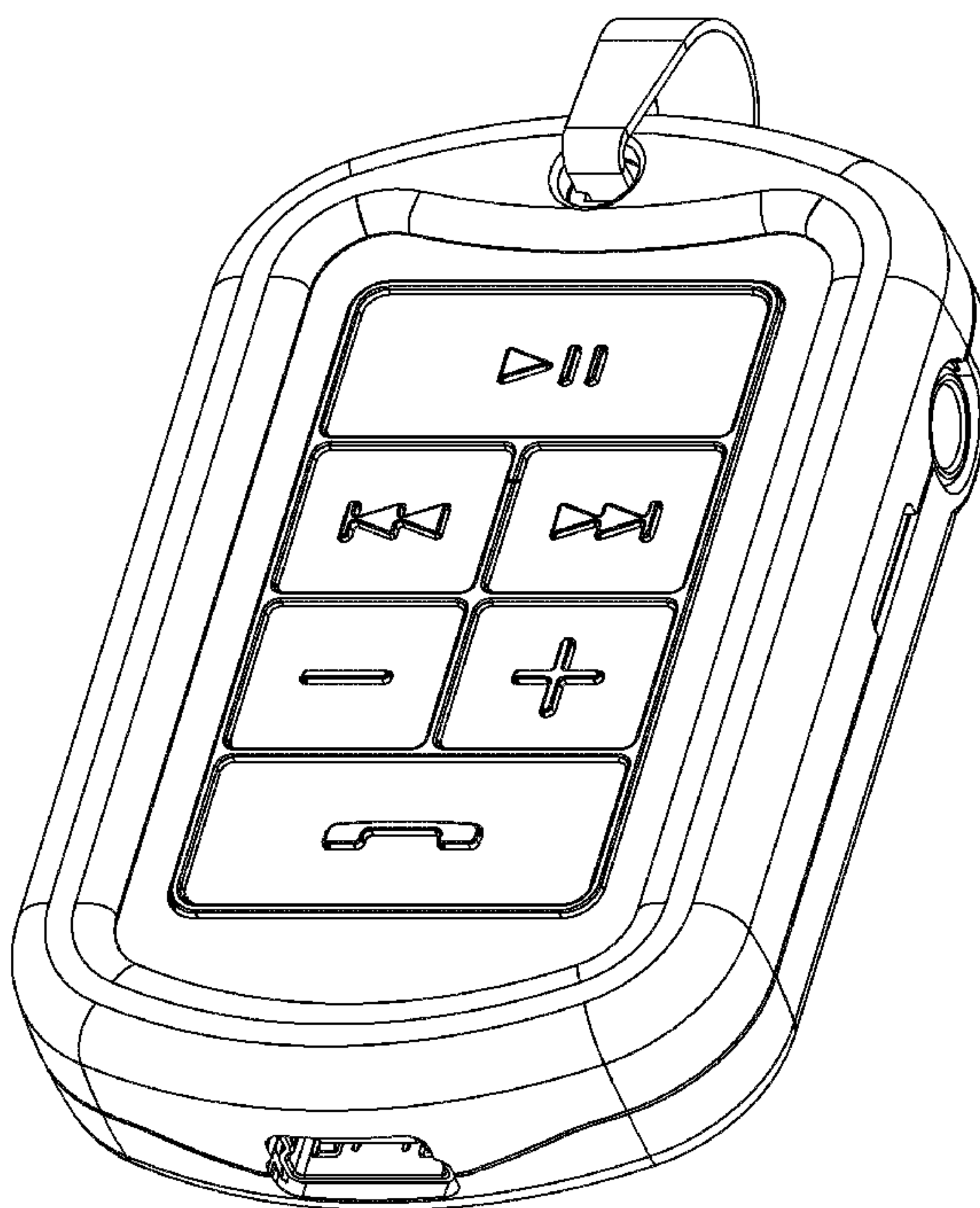
FIG. 4 is a top view thereof.

FIG. 5 is a bottom view thereof.

FIG. 6 is a view from the back thereof; and,

FIG. 7 is a side view thereof.

1 Claim, 7 Drawing Sheets



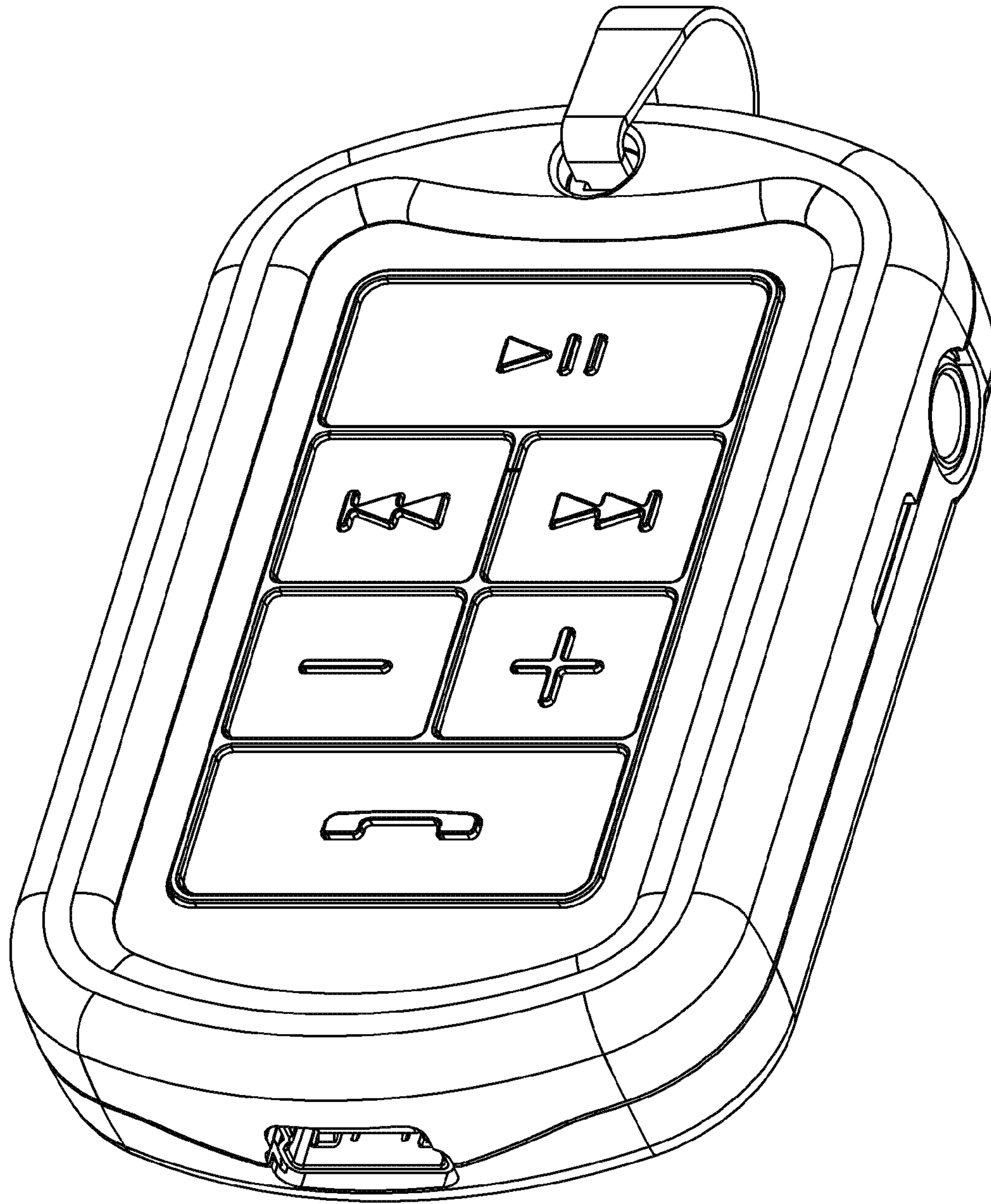


Fig. 1

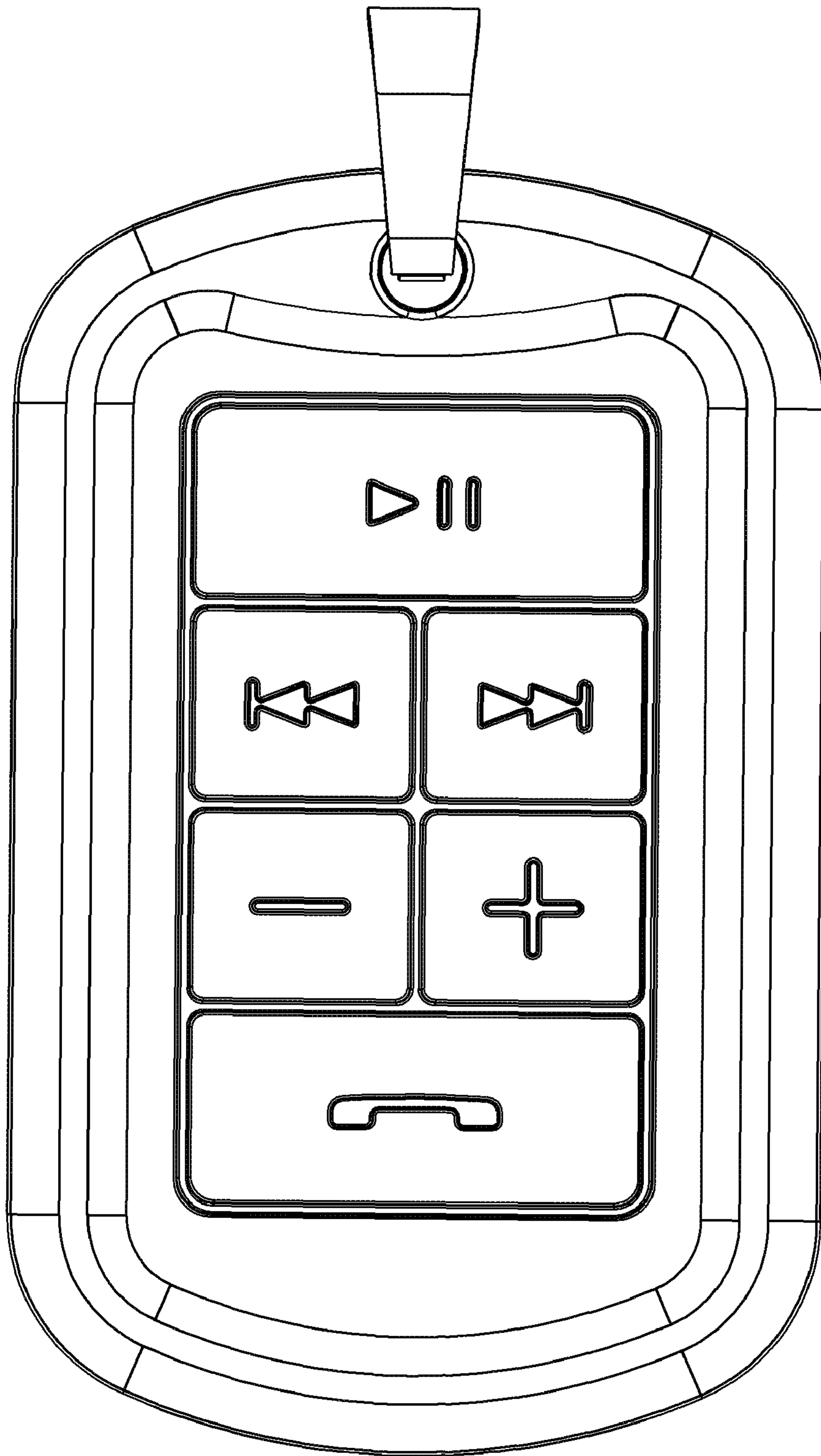


Fig. 2

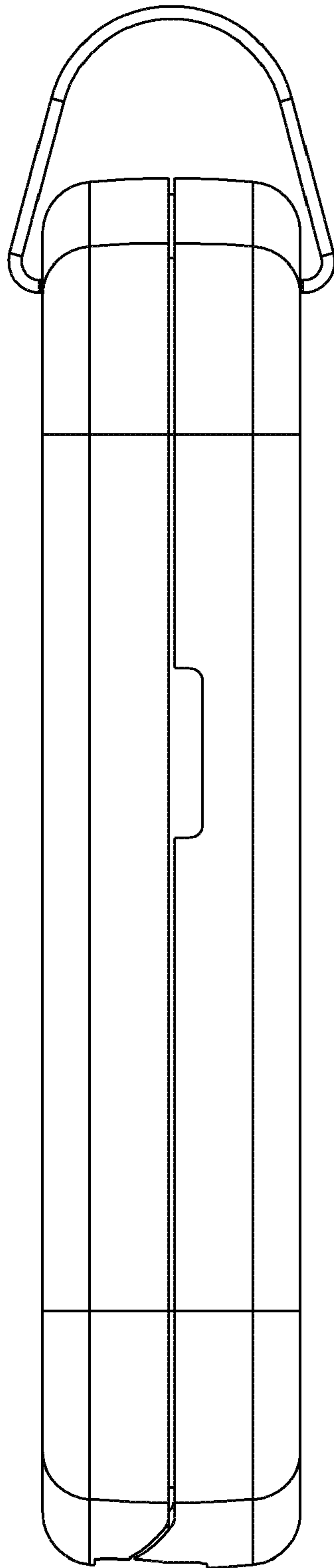


Fig. 3

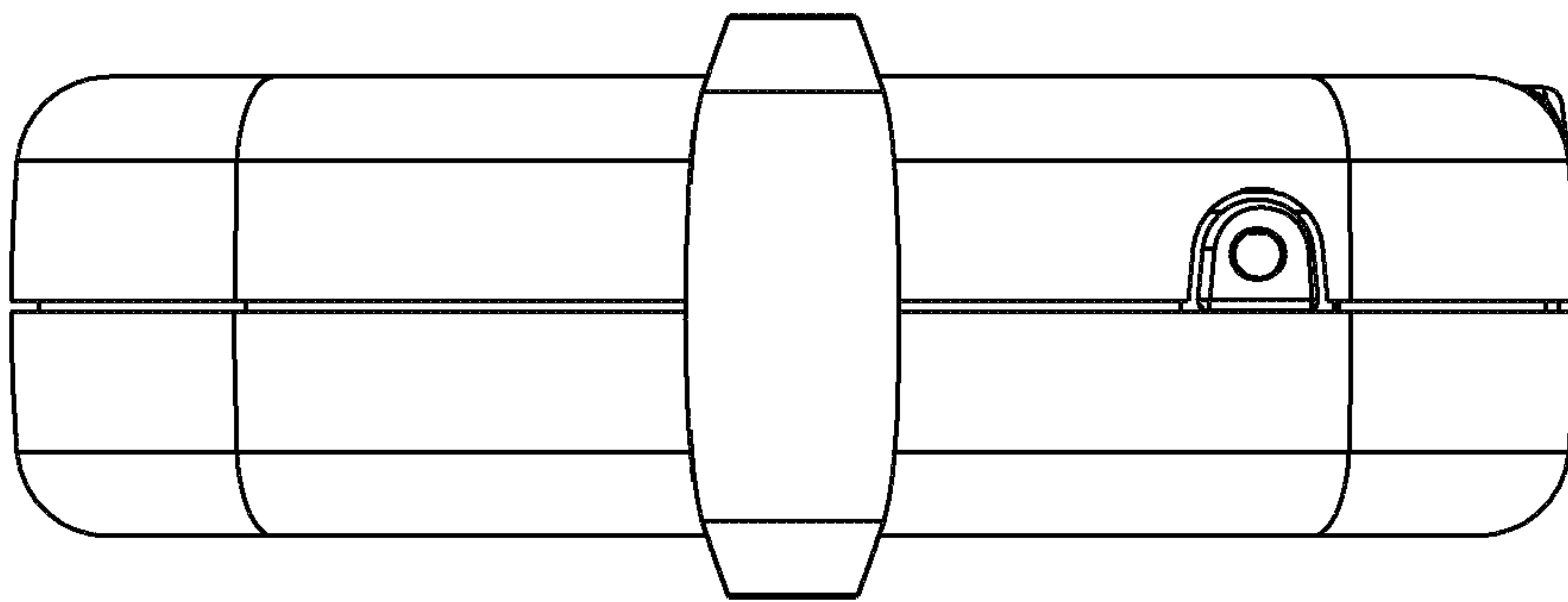


Fig. 4

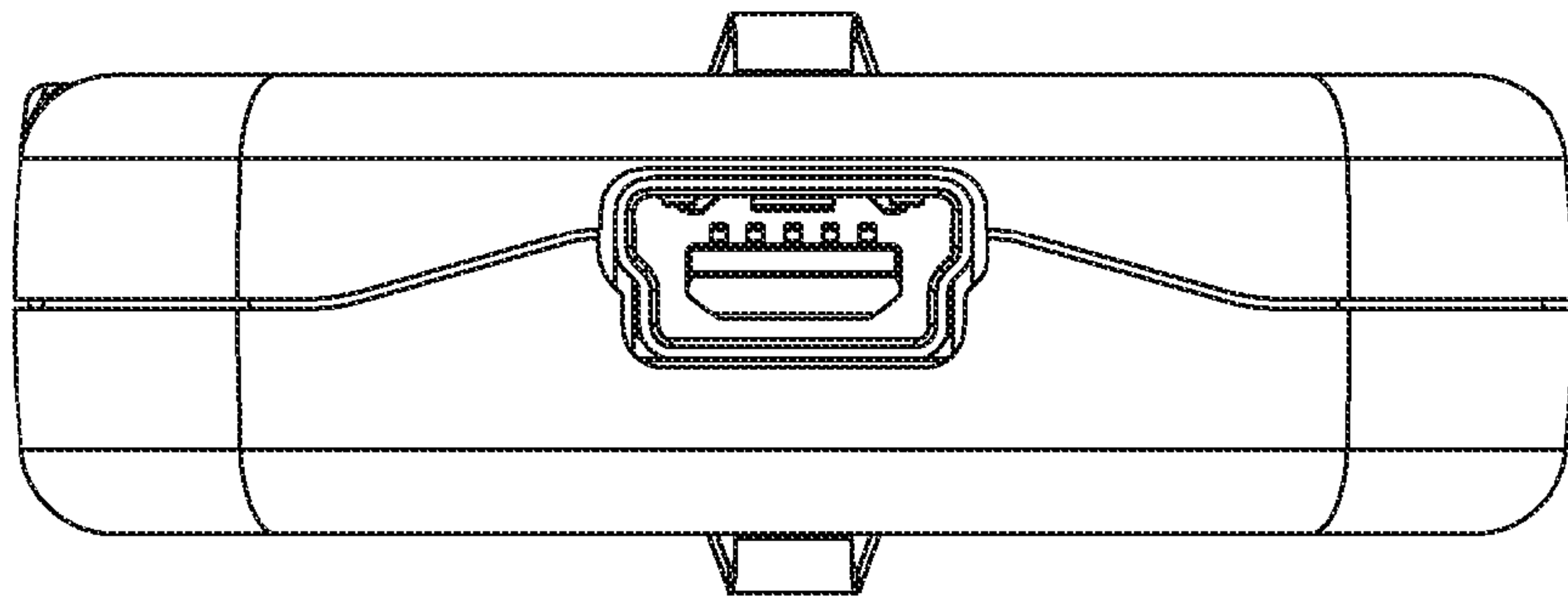


Fig. 5

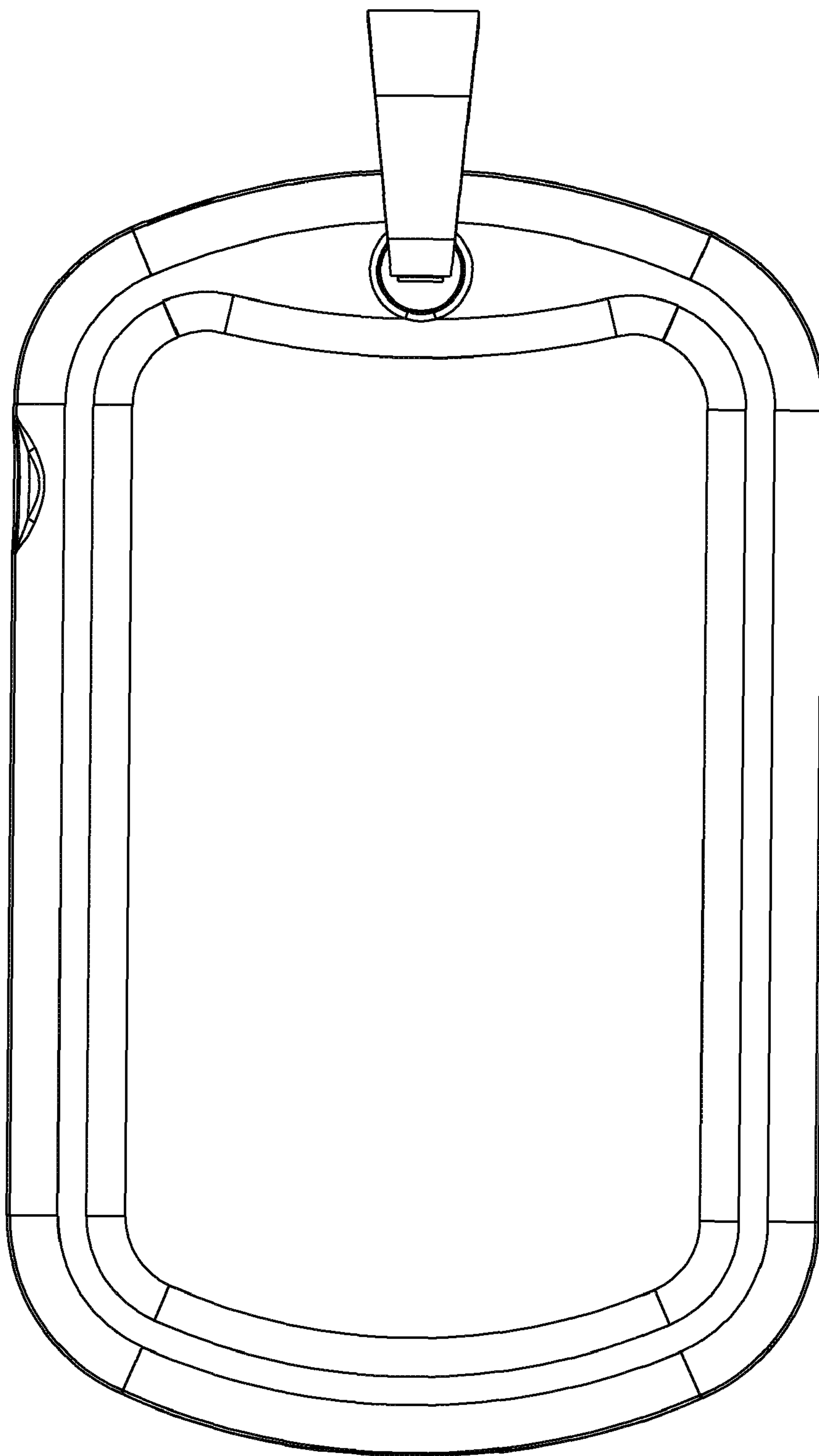


Fig. 6

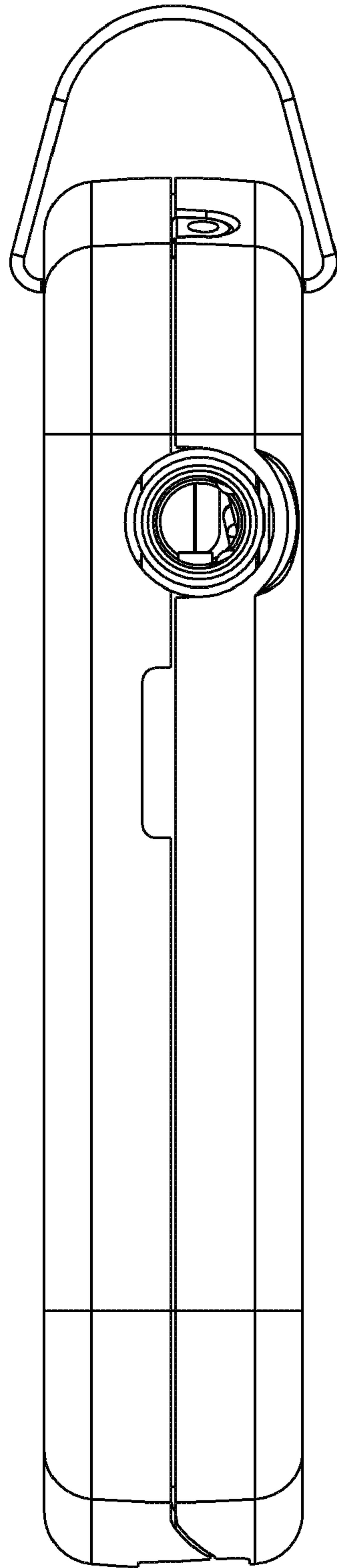


Fig. 7