



US00D622707S

(12) **United States Design Patent**
Chen et al.

(10) **Patent No.:** **US D622,707 S**
(45) **Date of Patent:** **** Aug. 31, 2010**

(54) **EARPHONE**

(75) Inventors: **Chih-Chung Chen**, Tu-Cheng (TW);
Kun-Wei Tsai, Tu-Cheng (TW)

(73) Assignee: **Cheng Uei Precision Industry Co., Ltd.**, Tu-Cheng, Taipei Hsien (TW)

(**) Term: **14 Years**

(21) Appl. No.: **29/344,952**

(22) Filed: **Oct. 6, 2009**

(51) **LOC (9) Cl.** **14-01**

(52) **U.S. Cl.** **D14/223**

(58) **Field of Classification Search** D14/205,
D14/206, 223; 181/129, 130, 135; 379/430,
379/420.03, 420.04; 381/380, 381; 455/569.1,
455/575.1; D24/174; D29/112
See application file for complete search history.

(56) **References Cited**

U.S. PATENT DOCUMENTS

4,736,435	A *	4/1988	Yokoyama et al.	381/380
4,742,887	A *	5/1988	Yamagishi	181/129
4,965,838	A *	10/1990	Kamon et al.	381/380
4,981,194	A *	1/1991	Kamon et al.	181/129
D316,550	S *	4/1991	Sogabe	D14/168
D318,865	S *	8/1991	Ichikawa	D14/205
D331,061	S *	11/1992	Hyohgo	D14/223
D331,062	S *	11/1992	Kanno	D14/223
D337,119	S *	7/1993	Taniguchi	D14/223
D337,589	S *	7/1993	Wada	D14/223
D340,932	S *	11/1993	Yan	D14/249
D353,379	S *	12/1994	Nakamura et al.	D14/223

D357,921	S *	5/1995	Ming-Chin	D14/223
D369,349	S *	4/1996	Hayashi	D14/223
D382,874	S *	8/1997	Peschke et al.	D14/142
5,809,159	A *	9/1998	Lee	381/380
D463,789	S *	10/2002	DeKalb et al.	D14/223
D523,846	S *	6/2006	Lee	D14/205
D531,169	S *	10/2006	Tokioka et al.	D14/223
D554,109	S *	10/2007	Ledbetter et al.	D14/223
D566,687	S *	4/2008	Duarte et al.	D14/205
D568,291	S *	5/2008	Andre et al.	D14/205
D575,269	S *	8/2008	Ledbetter et al.	D14/205
D578,517	S *	10/2008	Pausch	D14/223
D601,133	S *	9/2009	Ohuri	D14/223

* cited by examiner

Primary Examiner—Paula Greene

(74) *Attorney, Agent, or Firm*—Cheng-Ju Chiang

(57) **CLAIM**

The ornamental design for earphone, as shown and described.

DESCRIPTION

FIG. 1 is a perspective view of earphone showing our new design;

FIG. 2 is a front elevational view thereof;

FIG. 3 is a rear elevational view thereof;

FIG. 4 is a left side elevational view thereof;

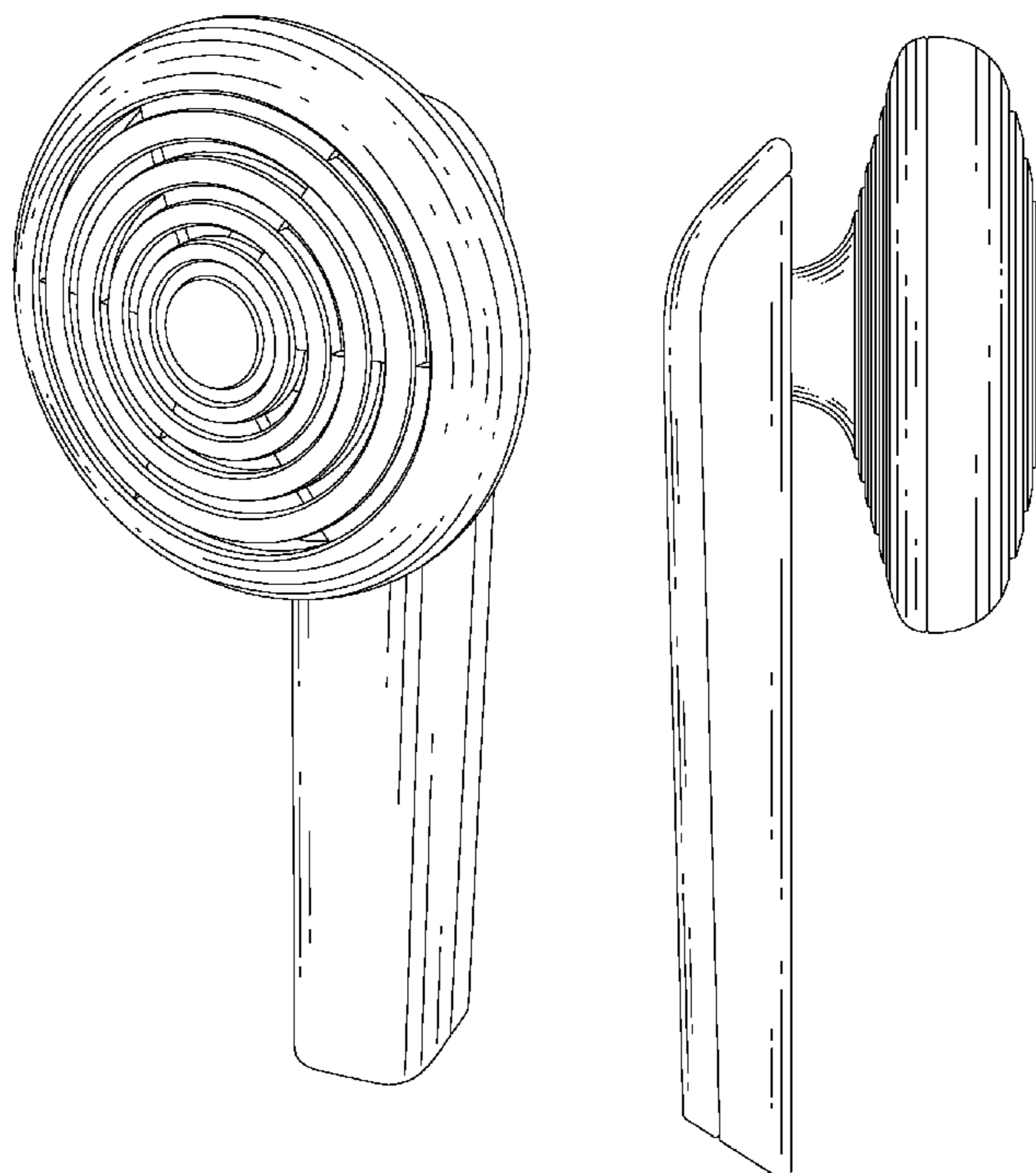
FIG. 5 is a right side elevational view thereof;

FIG. 6 is a top plan view thereof;

FIG. 7 is a bottom plan view thereof; and,

FIG. 8 is another perspective view of earphone showing our new design.

1 Claim, 8 Drawing Sheets



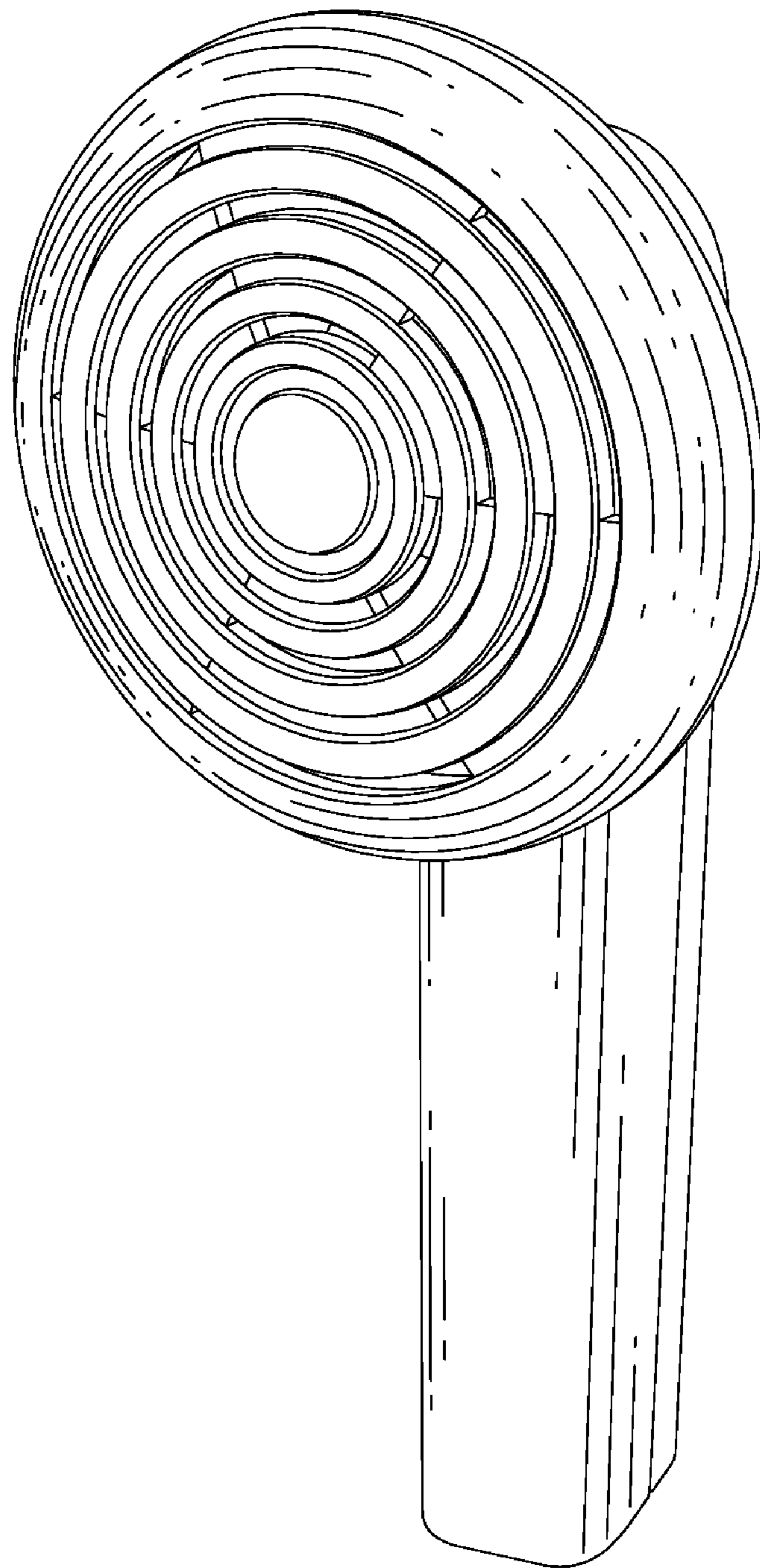


FIG. 1

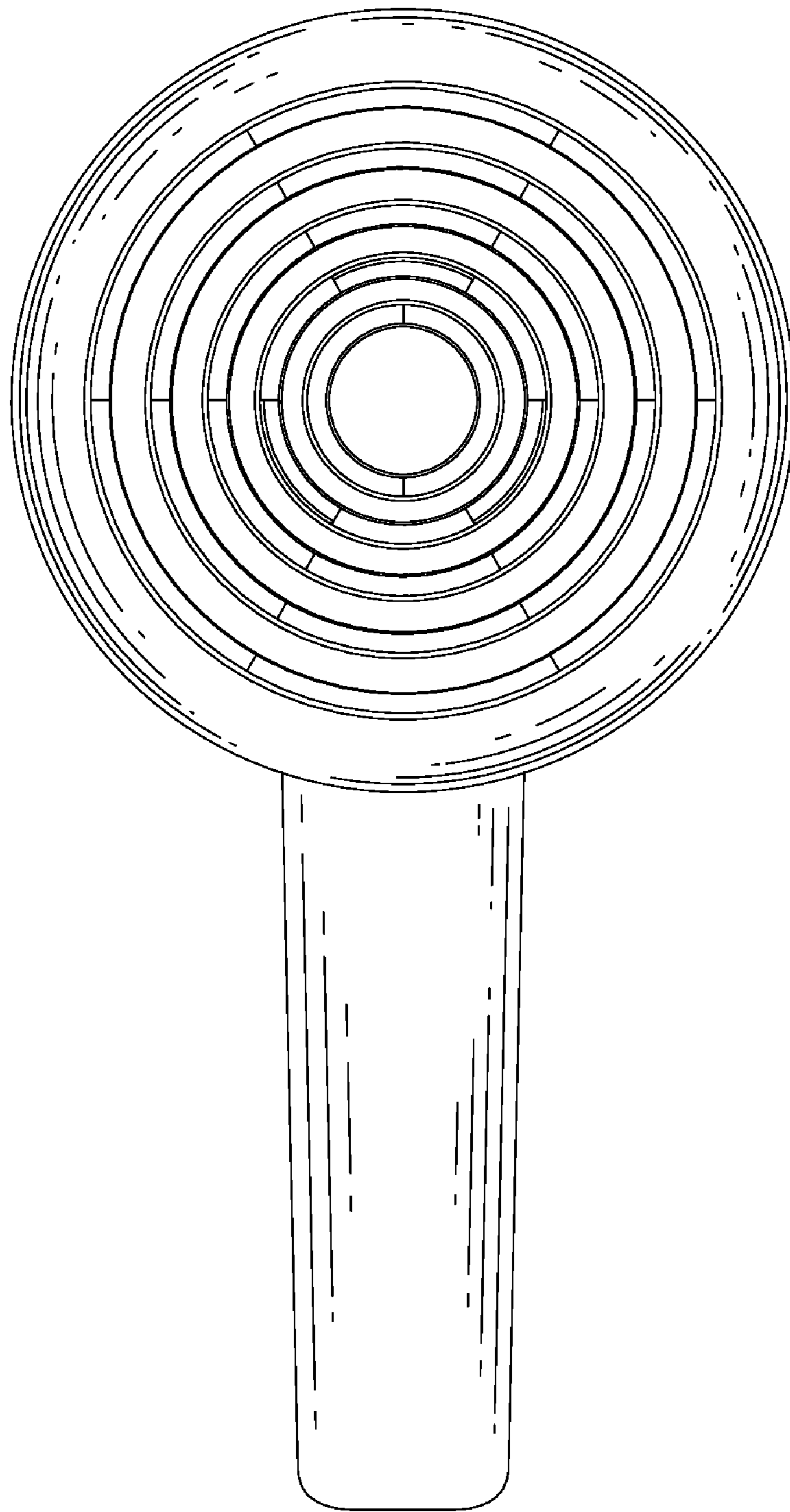


FIG. 2

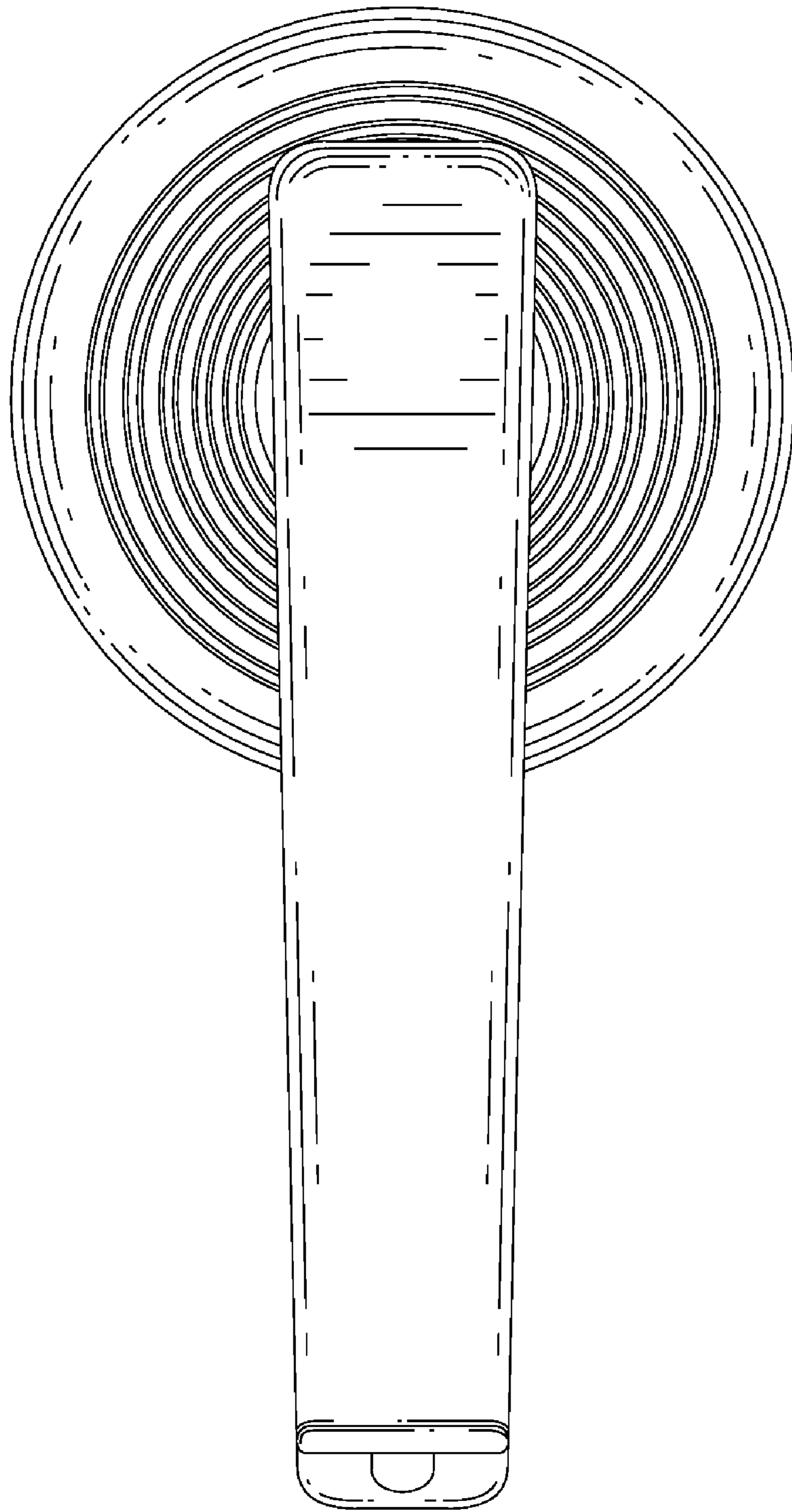


FIG. 3

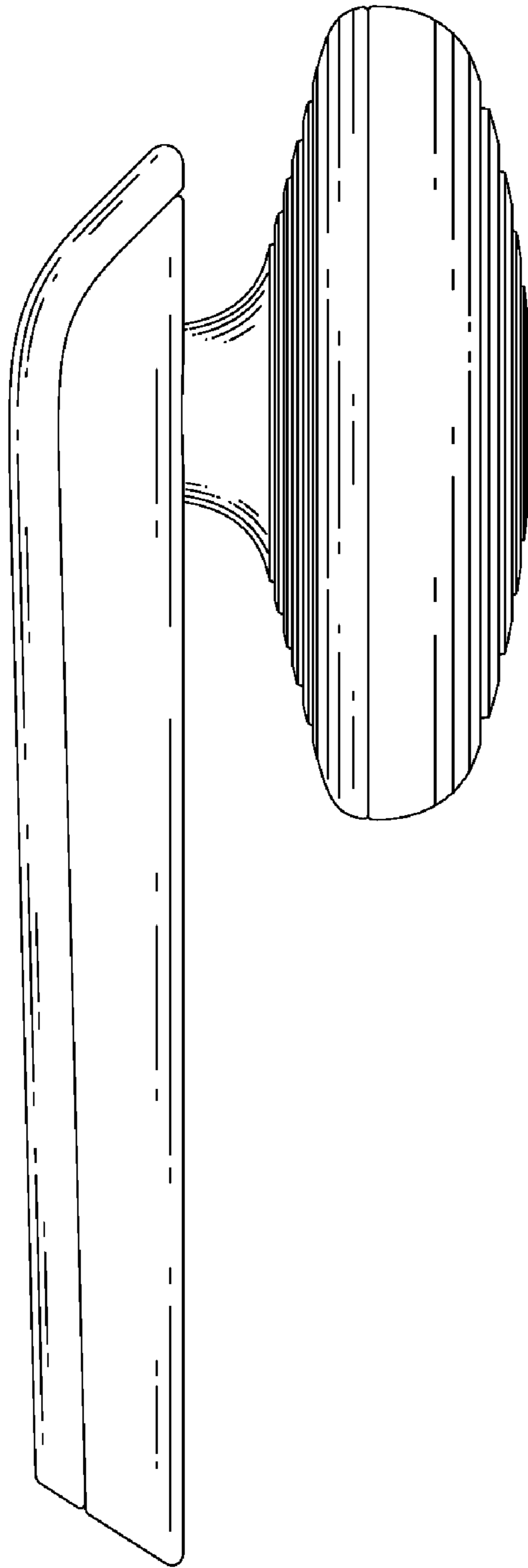


FIG. 4

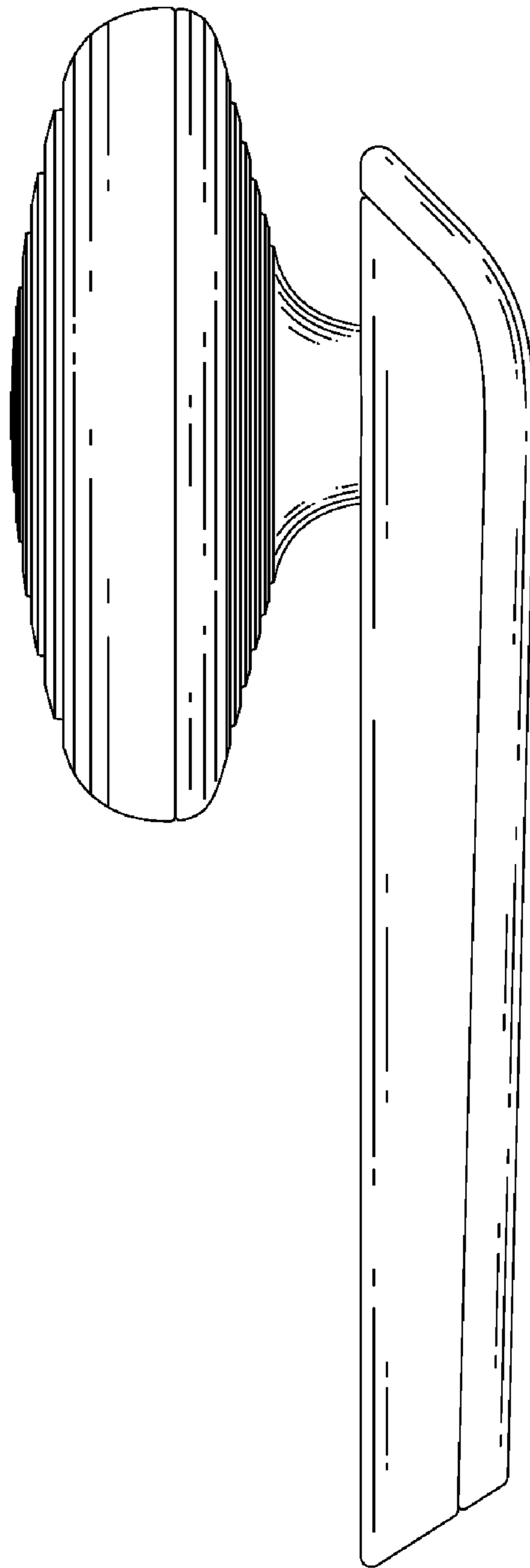


FIG. 5

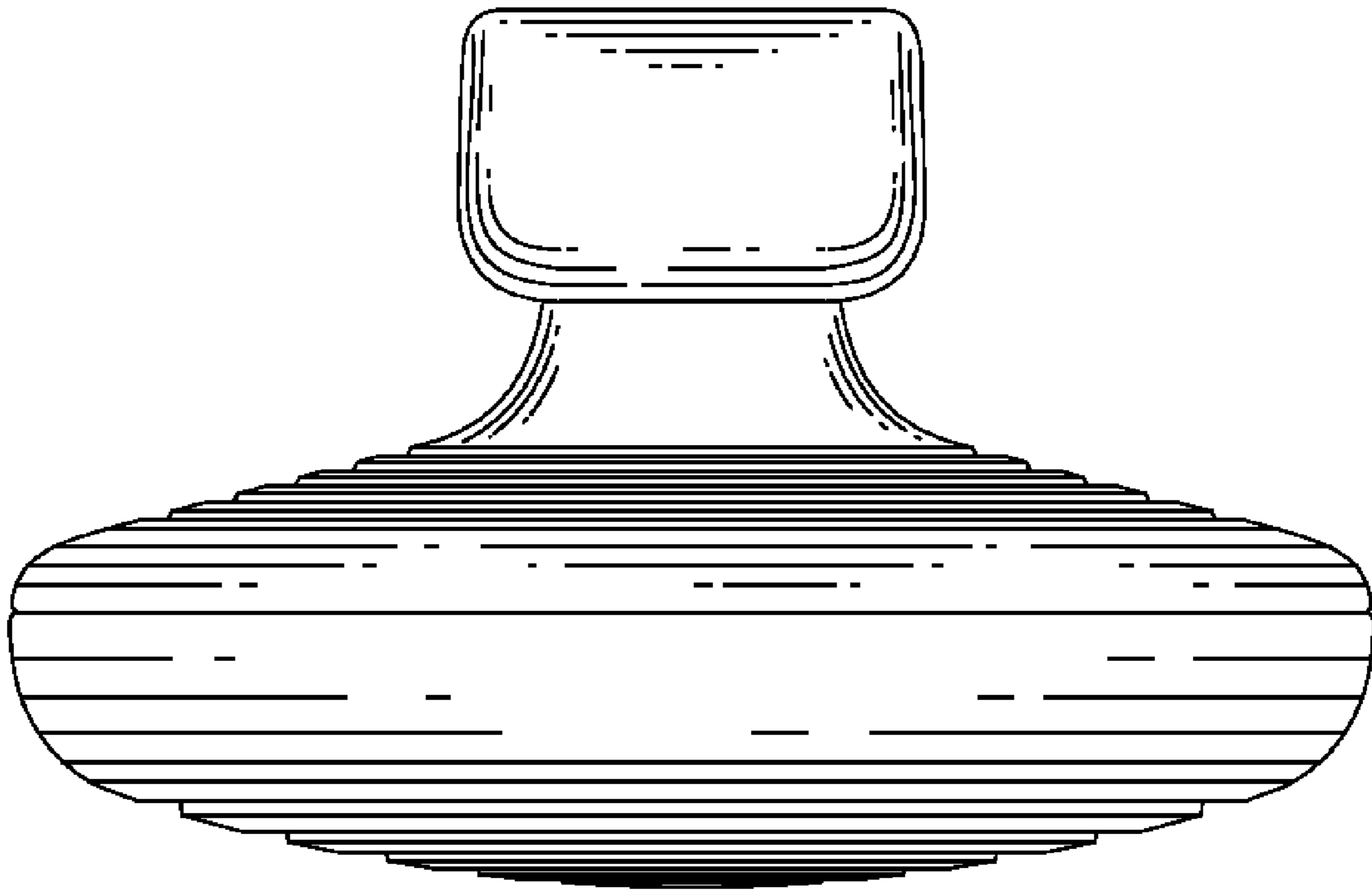


FIG. 6

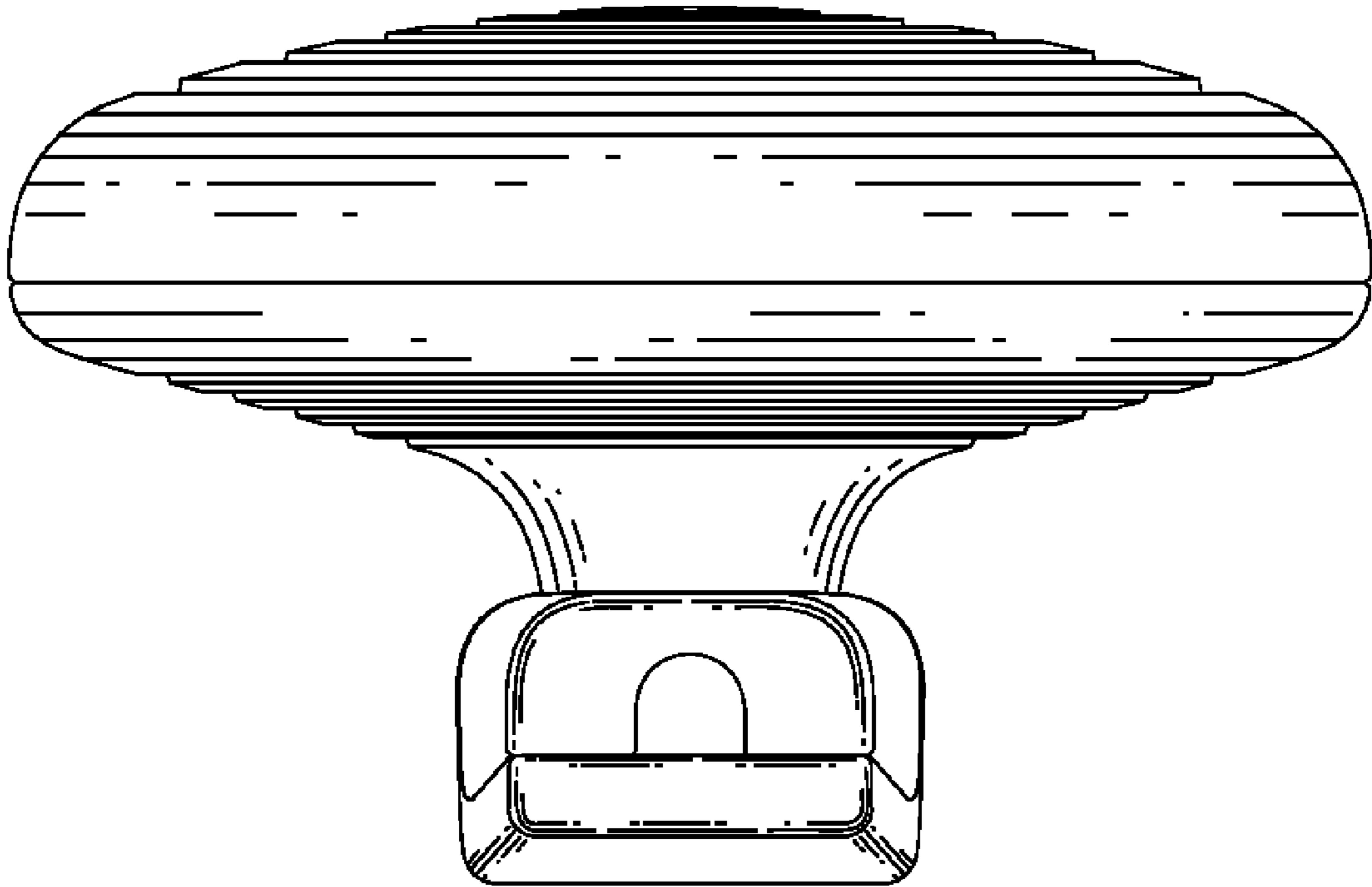


FIG. 7

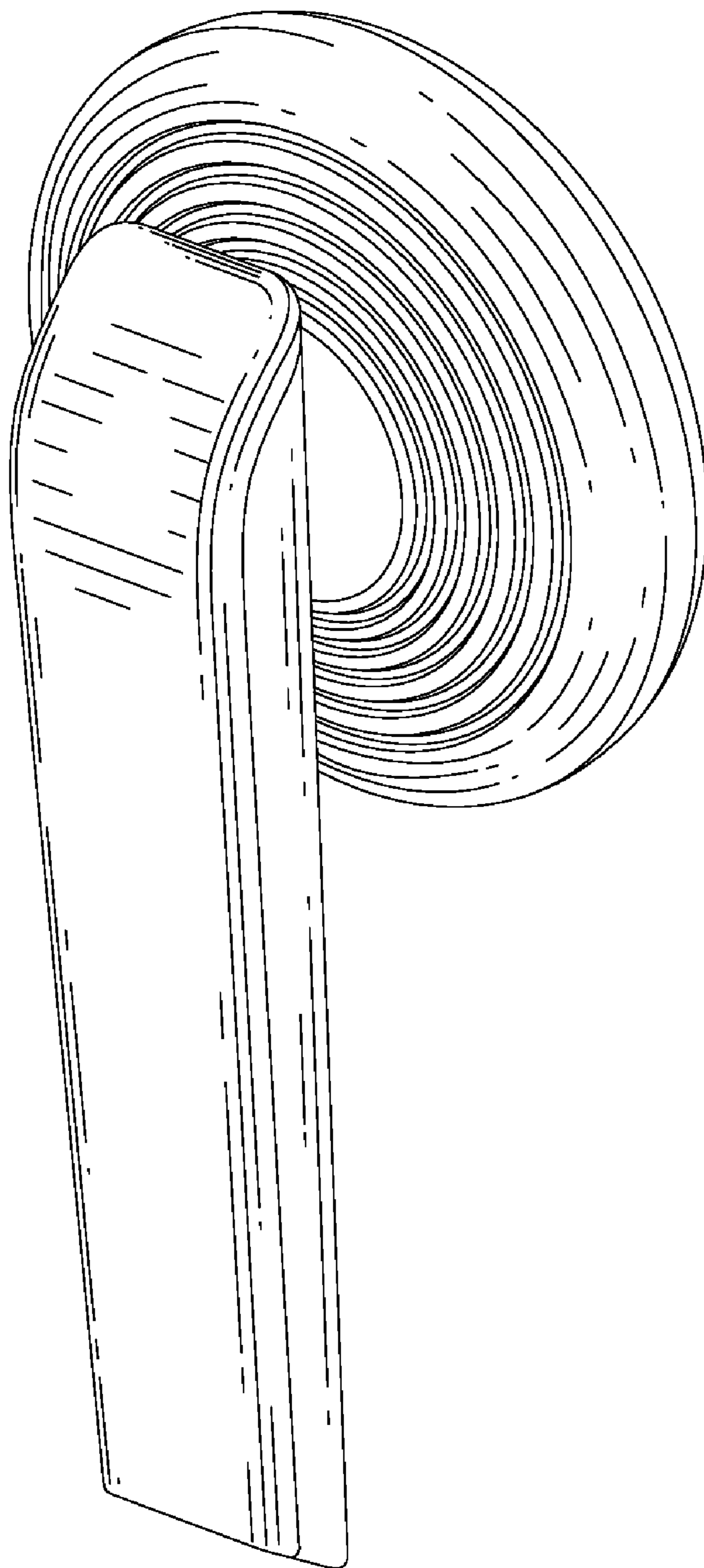


FIG. 8