



US00D622706S

(12) **United States Design Patent**
Tzeng et al.

(10) **Patent No.:** **US D622,706 S**

(45) **Date of Patent:** **** Aug. 31, 2010**

(54) **BLUETOOTH HEADSET**

(75) Inventors: **Guan-Hua Tzeng**, Tu-Cheng (TW);
Kun-Wei Tsai, Tu-Cheng (TW)

(73) Assignee: **Cheng Uei Precision Industry Co., Ltd.**, Tu-Cheng, Taipei Hsien (TW)

(**) Term: **14 Years**

(21) Appl. No.: **29/344,122**

(22) Filed: **Sep. 23, 2009**

(51) **LOC (9) Cl.** **14-01**

(52) **U.S. Cl.** **D14/223**

(58) **Field of Classification Search** D14/205,
D14/206, 223, 192; 181/129, 130; 379/430,
379/420.02, 433.01, 428.01; 381/380, 381,
381/379, 378, 377, 376; 455/90.1, 569.1,
455/575.2

See application file for complete search history.

(56) **References Cited**

U.S. PATENT DOCUMENTS

D475,359 S *	6/2003	Hirose	D14/480.1
D500,484 S *	1/2005	Deguchi	D14/480.1
D508,479 S *	8/2005	Okada	D14/206
D508,485 S *	8/2005	Katsumata	D14/223
D509,210 S *	9/2005	Skulley et al.	D14/205
D511,770 S *	11/2005	Chung	D14/240
D512,991 S *	12/2005	Yano	D14/223
D526,313 S *	8/2006	Murray	D14/223
D533,540 S *	12/2006	Murray	D14/205
D538,784 S *	3/2007	Eklund	D14/205
D543,539 S *	5/2007	Sade et al.	D14/223
D553,613 S *	10/2007	Sade et al.	D14/223
D554,630 S *	11/2007	Ma	D14/240
D555,151 S *	11/2007	Eklund	D14/223

D556,740 S *	12/2007	Xavier	D14/223
D566,105 S *	4/2008	Yang et al.	D14/223
D566,692 S *	4/2008	Sade et al.	D14/223
D574,366 S *	8/2008	Sade et al.	D14/223
D577,713 S *	9/2008	Kim et al.	D14/218
D586,791 S *	2/2009	Birger et al.	D14/223
D590,378 S *	4/2009	Bradford	D14/223
D595,262 S *	6/2009	Nousiainen	D14/206
D596,166 S *	7/2009	Henning	D14/223
D602,006 S *	10/2009	Kim et al.	D14/223
D602,476 S *	10/2009	Lee et al.	D14/223

* cited by examiner

Primary Examiner—Paula Greene

(74) *Attorney, Agent, or Firm*—Cheng-Ju Chiang

(57) **CLAIM**

The ornamental design for bluetooth headset, as shown and described.

DESCRIPTION

FIG. 1 is a perspective view of bluetooth headset showing our new design;

FIG. 2 is a front elevational view thereof;

FIG. 3 is a rear elevational view thereof;

FIG. 4 is a left side elevational view thereof;

FIG. 5 is a right side elevational view thereof;

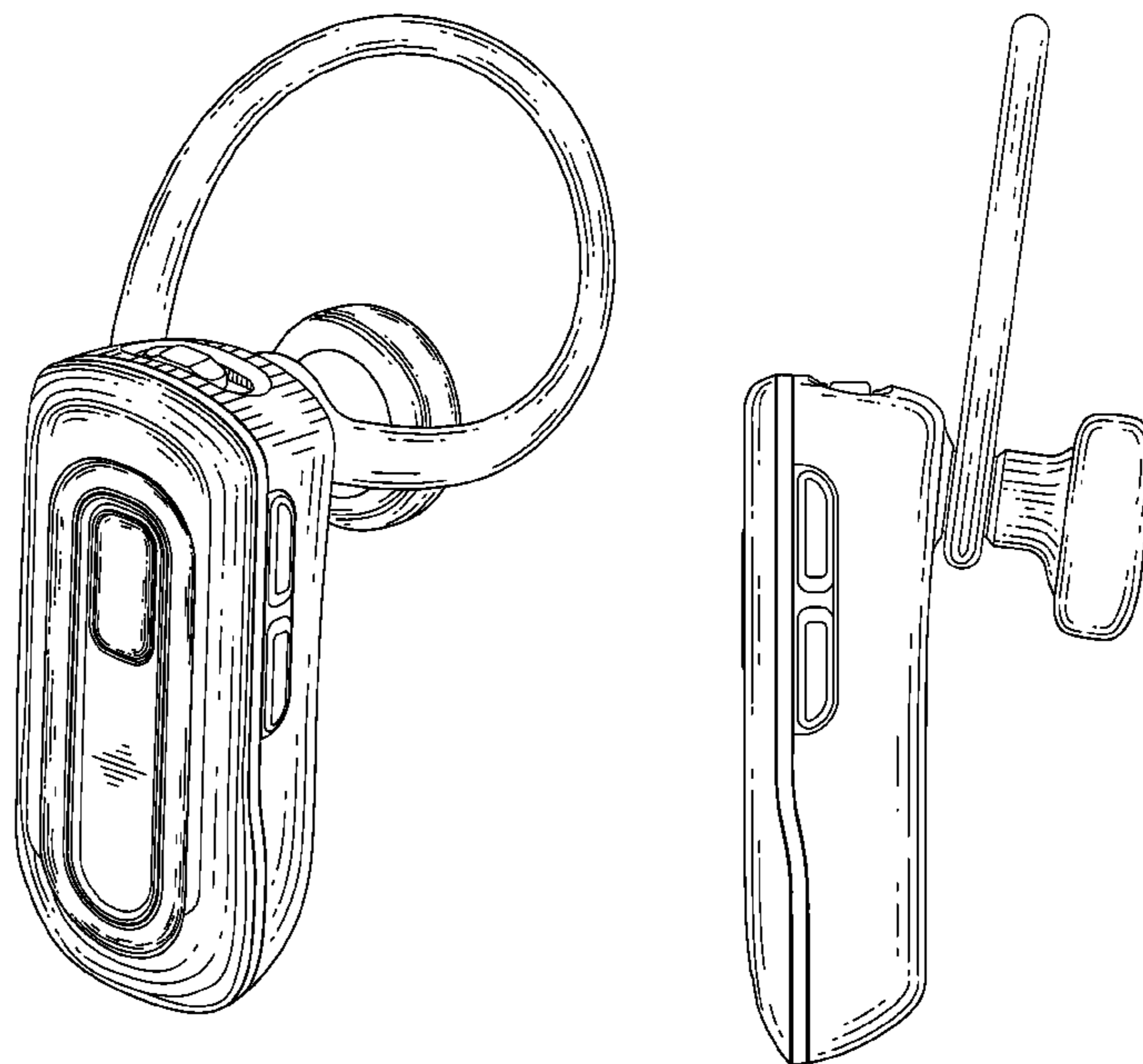
FIG. 6 is a top plan view thereof;

FIG. 7 is a bottom plan view thereof; and,

FIG. 8 is another perspective view of bluetooth headset showing our new design.

The broken lines in the Figures are for illustrative purposes and form no part of the claimed design.

1 Claim, 8 Drawing Sheets



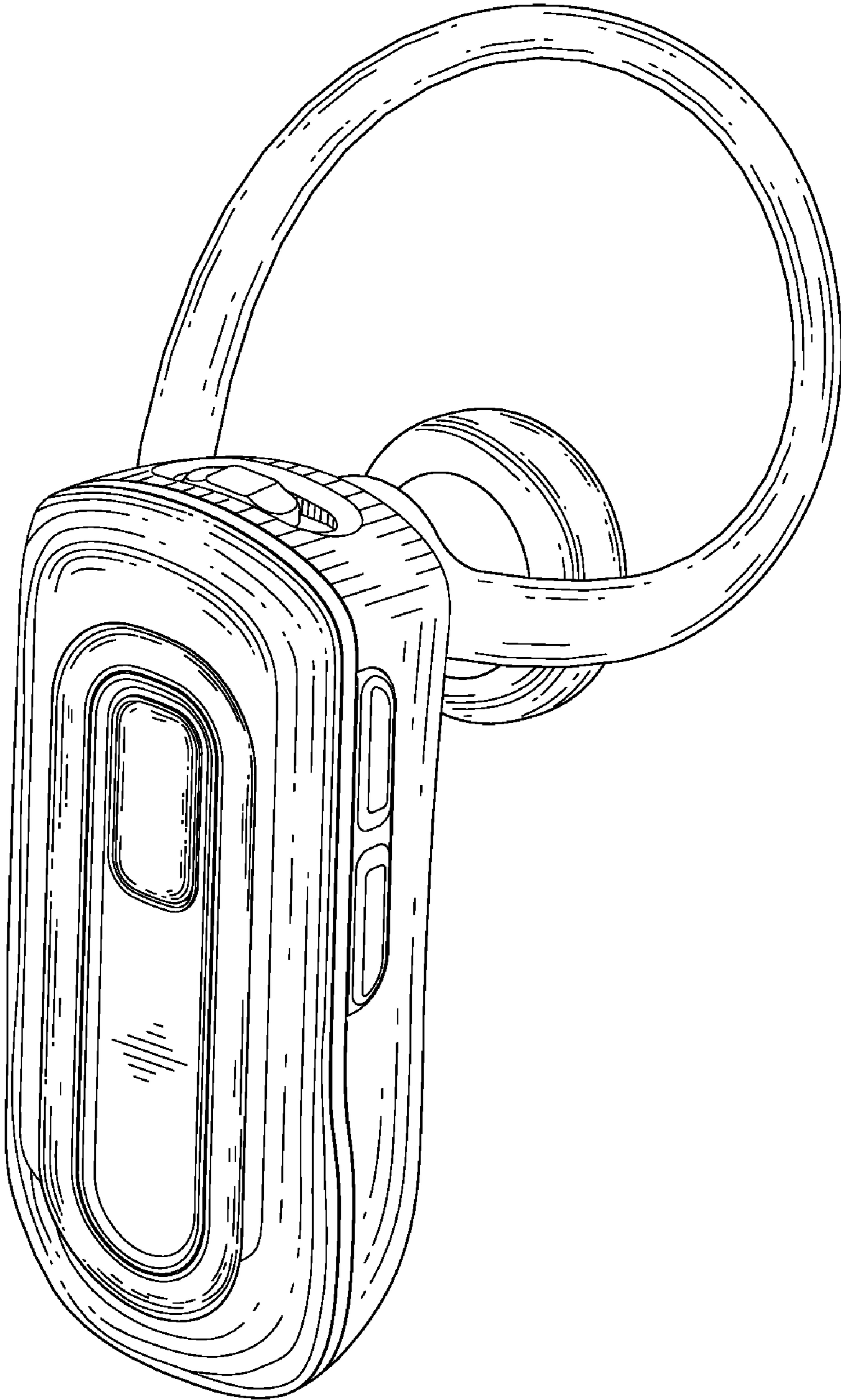


FIG. 1

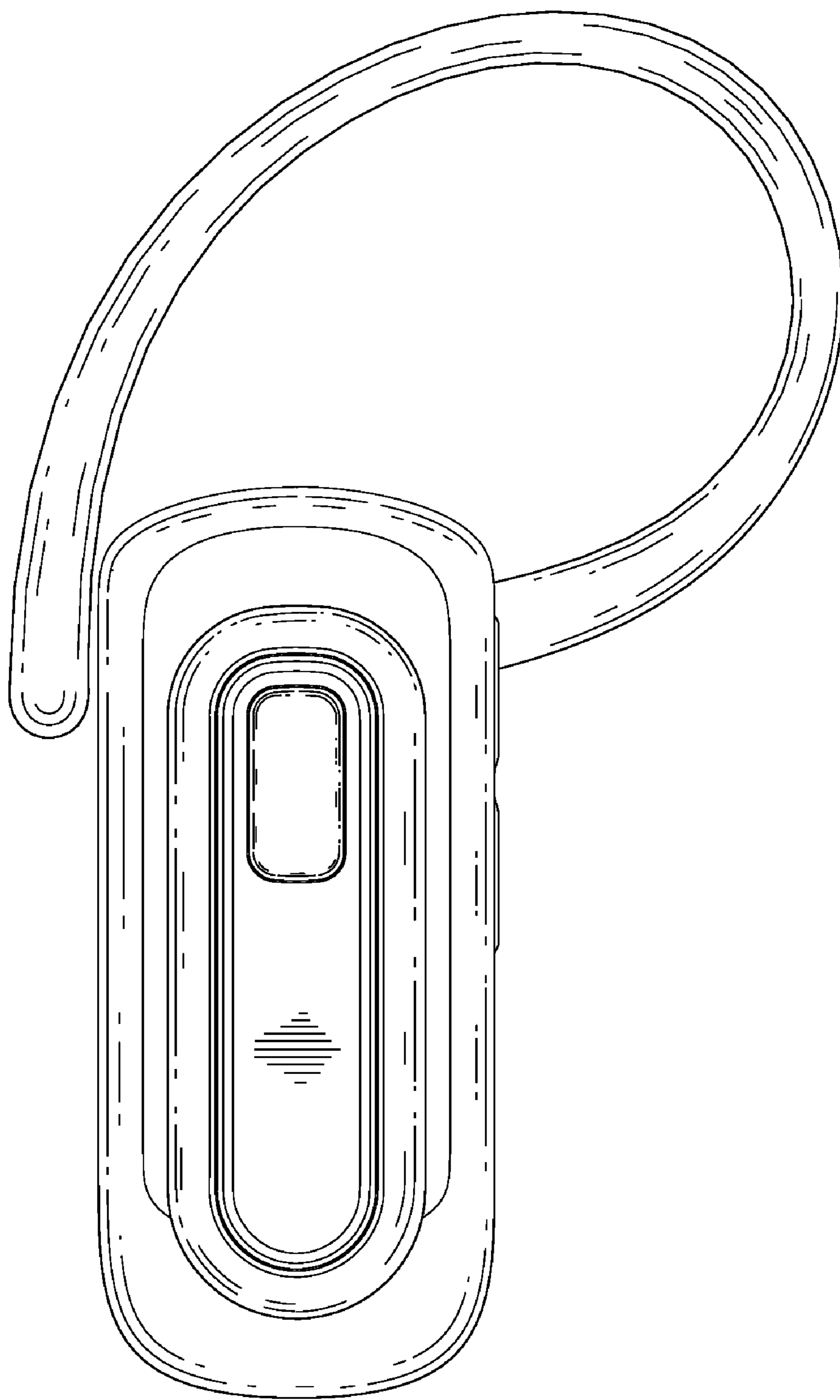


FIG. 2

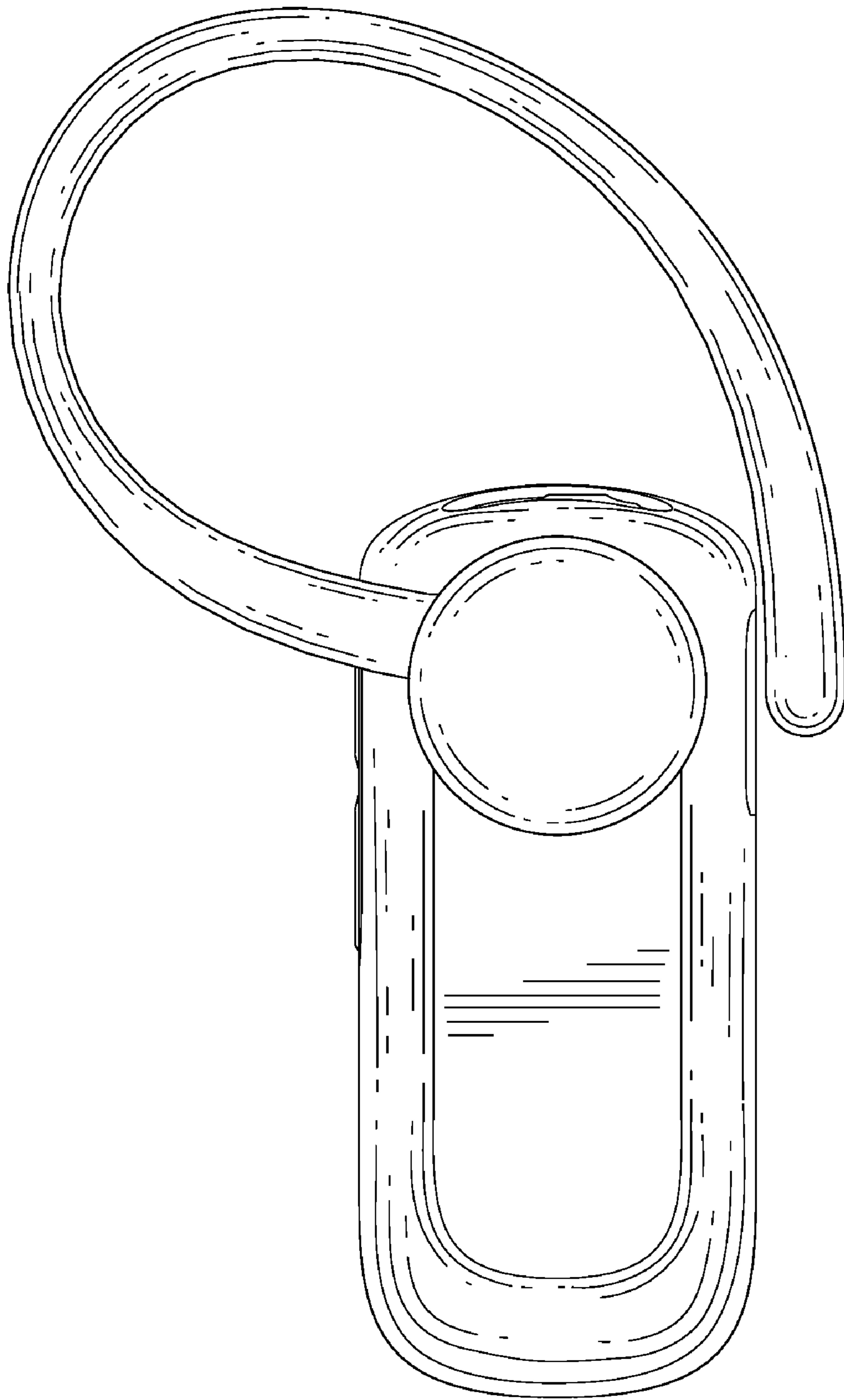


FIG. 3

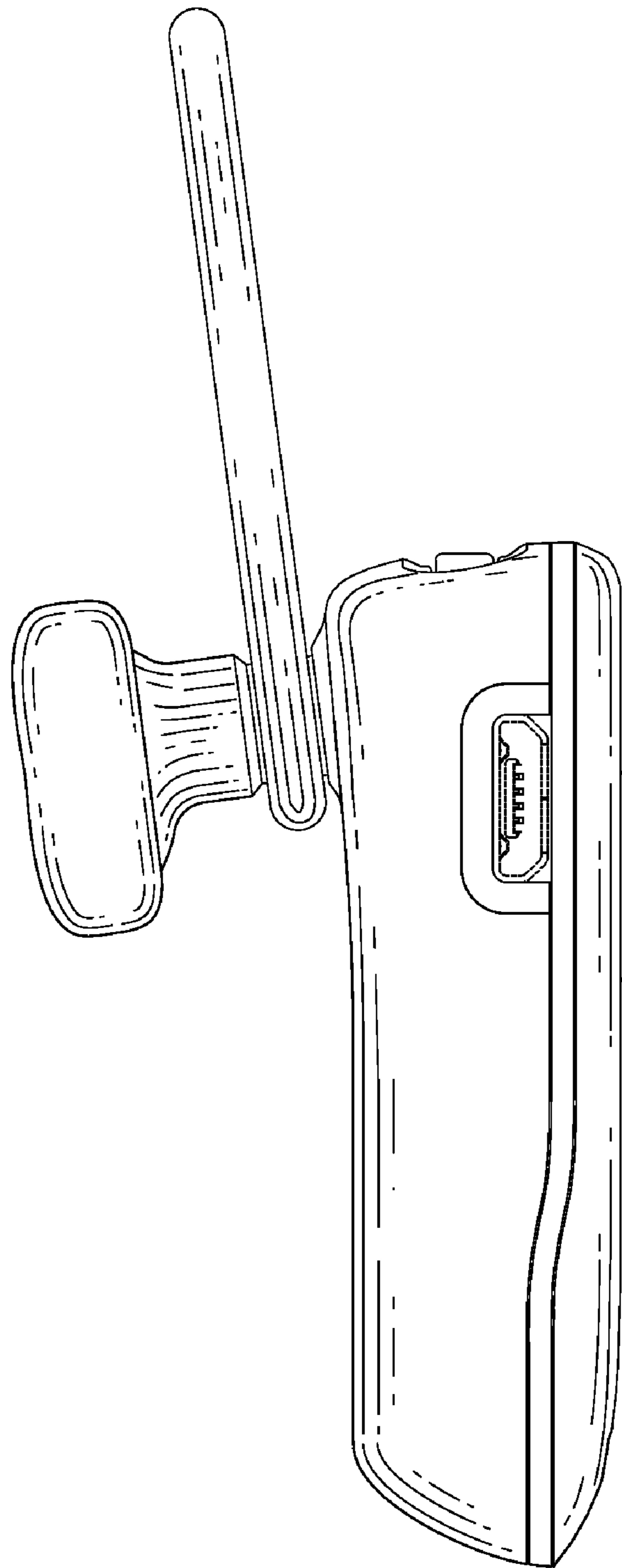


FIG. 4

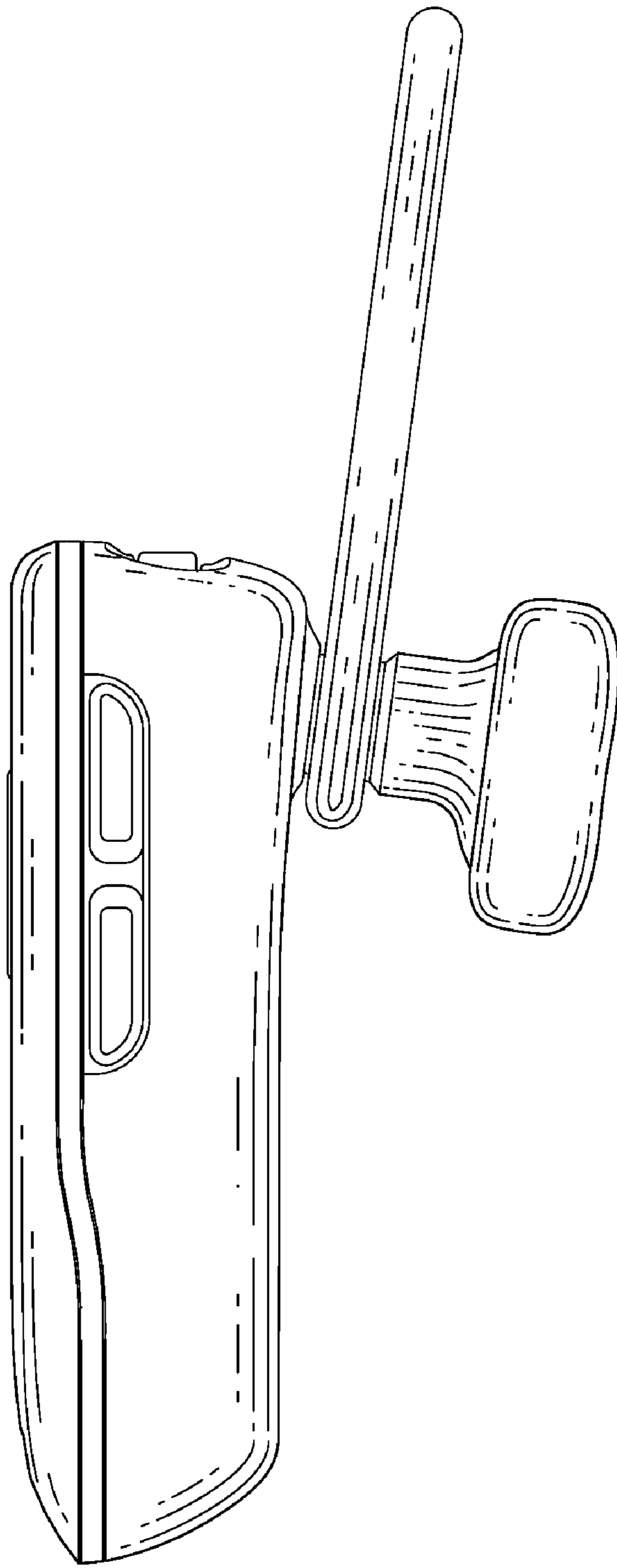


FIG. 5

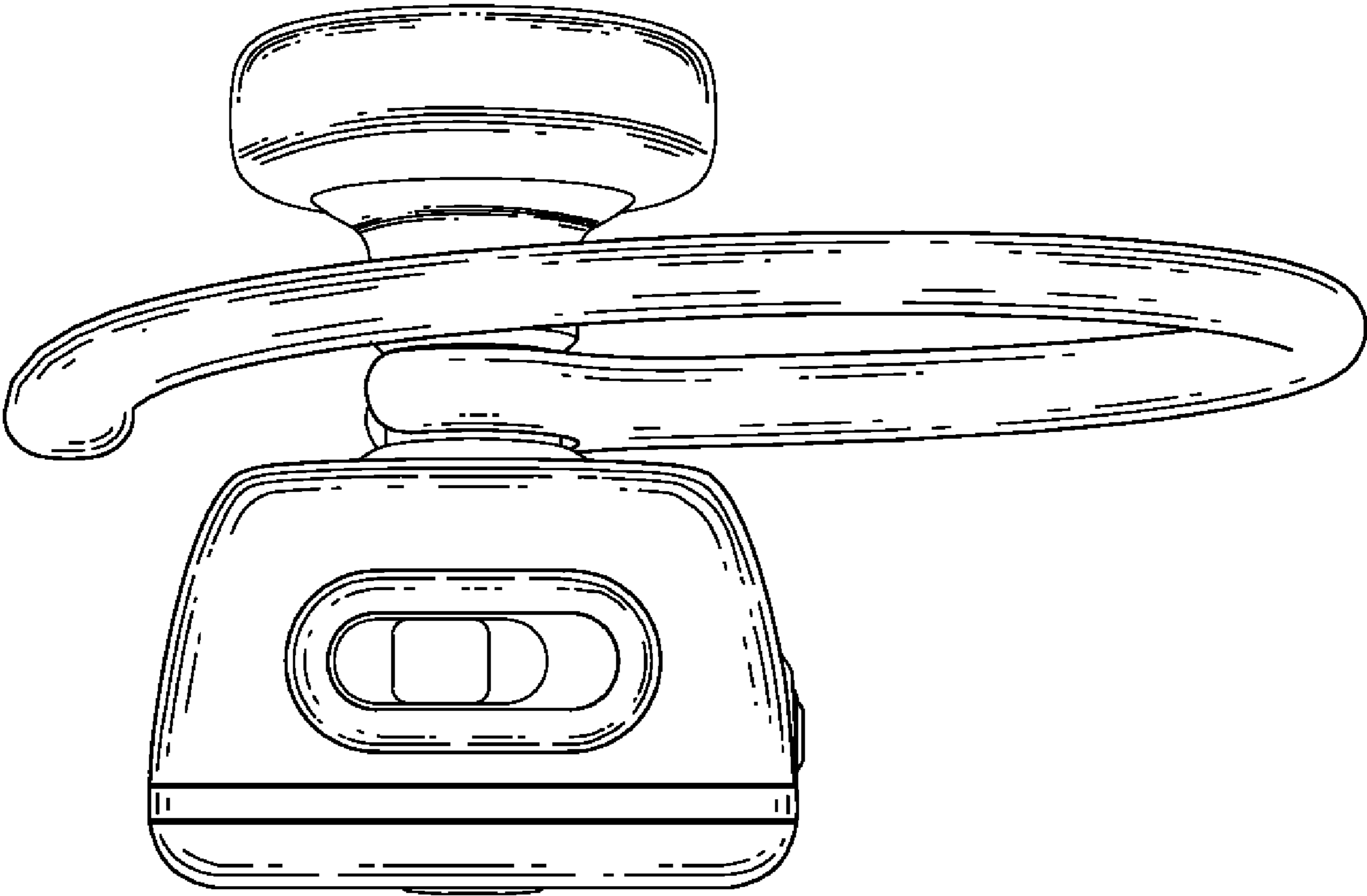


FIG. 6

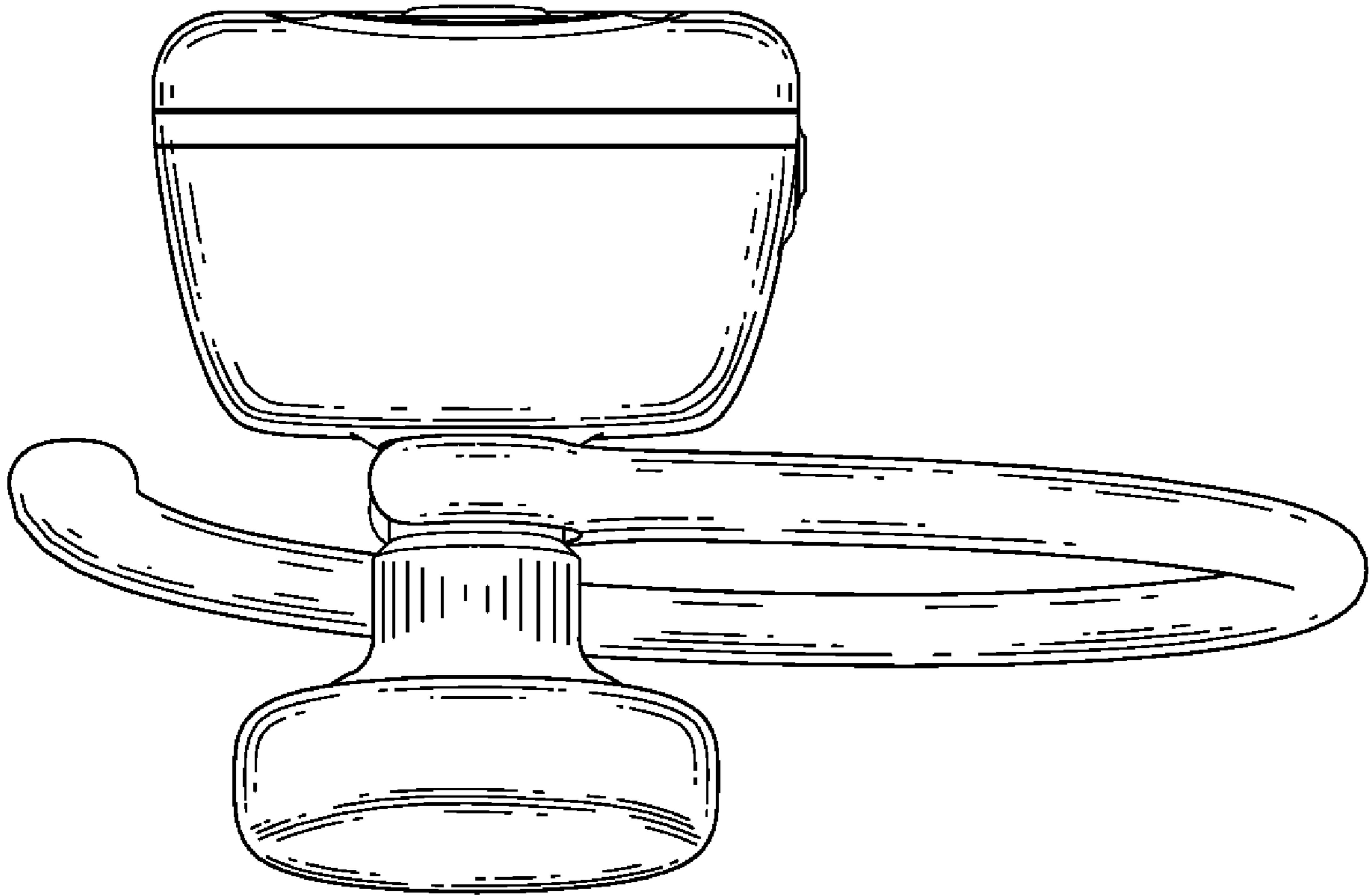


FIG. 7

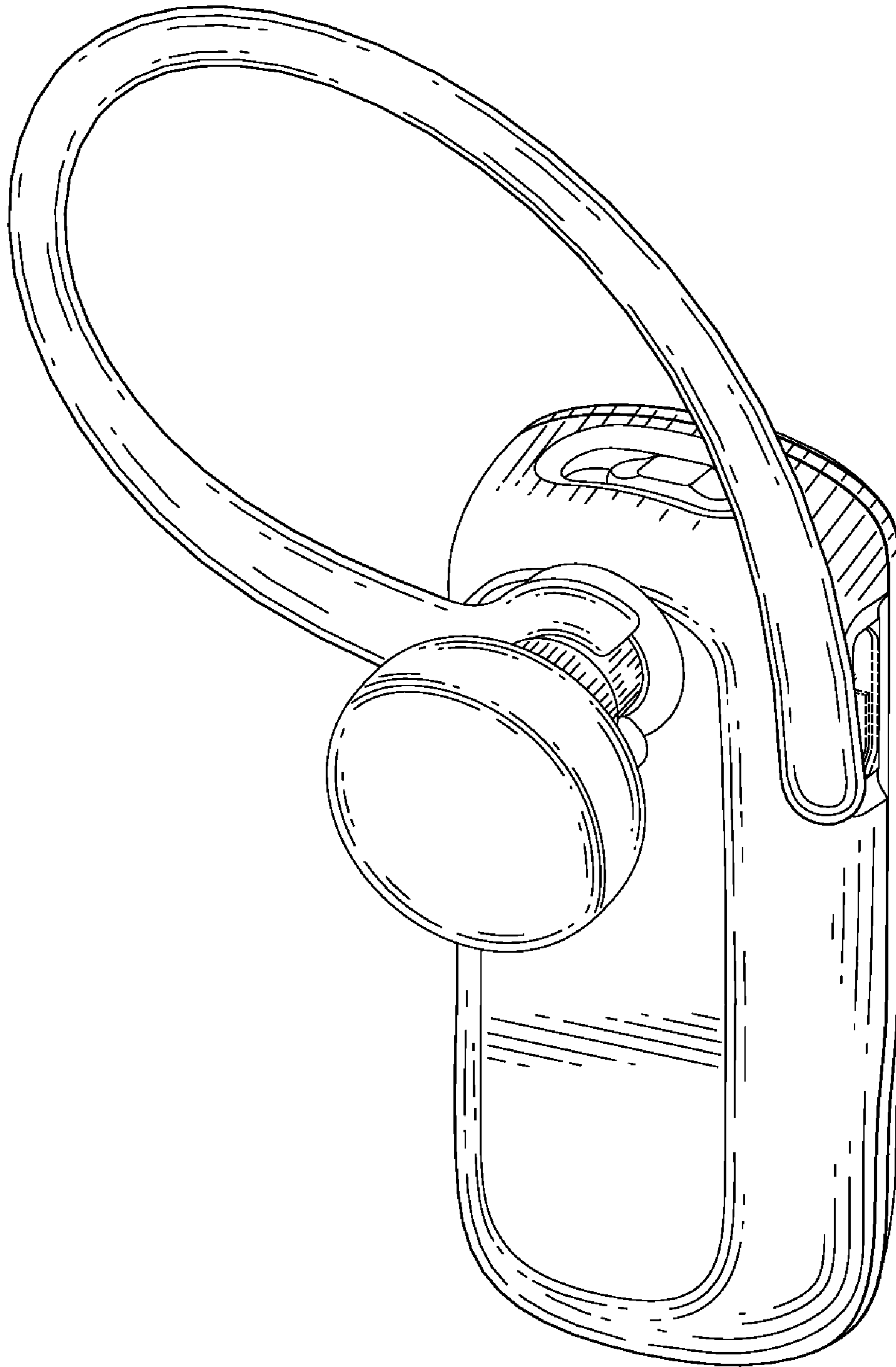


FIG. 8