



US00D622699S

(12) **United States Design Patent**  
**Jiang et al.**

(10) **Patent No.:** **US D622,699 S**

(45) **Date of Patent:** **\*\* Aug. 31, 2010**

(54) **SPEAKER**

(75) Inventors: **Bin Jiang**, Shenzhen (CN); **Te-Hua Lee**,  
Taipei Hsien (TW)

(73) Assignee: **Hon Hai Precision Industry Co., Ltd.**,  
Tu-Cheng, Taipei Hsien (TW)

(\*\*) Term: **14 Years**

(21) Appl. No.: **29/352,725**

(22) Filed: **Dec. 23, 2009**

(30) **Foreign Application Priority Data**

Jun. 26, 2009 (CN) ..... 2009 3 0307515

(51) **LOC (9) Cl.** ..... **14-01**

(52) **U.S. Cl.** ..... **D14/209.1; D14/168**

(58) **Field of Classification Search** ..... D14/204,  
D14/209.1, 210-216, 168, 172; 181/143-144,  
181/147-148, 150-153, 157, 198-199; 381/300-303,  
381/306, 332-333, 336, 345, 361-364, 386-388  
See application file for complete search history.

(56) **References Cited**

**U.S. PATENT DOCUMENTS**

D282,540 S \* 2/1986 Clason ..... D14/214

D313,596 S \* 1/1991 Tsuboi ..... D14/163  
D411,198 S \* 6/1999 Kawase ..... D14/168  
D491,167 S \* 6/2004 Yokoyama ..... D14/215  
D531,989 S \* 11/2006 Dayan ..... D14/215  
D578,109 S \* 10/2008 Han ..... D14/215

\* cited by examiner

*Primary Examiner*—Nanda Bondade

(74) *Attorney, Agent, or Firm*—Frank R. Niranjan

(57) **CLAIM**

The ornamental design for a speaker, as shown and described.

**DESCRIPTION**

FIG. 1 is a perspective view of a speaker showing my design;

FIG. 2 is a front elevational view thereof;

FIG. 3 is a rear elevational view thereof;

FIG. 4 is a left side, elevational view thereof;

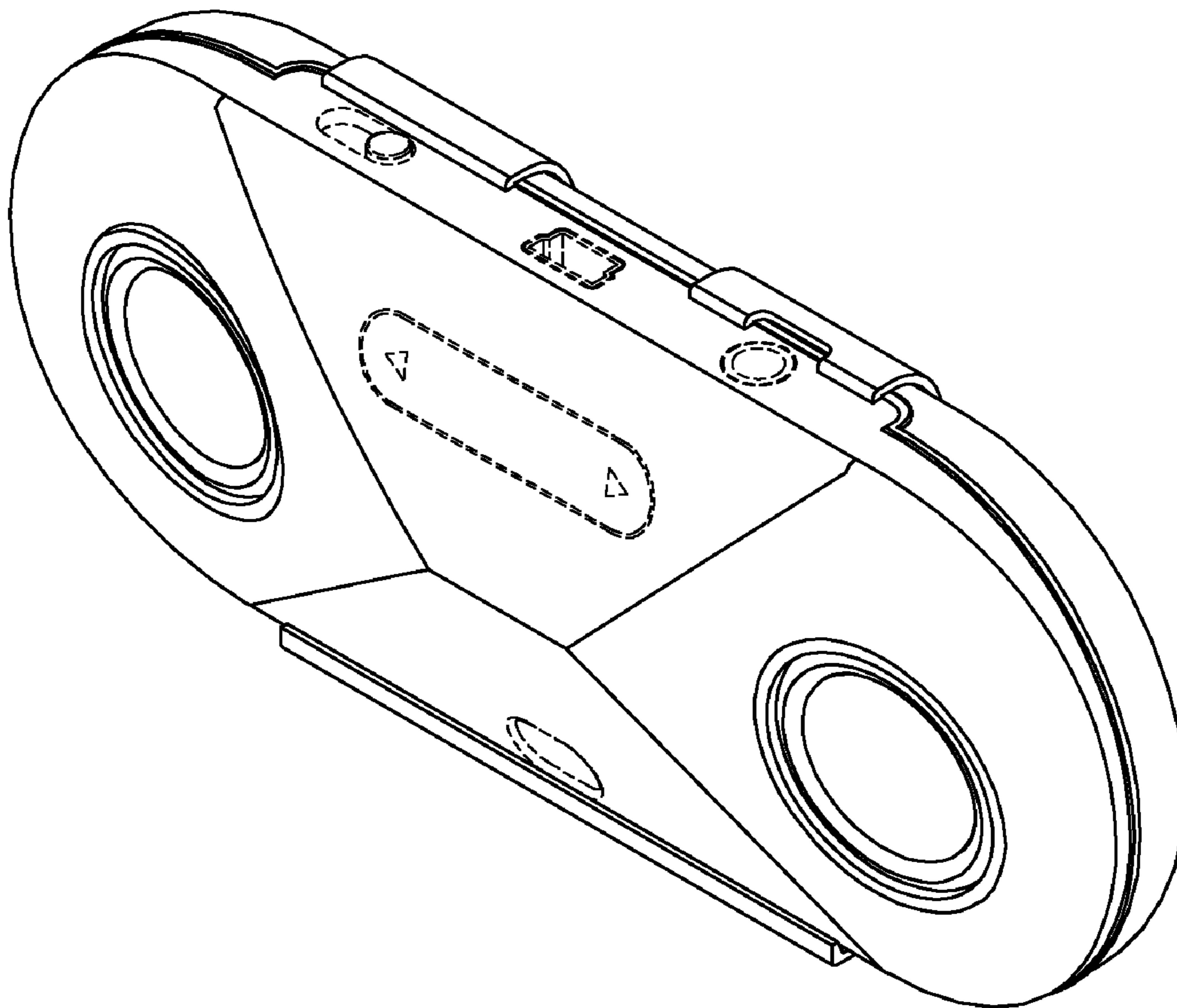
FIG. 5 is a right side, elevational view thereof;

FIG. 6 is a top plan view thereof; and,

FIG. 7 is a bottom plan view thereof.

The broken lines are shown for the purpose of illustration only and form no part of the claimed design.

**1 Claim, 7 Drawing Sheets**



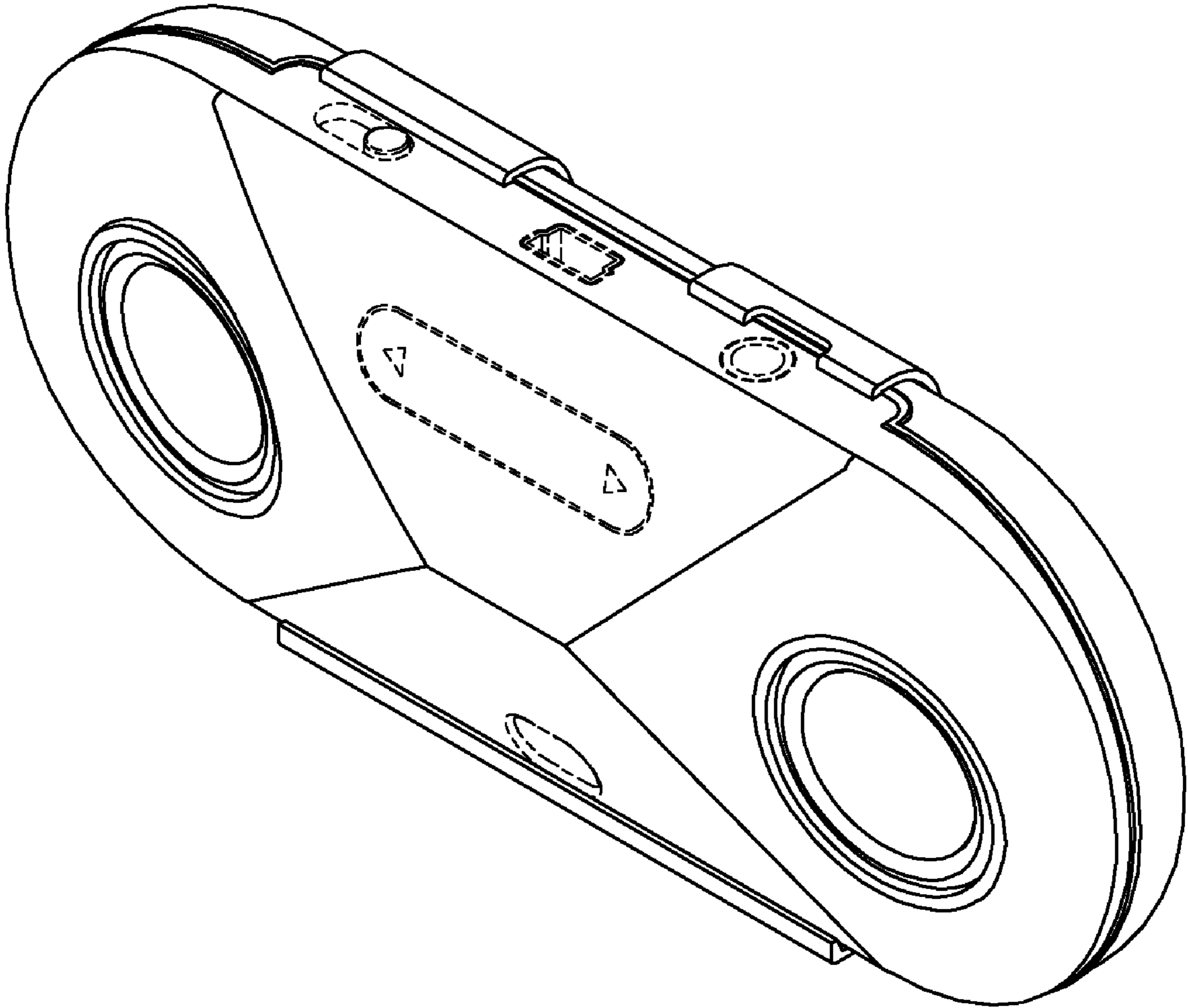


FIG. 1

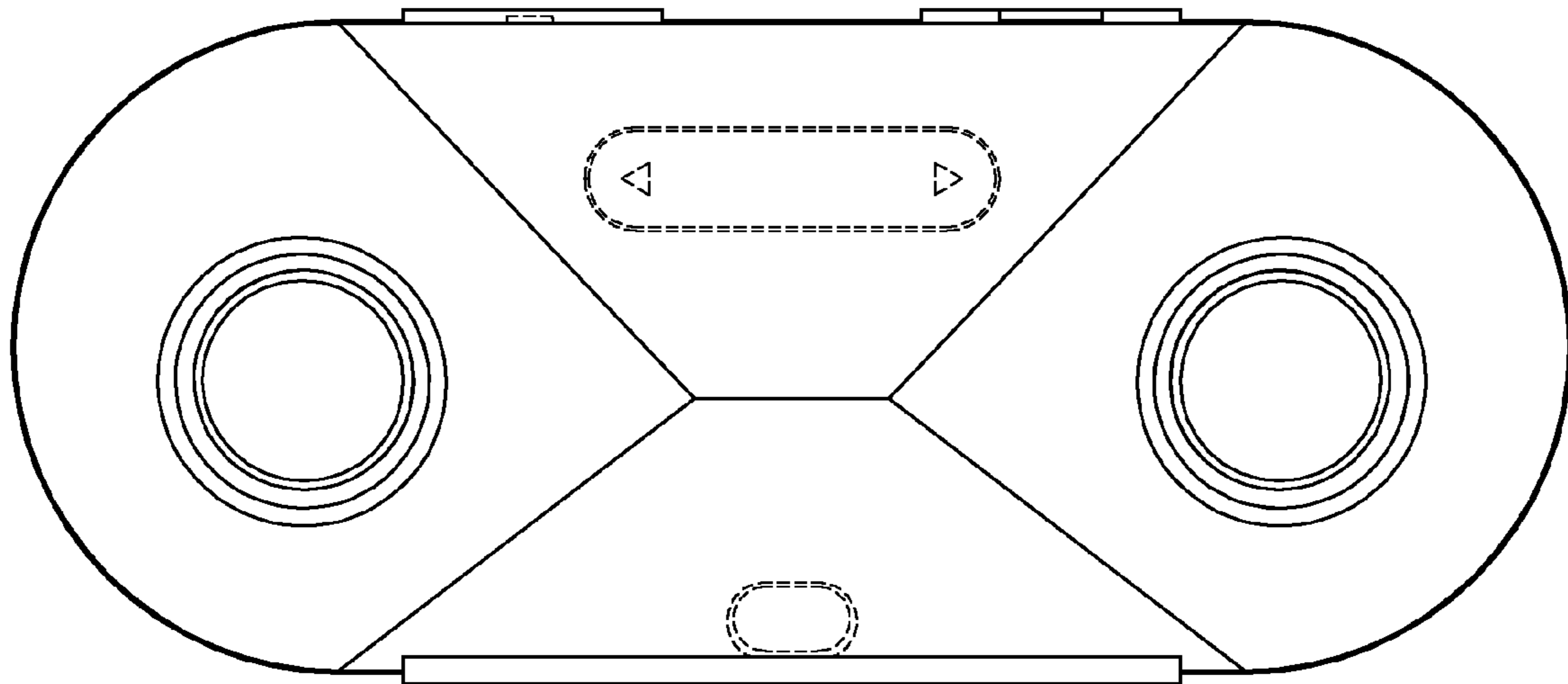


FIG. 2

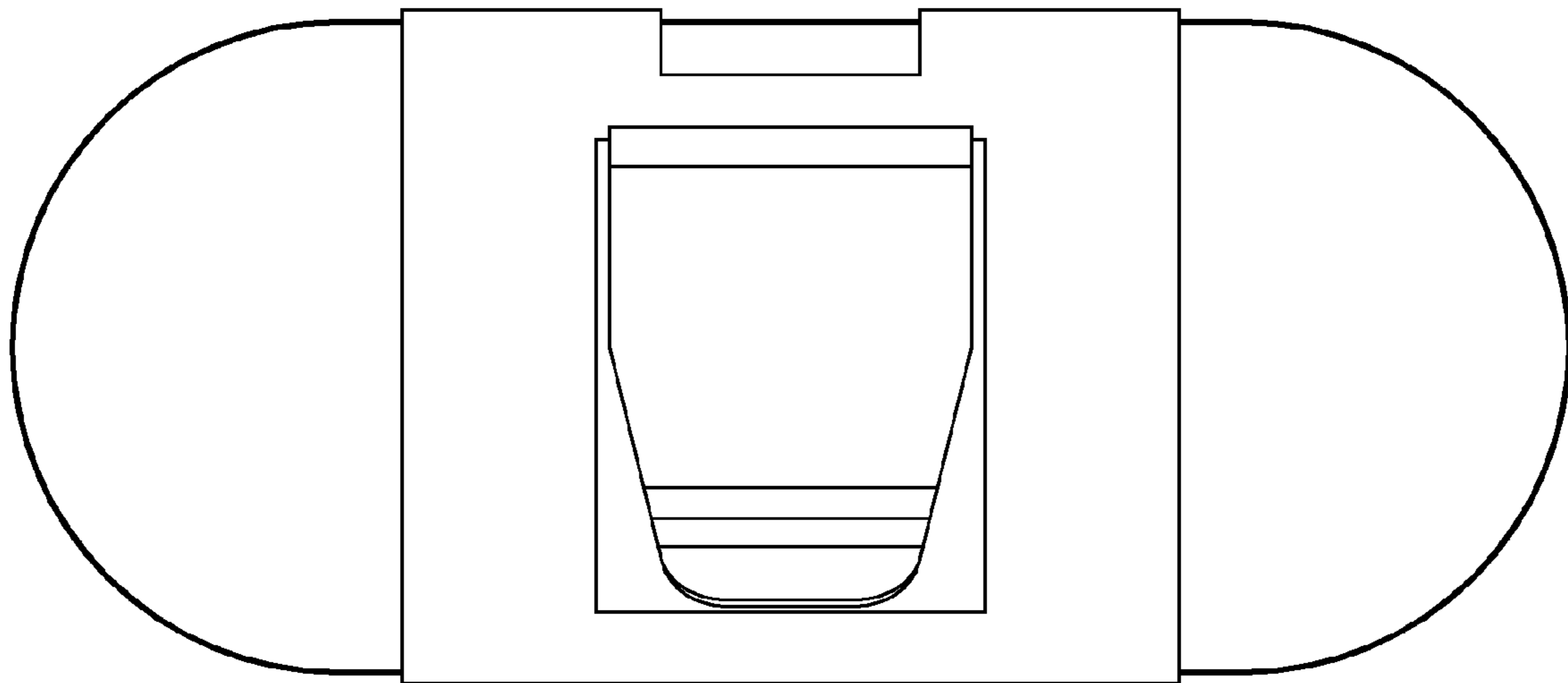


FIG. 3

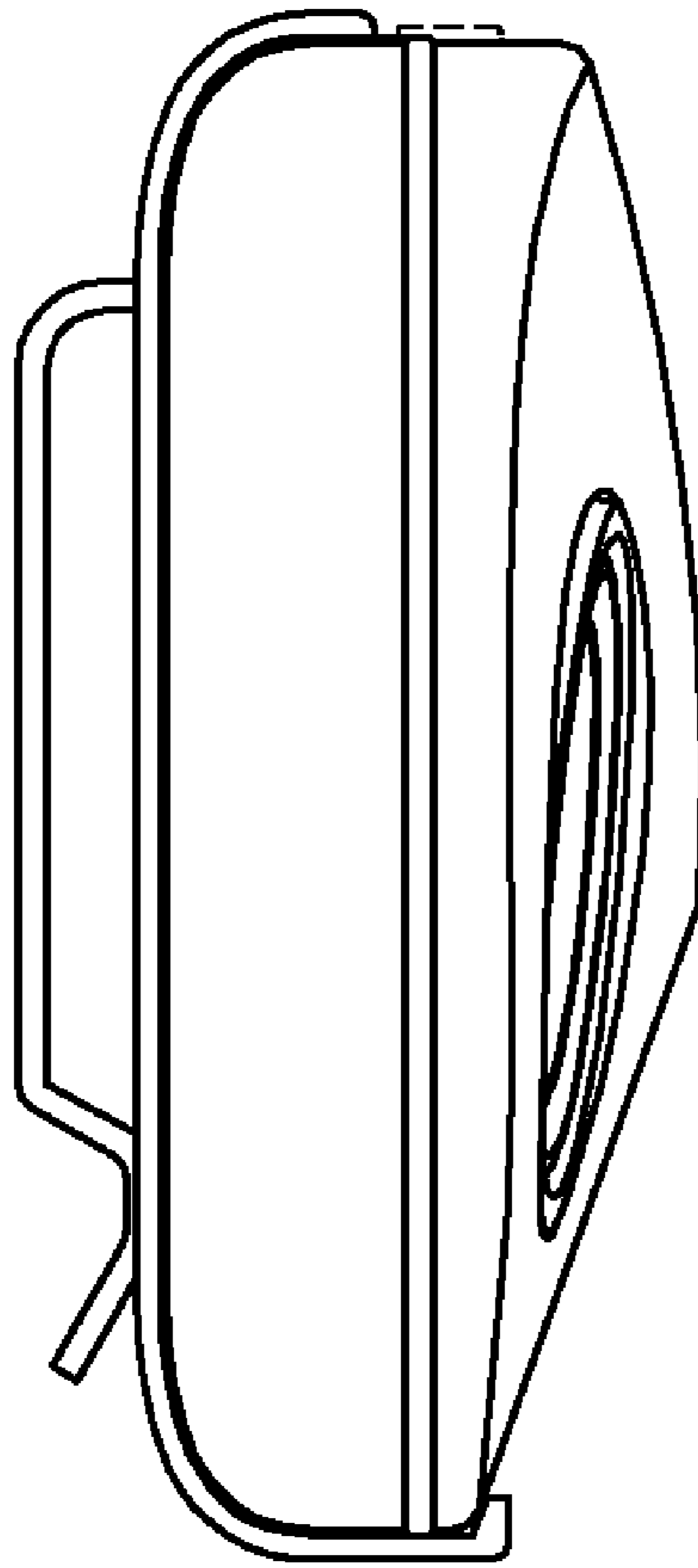


FIG. 4

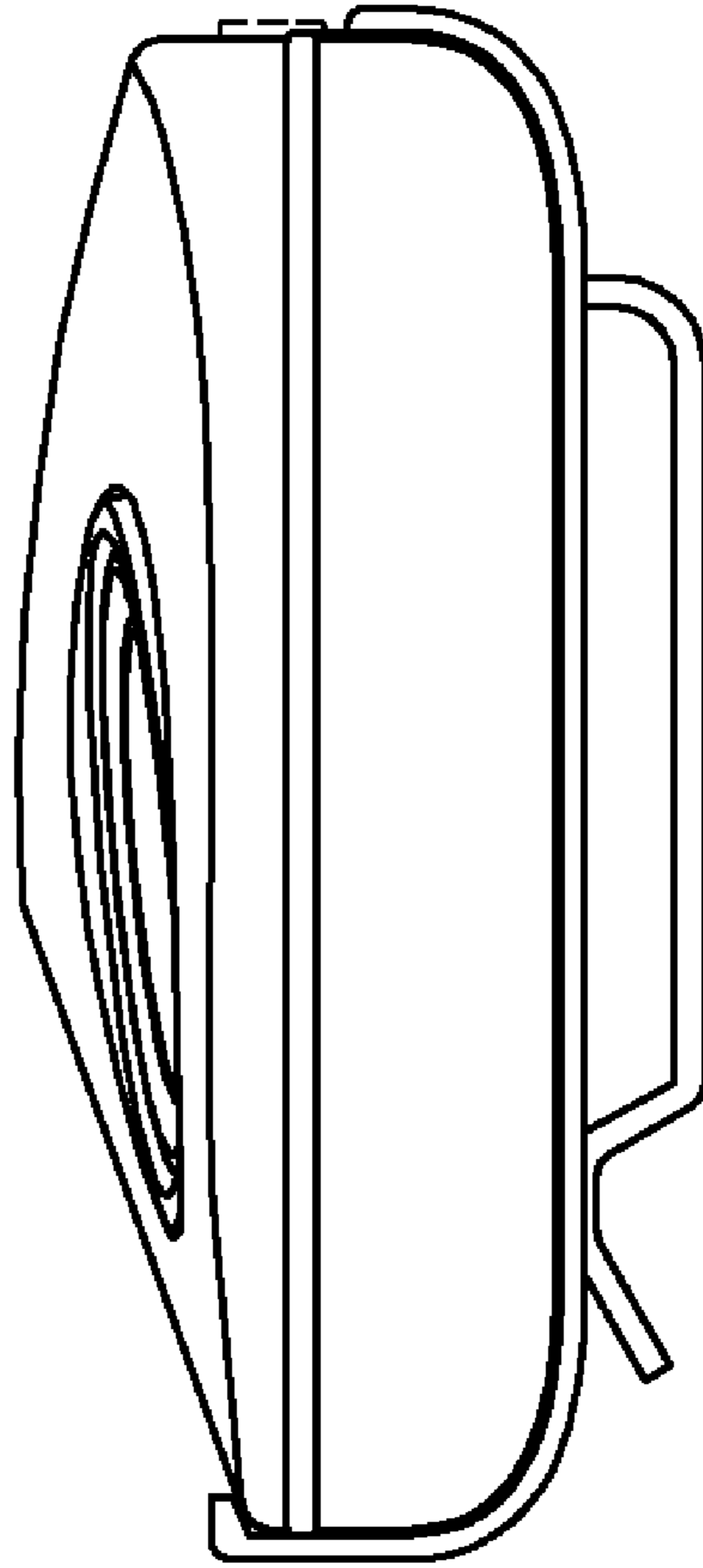


FIG. 5

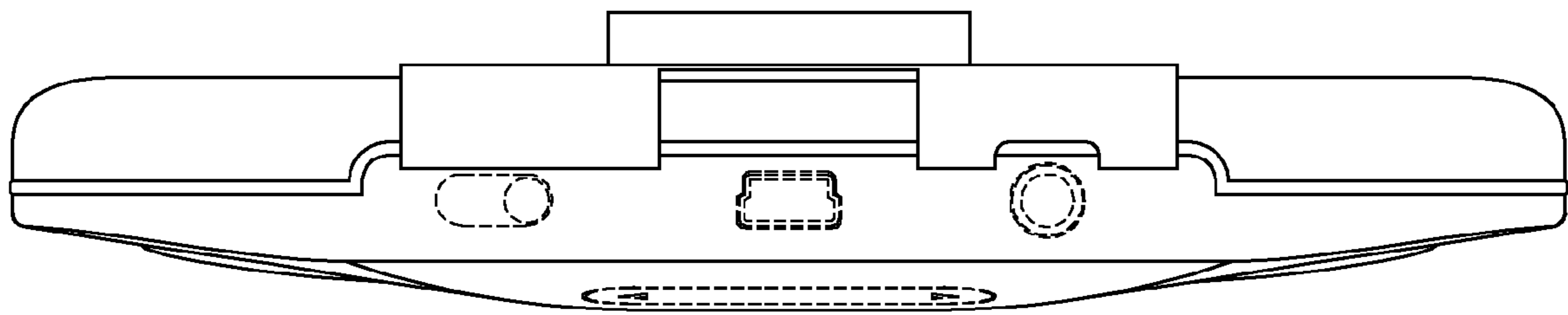


FIG. 6

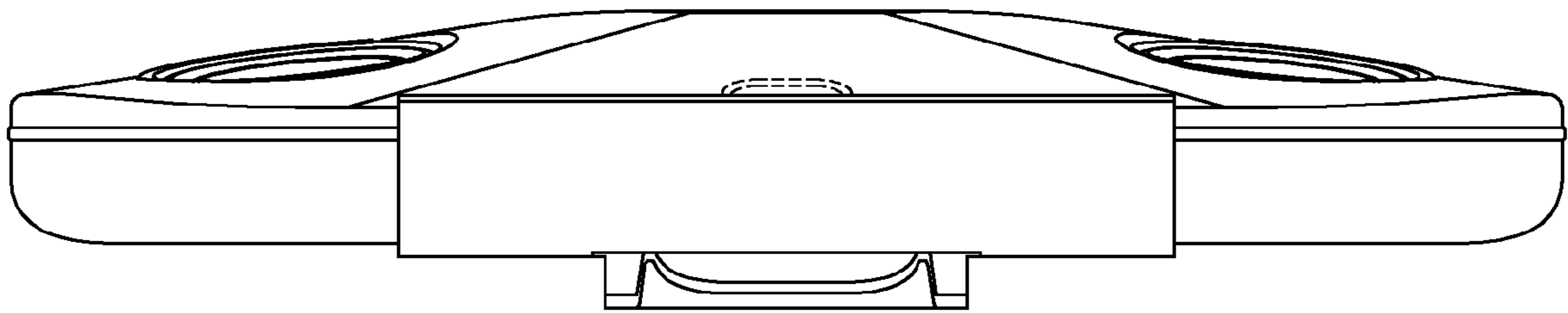


FIG. 7