



US00D622696S

(12) **United States Design Patent**
Akana et al.

(10) **Patent No.:** **US D622,696 S**
(45) **Date of Patent:** **** Aug. 31, 2010**

(54) **ELECTRONIC DEVICE**

FOREIGN PATENT DOCUMENTS

(75) Inventors: **Jody Akana**, San Francisco, CA (US);
Bartley K. Andre, Menlo Park, CA (US);
Jeremy Bataillou, San Francisco, CA (US);
Daniel J. Coster, San Francisco, CA (US);
Daniele De Iuliis, San Francisco, CA (US);
Evans Hankey, San Francisco, CA (US);
Richard P. Howarth, San Francisco, CA (US);
Jonathan P. Ive, San Francisco, CA (US);
Duncan Robert Kerr, San Francisco, CA (US);
Shin Nishibori, Portola Valley, CA (US);
Matthew Dean Rohrbach, San Francisco, CA (US);
Peter Russell-Clarke, San Francisco, CA (US);
Christopher J. Stringer, Woodside, CA (US);
Eugene Antony Whang, San Francisco, CA (US);
Rico Zorkendorfer, San Francisco, CA (US)

CN 200730131203.5 1/2006

(Continued)

OTHER PUBLICATIONS

Saytes Reproductores MP4 Information Sheet, Saytes (online) © 2009, retrieved on Feb. 18, 2008, <URL:http://saytes.es/product_intro.php?products_id=494>, 2 pgs.

(Continued)

Primary Examiner—Prabhakar Deshmukh
(74) *Attorney, Agent, or Firm*—Sterne, Kessler, Goldstein & Fox PLLC

(73) Assignee: **Apple Inc.**, Cupertino, CA (US)

(**) Term: **14 Years**

(21) Appl. No.: **29/343,062**

(22) Filed: **Sep. 4, 2009**

(51) **LOC (9) Cl.** **14-03**

(52) **U.S. Cl.** **D14/203.7; D14/496; D14/203.3**

(58) **Field of Classification Search** D14/496,
D14/401, 435, 474, 483, 217, 137, 138, 160,
D14/168, 356, 203.1–203.8, 507, 144; 345/156,
345/169, 173–179, 905; 715/727–729, 864;
710/1, 5, 8; 713/1, 600; 455/1.1, 1.7, 73,
455/344–347, 93, 95, 3.01–3.06, 550.1, 573.1;
370/342–344; 369/1, 2, 6–12; 463/43–47;
273/148 B; D16/208; 348/207.1, 207.11,
348/207.99, 208.15, 373–376

See application file for complete search history.

(56) **References Cited**

U.S. PATENT DOCUMENTS

2,953,625 A * 9/1960 Hasselhorn 174/60

(Continued)

(57) **CLAIM**

The ornamental design for an electronic device, as shown and described.

DESCRIPTION

FIG. 1 is a bottom front perspective view of an electronic device showing our new design;

FIG. 2 is a bottom rear perspective view thereof;

FIG. 3 is front view thereof;

FIG. 4 is rear view thereof;

FIG. 5 is a top plan view thereof;

FIG. 6 is a left side view thereof;

FIG. 7 is a right side view thereof;

FIG. 8 is bottom plan view thereof;

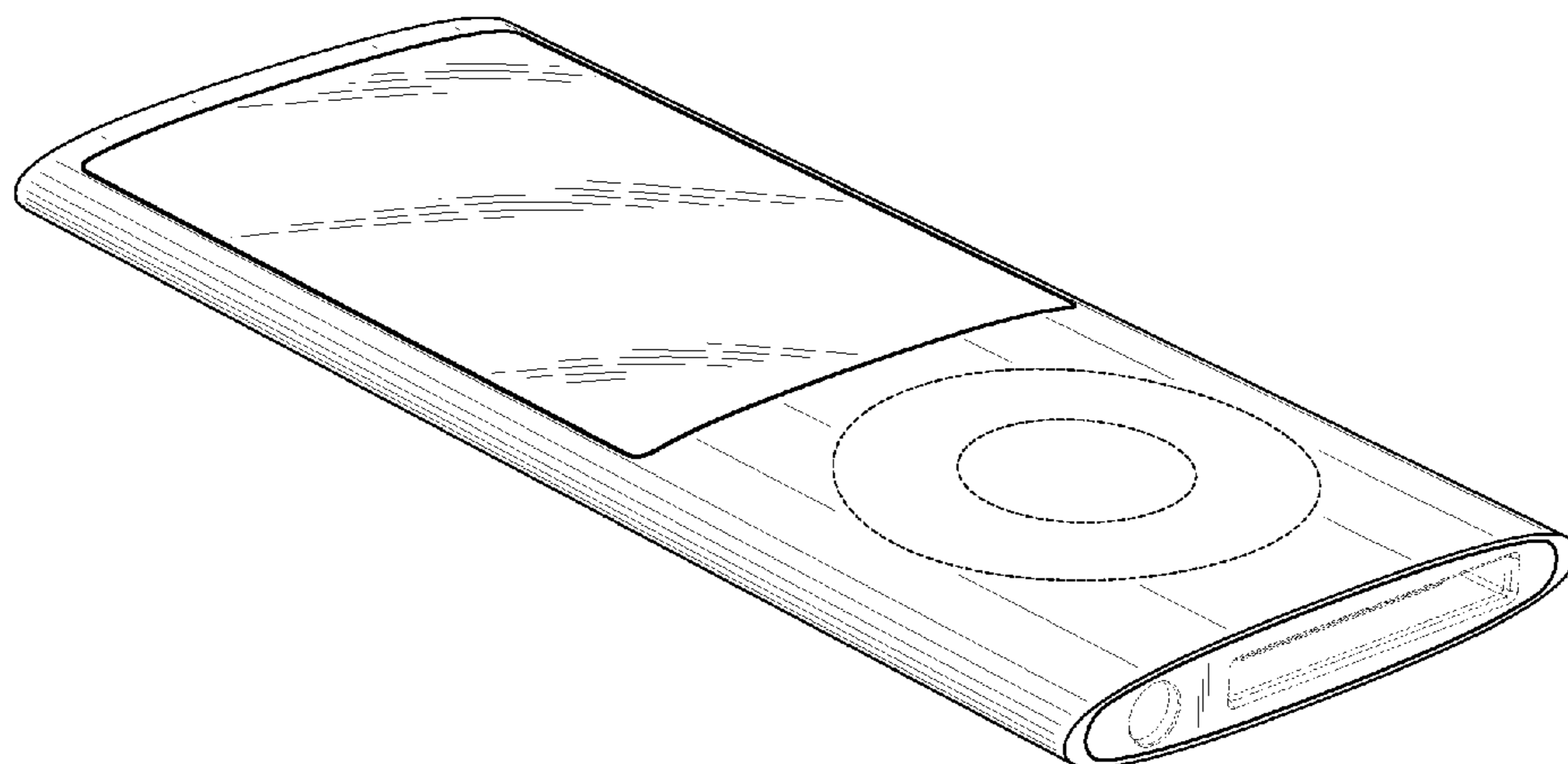
FIG. 9 is a top rear perspective view thereof; and,

FIG. 10 is a top front perspective view thereof.

The shade lines in the Figures show contour and not surface ornamentation.

The broken lines in the figures are for the purpose of illustrating portions of the electronic device which form no part of the claimed design.

1 Claim, 5 Drawing Sheets



US D622,696 S

Page 2

U.S. PATENT DOCUMENTS

D306,519 S 3/1990 Nakata
6,092,694 A * 7/2000 Sadow 222/78
6,122,526 A 9/2000 Parulski et al.
D432,523 S 10/2000 Grinkus et al.
D438,525 S * 3/2001 Katayama D14/203.7
D446,499 S 8/2001 Andre et al.
D469,109 S 1/2003 Andre et al.
D486,489 S * 2/2004 Roberts D14/399
D489,052 S 4/2004 Shiraki et al.
D497,618 S 10/2004 Andre et al.
D503,409 S 3/2005 Wong et al.
D506,476 S 6/2005 Andre et al.
D507,277 S * 7/2005 Sitoh D14/203.7
D510,584 S * 10/2005 Tierney D14/203.6
D514,121 S 1/2006 Johnson
D516,576 S 3/2006 Ive et al.
D516,579 S 3/2006 Nakamura
7,013,164 B2 * 3/2006 Lin 455/557
D520,519 S * 5/2006 Chin et al. D14/203.3
D525,987 S * 8/2006 Kim D14/203.2
D536,347 S * 2/2007 Izzo et al. D14/203.7
D538,820 S 3/2007 Andre et al.
D539,814 S 4/2007 Andre et al.
7,230,822 B2 * 6/2007 Langberg et al. 361/679.23
D547,349 S 7/2007 Sakaguchi et al.

D548,744 S 8/2007 Andre et al.
D550,714 S 9/2007 Ferraboshi
D556,196 S * 11/2007 Cheng D14/356
D567,819 S 4/2008 Devericks et al.
D568,338 S 5/2008 Andre et al.
D570,871 S 6/2008 Niizawa et al.
D570,876 S 6/2008 Lee
D574,014 S 7/2008 Dai
D586,740 S 2/2009 Song
D590,826 S 4/2009 Andre et al.
D591,766 S 5/2009 Andre et al.
D593,994 S 6/2009 Andre et al.
D604,713 S 11/2009 Andre et al.
D604,714 S 11/2009 Andre et al.
D611,465 S * 3/2010 Corley et al. D14/248

FOREIGN PATENT DOCUMENTS

CN 3513646D 3/2006
CN 3543434D 7/2006

OTHER PUBLICATIONS

U.S. Appl. No. 29/324,261, Andre et al., Electronic Device, filed Sep. 9, 2008.
U.S. Appl. No. 29/350,739, Andre et al., Electronic Device, filed Nov. 23, 2009.

* cited by examiner

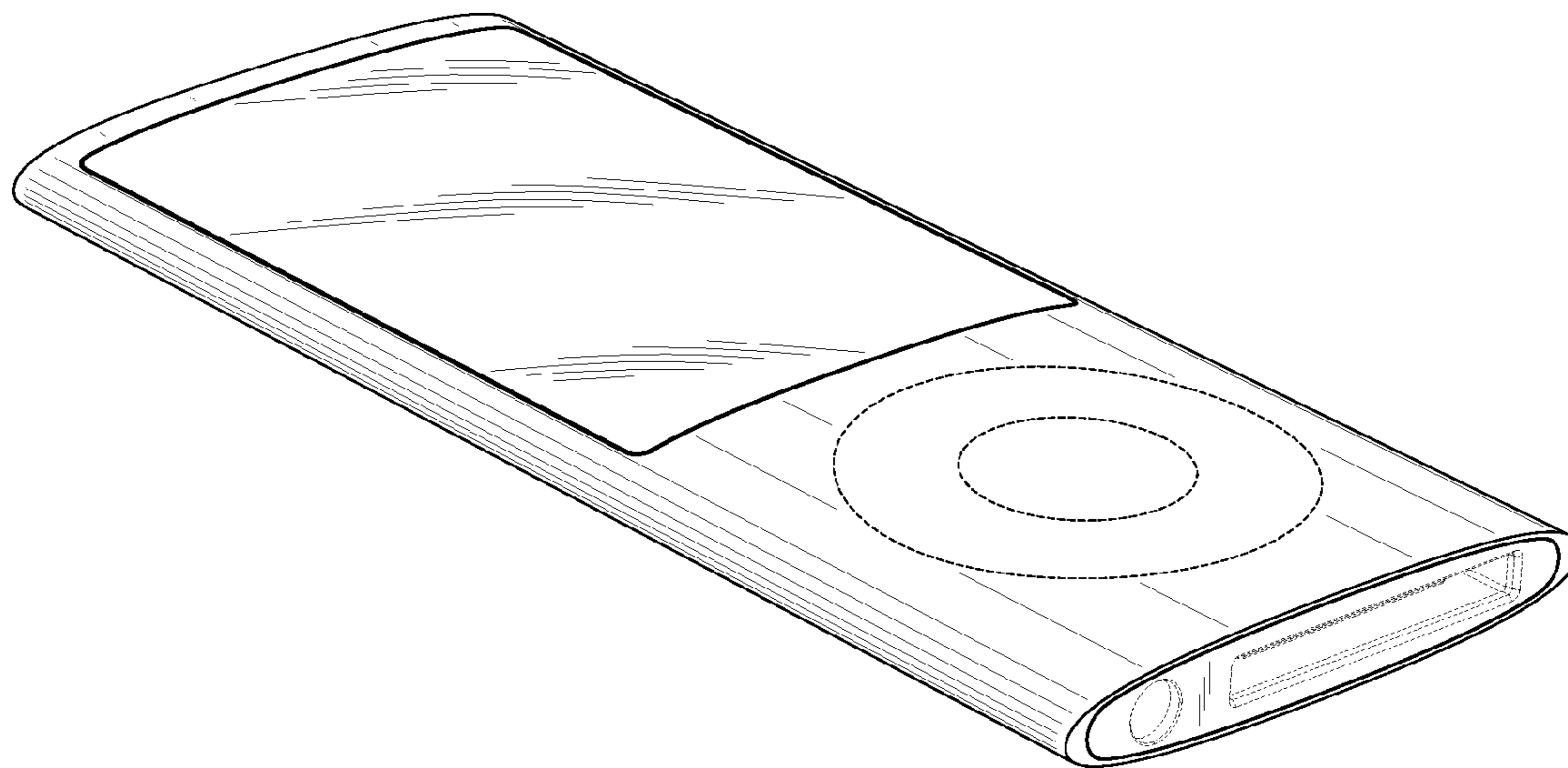


FIG. 1

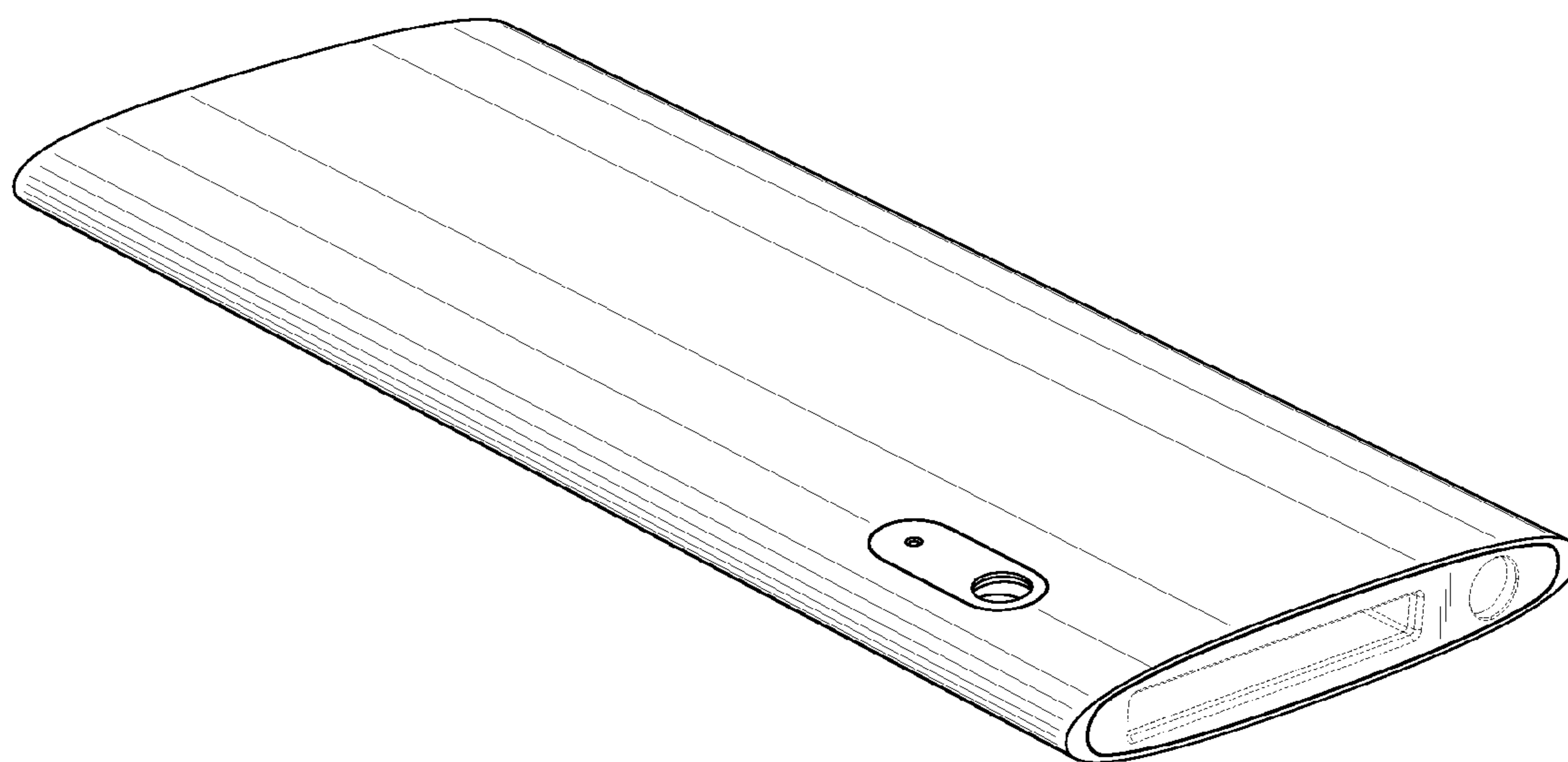


FIG. 2

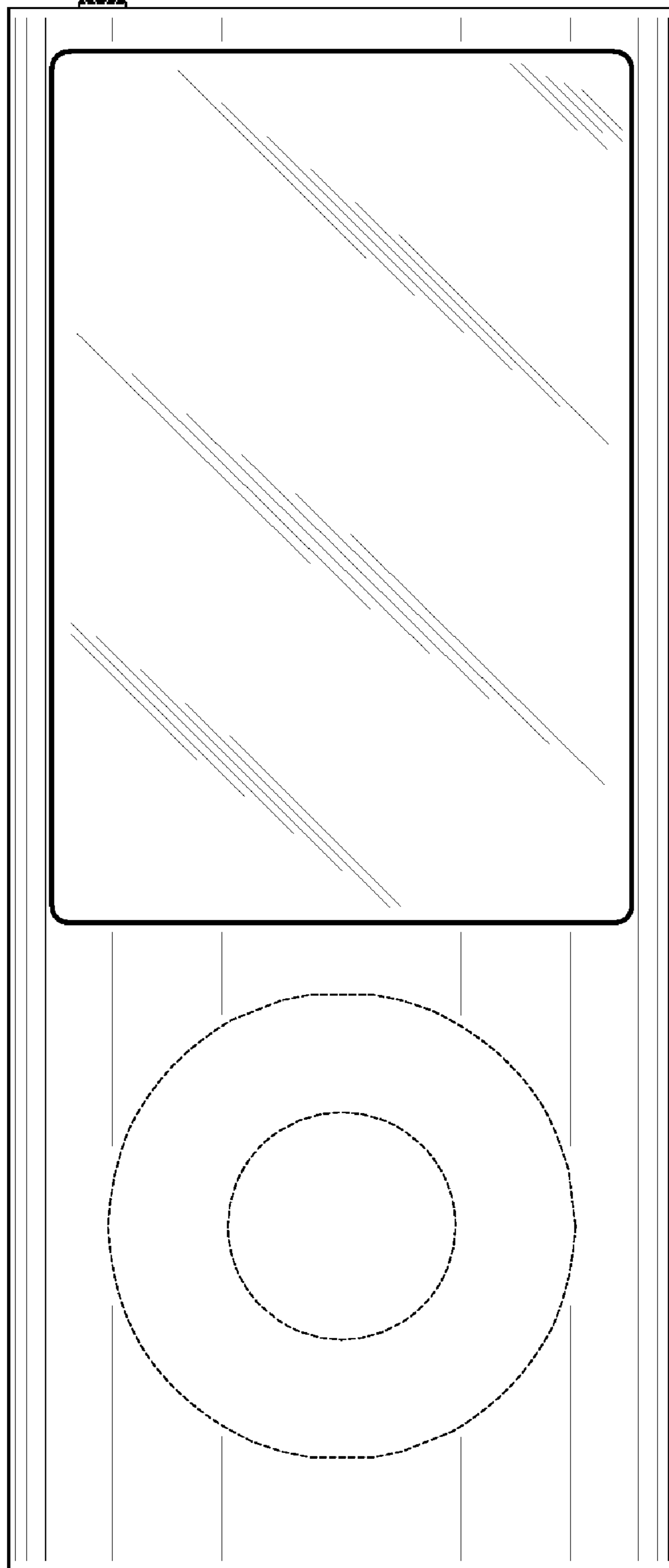


FIG. 3

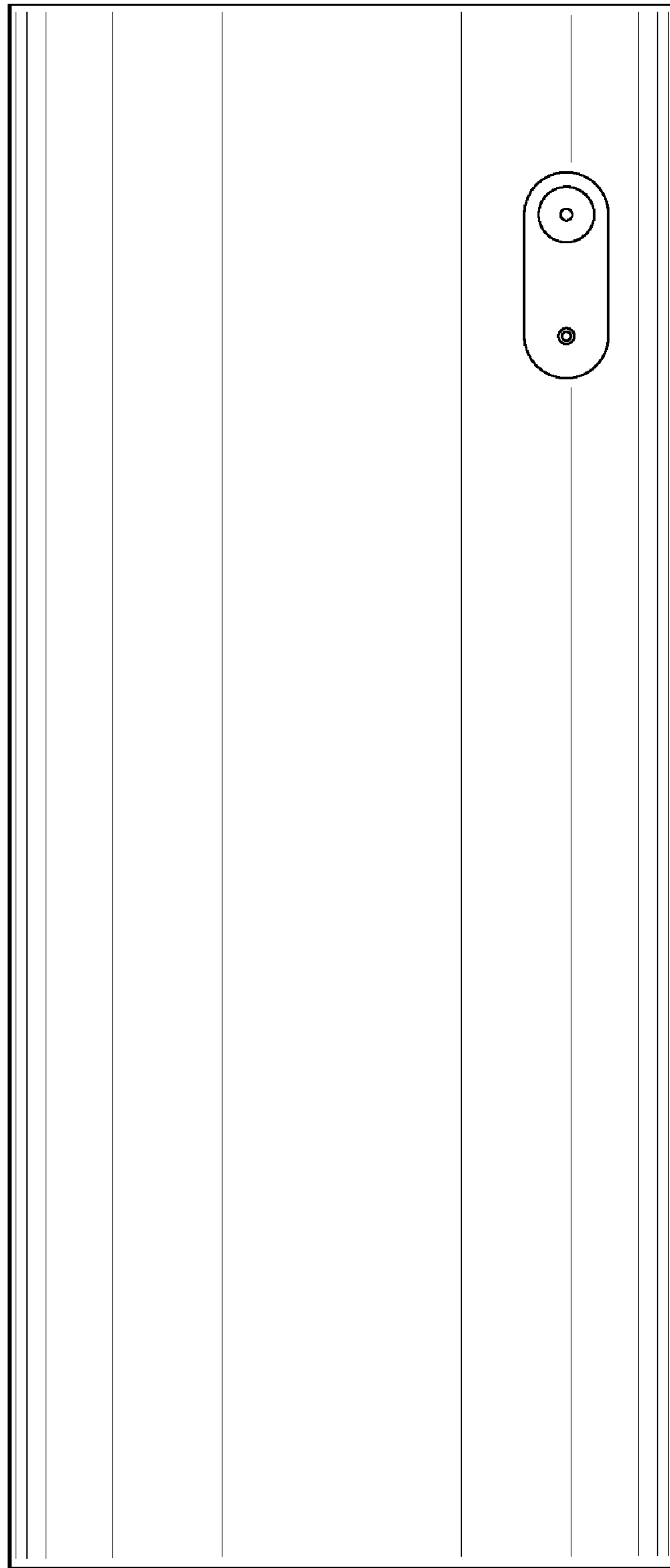


FIG. 4

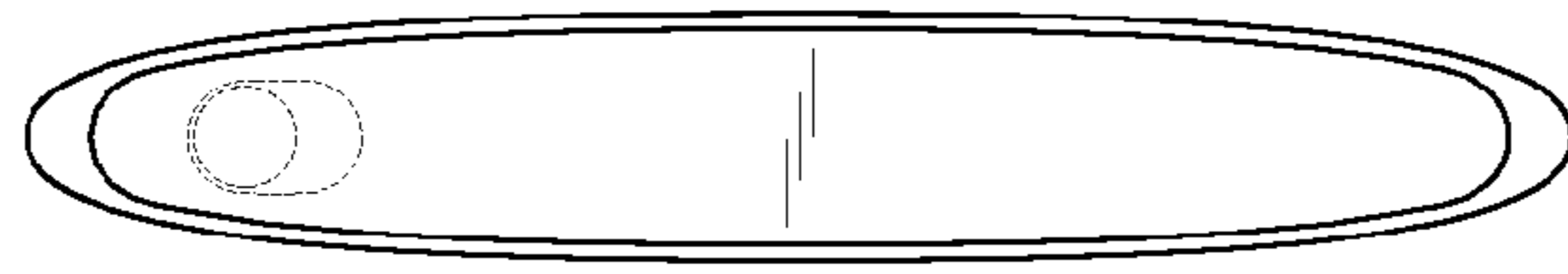


FIG. 5

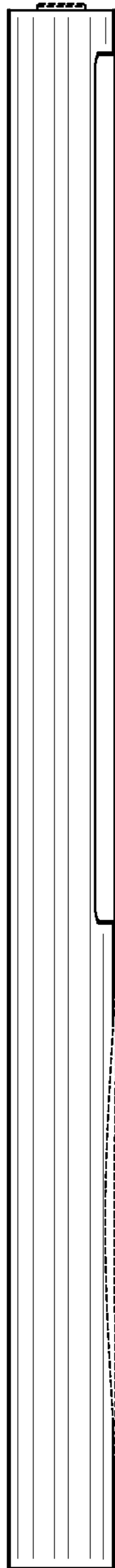


FIG. 6

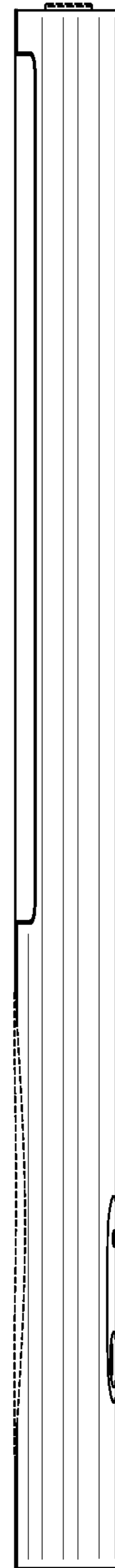


FIG. 7

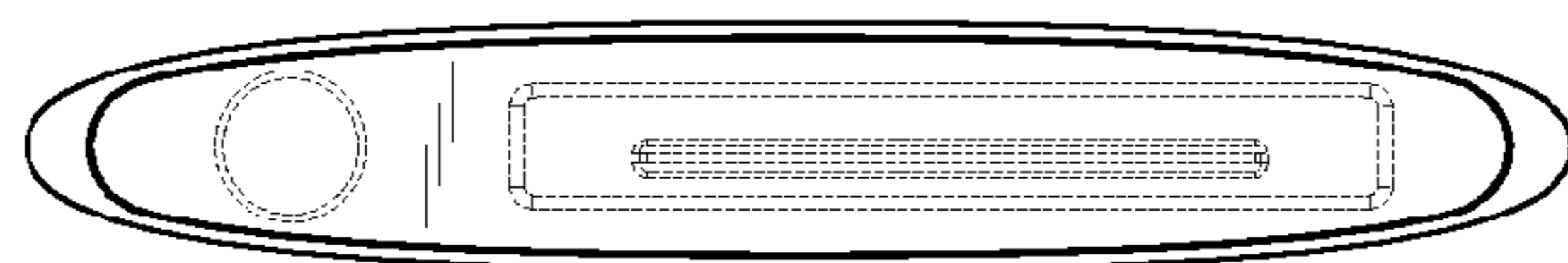


FIG. 8

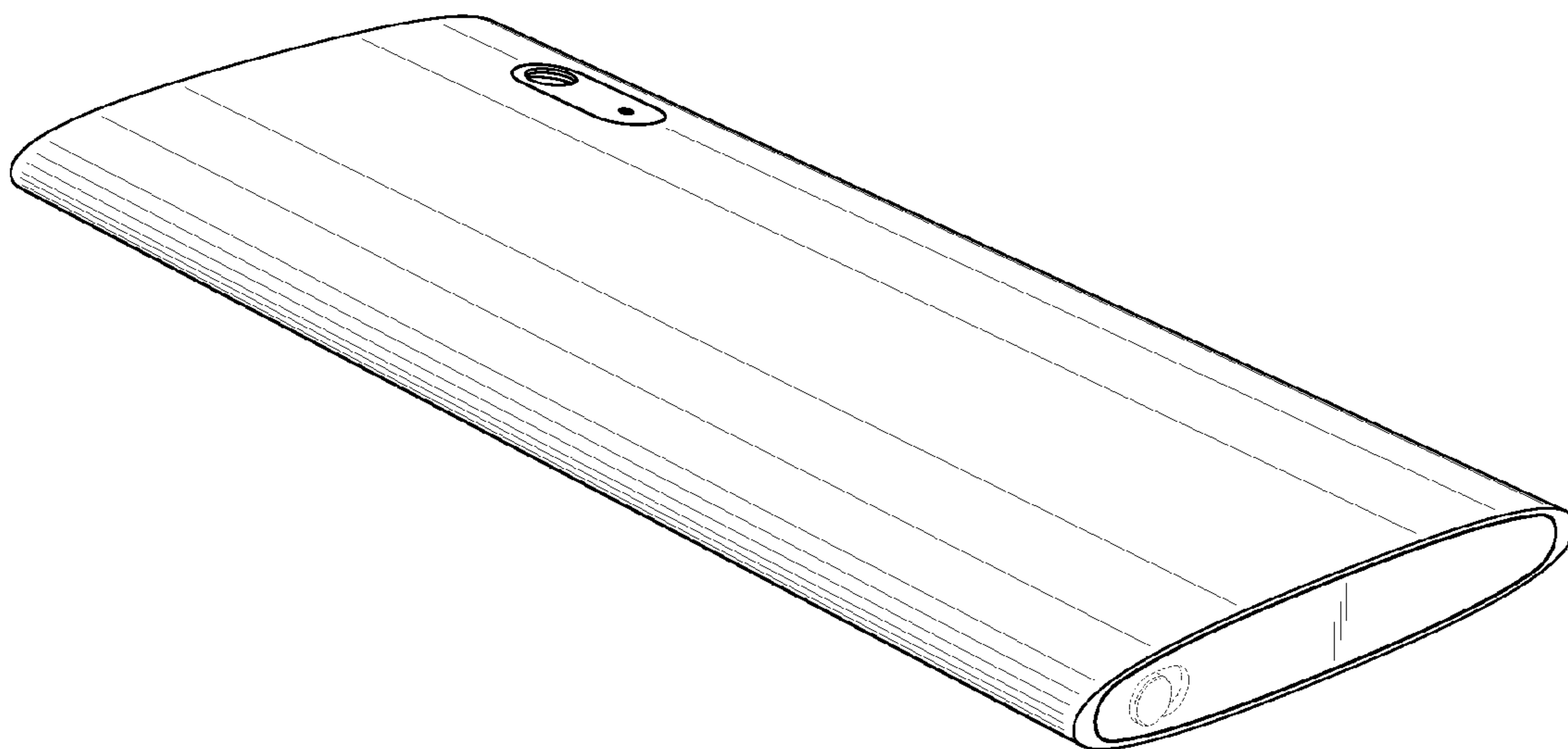


FIG. 9

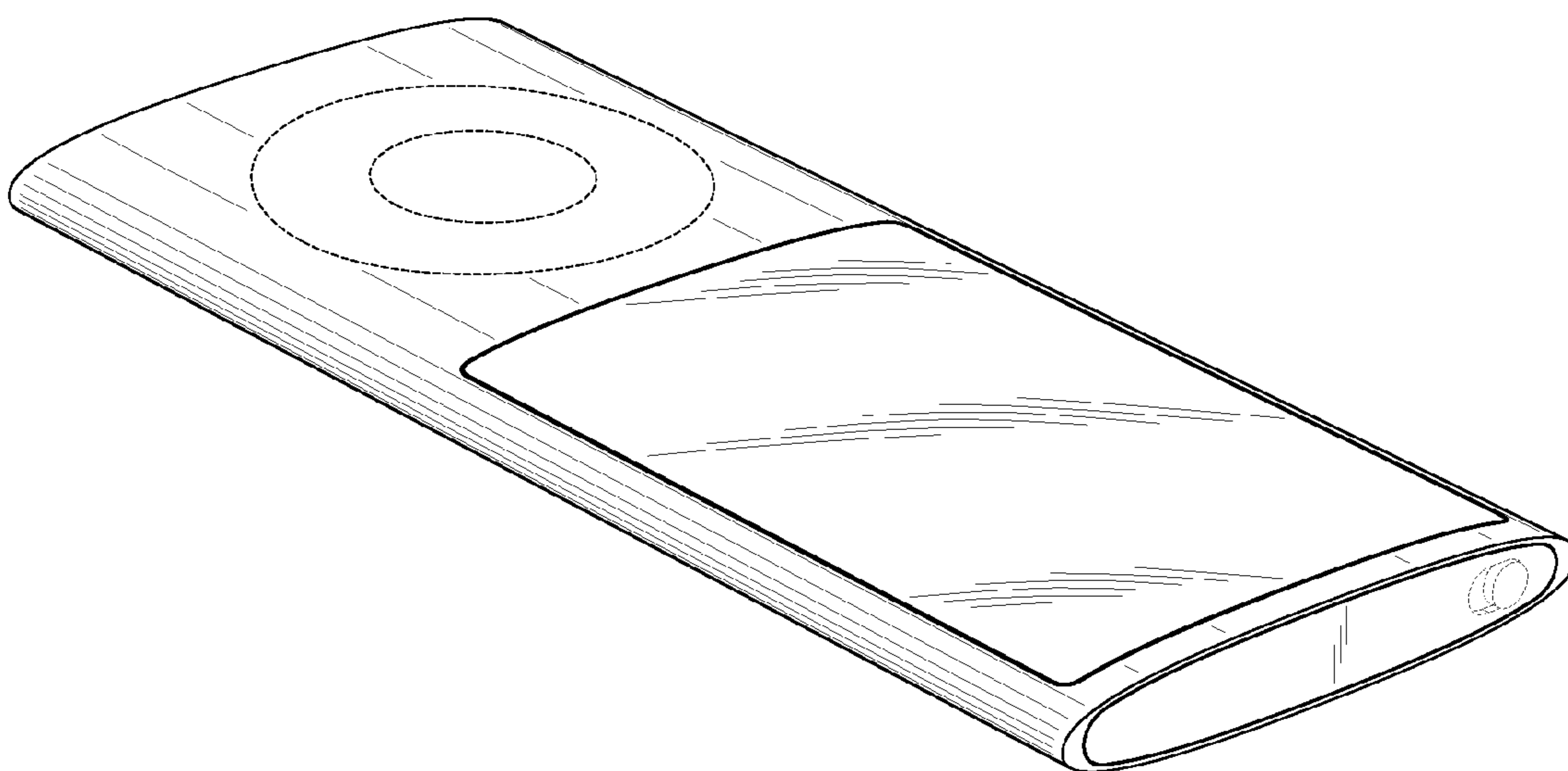


FIG. 10