



US00D622694S

(12) **United States Design Patent**
Lascelles

(10) **Patent No.:** **US D622,694 S**
(45) **Date of Patent:** **** Aug. 31, 2010**

(54) **EAR BIBLE**

(75) Inventor: **Christopher Thomas Sherman**
Lascelles, 16250 CR 440, Lindale, TX
(US) 75771

(73) Assignee: **Christopher Thomas Sherman**
Lascelles, Lindale, TX (US)

(**) Term: **14 Years**

(21) Appl. No.: **29/322,017**

(22) Filed: **Jul. 28, 2008**

(51) **LOC (9) Cl.** **14-03**

(52) **U.S. Cl.** **D14/203.3; D14/223**

(58) **Field of Classification Search** D14/205,
D14/206, 223, 192, 188, 168, 203.1, 203.3-203.5,
D14/496; 181/129, 130; 379/430, 433.01,
379/420.01, 420.02, 420.03, 420.04; 381/380,
381/381, 370; D24/174; 455/347, 351, 575.2
See application file for complete search history.

(56) **References Cited**

U.S. PATENT DOCUMENTS

D295,173 S * 4/1988 Oren D14/168
D482,022 S * 11/2003 Nakano D14/223
6,728,388 B1 * 4/2004 Nageno et al. 381/381
6,772,853 B2 * 8/2004 Yang 181/129

D505,415 S * 5/2005 Han et al. D14/223
D510,575 S * 10/2005 Leong D14/223
D542,282 S * 5/2007 Yoshiyama D14/223
D543,972 S * 6/2007 Taylor D14/223
D559,837 S * 1/2008 Nakano D14/223
7,356,362 B2 * 4/2008 Chang et al. 455/575.2
7,391,862 B2 * 6/2008 Rath et al. 379/430
D575,278 S * 8/2008 Guccione et al. D14/223
D584,293 S * 1/2009 Kim et al. D14/223
D598,469 S * 8/2009 Harris, Jr. D14/496

* cited by examiner

Primary Examiner—Paula Greene

(57) **CLAIM**

The ornamental design for the ear bible, as shown and described.

DESCRIPTION

FIG. 1 is a perspective view of the ear bible showing my new design;

FIG. 2 is a front elevational view of the ear bible;

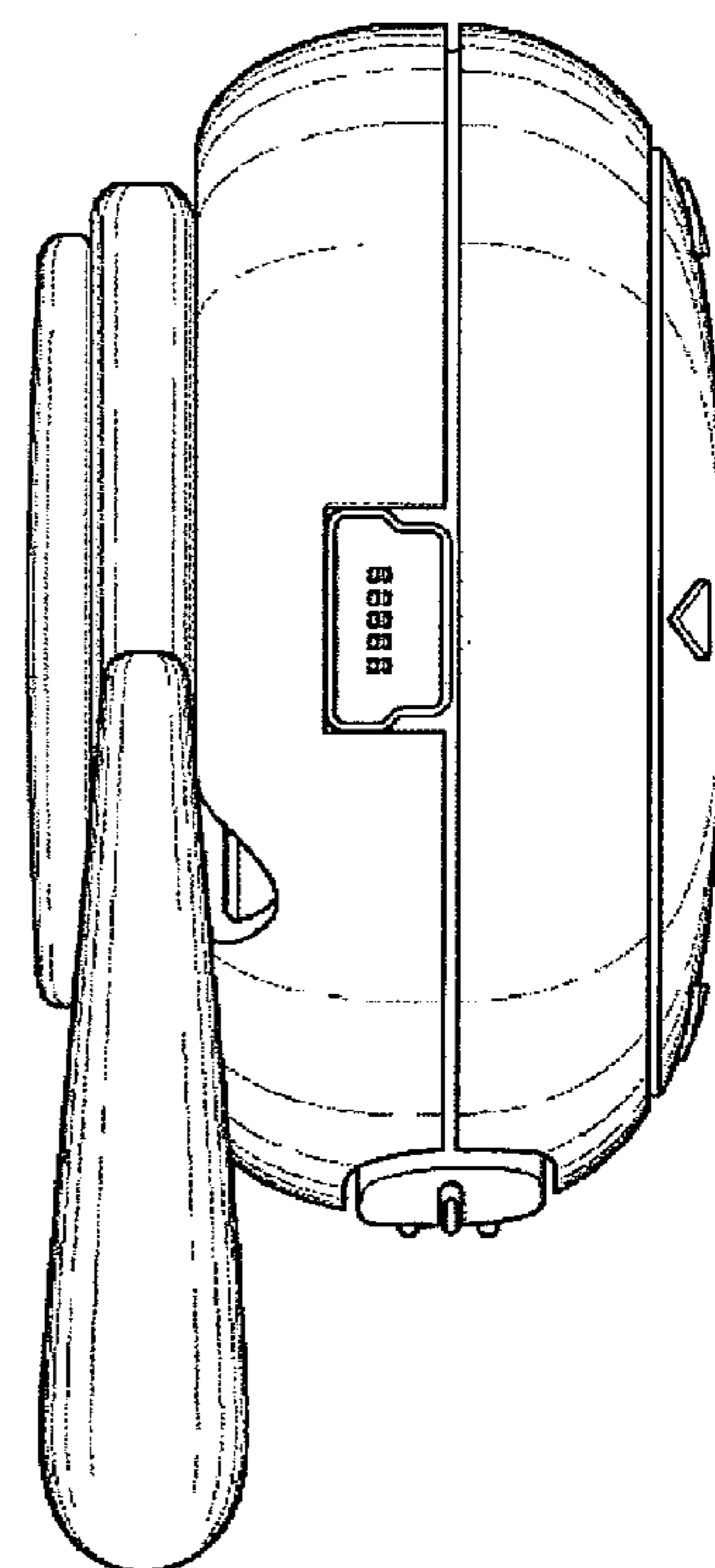
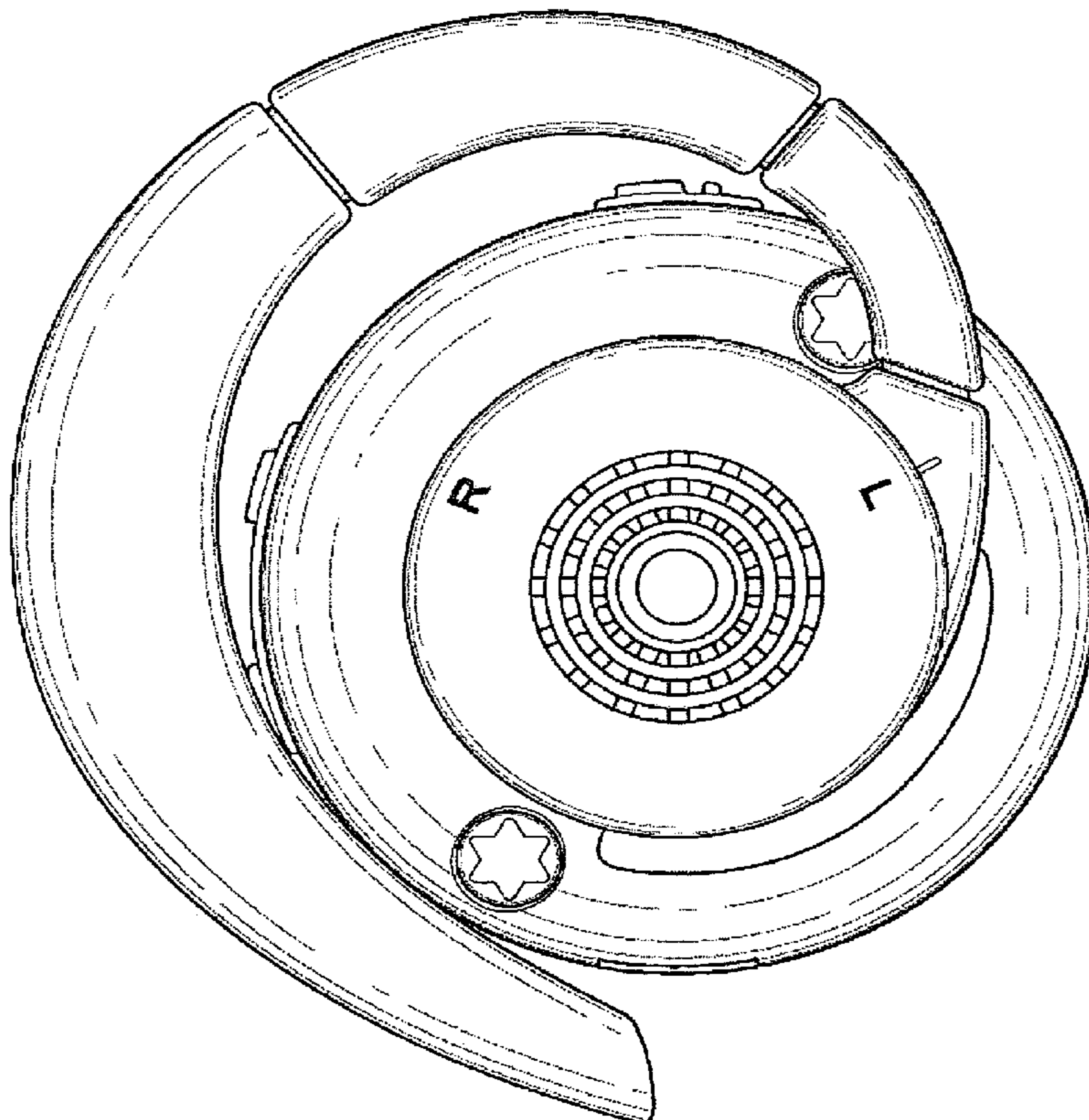
FIG. 3 is a rear elevational view of the ear bible;

FIG. 4 is a left-side elevational view of the ear bible;

FIG. 5 is a right-side elevational view of the ear bible; and,

FIG. 6 is a top view of the ear bible.

1 Claim, 6 Drawing Sheets



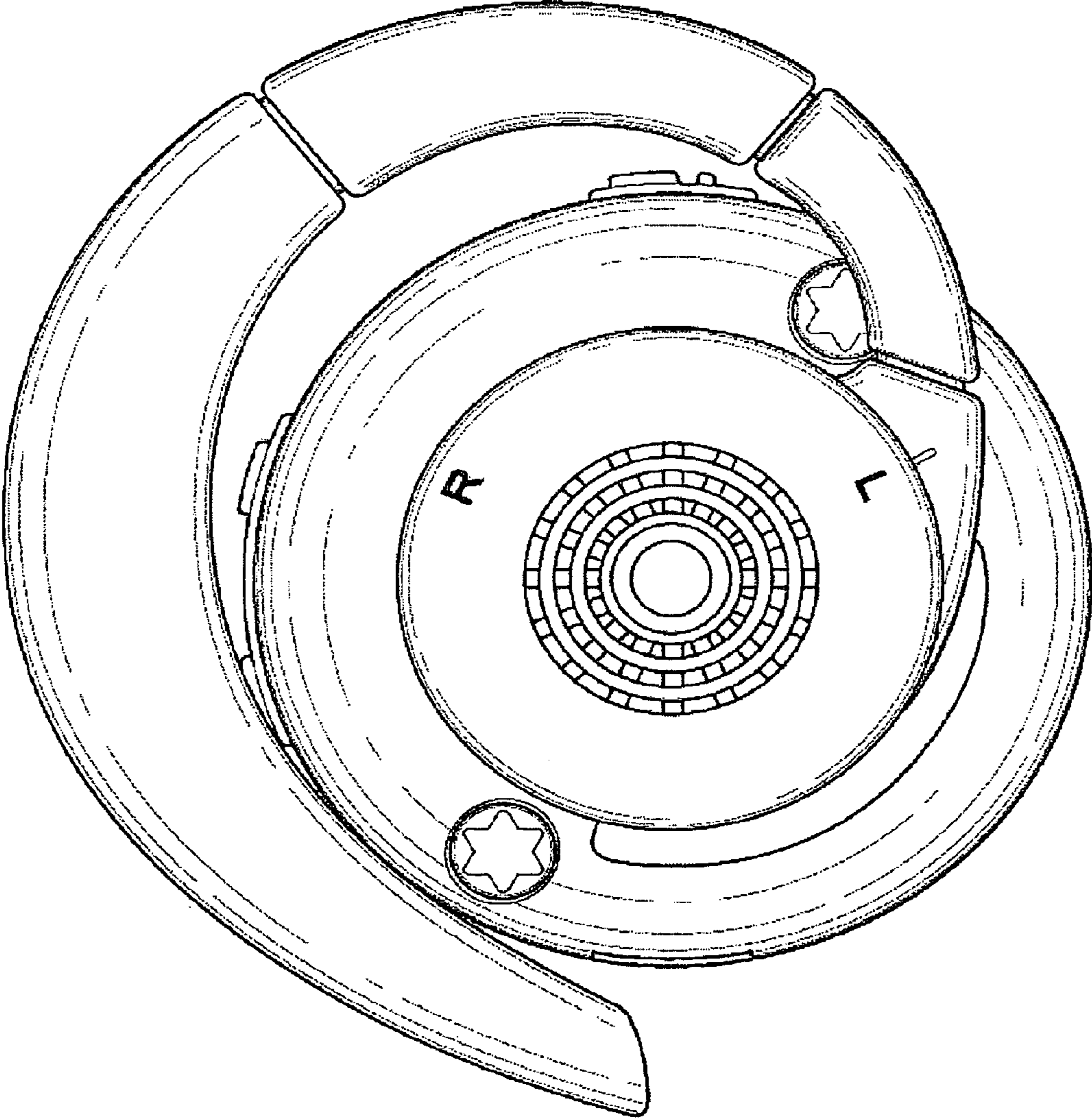


Fig. 1

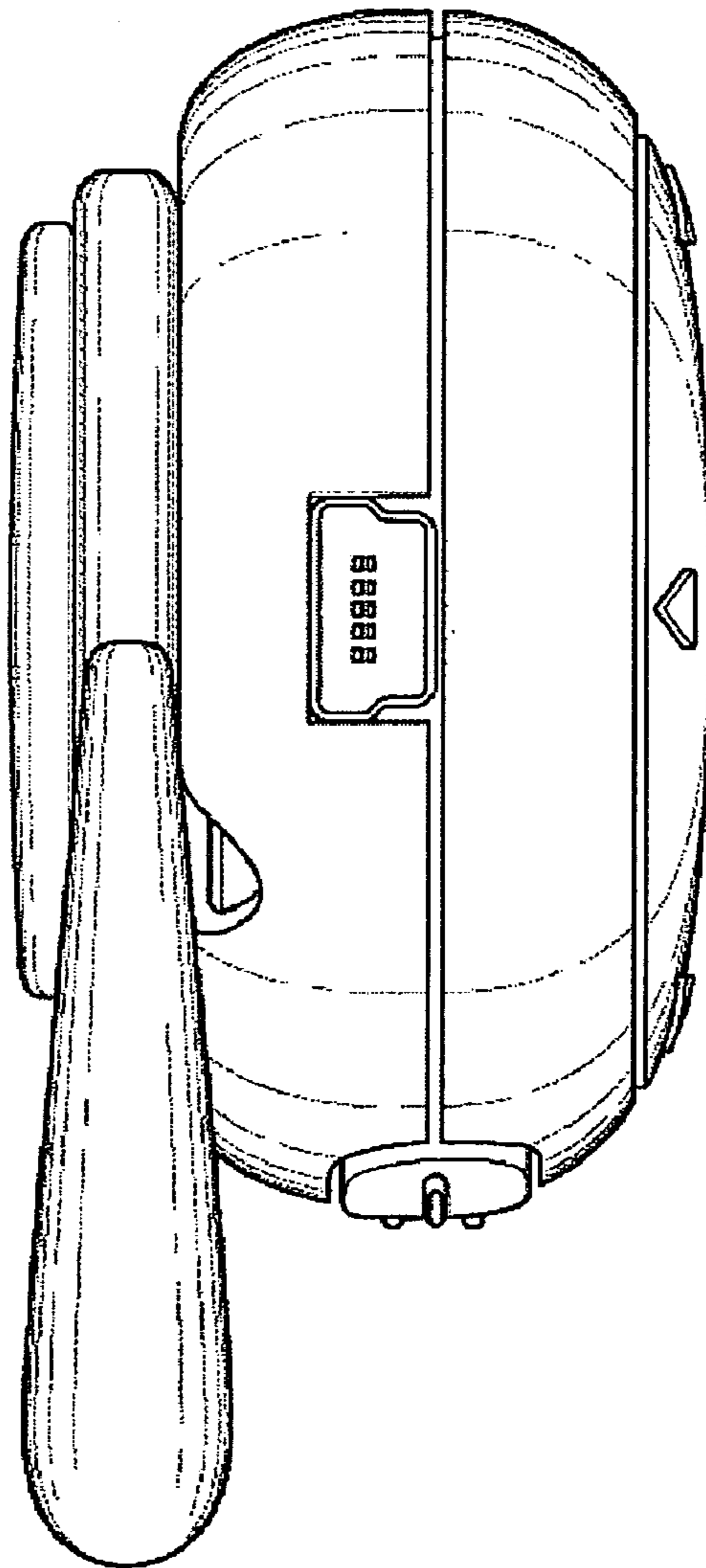


Fig. 2

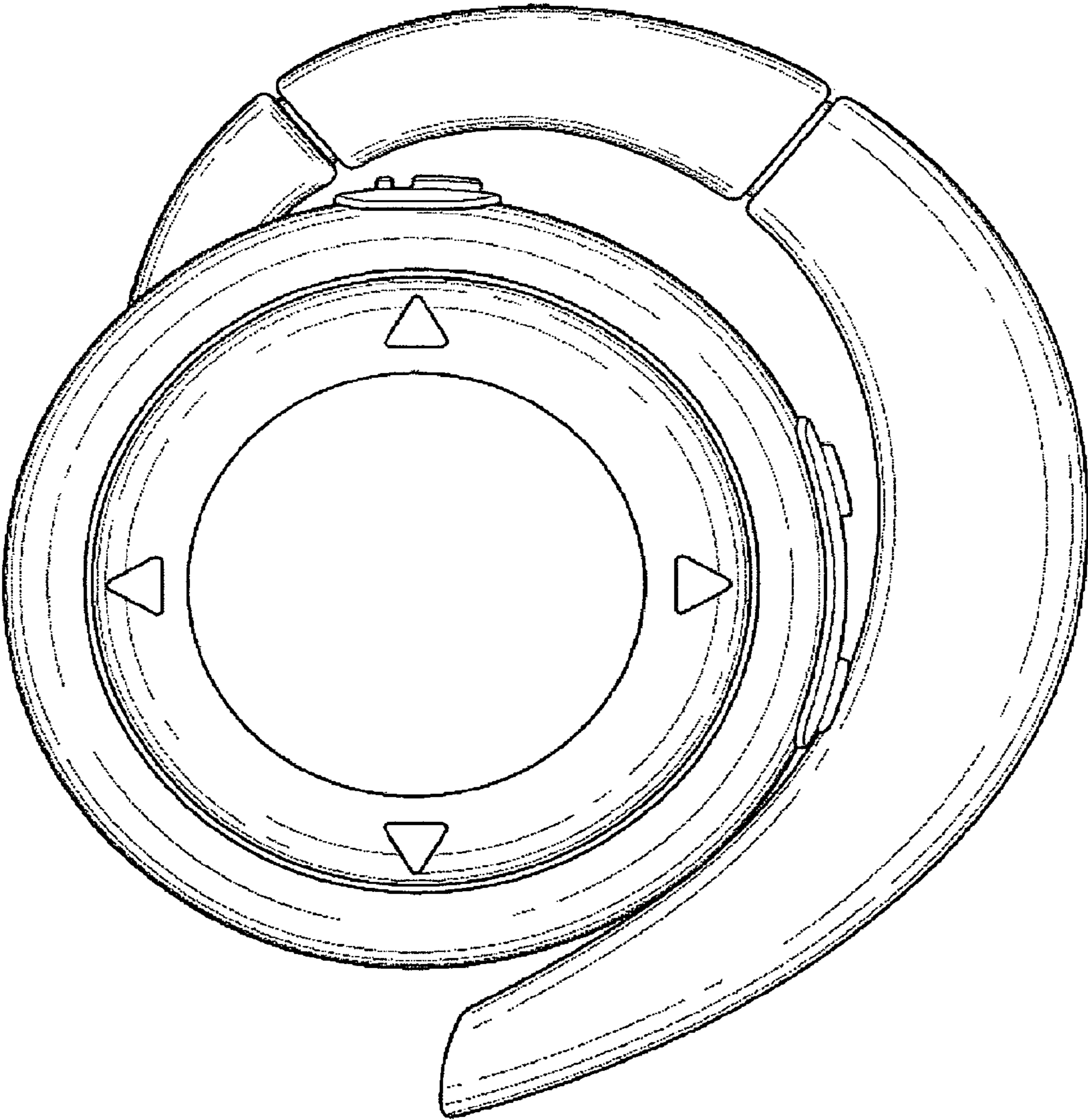


Fig. 3

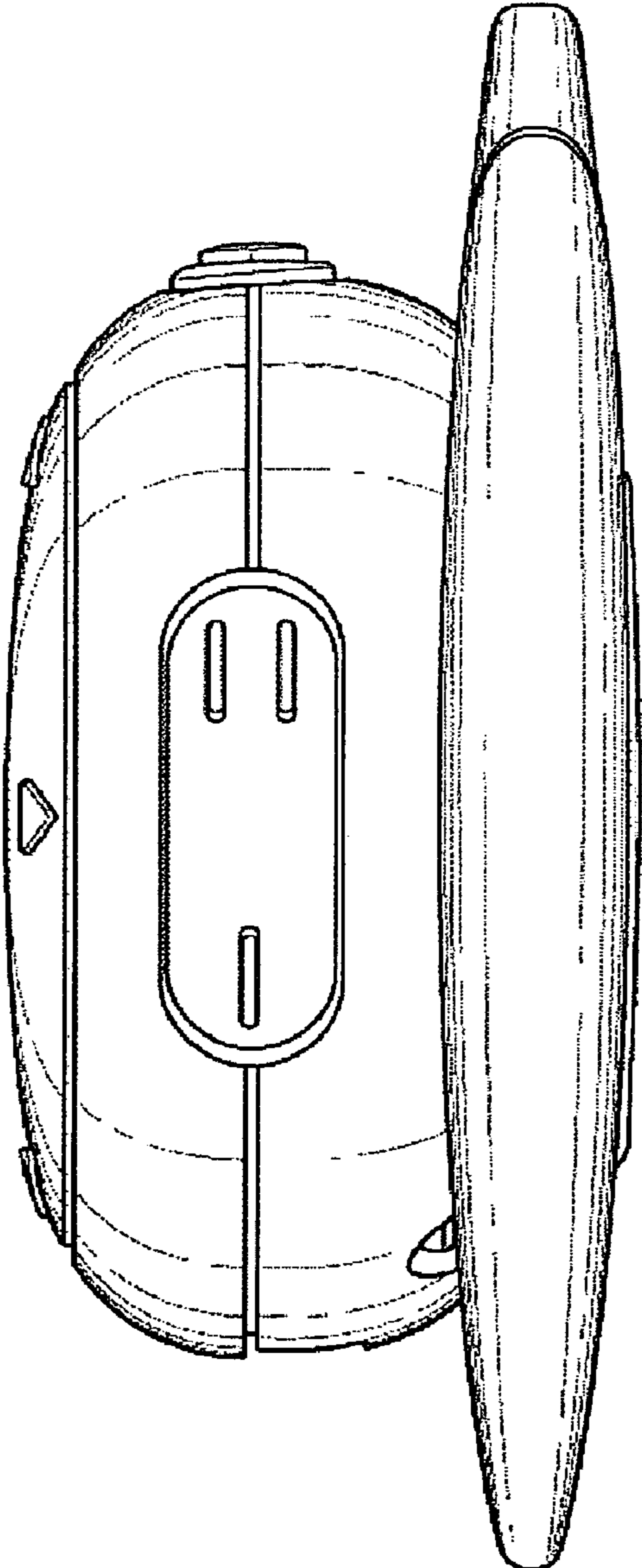


Fig. 4

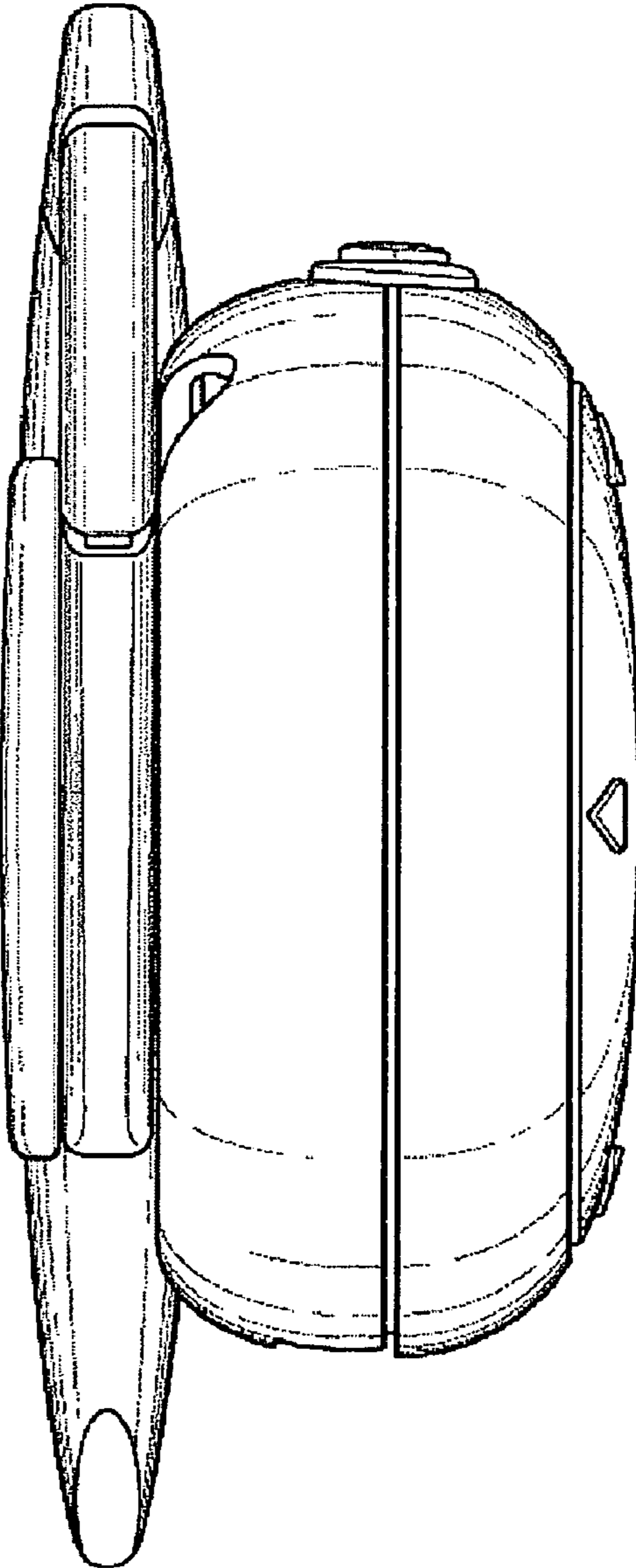


Fig. 5

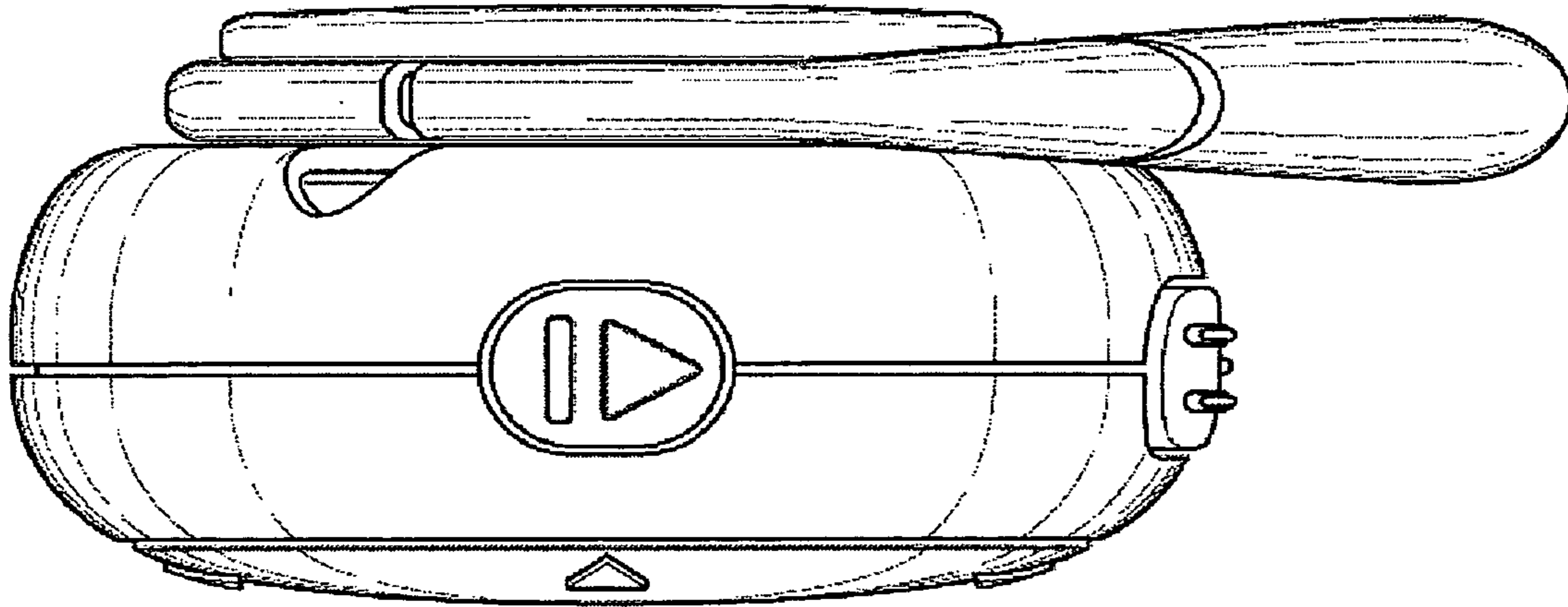


Fig. 6