



US00D622685S

(12) **United States Design Patent**
Garra et al.

(10) **Patent No.:** **US D622,685 S**

(45) **Date of Patent:** **** Aug. 31, 2010**

(54) **COMMUNICATION DEVICE**

D593,527 S * 6/2009 Wang et al. D14/138 G

(75) Inventors: **LanTing L. Garra**, Sunrise, FL (US);
Craig F Siddoway, Davie, FL (US)

(Continued)

(73) Assignee: **Motorola, Inc.**, Schaumburg, IL (US)

(**) Term: **14 Years**

(21) Appl. No.: **29/350,630**

(22) Filed: **Nov. 20, 2009**

(51) **LOC (9) Cl.** **14-03**

(52) **U.S. Cl.** **D14/137**

(58) **Field of Classification Search** D14/138 R,
D14/138 AD, 138 AC, 138 C, 138 G, 191,
D14/203.1–203.8, 496, 138 AA, 138 AB,
D14/247–248, 137, 147, 218, 341–347; D10/65,
D10/78, 104; D13/168; D18/7; 455/566,
455/575.1, 575.3

See application file for complete search history.

(56) **References Cited**

U.S. PATENT DOCUMENTS

D326,451 S	*	5/1992	Roegner	D14/138 AD
D420,301 S	*	2/2000	Henderson	D10/104
D483,281 S	*	12/2003	Cobigo	D10/104
D487,065 S	*	2/2004	Murray	D13/168
D498,219 S	*	11/2004	Hamann	D14/138 AA
D507,254 S	*	7/2005	Chen	D14/138 AB
D508,028 S	*	8/2005	Deubler, Jr.	D14/138 R
D510,584 S	*	10/2005	Tierney	D14/203.6
D541,783 S	*	5/2007	Lee	D14/138 AA
D548,749 S	*	8/2007	Schmidt et al.	D14/496
D552,184 S	*	10/2007	Hussaini et al.	D21/333
D557,240 S	*	12/2007	Lee	D14/138 AB
D561,703 S	*	2/2008	Shimokawa et al.	D13/168
D561,724 S	*	2/2008	Kim et al.	D14/138 AD
D562,778 S	*	2/2008	Bonnaud	D13/168
D567,783 S	*	4/2008	Lee et al.	D14/138 AB
D571,305 S	*	6/2008	Thursfield	D13/168
D590,804 S	*	4/2009	Tkachuk	D14/138 AD

OTHER PUBLICATIONS

Motorola V80, announced 4th quarter 2003, [online], [retrieved on Feb. 16, 2007]. Retrieved from Internet ,<URL: http://www.gsmarena.com>.*

Motorola Aura, announced Oct. 2008, [online], [retrieved on Nov. 8, 2008]. Retrieved from Internet ,<URL: http://www.gsmarena.com>.*

Samsung M7600 Beat DJ, announced Feb. 2009, [online], [retrieved on Feb. 20, 2009]. Retrieved from Internet ,<URL: http://www.gsmarena.com>.*

Primary Examiner—Jeffrey D Asch

Assistant Examiner—Bridget L Eland

(74) *Attorney, Agent, or Firm*—Barbara R. Doutre

(57) **CLAIM**

The ornamental design for a communication device, as shown and described.

DESCRIPTION

FIG. 1 is a front perspective view of an ornamental design for a communication device;

FIG. 2 is a rear perspective view thereof;

FIG. 3 is a front view thereof;

FIG. 4 is a rear view thereof;

FIG. 5 is a first side view thereof;

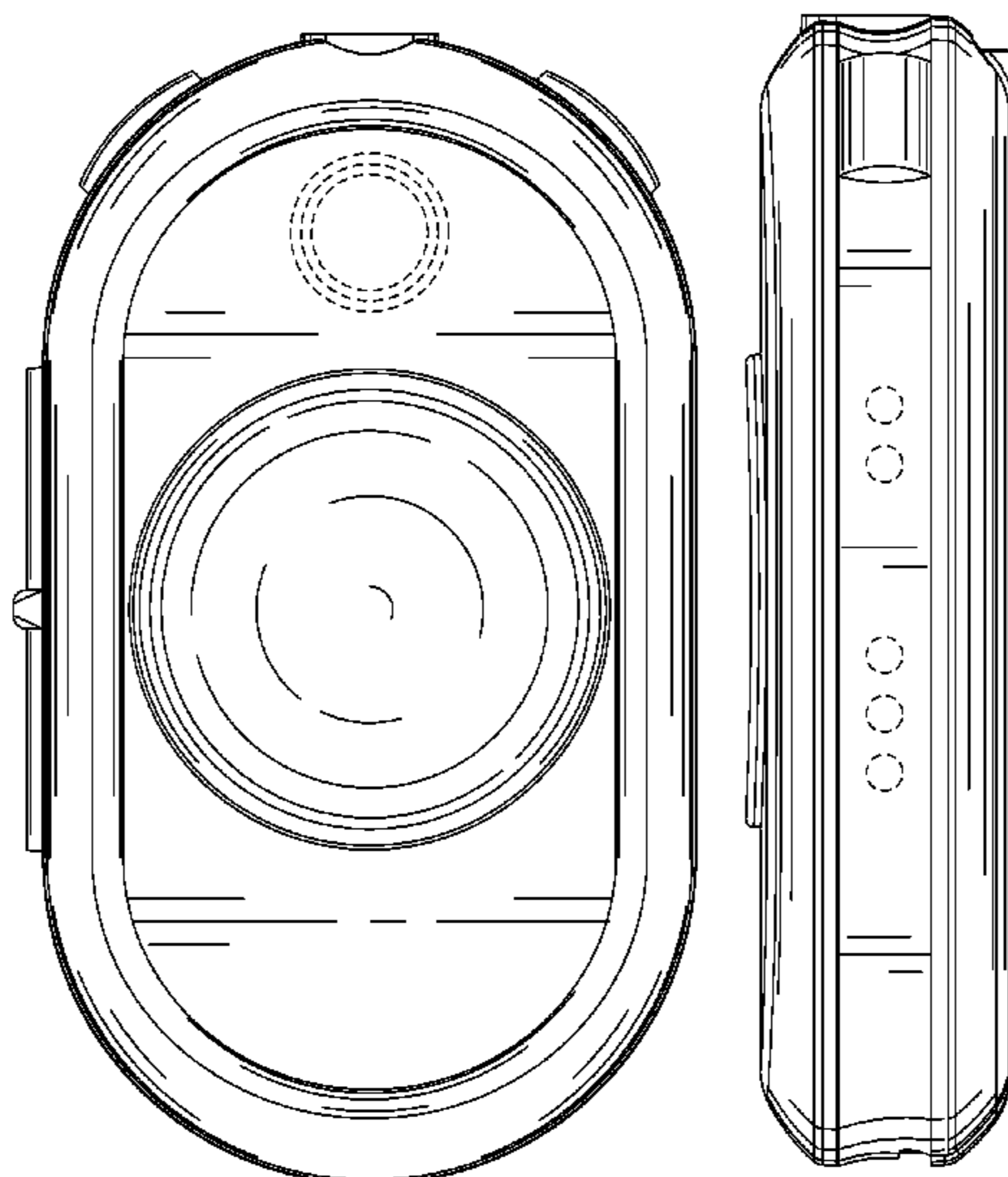
FIG. 7 is a second side view thereof;

FIG. 7 is a top view thereof; and,

FIG. 8 is a bottom view thereof.

The broken lines that are immediately adjacent to the shaded areas, and define unshaded regions, represent the bounds, while all other broken lines are directed to environment and are for illustrative purposes only; the broken lines form no part of the claimed design.

1 Claim, 6 Drawing Sheets



US D622,685 S

Page 2

U.S. PATENT DOCUMENTS

D600,228 S *	9/2009	Finney et al.	D14/138 AC	2005/0064917 A1*	3/2005	Peng et al.	455/575.1
D609,670 S *	2/2010	Finney et al.	D14/138 AC	2005/0277449 A1*	12/2005	Wu	455/575.1
D610,107 S *	2/2010	Duarte et al.	D14/138 AD	2010/0043627 A1*	2/2010	Ahn et al.	84/723
2004/0224717 A1*	11/2004	Hertzberg et al.	455/550.1	* cited by examiner			

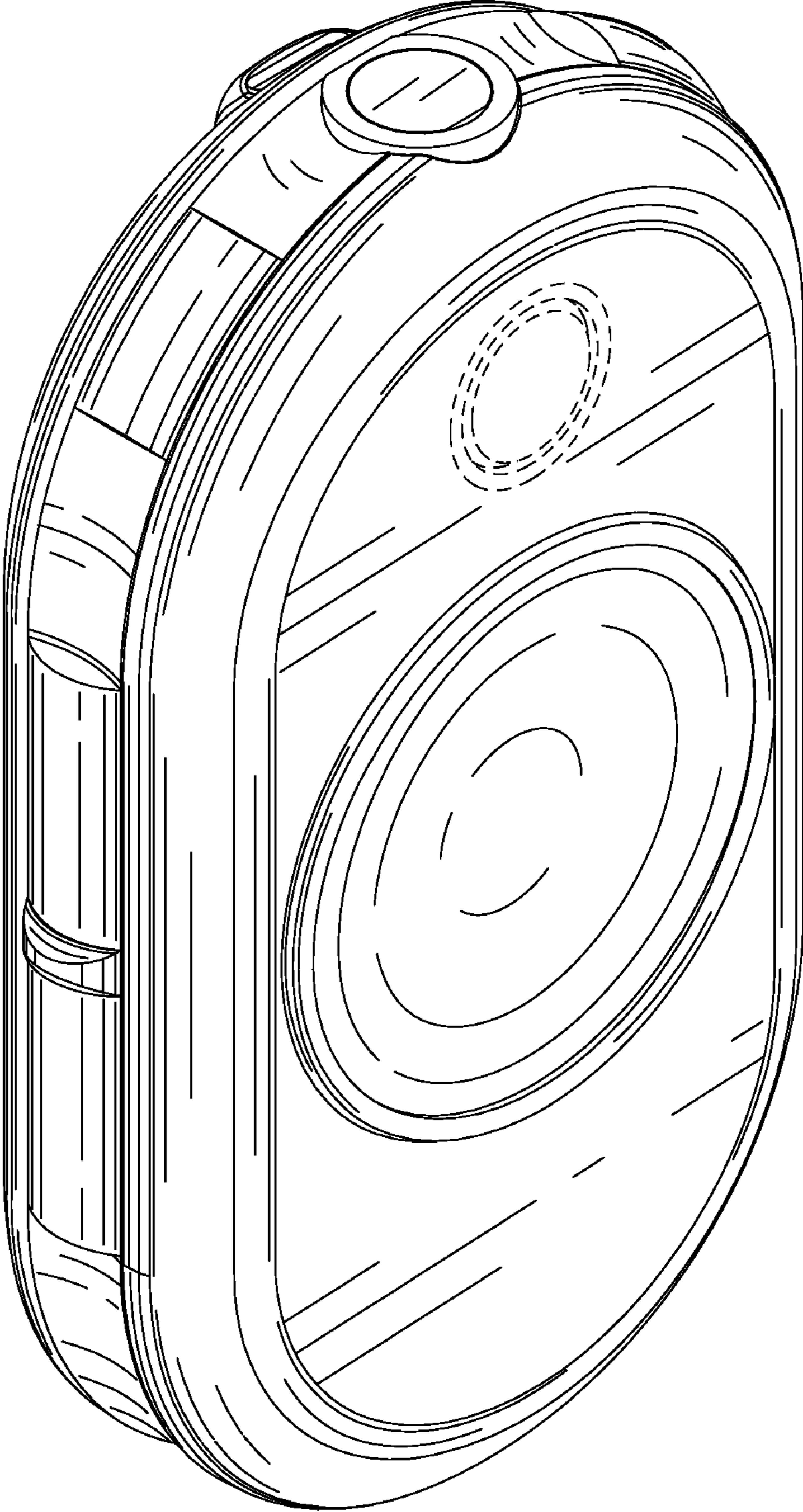


FIG. 1

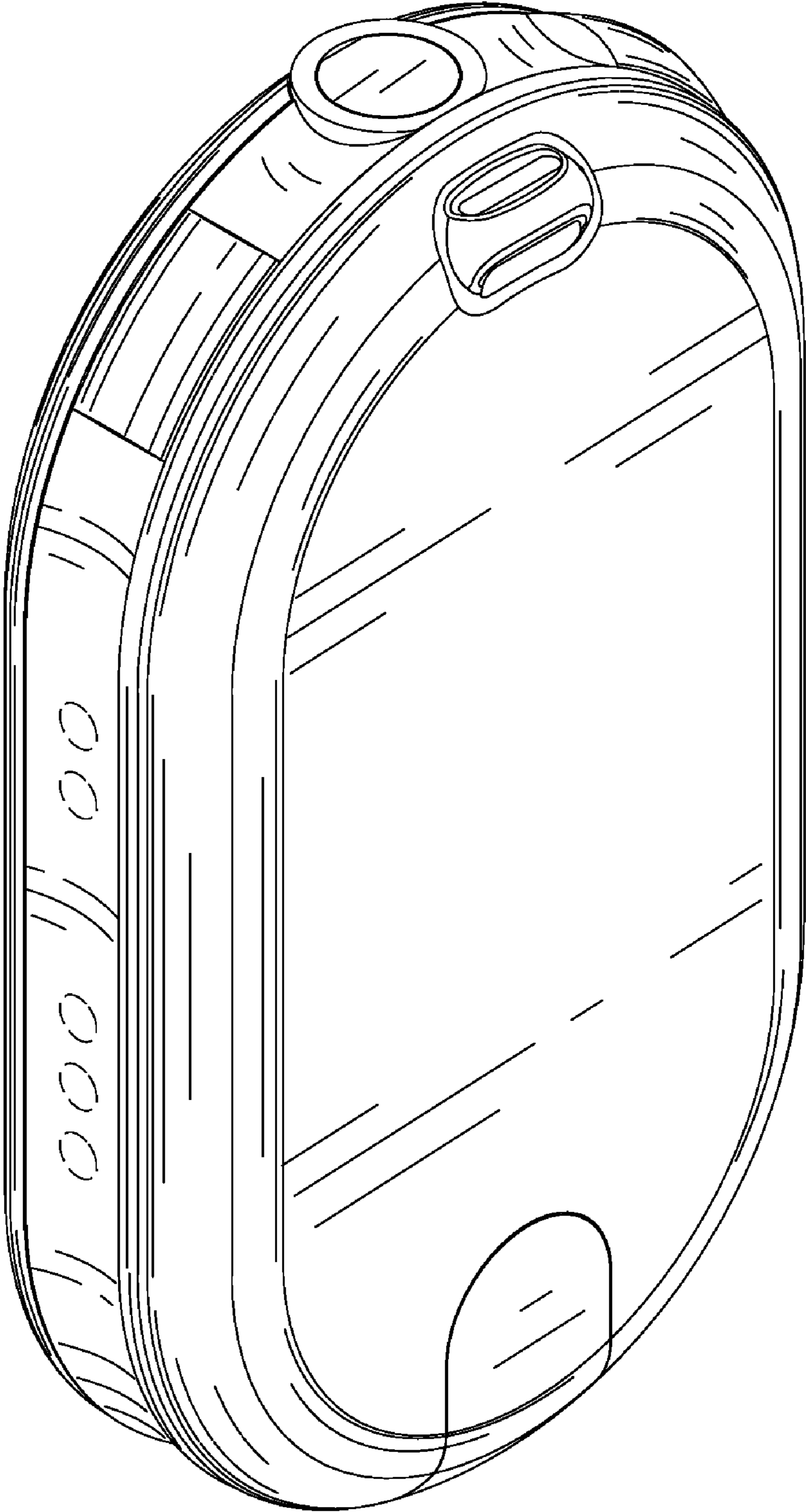


FIG. 2

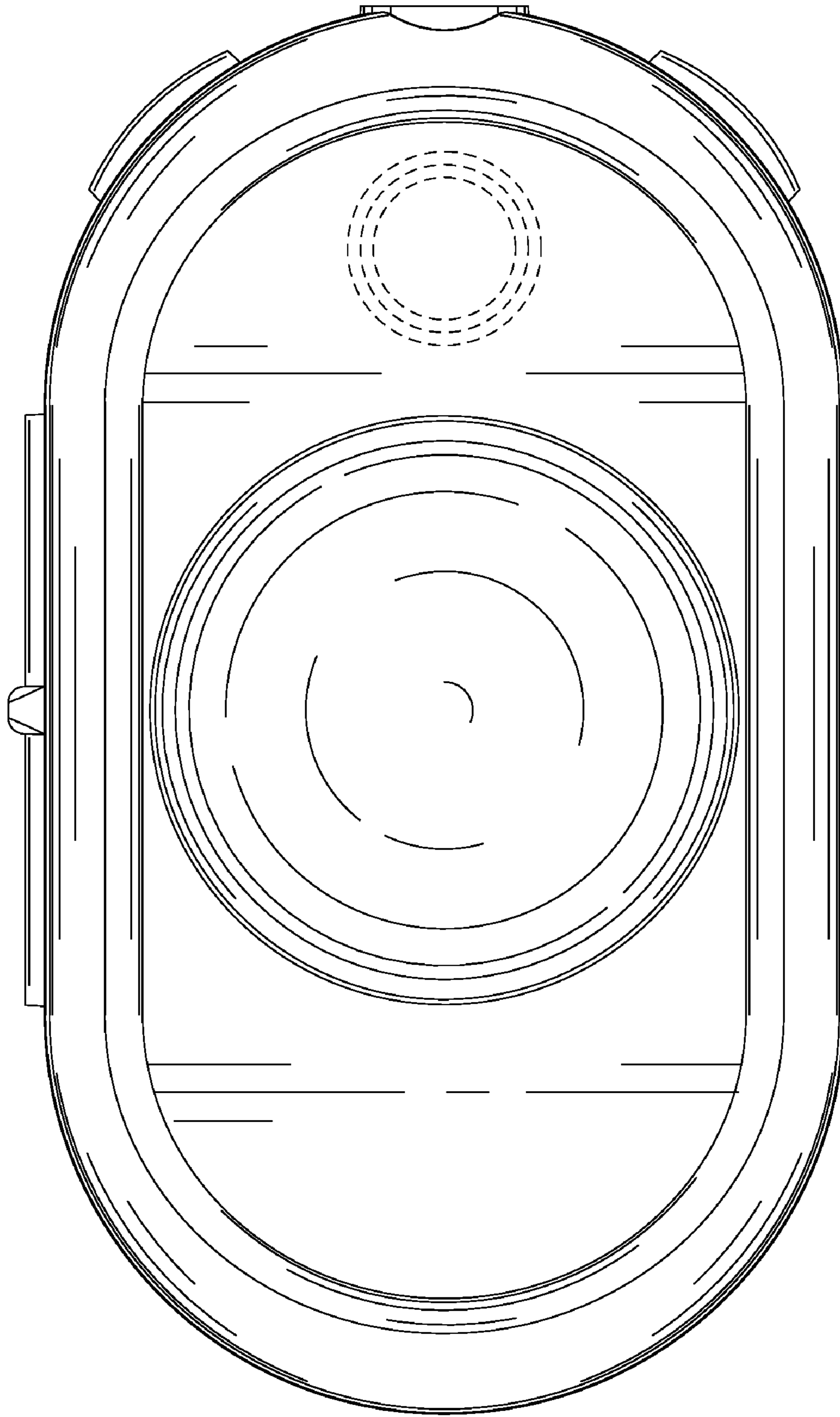


FIG. 3

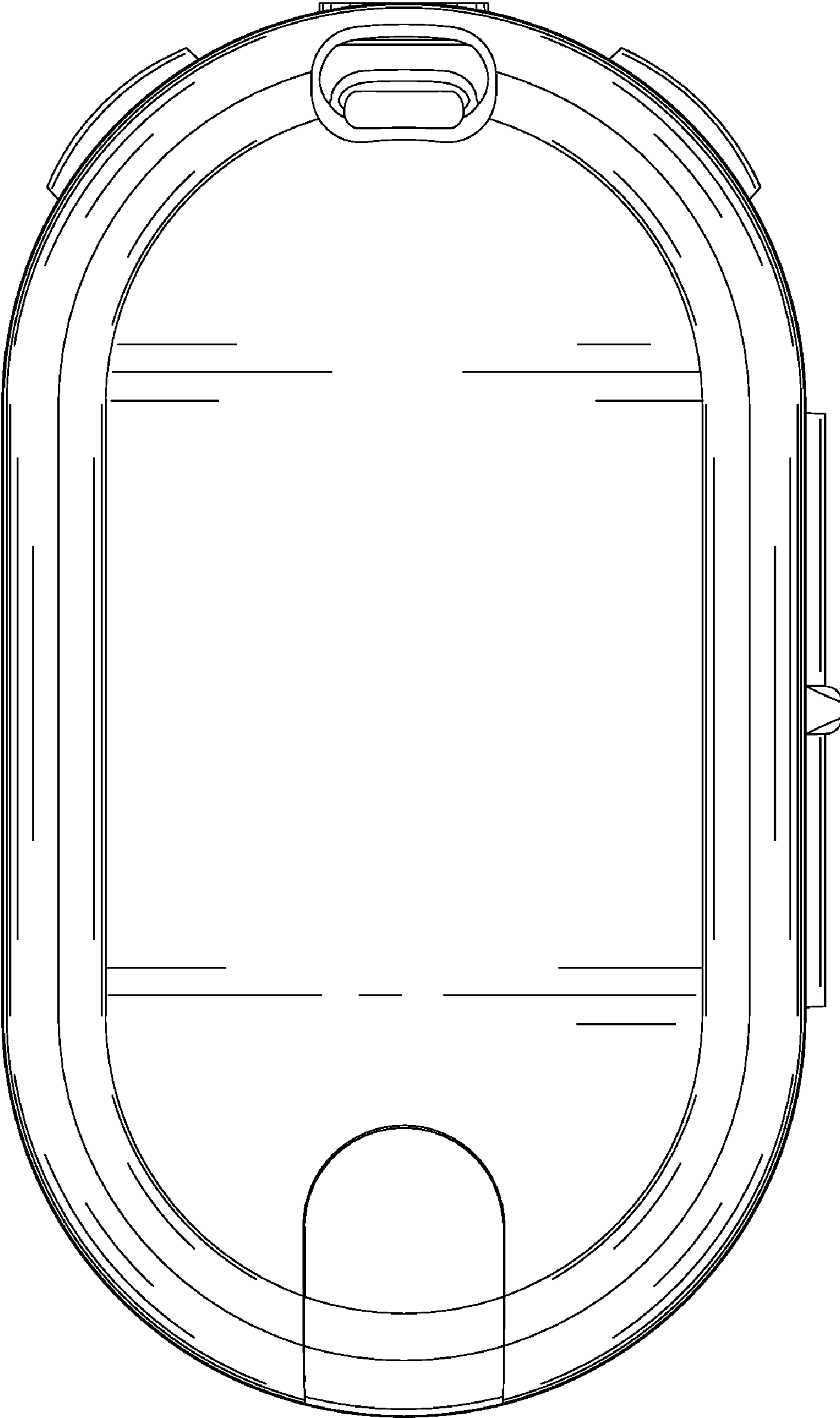


FIG. 4

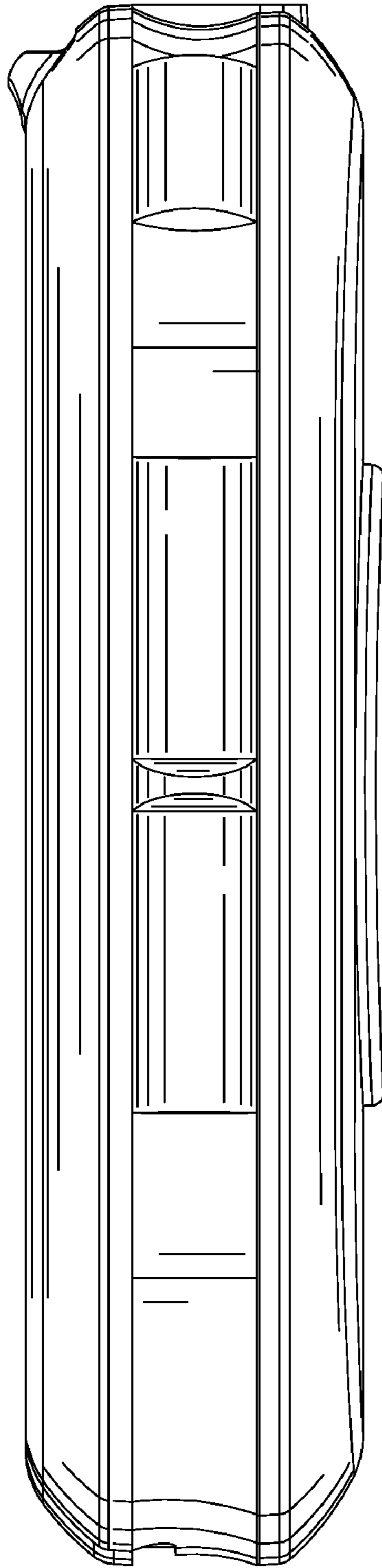


FIG. 5

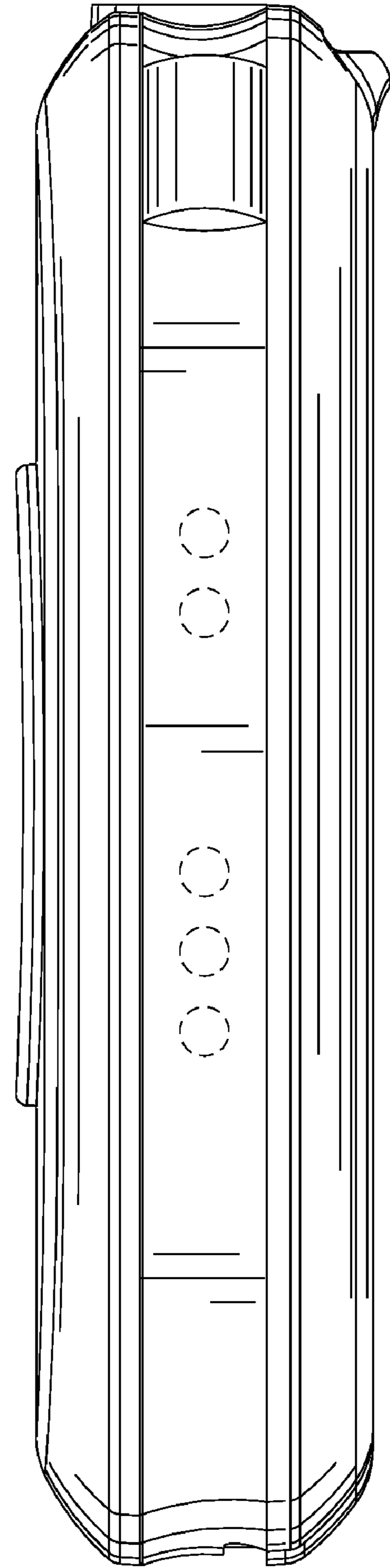


FIG. 6

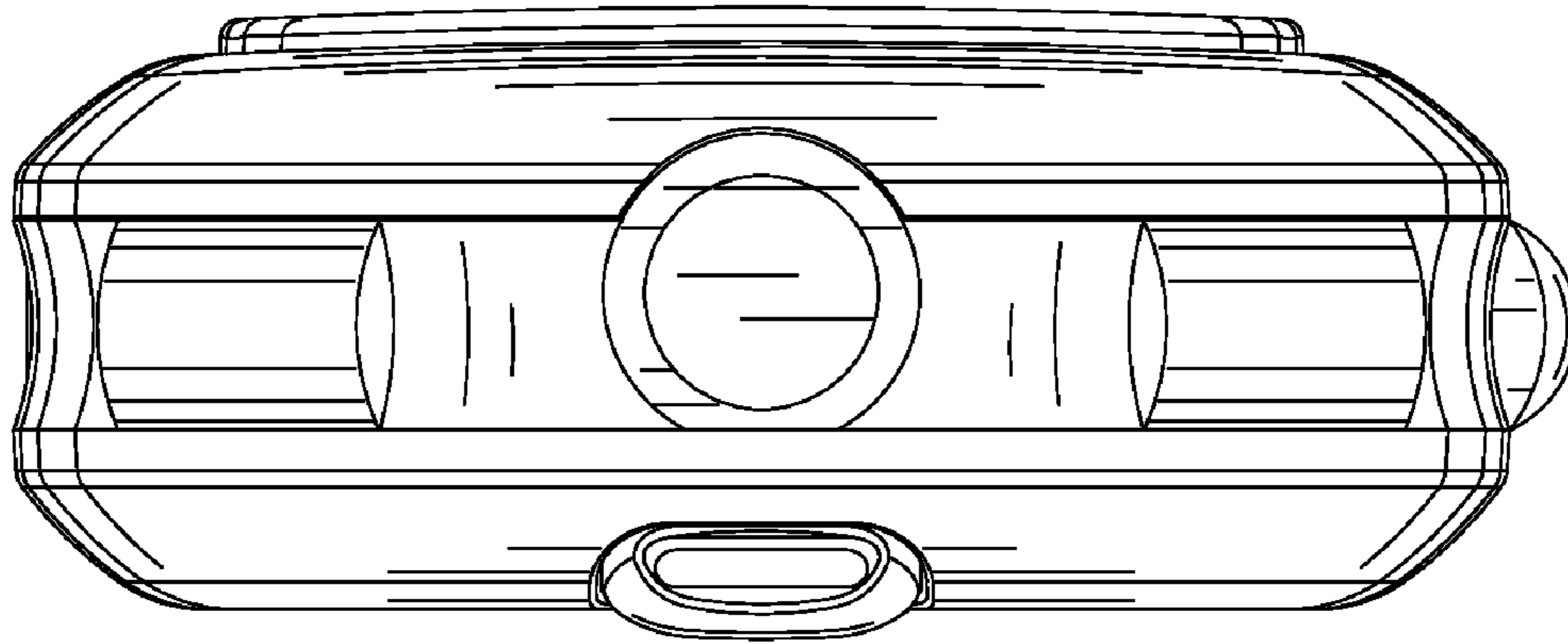


FIG. 7

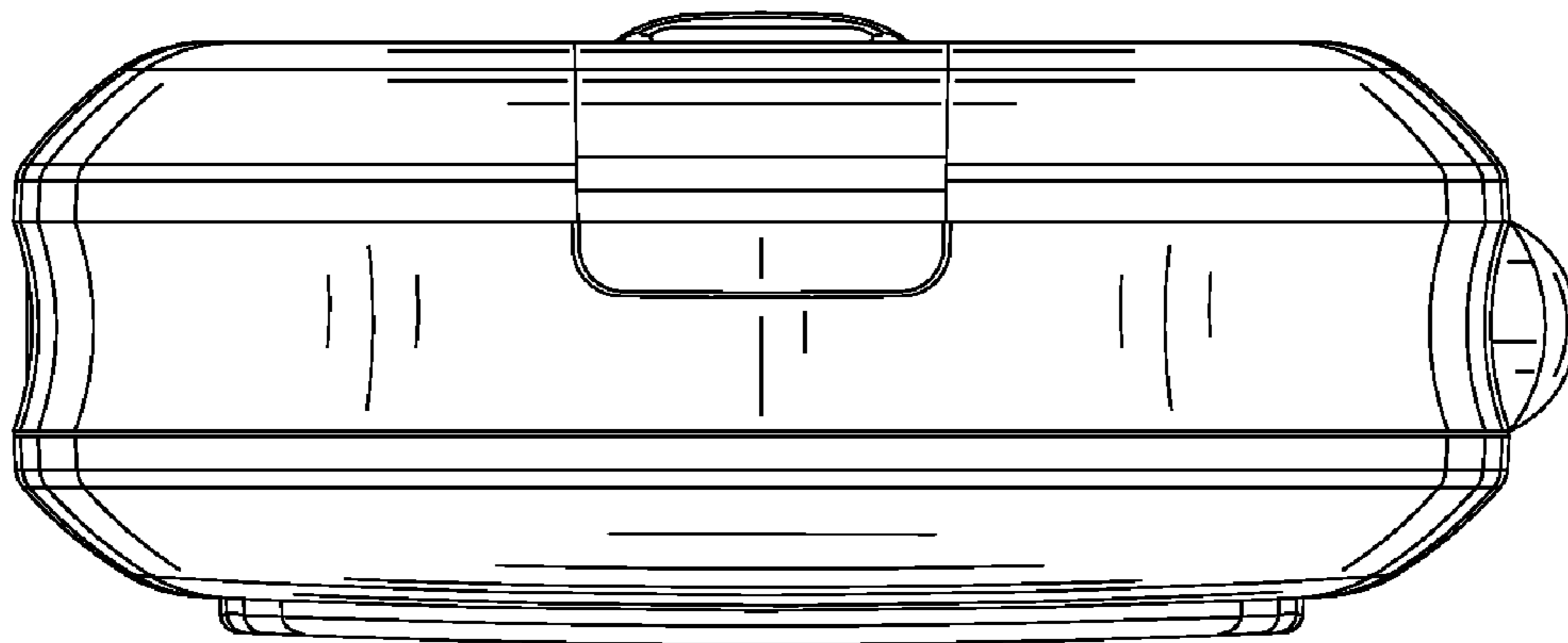


FIG. 8