



US00D622682S

(12) **United States Design Patent**
Park et al.

(10) **Patent No.:** **US D622,682 S**
(45) **Date of Patent:** **** Aug. 31, 2010**

(54) **LIGHT EMITTING DIODE**

(75) Inventors: **Jong-Won Park**, Seongnam-si (KR);
Chi-Ok In, Chungcheongnam-do (KR);
Hyo-Gu Jeon, Seoul (KR)

(73) Assignee: **Alti-Semiconductor Co., Ltd** (KR)

(**) Term: **14 Years**

(21) Appl. No.: **29/352,816**

(22) Filed: **Dec. 28, 2009**

(30) **Foreign Application Priority Data**

Nov. 9, 2009 (KR) 30-2009-0049102

(51) **LOC (9) Cl.** **13-03**

(52) **U.S. Cl.** **D13/180**

(58) **Field of Classification Search** D13/180;
D26/2; 257/79, 80, 81, 88, 89, 95, 98, 99,
257/100, E33.058; 313/483, 498, 500; 362/555,
362/800

See application file for complete search history.

(56) **References Cited**

U.S. PATENT DOCUMENTS

D495,304 S *	8/2004	Kim et al.	D13/180
D576,568 S *	9/2008	Chen et al.	D13/180
D576,570 S *	9/2008	Chen et al.	D13/180
D595,244 S *	6/2009	In et al.	D13/180
D595,245 S *	6/2009	Kim et al.	D13/180
D596,591 S *	7/2009	In et al.	D13/180

D597,969 S *	8/2009	Kobayakawa et al.	D13/180
D597,971 S *	8/2009	Kobayakawa et al.	D13/180
D608,309 S *	1/2010	Kim	D13/180
D611,011 S *	3/2010	Ariizumi	D13/180
D611,012 S *	3/2010	Hsieh	D13/180
2009/0224271 A1 *	9/2009	Seo et al.	257/98
2010/0059782 A1 *	3/2010	Fujitomo et al.	257/98

* cited by examiner

Primary Examiner—Selina Sikder

(74) *Attorney, Agent, or Firm*—The Farrell Law Firm, LLP

(57) **CLAIM**

The ornamental design for a light emitting diode, as shown and described herein.

DESCRIPTION

FIG. 1 is a front perspective view of a light emitting diode showing our new design;

FIG. 2 is a front elevational view thereof;

FIG. 3 is a rear elevational view thereof;

FIG. 4 is a left side elevational view thereof;

FIG. 5 is a right side elevational view thereof;

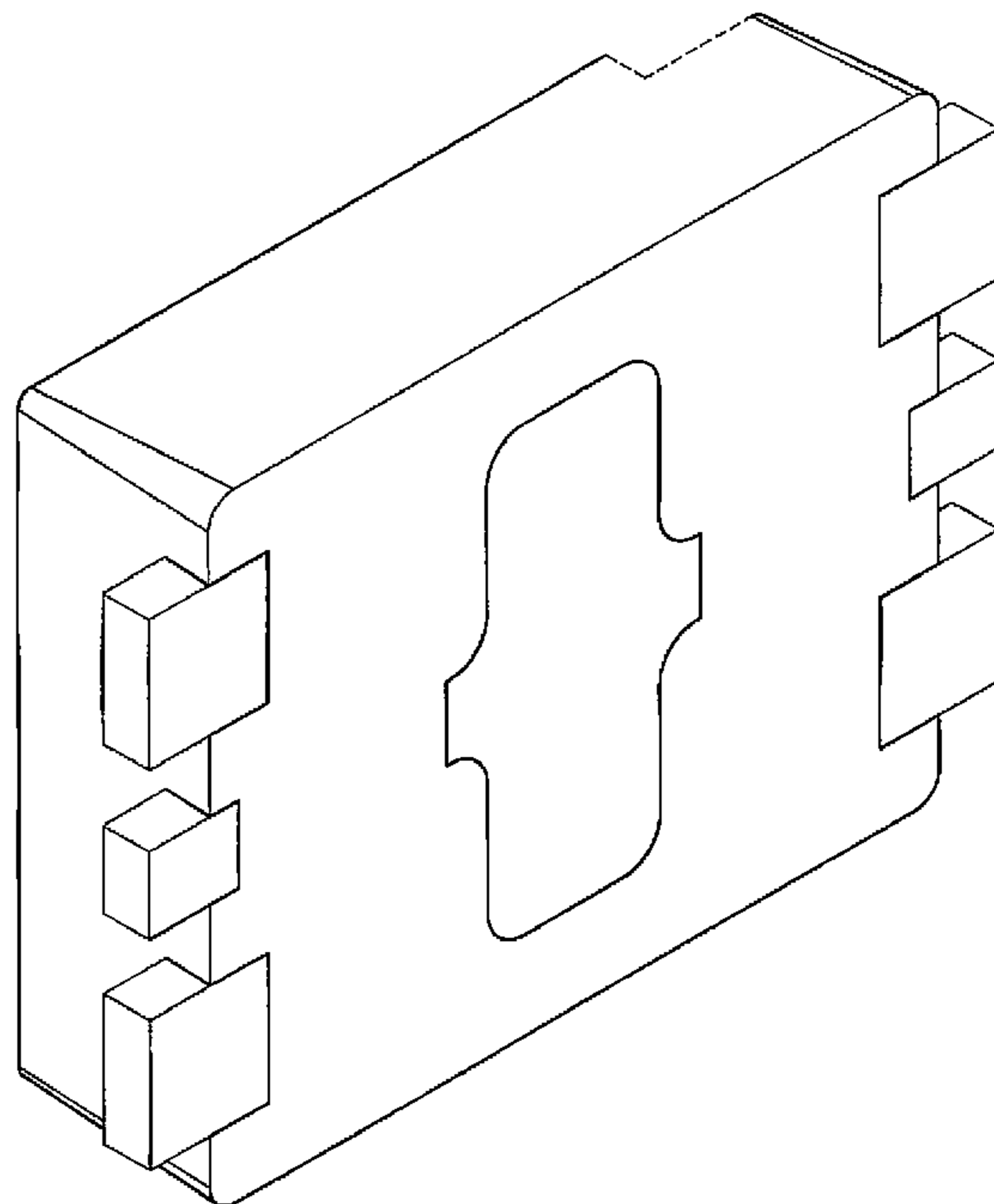
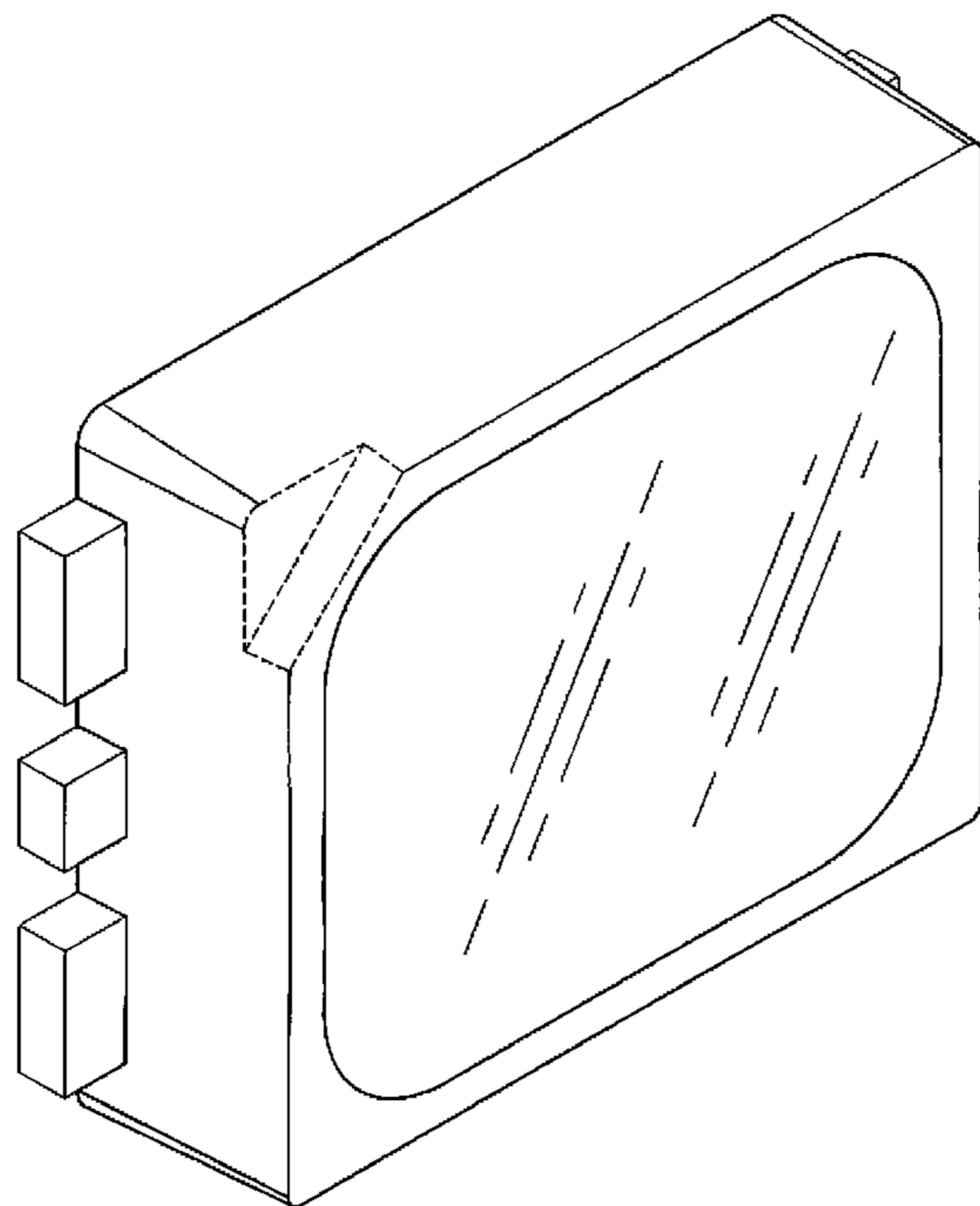
FIG. 6 is a top plan view thereof;

FIG. 7 is a bottom plan view thereof; and,

FIG. 8 is a rear perspective view thereof.

The broken lines in the drawings are for illustrative purposes only and form no part of the claimed design.

1 Claim, 8 Drawing Sheets



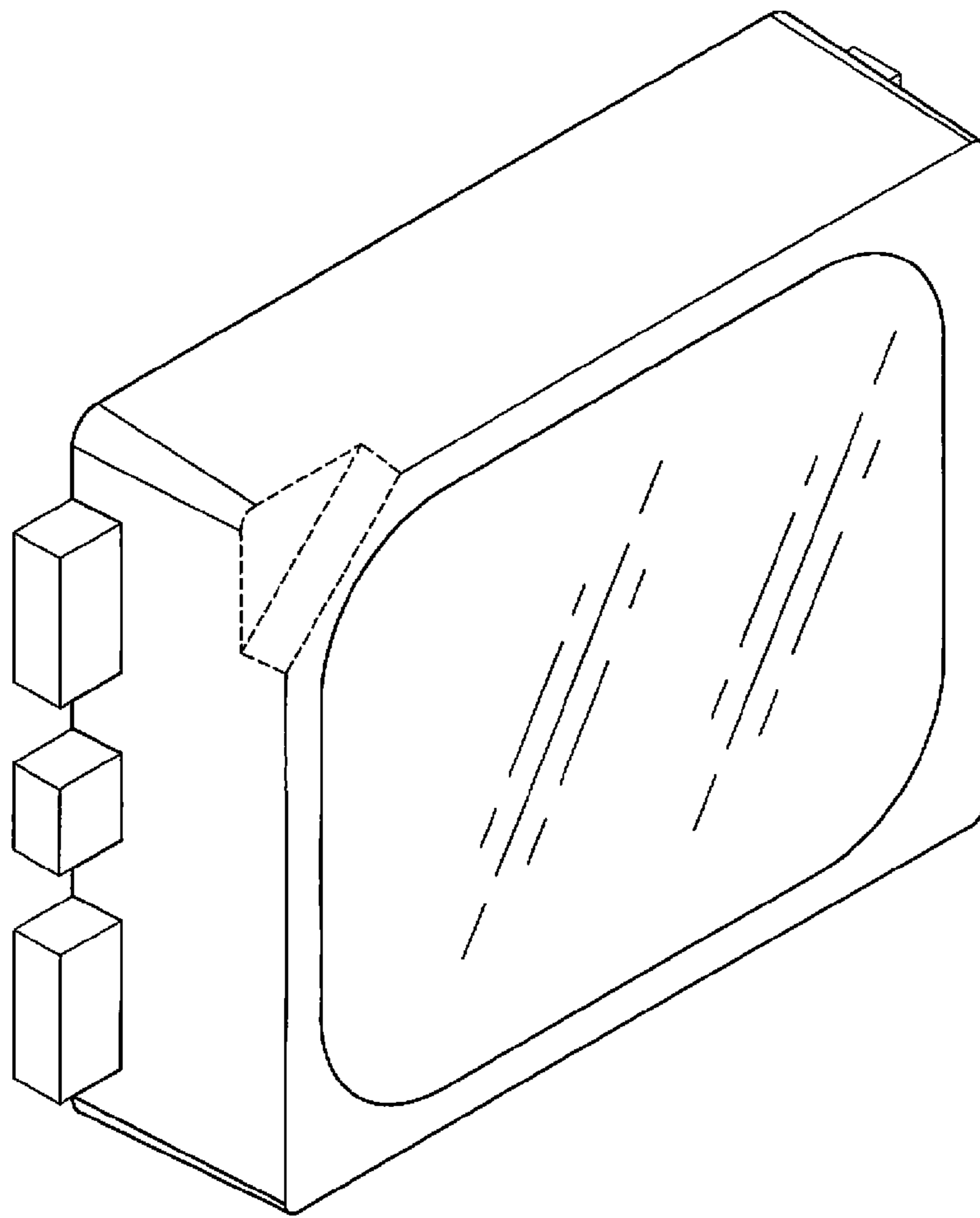


FIG. 1

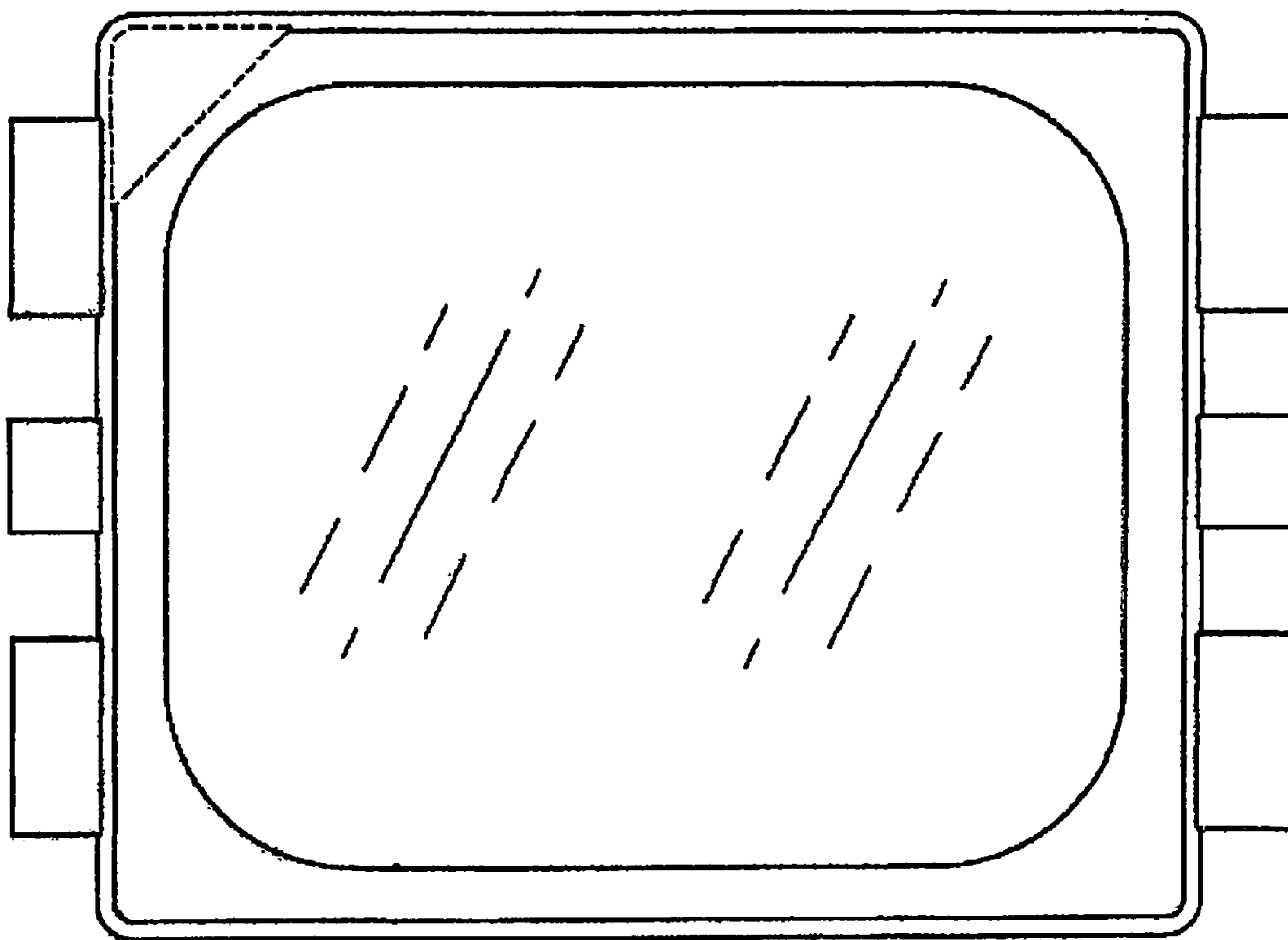


FIG. 2

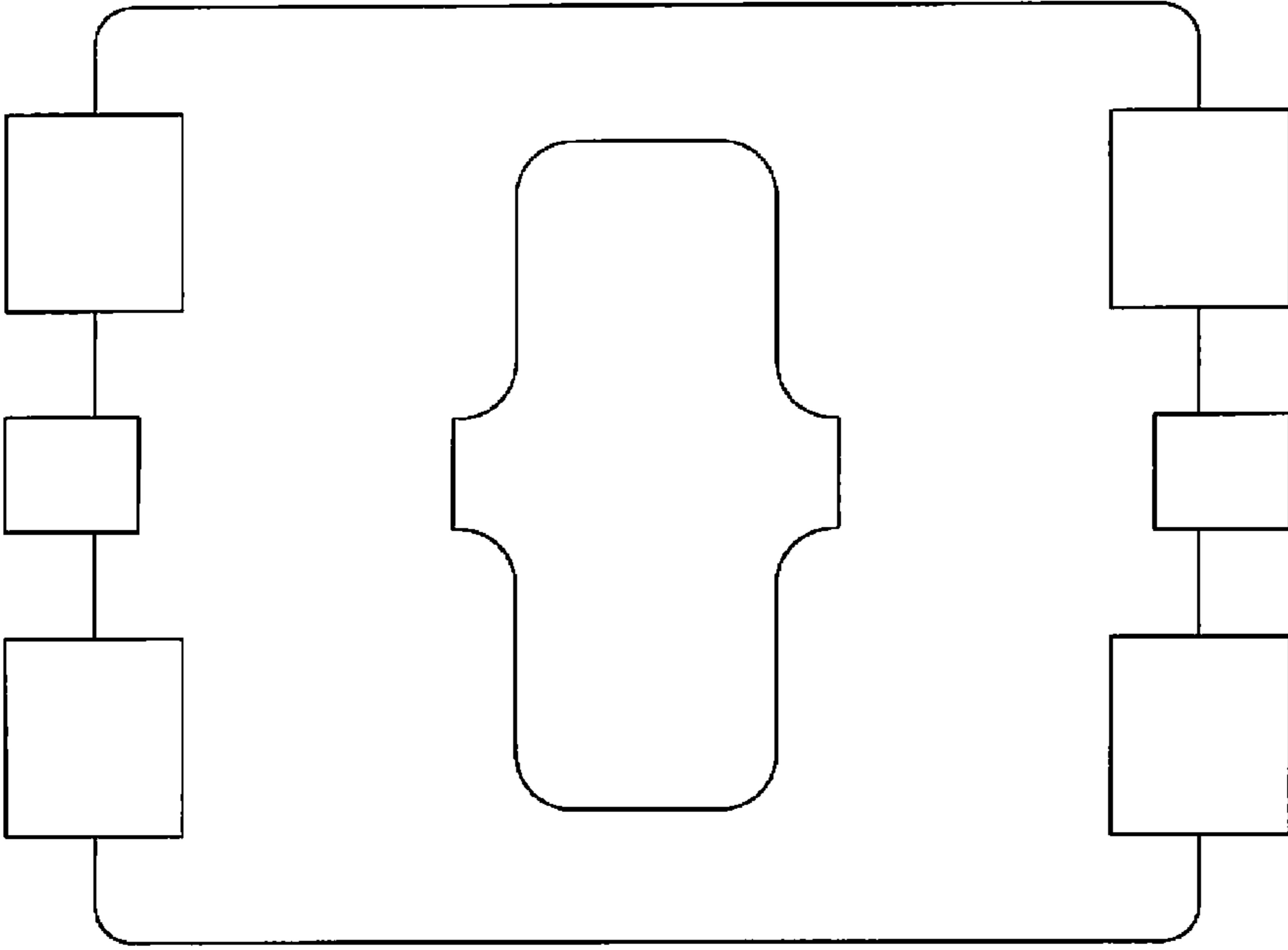


FIG. 3

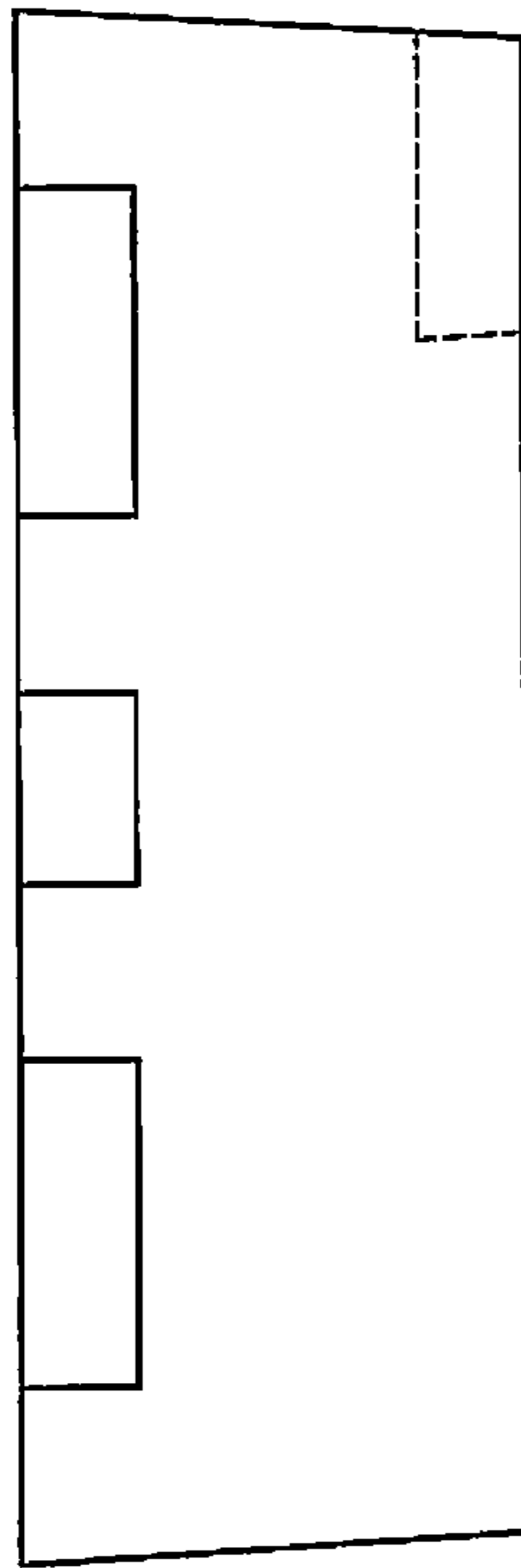


FIG. 4

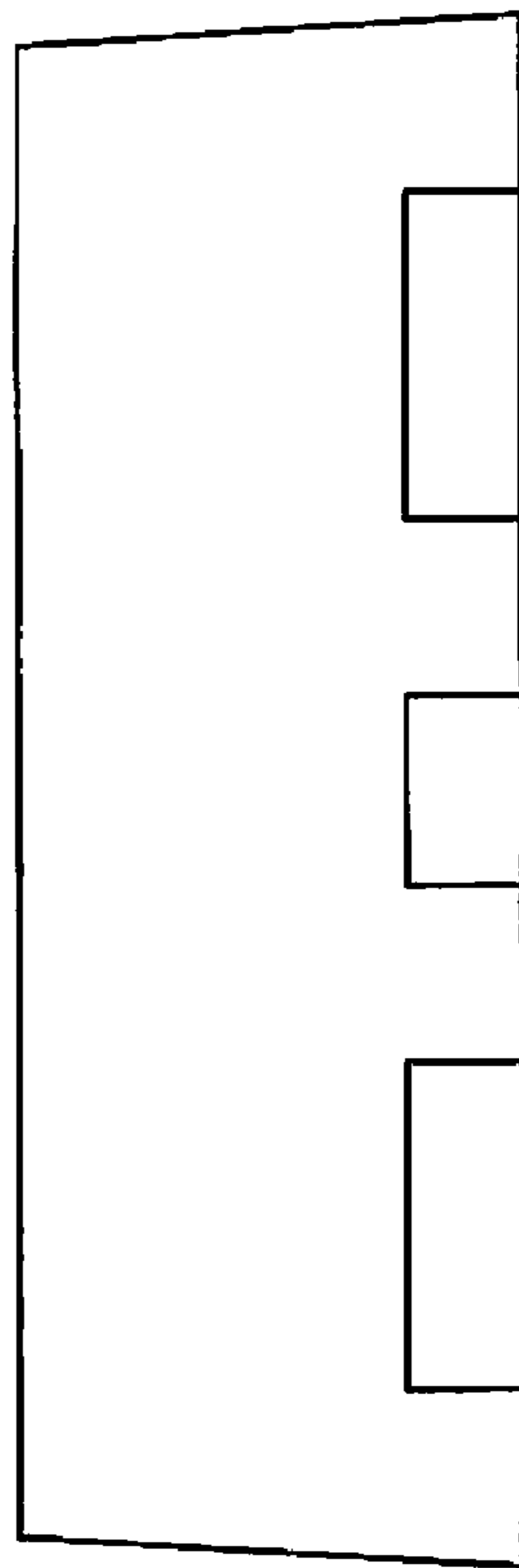


FIG. 5



FIG. 6

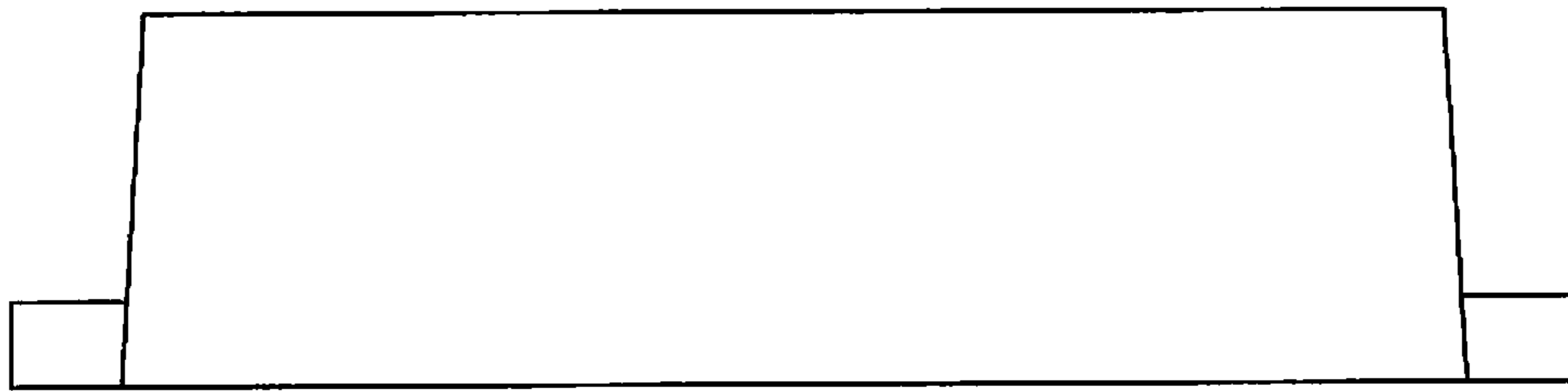


FIG. 7

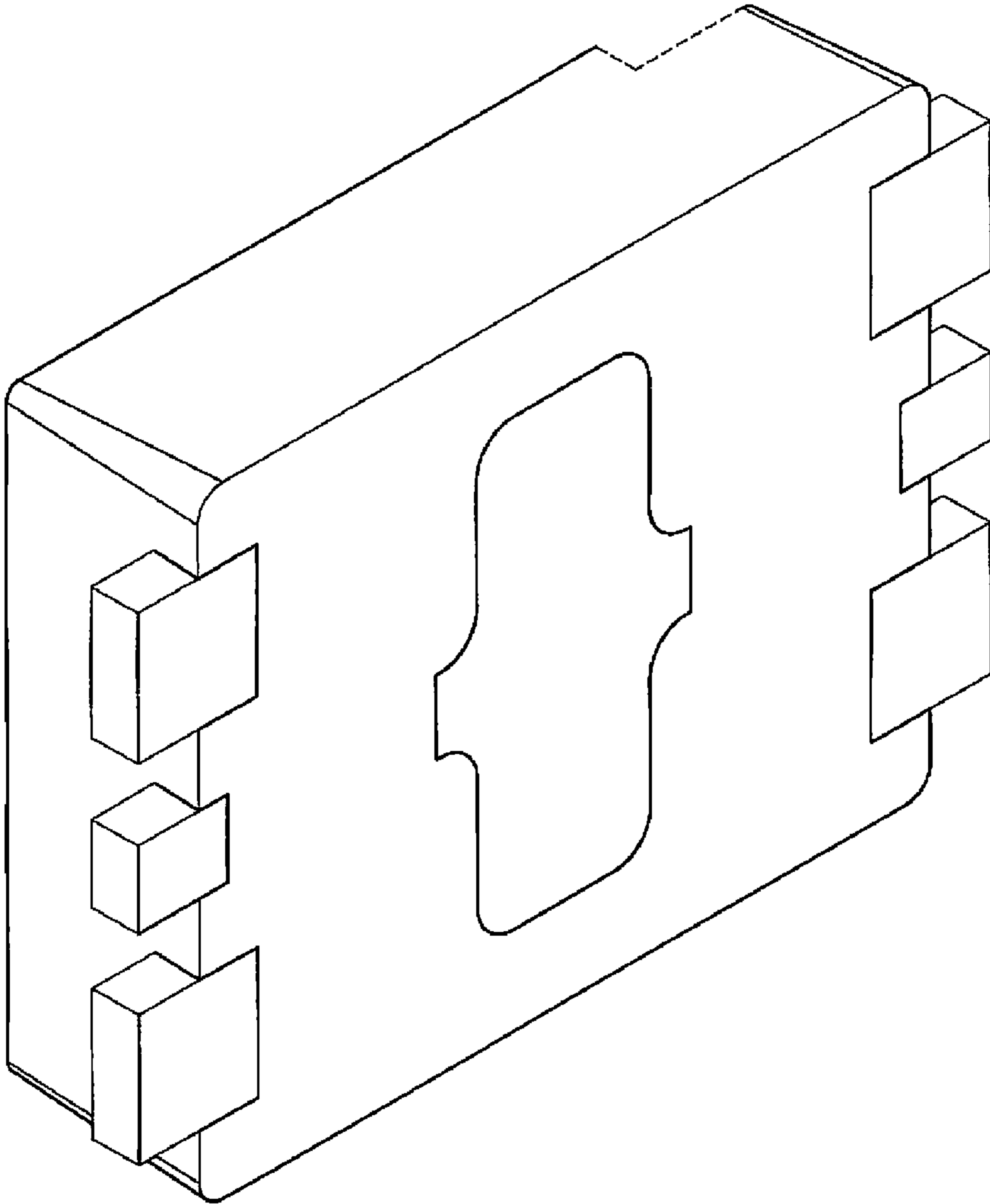


FIG. 8