



US00D622680S

(12) **United States Design Patent**
Lin et al.

(10) **Patent No.:** **US D622,680 S**

(45) **Date of Patent:** **** Aug. 31, 2010**

(54) **PACKAGE OF A LIGHT EMITTING DIODE**

(75) Inventors: **Chen-Hsiu Lin**, Taipei (TW); **Yi-Fei Lee**, Taipei (TW); **Chang-Yen Lin**, Taipei (TW)

(73) Assignees: **Silitek Electronic (Guangzhou) Go., Ltd.**, Guangzhou (CN); **Lite-On Technology Corp.**, Taipei (TW)

(**) Term: **14 Years**

(21) Appl. No.: **29/347,322**

(22) Filed: **Dec. 4, 2009**

(51) **LOC (9) Cl.** **13-03**

(52) **U.S. Cl.** **D13/180**

(58) **Field of Classification Search** D13/180;
D26/2; 257/79, 80, 81, 88, 89, 95, 98, 99,
257/100, E33.058; 313/483, 498, 500; 362/555,
362/800

See application file for complete search history.

(56) **References Cited**

U.S. PATENT DOCUMENTS

D559,803 S * 1/2008 Lee D13/180
D566,055 S * 4/2008 Kim D13/180
D578,969 S * 10/2008 Kobayakawa D13/180

D580,891 S * 11/2008 Sung et al. D13/180
D595,674 S * 7/2009 Wang et al. D13/180
D595,675 S * 7/2009 Wang et al. D13/180
D597,971 S * 8/2009 Kobayakawa et al. D13/180
D599,750 S * 9/2009 Kim et al. D13/180
2008/0185605 A1 * 8/2008 Wada et al. 257/98
2009/0101897 A1 * 4/2009 Murphy et al. 257/48

* cited by examiner

Primary Examiner—Selina Sikder

(74) *Attorney, Agent, or Firm*—Rosenberg, Klein & Lee

(57) **CLAIM**

The ornamental design for package of a light emitting diode, as shown and described.

DESCRIPTION

FIG. 1 is a perspective view of package of a light emitting diode showing my new design;

FIG. 2 is a front elevational view thereof;

FIG. 3 is a rear elevational view thereof;

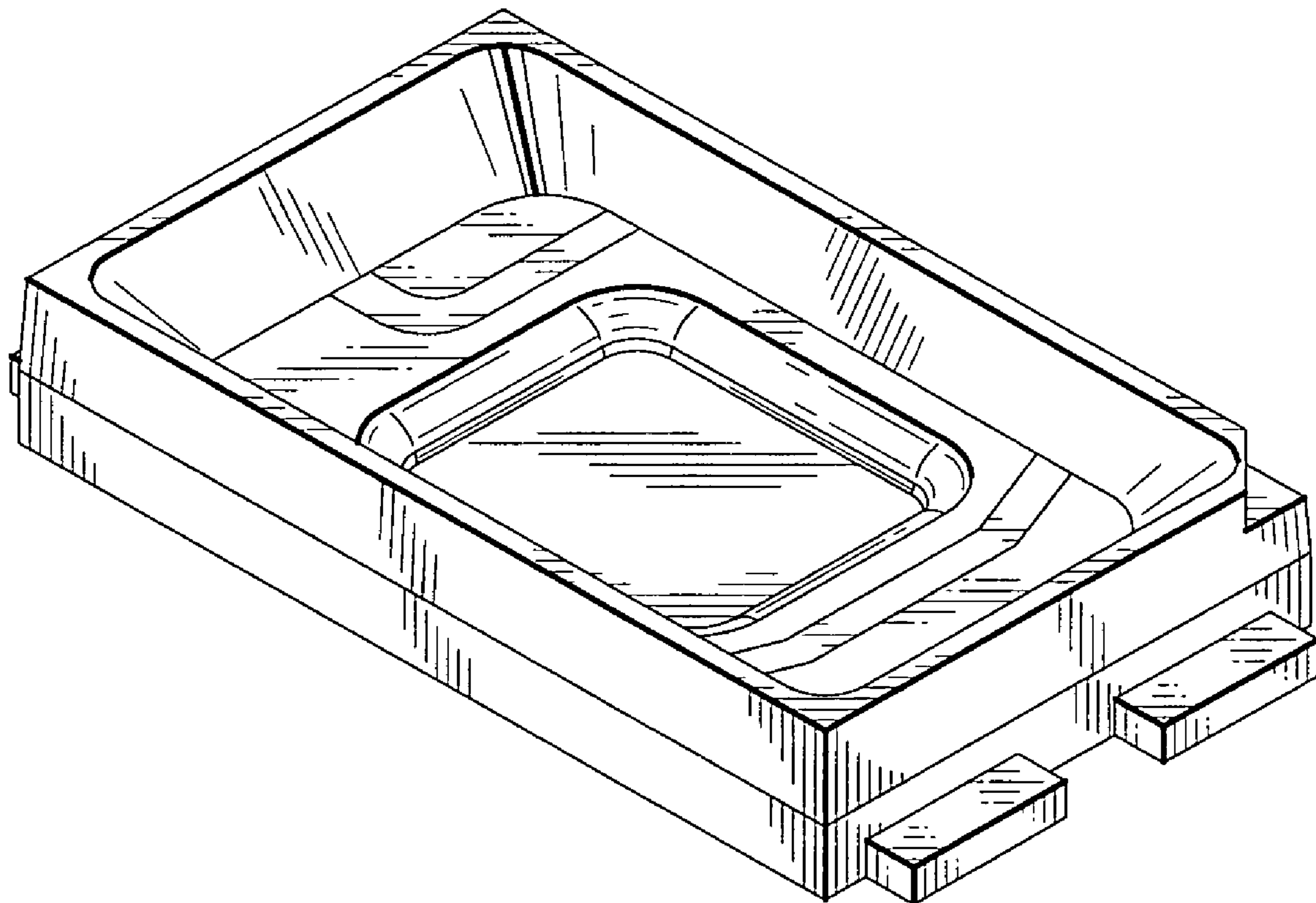
FIG. 4 is a left side elevational view thereof;

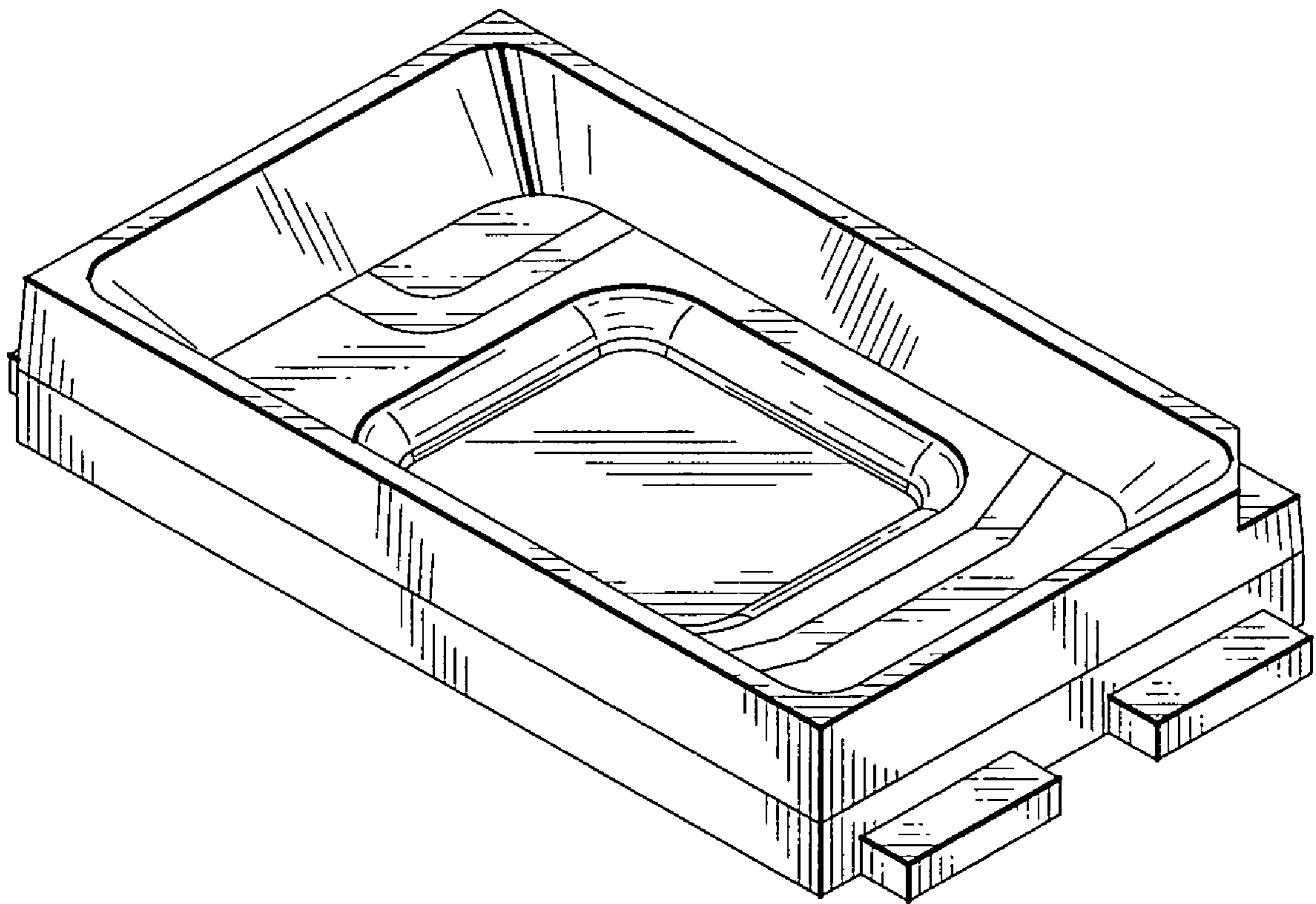
FIG. 5 is a right side elevational view thereof;

FIG. 6 is a top plan view thereof; and,

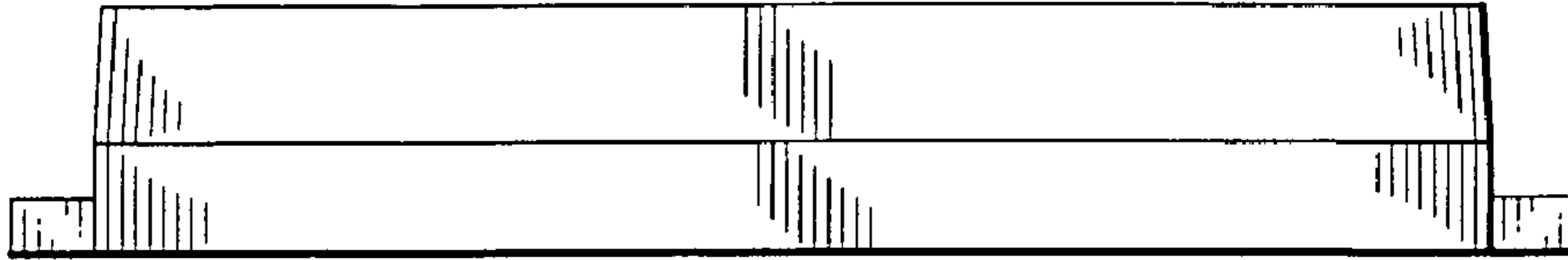
FIG. 7 is a bottom plan view thereof.

1 Claim, 3 Drawing Sheets

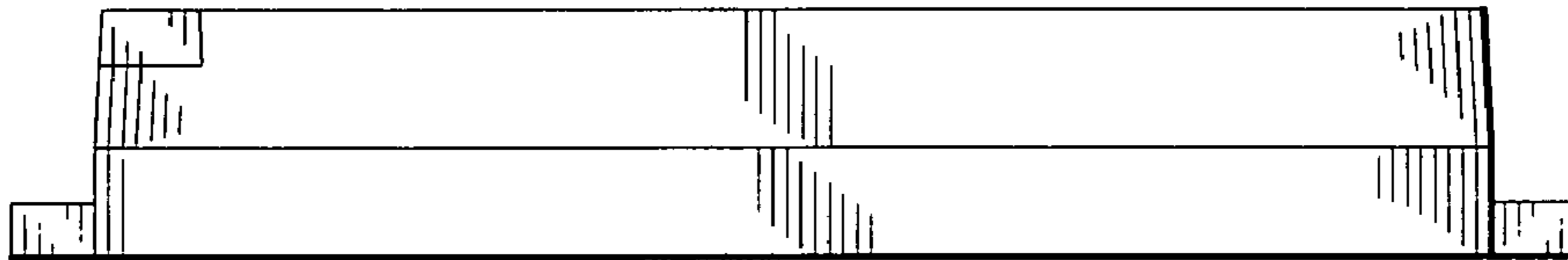




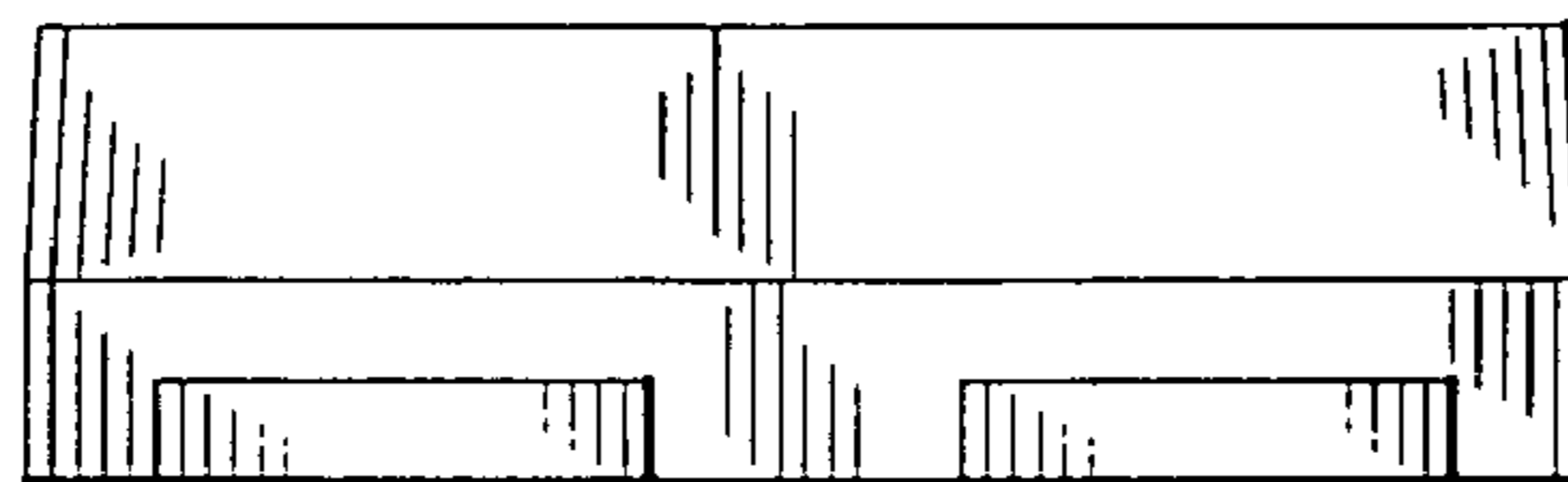
F I G. 1



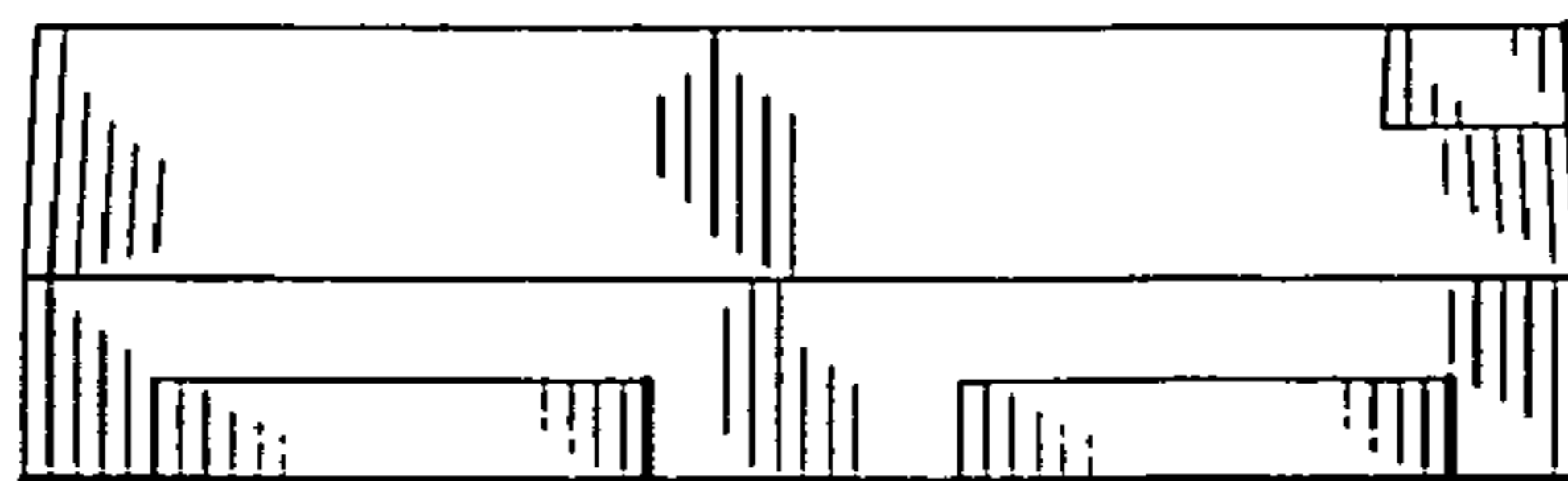
F I G. 2



F I G. 3



F I G. 4



F I G. 5

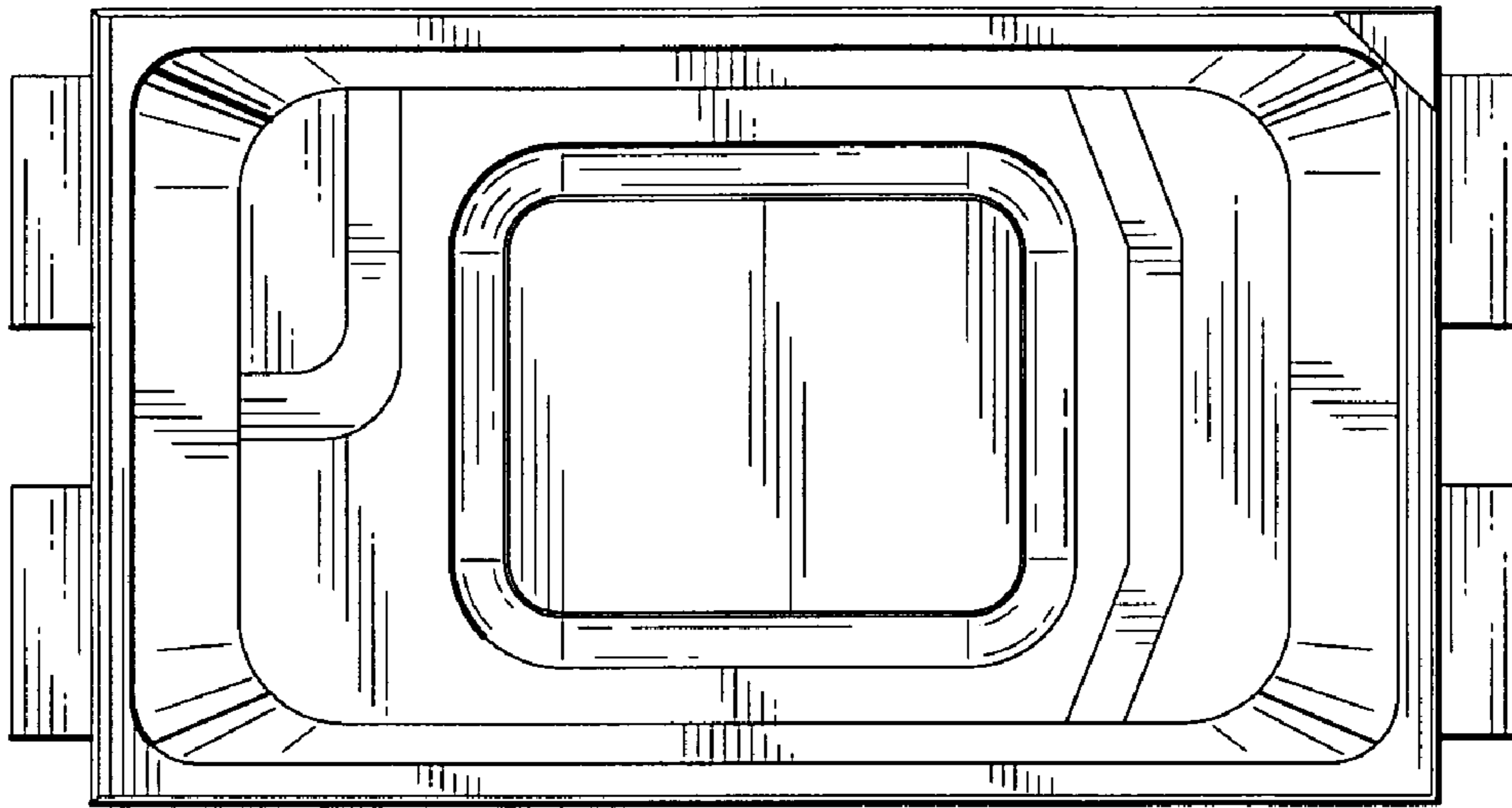


FIG. 6

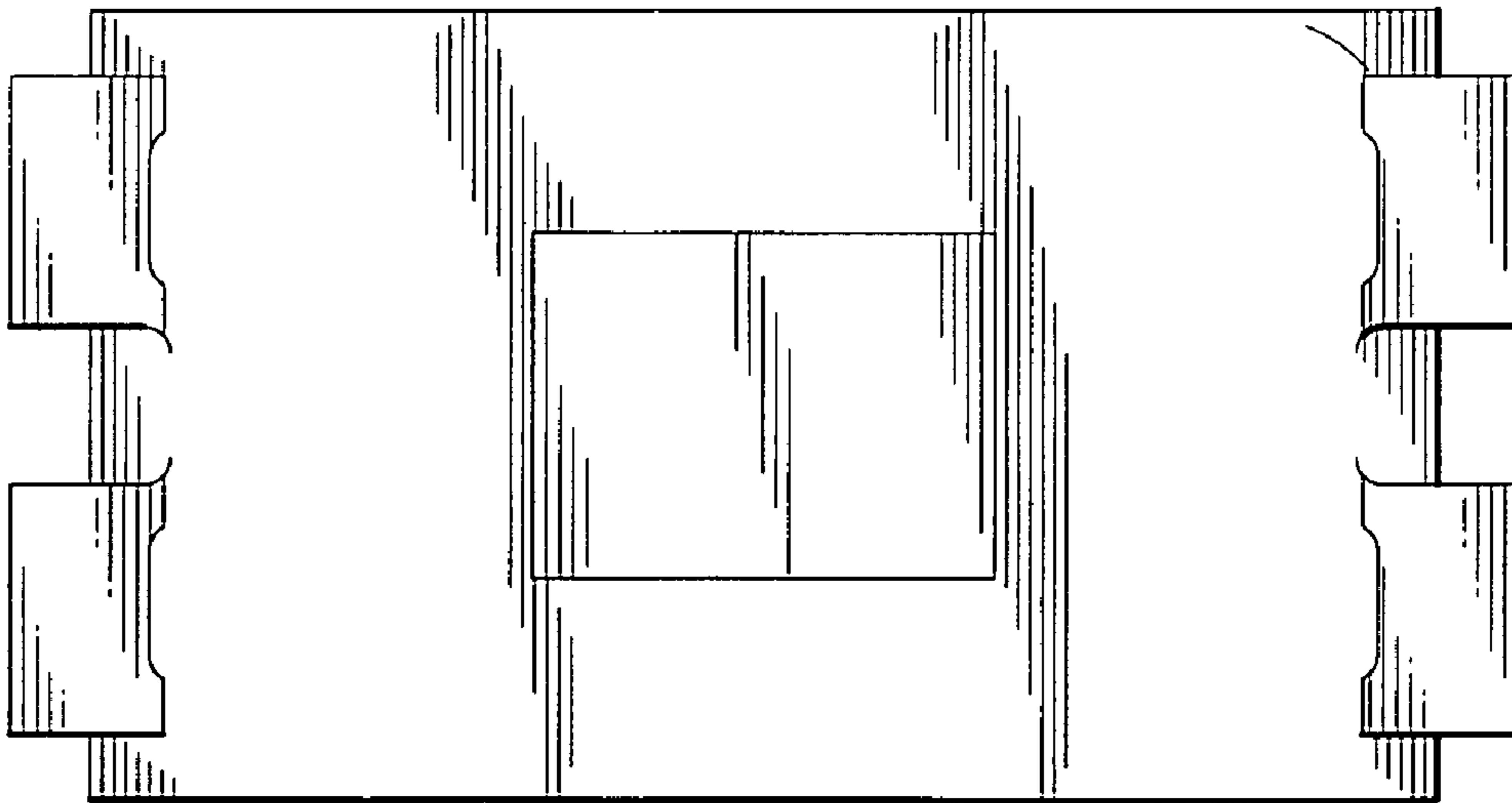


FIG. 7