



US00D622671S

(12) **United States Design Patent**  
**Wang et al.**

(10) **Patent No.:** **US D622,671 S**

(45) **Date of Patent:** **\*\* Aug. 31, 2010**

(54) **CONNECTOR CONTACT**

(75) Inventors: **Yao-Ting Wang**, Taipei (TW); **Yu-Hung Su**, Taipei (TW); **Yeh-Ta Chien**, Taipei (TW)

(73) Assignee: **Cheng Uei Precision Industry Co., Ltd.**, Taipei Hsien (TW)

(\*\*) Term: **14 Years**

(21) Appl. No.: **29/358,938**

(22) Filed: **Apr. 1, 2010**

(51) **LOC (9) Cl.** ..... **13-03**

(52) **U.S. Cl.** ..... **D13/154; D13/133; D13/120**

(58) **Field of Classification Search** ..... D13/103–106,  
D13/118–121, 133, 146, 147, 154, 184, 199;  
439/732, 844, 849, 850–852, 865–867, 870,  
439/872, 877, 884–891

See application file for complete search history.

(56) **References Cited**

**U.S. PATENT DOCUMENTS**

D313,392 S *	1/1991	Sachs	.....	D13/133
D336,284 S *	6/1993	Pruett et al.	.....	D13/154
D478,315 S *	8/2003	Kondas	.....	D13/146
D486,790 S *	2/2004	Kondas	.....	D13/133
D516,524 S *	3/2006	Su	.....	D13/154
D553,084 S *	10/2007	Huang et al.	.....	D13/133
D553,085 S *	10/2007	Kuan et al.	.....	D13/133

D554,589 S *	11/2007	Kondas	.....	D13/149
D568,247 S *	5/2008	Ho et al.	.....	D13/133
D576,558 S *	9/2008	Chiang	.....	D13/154
D601,972 S *	10/2009	Yu	.....	D13/154
D602,876 S *	10/2009	Yu	.....	D13/154
D603,806 S *	11/2009	Yamashita et al.	.....	D13/154
D607,833 S *	1/2010	Yang	.....	D13/154
D607,836 S *	1/2010	Yang	.....	D13/154
D608,295 S *	1/2010	Huang	.....	D13/154
D616,375 S *	5/2010	Huang	.....	D13/154

\* cited by examiner

*Primary Examiner*—Rosemary K Tarcza

(57) **CLAIM**

The ornamental design for a connector contact, as shown and described.

**DESCRIPTION**

FIG. 1 is a perspective view of a connector contact showing our new design;

FIG. 2 is a front elevational view thereof;

FIG. 3 is a rear elevational view thereof;

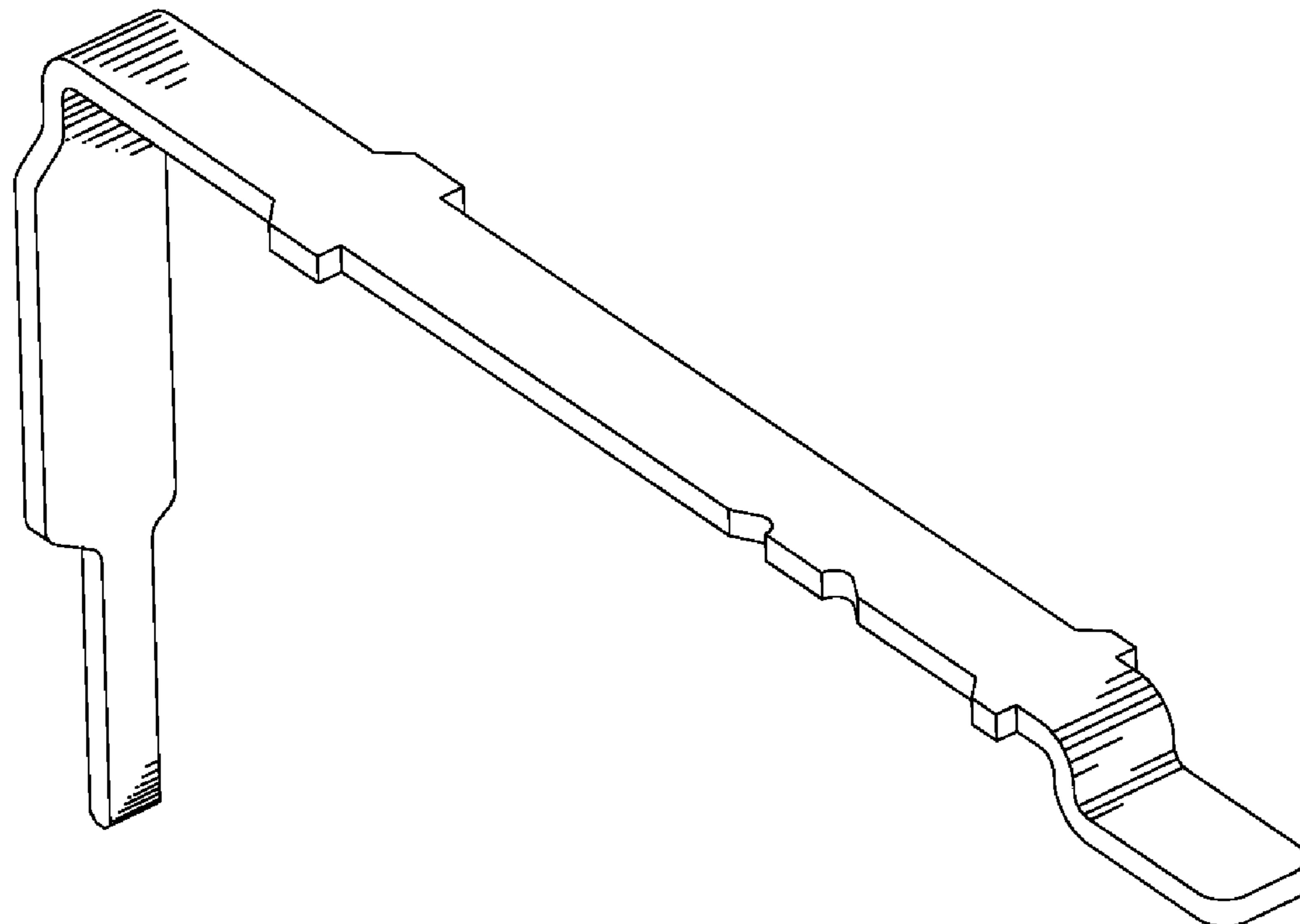
FIG. 4 is a left side elevational view thereof;

FIG. 5 is a right side elevational view thereof;

FIG. 6 is a top plan view thereof; and,

FIG. 7 is a bottom plan view thereof.

**1 Claim, 7 Drawing Sheets**



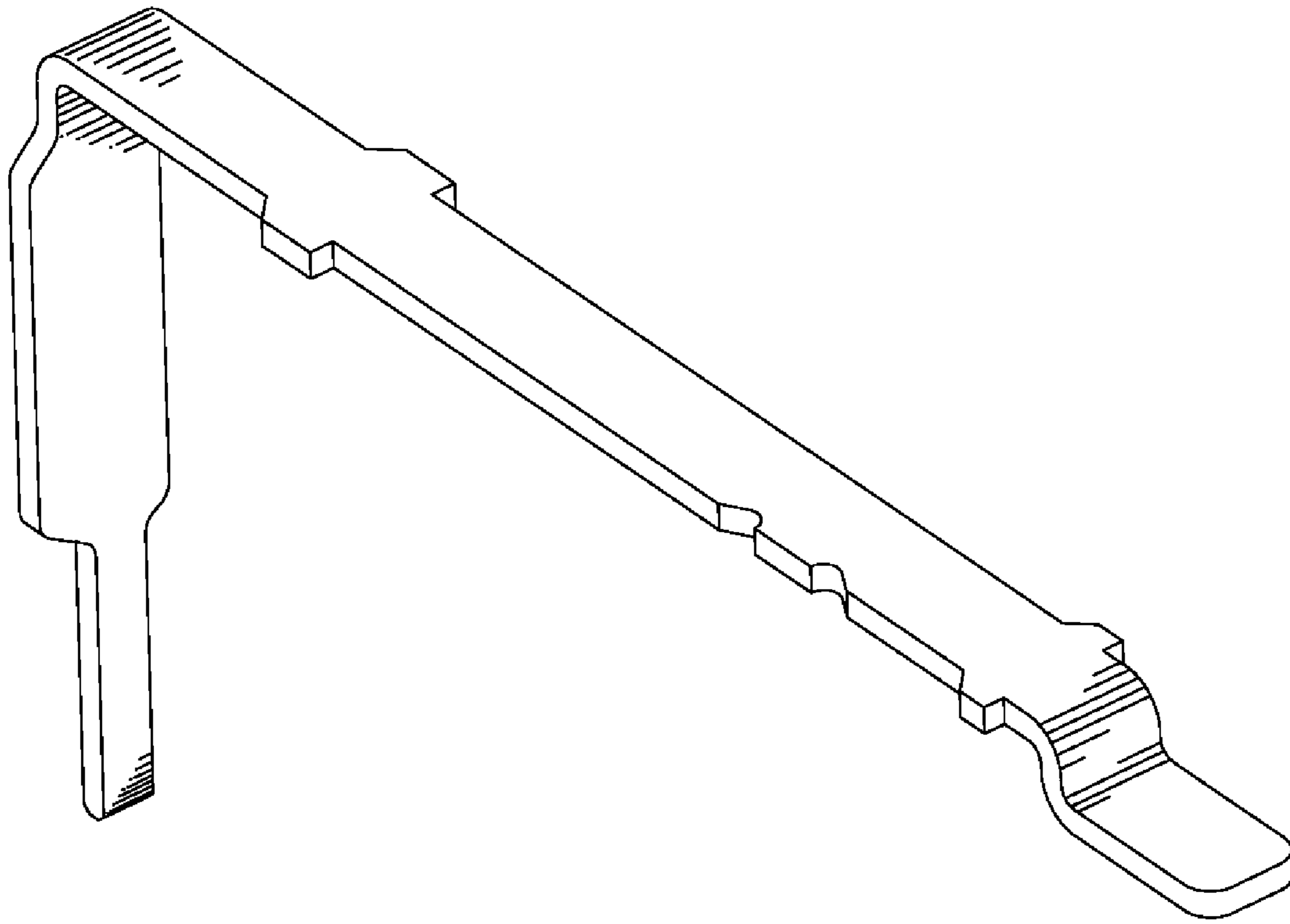


FIG. 1

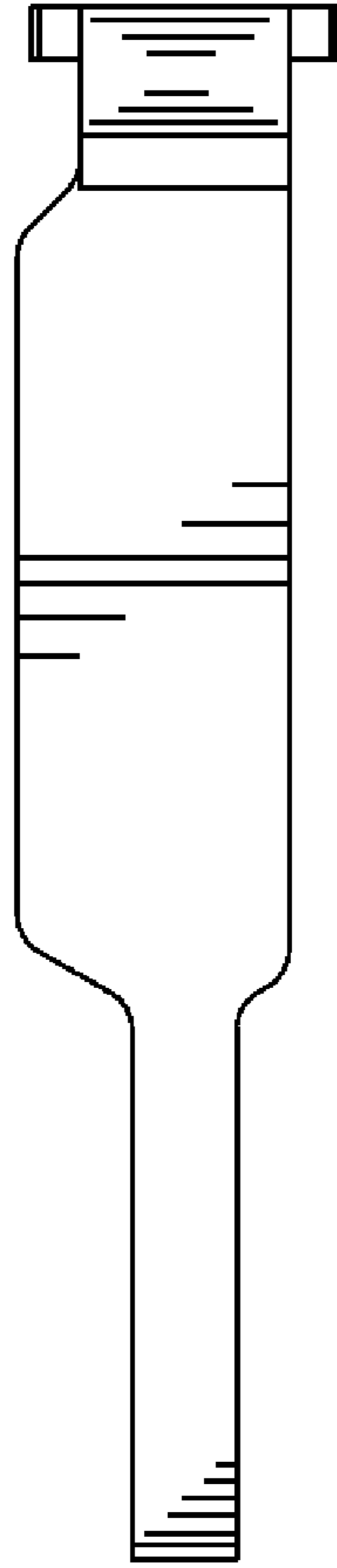


FIG. 2

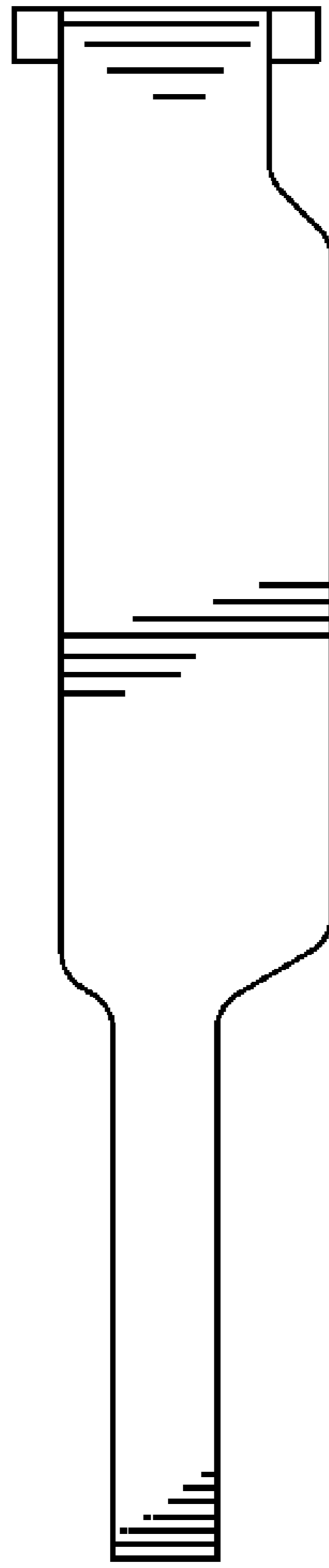


FIG. 3

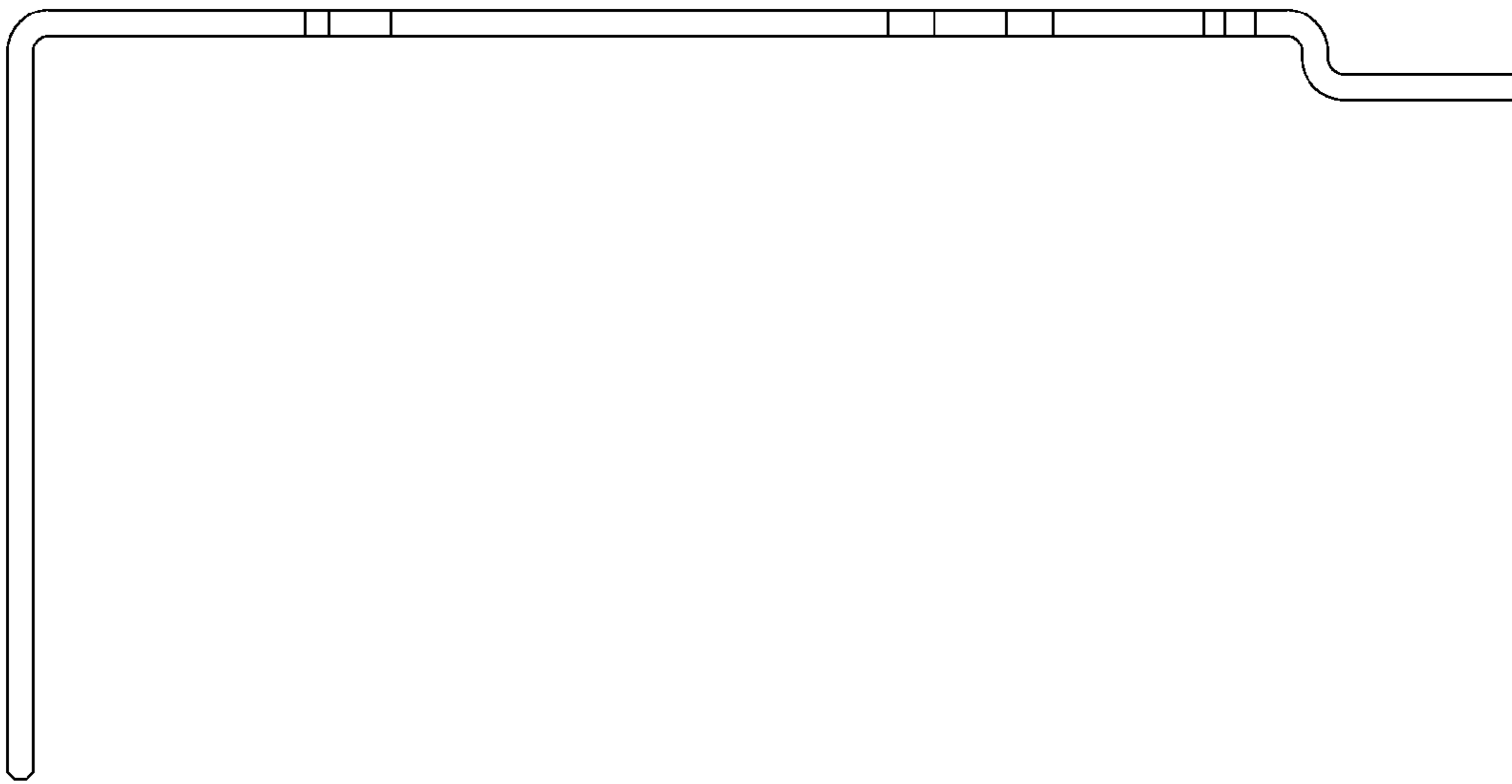


FIG. 4

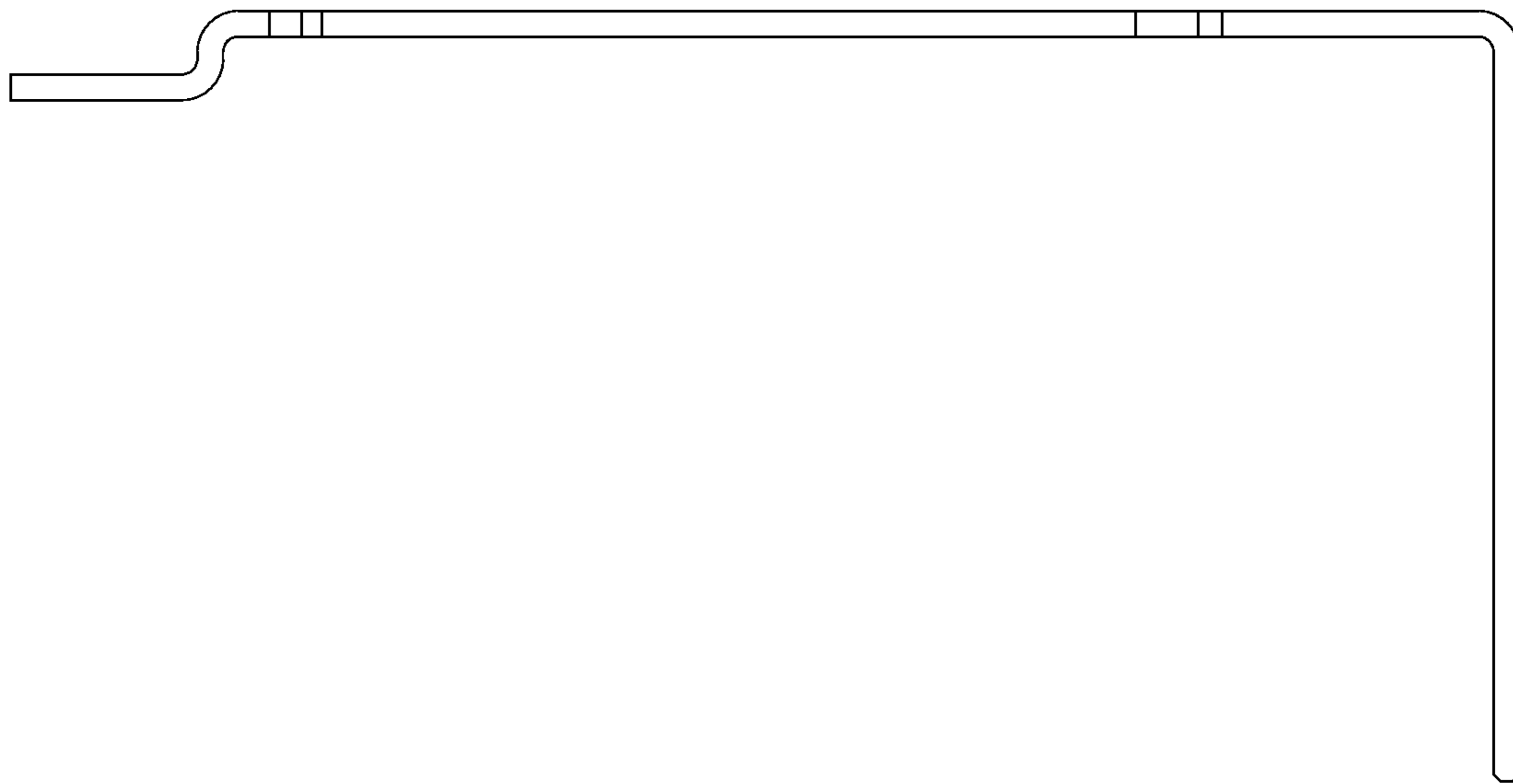


FIG. 5

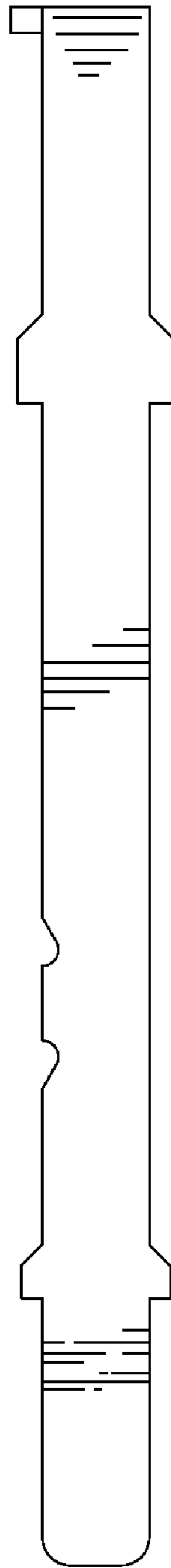


FIG. 6

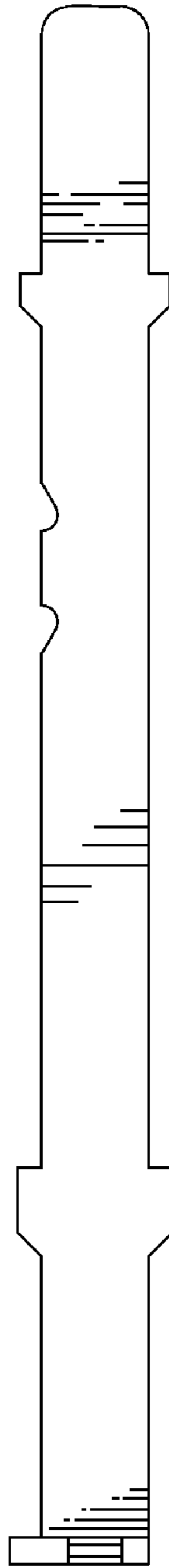


FIG. 7