



US00D622663S

(12) **United States Design Patent**
Panaccione et al.

(10) **Patent No.:** **US D622,663 S**

(45) **Date of Patent:** **** Aug. 31, 2010**

(54) **CONNECTOR FOR LED PACKAGE**

(75) Inventors: **Paul Panaccione**, Newburyport, MA (US); **Christian Hoepfner**, North Andover, MA (US); **Georgia Chmielewski**, Plaistow, NH (US)

(73) Assignee: **Luminus Devices, Inc.**, Billerica, MA (US)

(**) Term: **14 Years**

(21) Appl. No.: **29/285,461**

(22) Filed: **Mar. 29, 2007**

(51) **LOC (9) Cl.** **13-03**

(52) **U.S. Cl.** **D13/147; D13/180**

(58) **Field of Classification Search** D13/133, D13/147, 180; 257/79, 80, 81, 88, 89, 95, 257/98, 99, 100; 313/483, 498, 500; 362/555, 362/800; 361/719, 807; 439/65, 67, 157, 439/260, 325, 328

See application file for complete search history.

(56) **References Cited**

U.S. PATENT DOCUMENTS

3,803,533	A *	4/1974	Taplin	439/328
D349,886	S *	8/1994	Derouiche	D13/147
5,810,613	A *	9/1998	Ati et al.	439/157
6,515,858	B2 *	2/2003	Rodriguez et al.	361/695
D472,219	S *	3/2003	Miura	D13/147
6,733,301	B2 *	5/2004	Brown, III	439/65
6,914,261	B2 *	7/2005	Ho	257/79
7,081,645	B2	7/2006	Chen et al.		
7,105,861	B2	9/2006	Erchak et al.		
7,170,100	B2	1/2007	Erchak et al.		
D574,337	S *	8/2008	Panaccione et al.	D13/180

D576,968	S *	9/2008	Panaccione et al.	D13/180
2003/0086245	A1 *	5/2003	Wakabayashi et al.	361/719
2005/0287834	A1 *	12/2005	Nishimura et al.	439/67
2006/0055309	A1 *	3/2006	Ono et al.	313/492
2006/0089011	A1 *	4/2006	Marshall et al.	439/65
2007/0045640	A1	3/2007	Erchak et al.		
2007/0059964	A1 *	3/2007	Choy et al.	439/328
2007/0085082	A1 *	4/2007	Erchak et al.	257/79
2007/0090375	A1 *	4/2007	Kobilke	257/89
2007/0115556	A1	5/2007	Erchak et al.		
2007/0127225	A1 *	6/2007	Slaton	361/807
2007/0267642	A1	11/2007	Erchak et al.		

* cited by examiner

Primary Examiner—Selina Sikder

(74) Attorney, Agent, or Firm—Wolf, Greenfield & Sacks, P.C.

(57) **CLAIM**

The ornamental design for a connector for LED package, as shown and described.

DESCRIPTION

FIG. 1 is a side, top, perspective view of the connector for LED package with all elements except for an electrical connector shown in phantom;

FIG. 2 is a top view thereof;

FIG. 3 is a side side view;

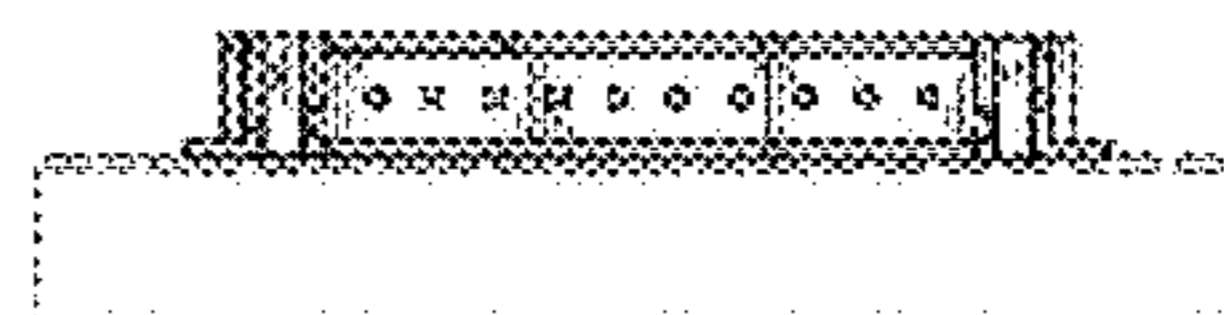
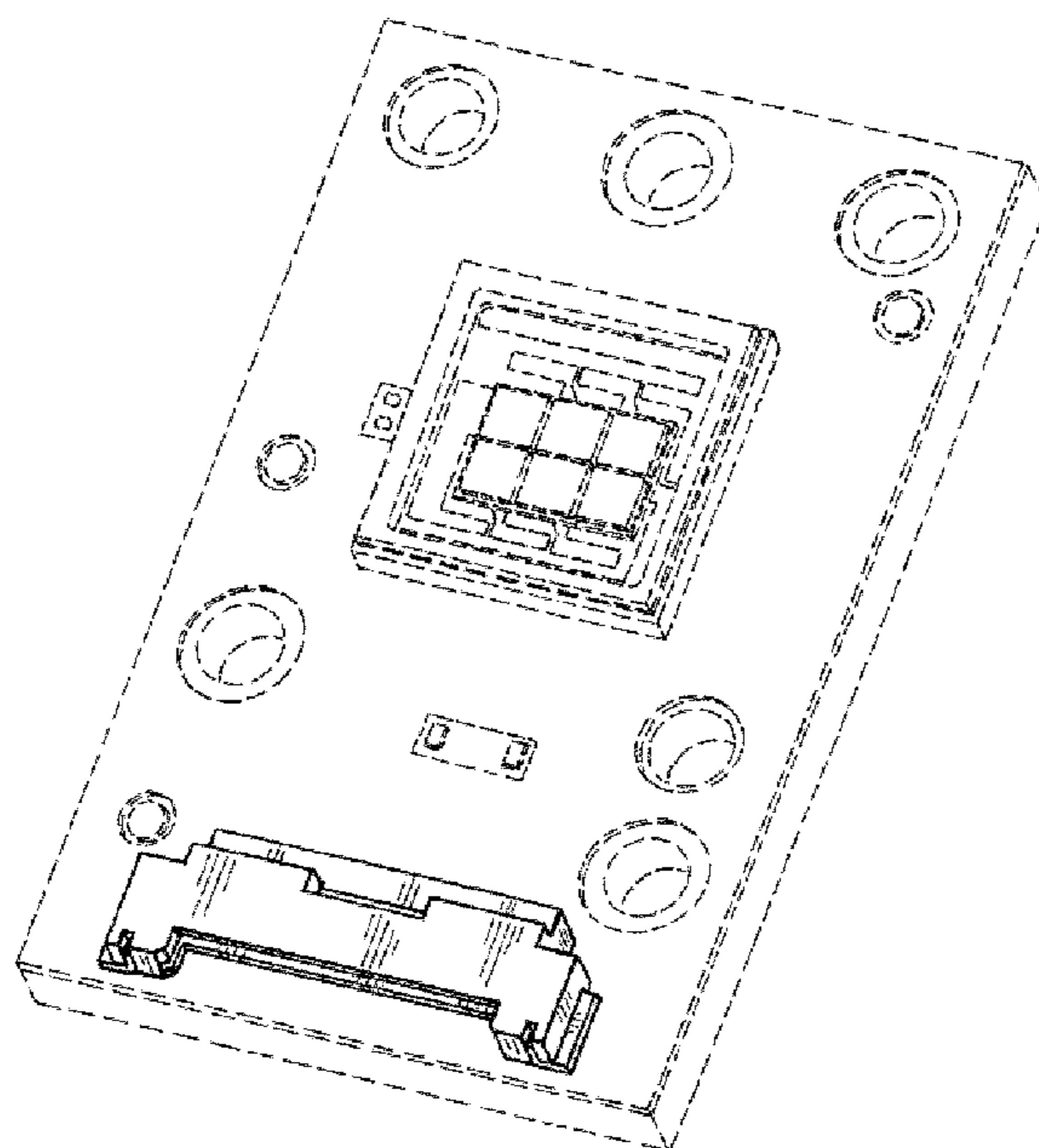
FIG. 4 is a left side view;

FIG. 5 is a front view; and,

FIG. 6 is rear view.

The broken lines showing of portions of the LED package is for illustrative purposes only and forms no part of the claimed design.

1 Claim, 2 Drawing Sheets



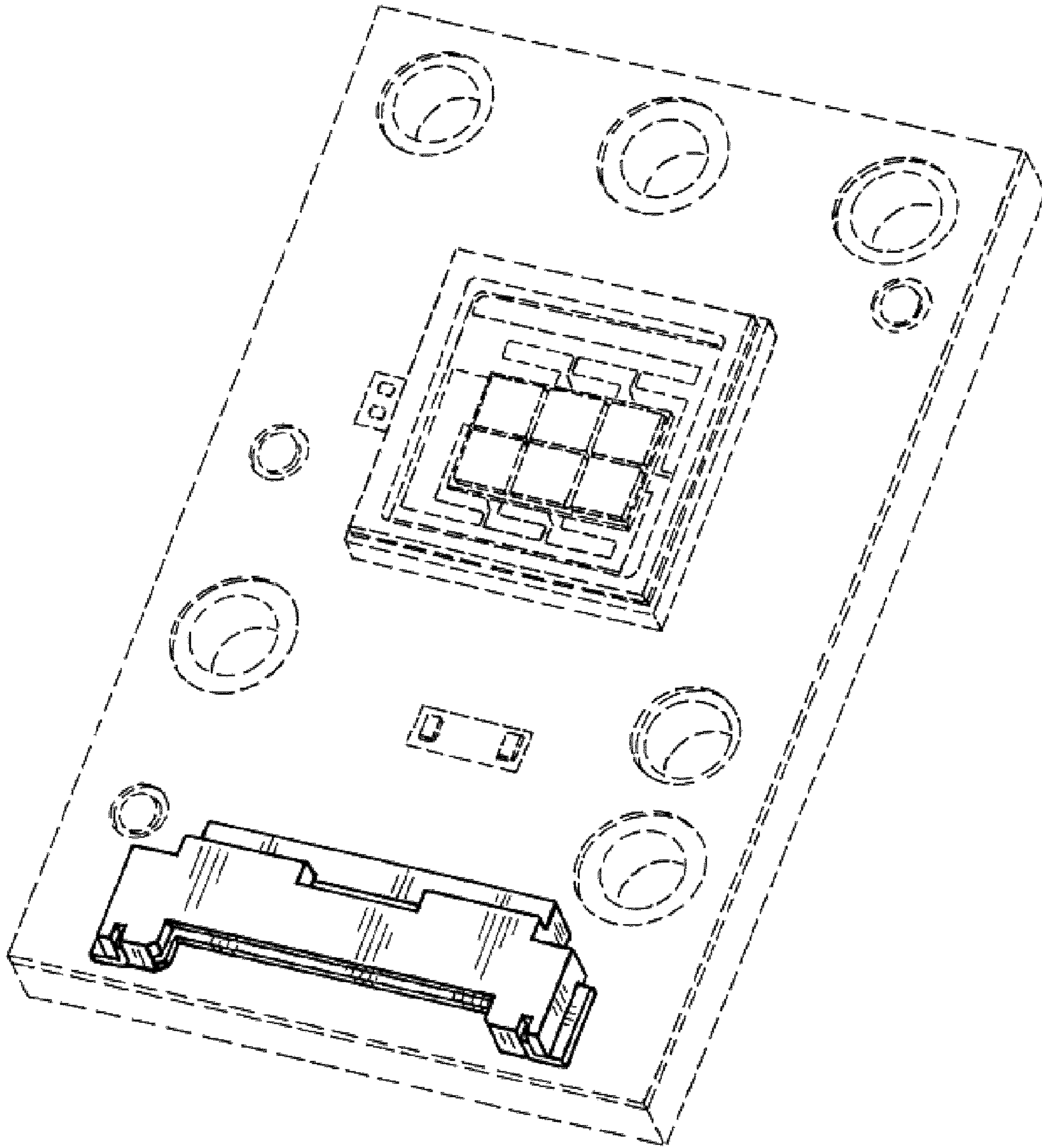


Fig. 1

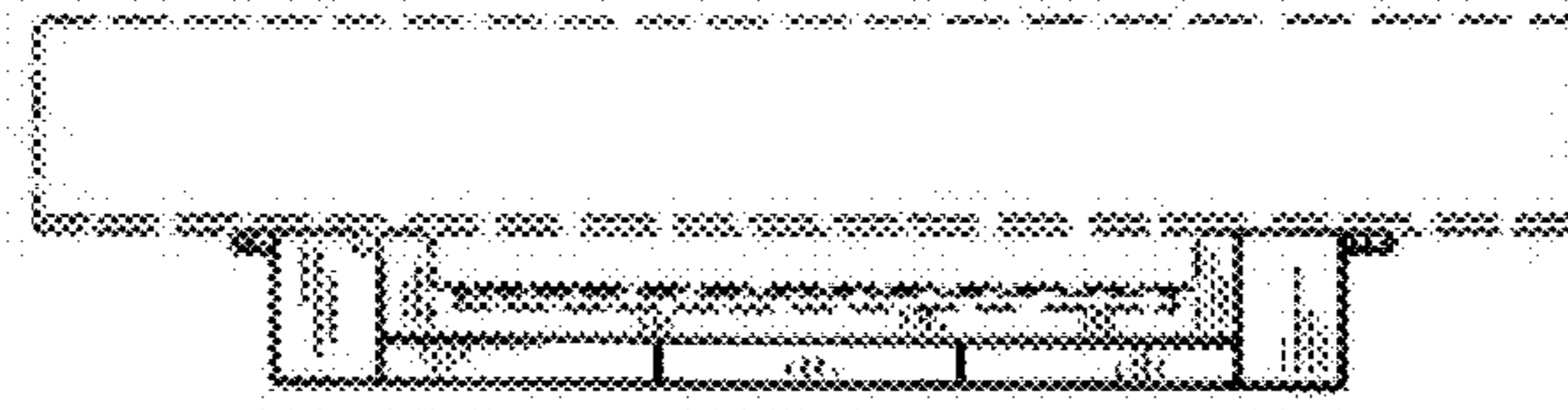


Fig. 5

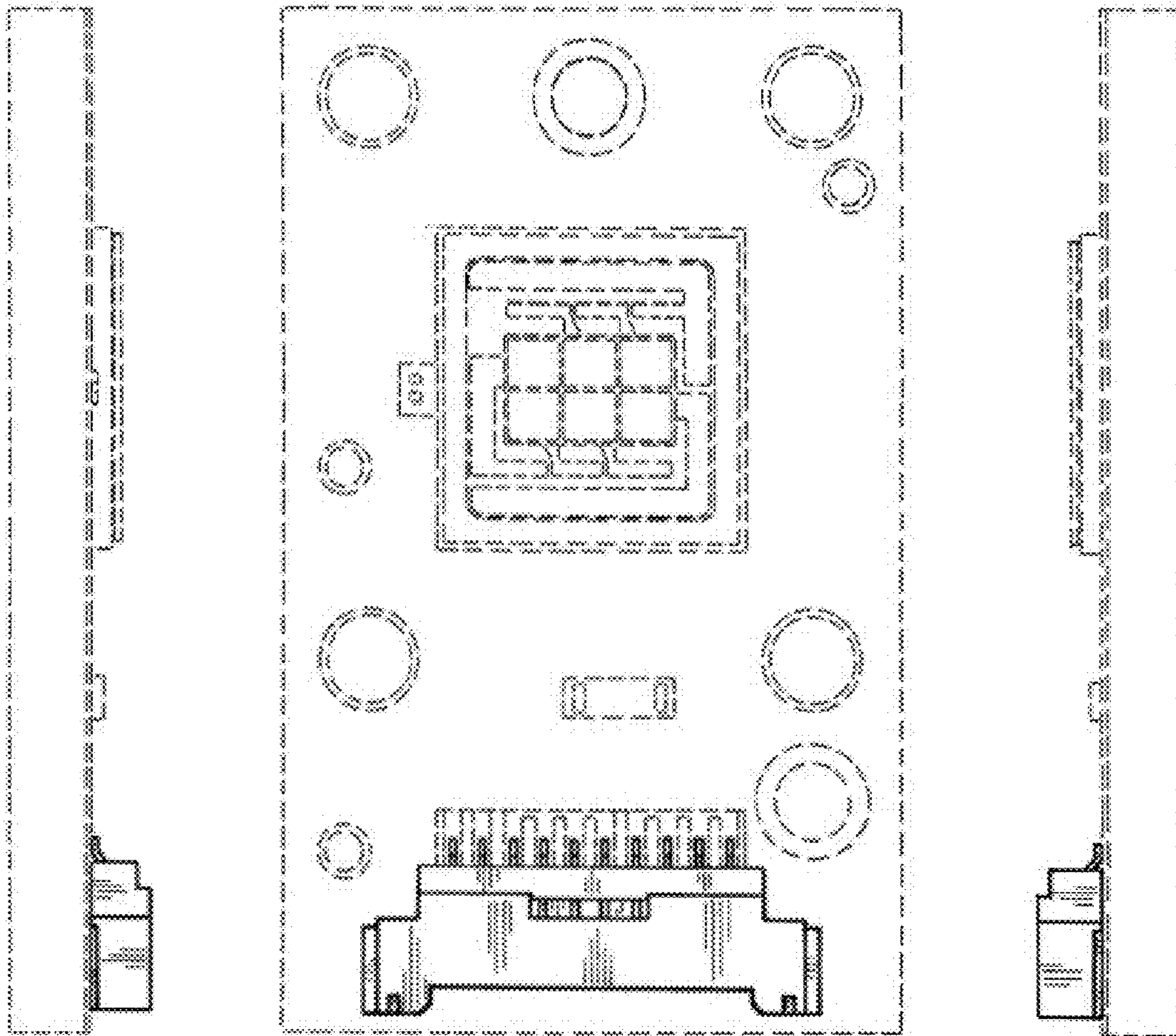


Fig. 2

Fig. 3

Fig. 4

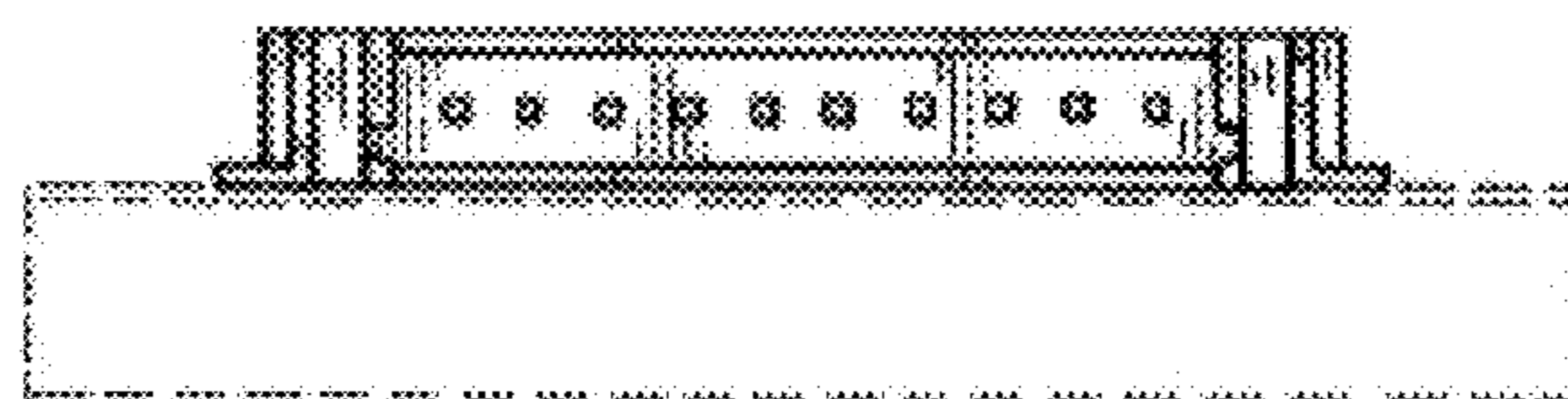


Fig. 6