



US00D622662S

(12) **United States Design Patent**  
**Sartler et al.**

(10) **Patent No.:** **US D622,662 S**  
(45) **Date of Patent:** **\*\* Aug. 31, 2010**

(54) **LIGHT TOWER**

(75) Inventors: **Ronald R. Sartler**, West Bend, WI (US);  
**Dale Di Iulio**, Saukville, WI (US); **Jason R. Alberti**, Pewaukee, WI (US)

(73) Assignee: **Wacker Neuson Corporation**,  
Menomonee Falls, WI (US)

(\*\*) Term: **14 Years**

(21) Appl. No.: **29/284,015**

(22) Filed: **Aug. 29, 2007**

(51) **LOC (9) Cl.** ..... **13-02**

(52) **U.S. Cl.** ..... **D13/122; D26/140**

(58) **Field of Classification Search** ..... D13/110,  
D13/112, 114, 116, 122, 184, 199; D3/272,  
D3/273, 279; D12/101, 102, 106, 410, 412,  
D12/413; D26/51, 67, 69, 140; 52/111,  
52/116, 118, 121; 290/1 A, 1 B; 362/154,  
362/156, 157, 192, 193, 233, 238, 269, 287,  
362/382, 403, 418, 427

See application file for complete search history.

(56) **References Cited**

**U.S. PATENT DOCUMENTS**

D210,937 S \* 5/1968 Clark ..... D12/101  
5,168,680 A \* 12/1992 Matlock ..... 52/118  
D343,768 S \* 2/1994 Cautereels et al. .... D7/629  
5,524,398 A \* 6/1996 Miller et al. .... 52/121

5,611,177 A \* 3/1997 Herbstritt ..... 52/111  
D382,853 S \* 8/1997 Crawford ..... D13/112  
D399,595 S \* 10/1998 Miller et al. .... D26/140  
D414,461 S \* 9/1999 Wang ..... D13/116  
D416,858 S \* 11/1999 Domanski ..... D13/114  
D425,301 S \* 5/2000 Sagol ..... D3/279  
D458,220 S \* 6/2002 Vetter ..... D13/110  
6,517,225 B1 \* 2/2003 Allen et al. .... 362/485

\* cited by examiner

*Primary Examiner*—Prabhakar Deshmukh

*Assistant Examiner*—Derrick Holland

(74) *Attorney, Agent, or Firm*—Boyle Fredrickson, S.C.

(57) **CLAIM**

The ornamental design for a light tower, as shown and described.

**DESCRIPTION**

FIG. 1 is a left side elevation view of a light tower incorporating our new design, with the right side being a mirror image thereof;

FIG. 2 is a front elevation view thereof;

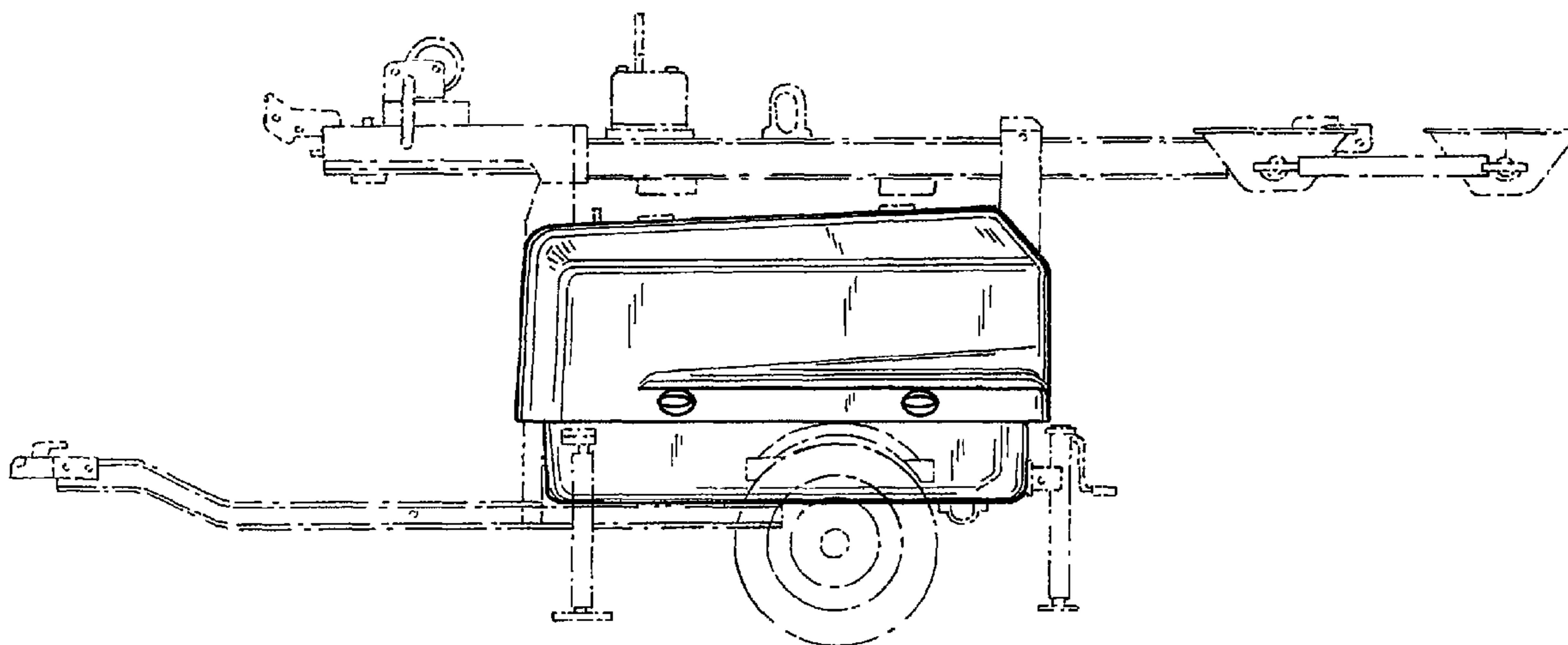
FIG. 3 is a rear elevation view thereof;

FIG. 4 is a top plan view thereof; and,

FIG. 5 is a bottom plan view thereof.

The broken lines in FIGS. 1-5 show the environmental structure only and form no part of the claimed design.

**1 Claim, 4 Drawing Sheets**



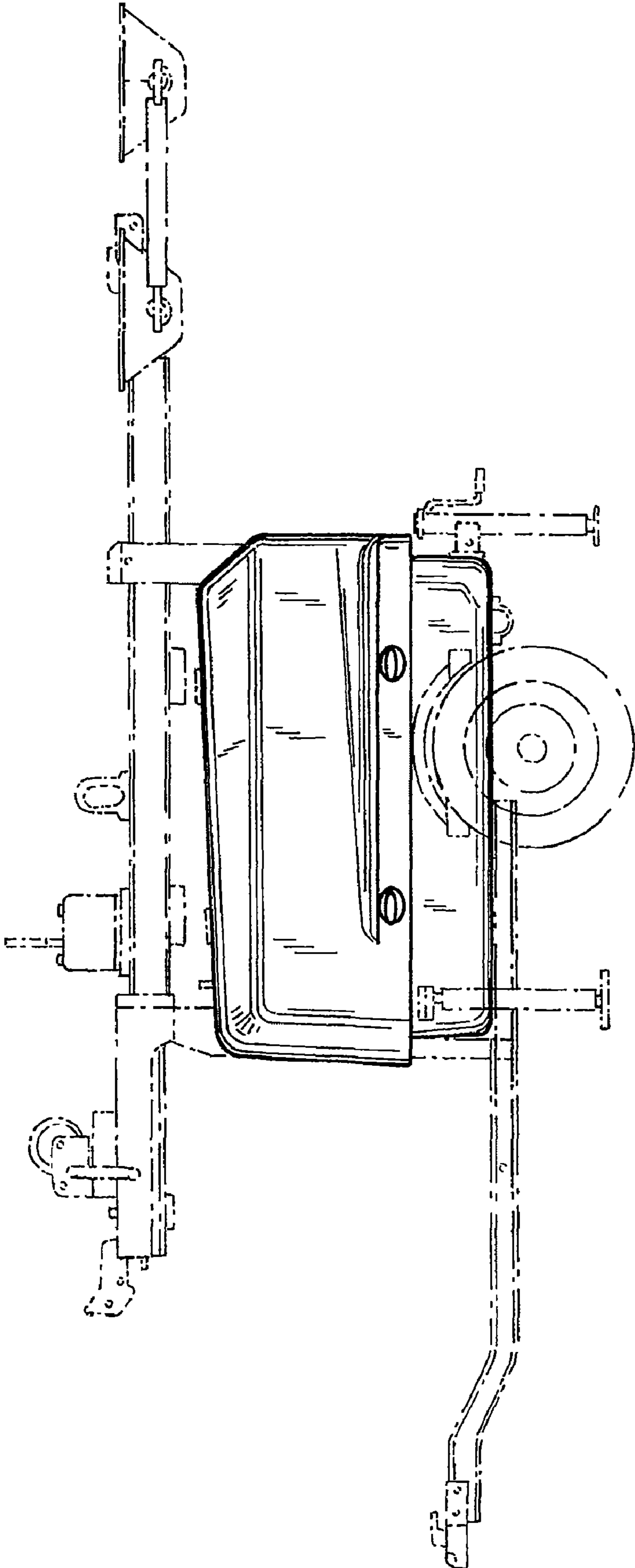


FIG. 1

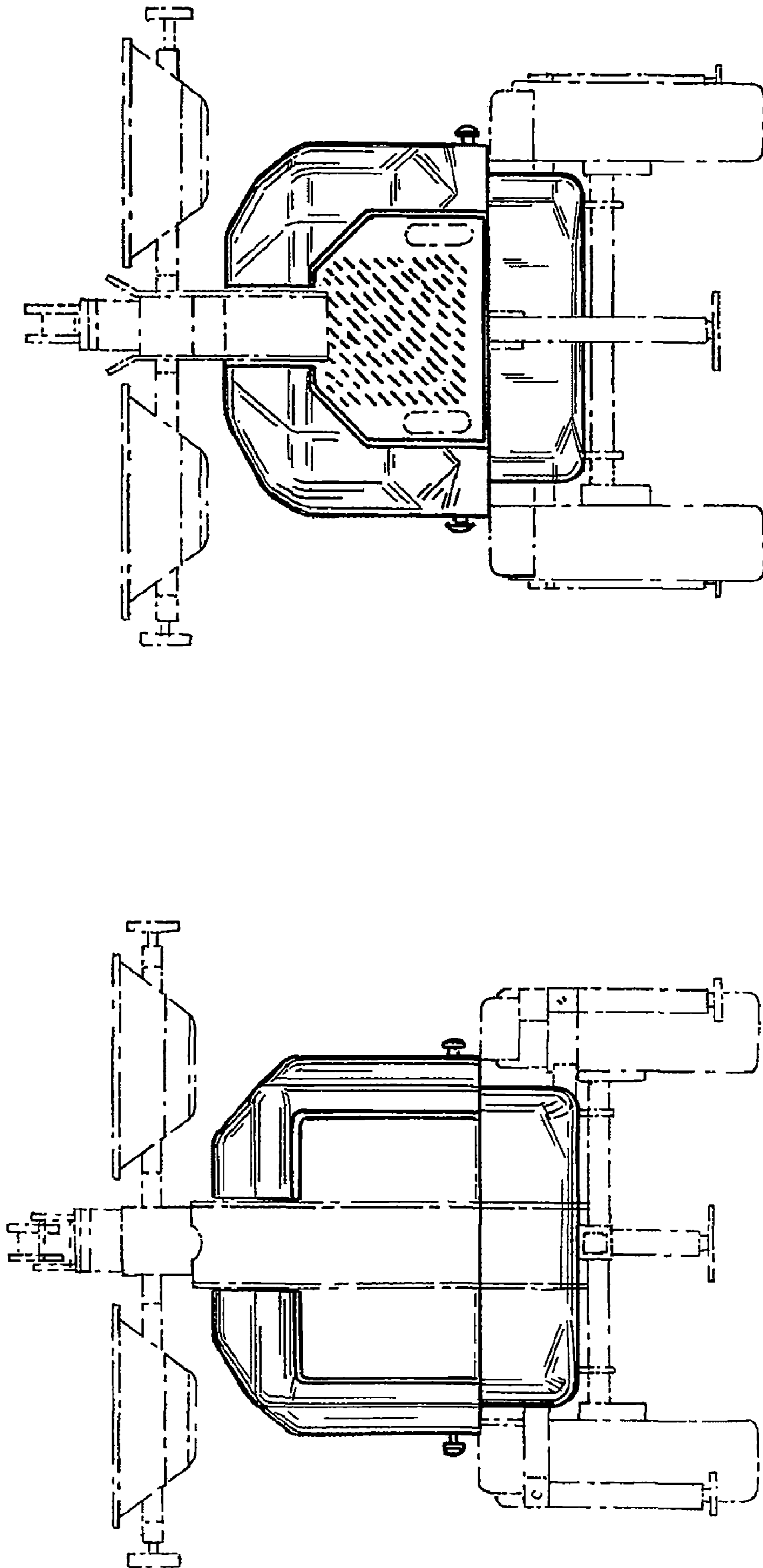


FIG. 3

FIG. 2

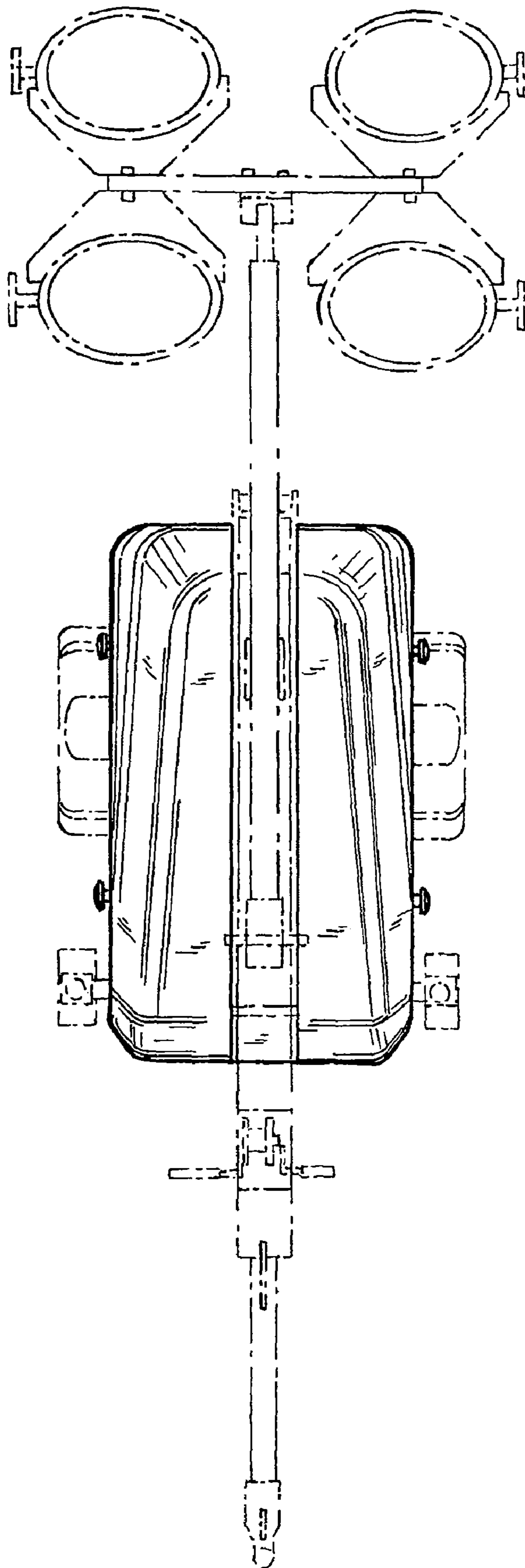


FIG. 4

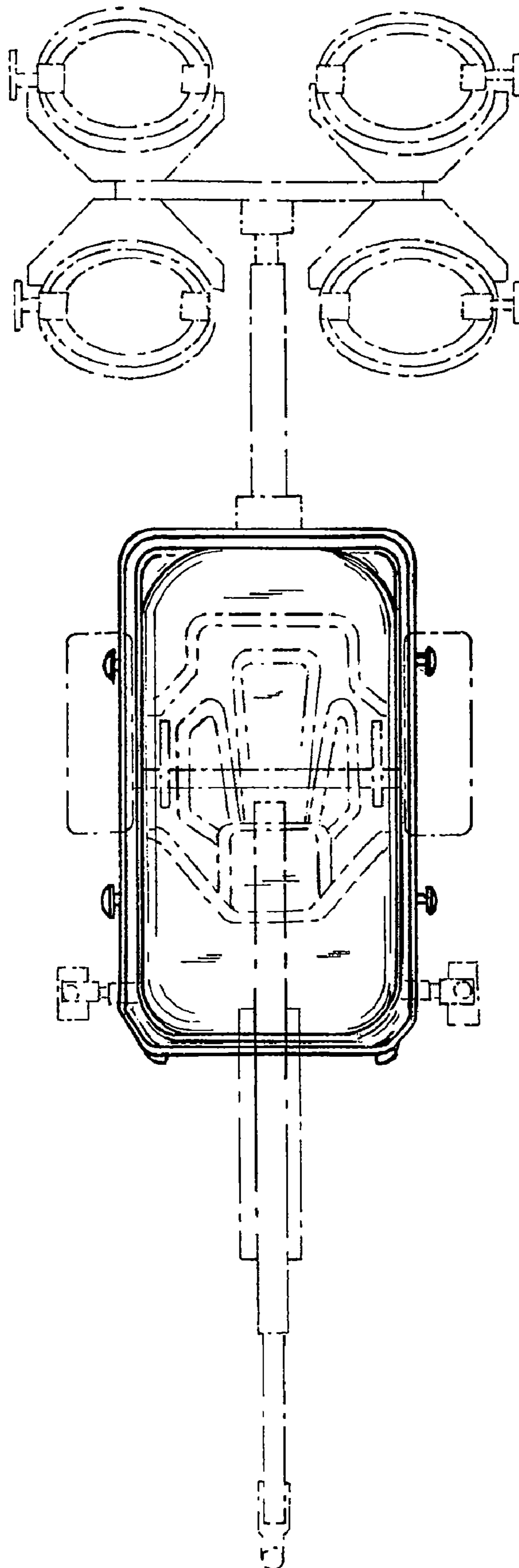


FIG. 5