



US00D622661S

(12) **United States Design Patent**
Yamada et al.

(10) **Patent No.:** **US D622,661 S**

(45) **Date of Patent:** **** Aug. 31, 2010**

(54) **BATTERY PACK**

(75) Inventors: **Kenichi Yamada**, Hitachinaka (JP);
Tomoyuki Kawahara, Hitachinaka (JP);
Toshio Mizoguchi, Hitachinaka (JP)

(73) Assignee: **Hitachi Koki Co., Ltd.**, Tokyo (JP)

(**) Term: **14 Years**

(21) Appl. No.: **29/353,470**

(22) Filed: **Jan. 8, 2010**

(30) **Foreign Application Priority Data**

Jul. 9, 2009 (JP) 2009-015753

(51) **LOC (9) Cl.** **13-02**

(52) **U.S. Cl.** **D13/103**

(58) **Field of Classification Search** D13/102-106,
D13/110, 118-119, 184, 199; 429/96-100,
429/163, 176

See application file for complete search history.

(56) **References Cited**

U.S. PATENT DOCUMENTS

D436,917 S * 1/2001 Hayakawa et al. D13/103
D477,811 S * 7/2003 Niwa et al. D13/103
D481,672 S * 11/2003 Niwa et al. D13/103
D512,961 S * 12/2005 Okuda et al. D13/103
D516,504 S * 3/2006 Okuda et al. D13/103
D523,807 S * 6/2006 Murayama et al. D13/103
D535,250 S * 1/2007 Watson D13/103
D555,086 S * 11/2007 Zhang D13/103
D562,227 S * 2/2008 Yamada et al. D13/103

D562,228 S * 2/2008 Okada et al. D13/103
D568,239 S * 5/2008 Okada et al. D13/103
D589,439 S * 3/2009 Van Wambeke D13/103
D589,441 S * 3/2009 Van Wambeke D13/103
D597,931 S * 8/2009 Aglassinger D13/103
D597,932 S * 8/2009 Aglassinger D13/103
D604,694 S * 11/2009 Aglassinger D13/103
D604,695 S * 11/2009 Aglassinger D13/103
D606,935 S * 12/2009 Murayama et al. D13/103
D607,814 S * 1/2010 Tsuzuki et al. D13/103

* cited by examiner

Primary Examiner—Rosemary K Tarcza

(74) *Attorney, Agent, or Firm*—McDermott Will & Emery LLP

(57) **CLAIM**

The ornamental design for a battery pack, as shown and described.

DESCRIPTION

FIG. 1 is a perspective view of top, rear and left side of a battery pack showing our new design;

FIG. 2 is a front view thereof;

FIG. 3 is a rear view thereof;

FIG. 4 is a left side view thereof;

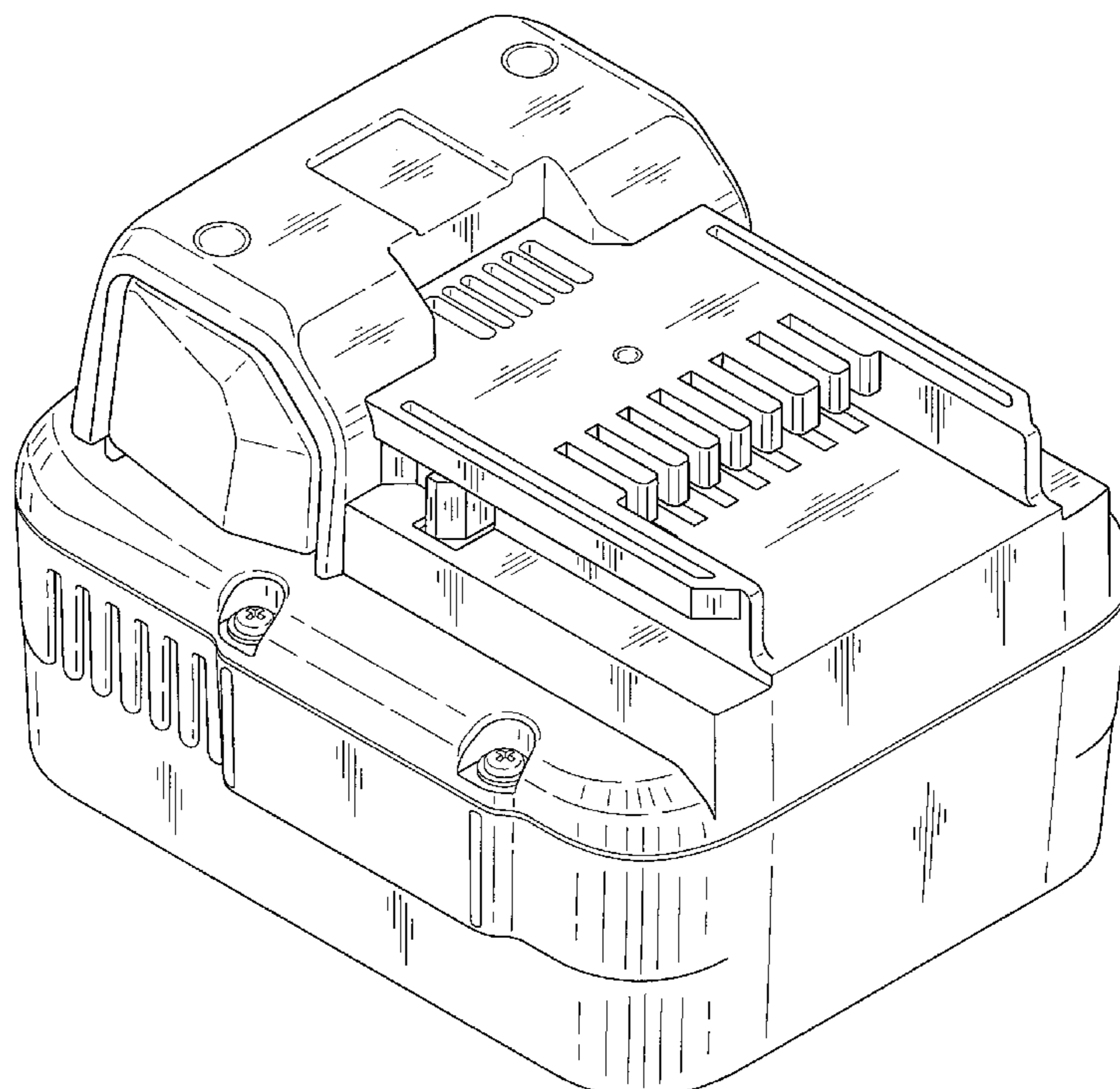
FIG. 5 is a right side view thereof;

FIG. 6 is a top plan view thereof; and,

FIG. 7 is a bottom view thereof.

The portion of the article in broken lines are shown for illustrative purposes only and form no part of the claimed design.

1 Claim, 5 Drawing Sheets



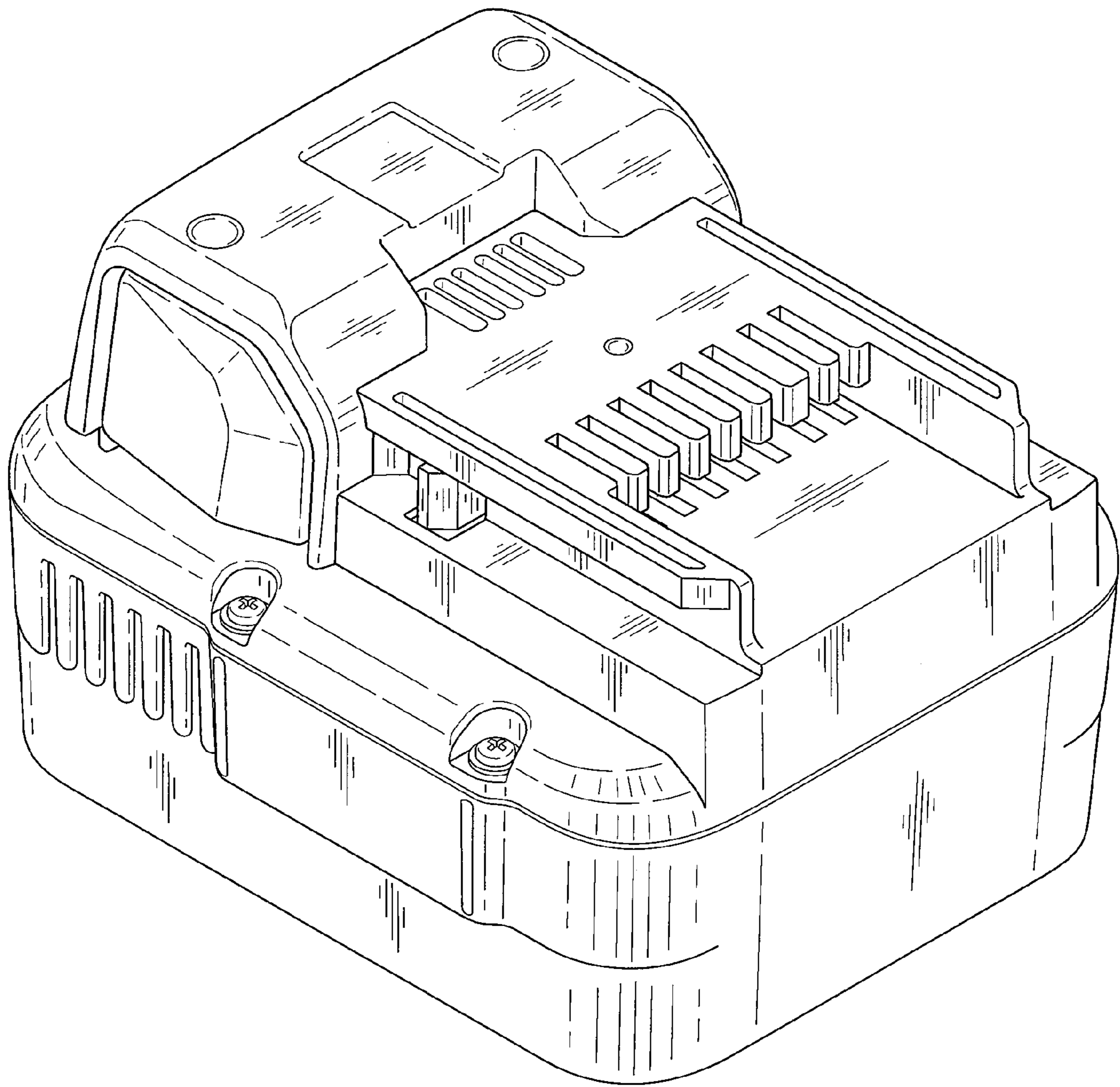


FIG. 1

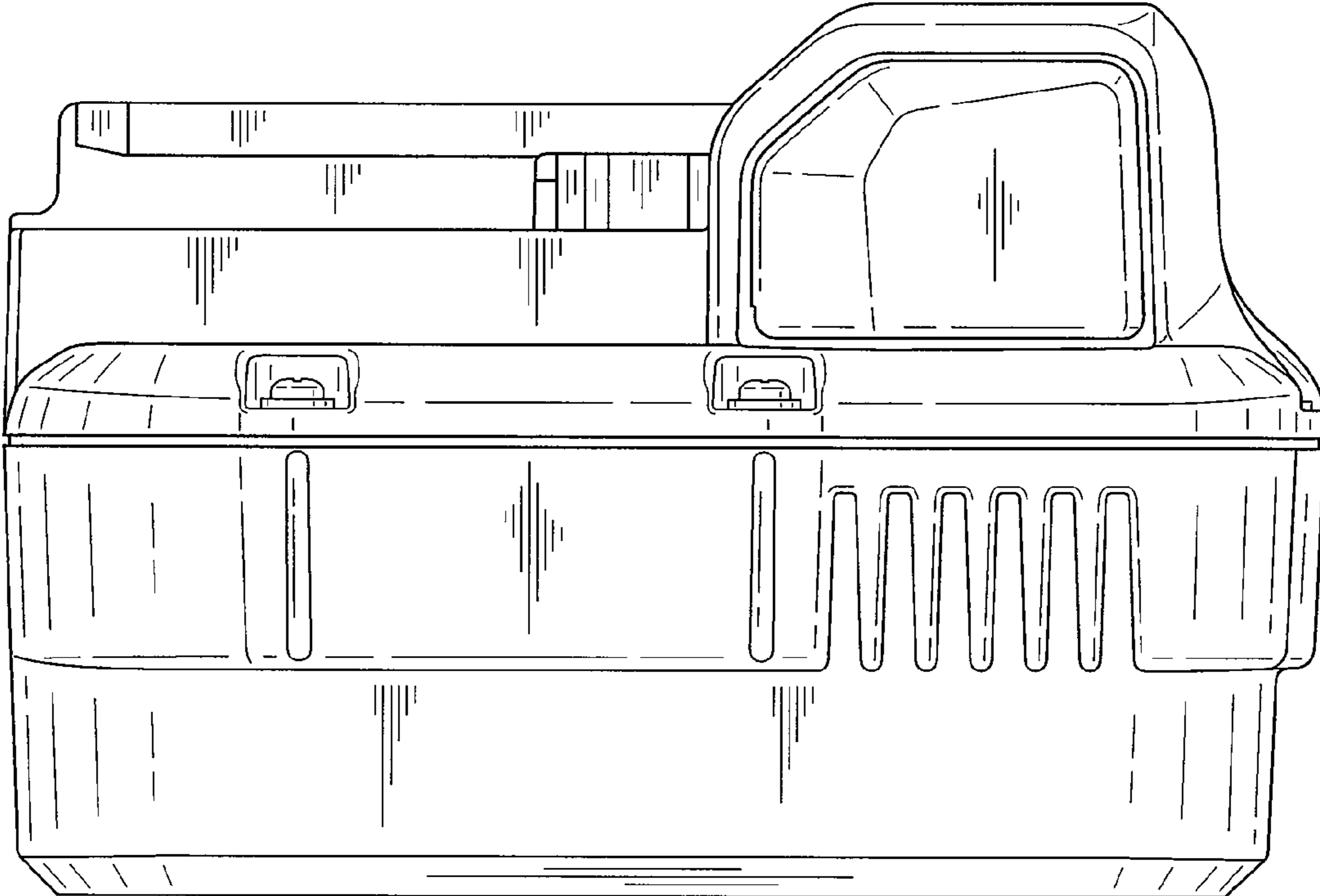


FIG. 2

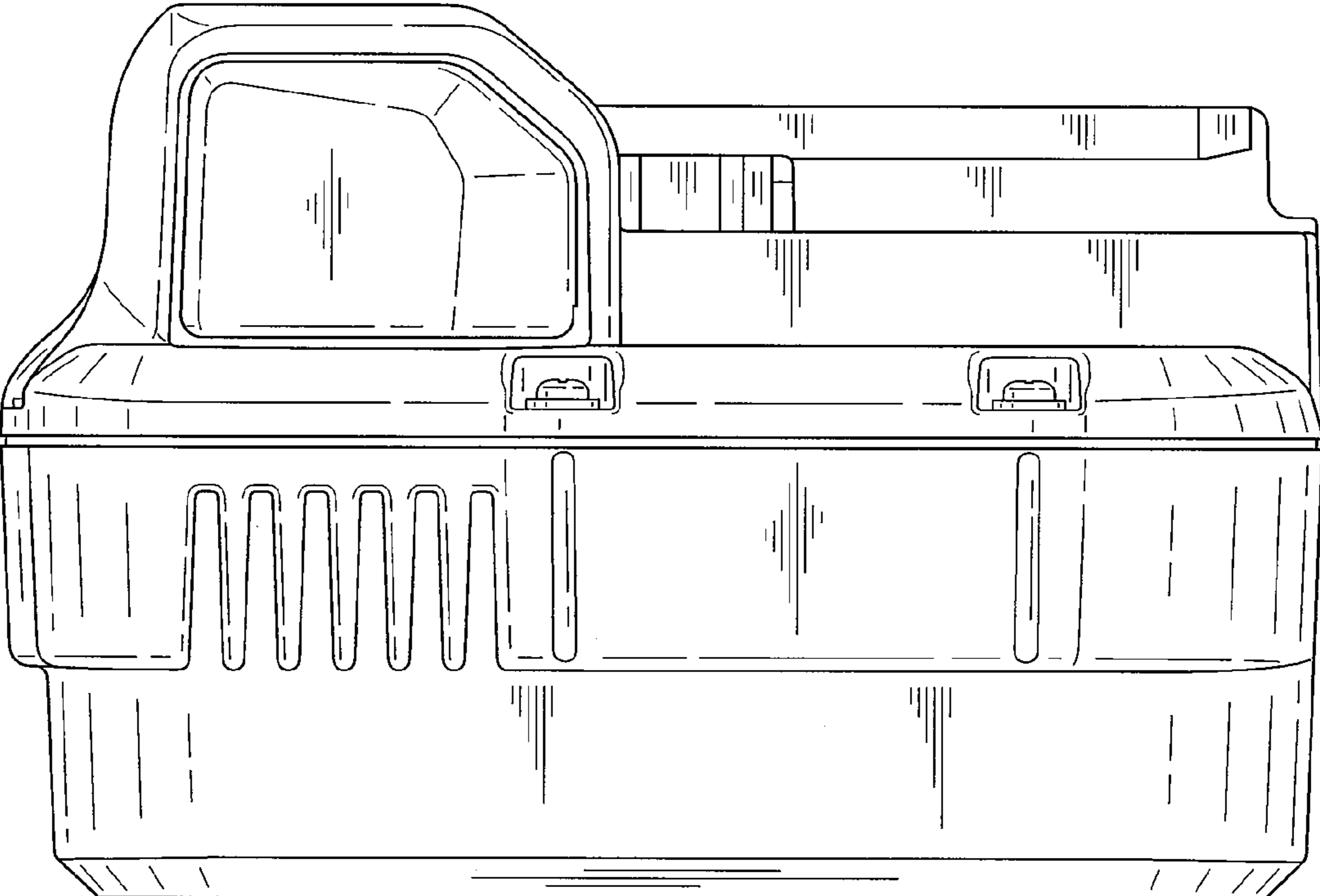


FIG. 3

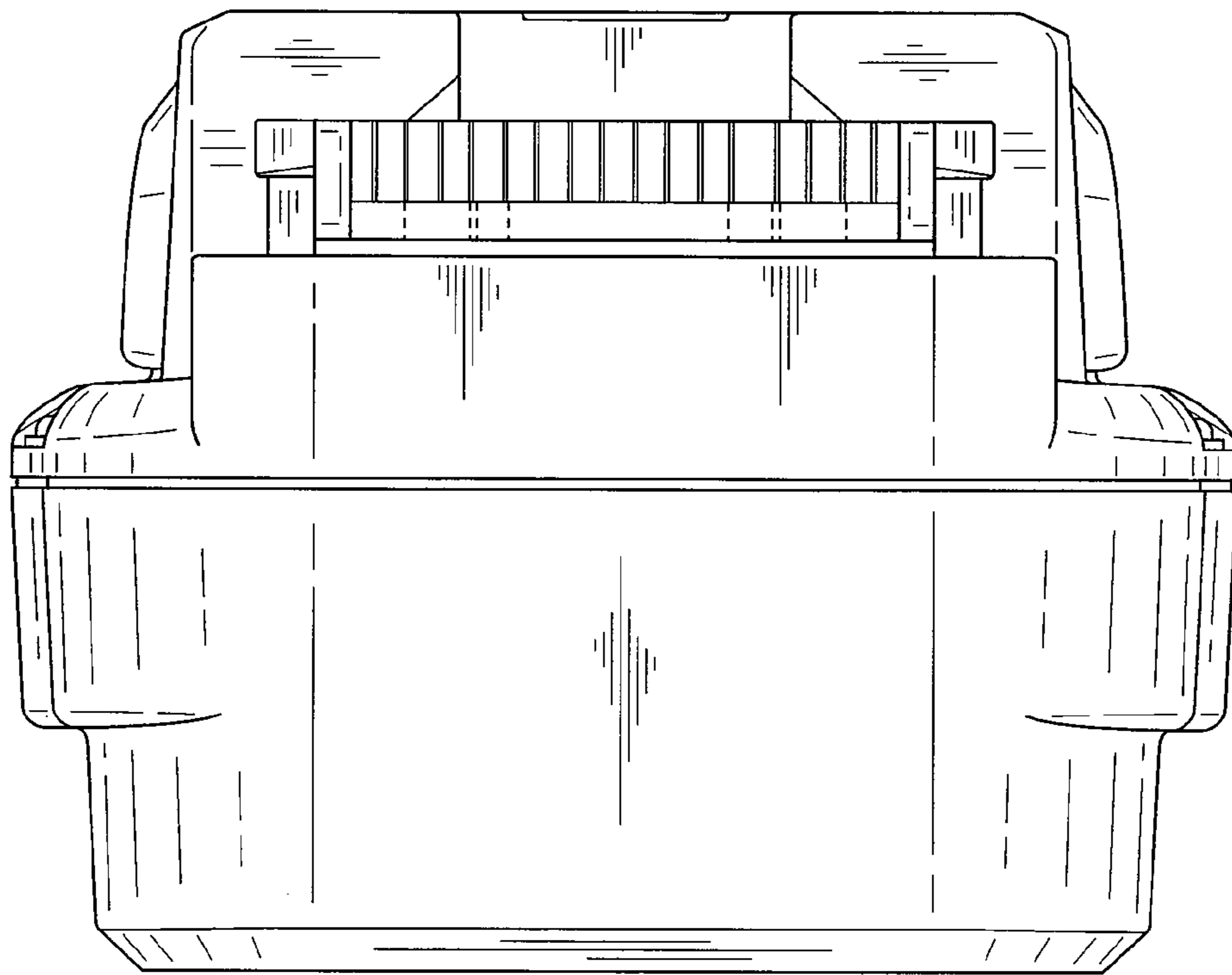


FIG. 4

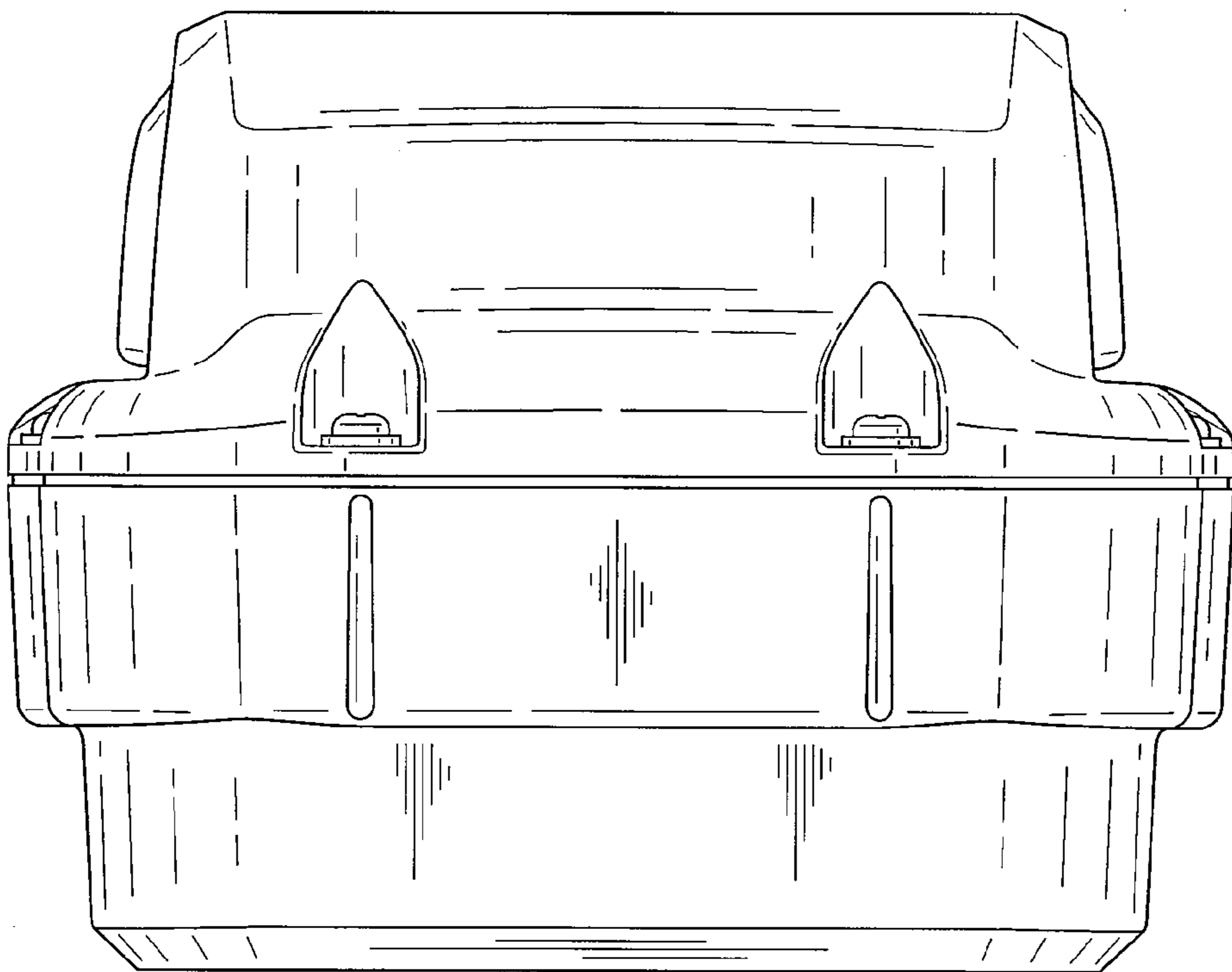


FIG. 5

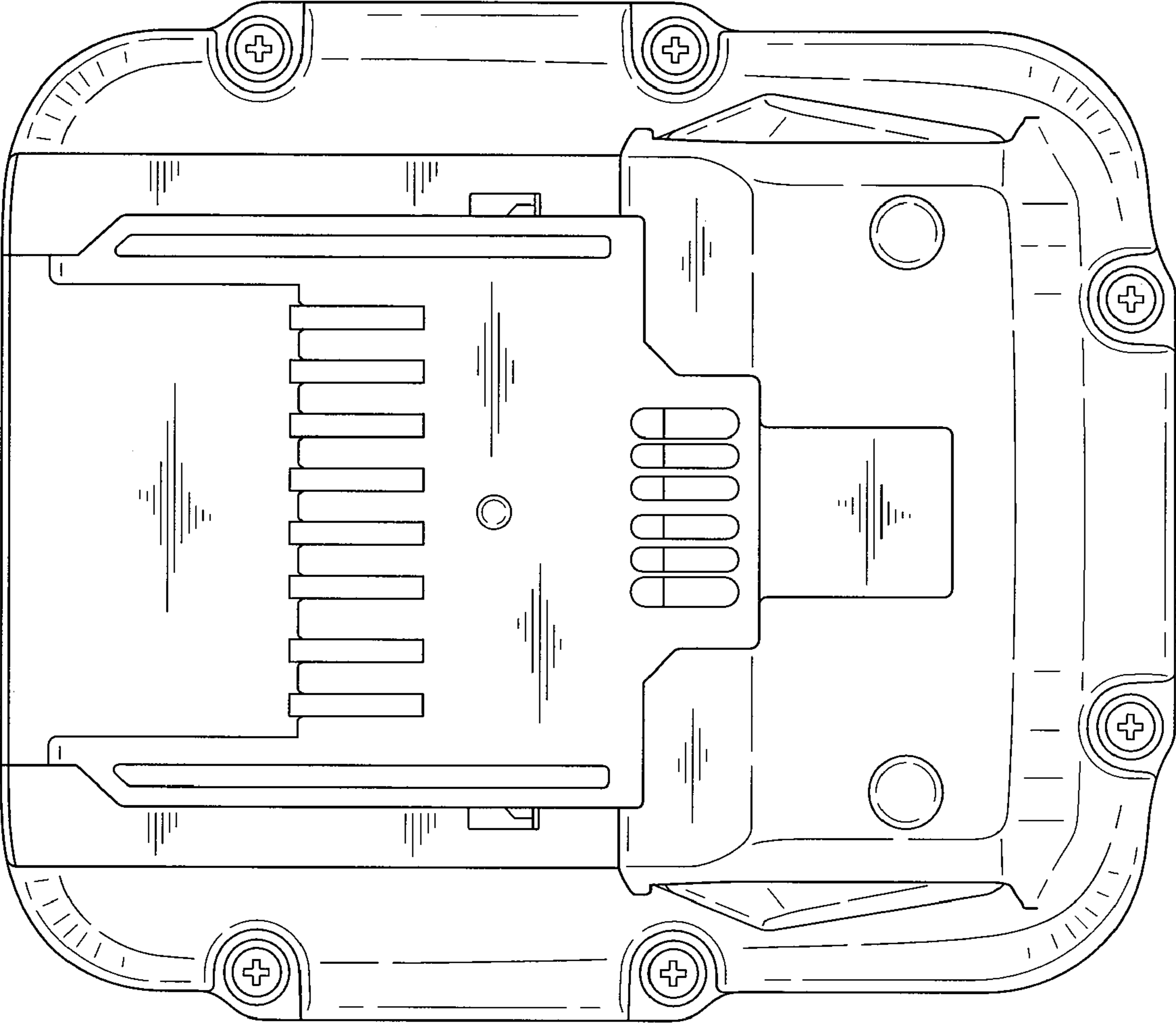


FIG. 6

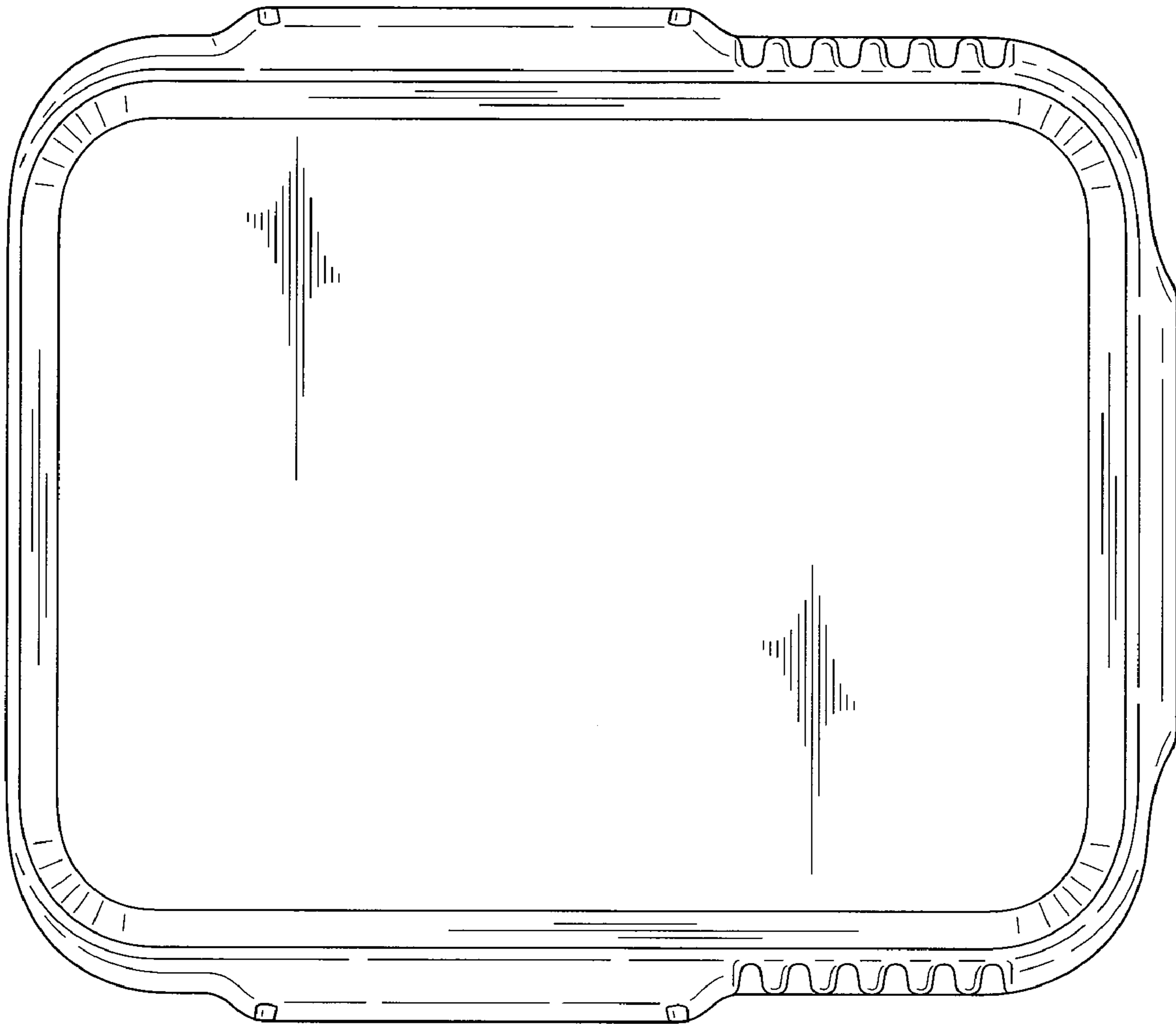


FIG. 7