



US00D622660S

(12) **United States Design Patent**  
**Taniguchi et al.**

(10) **Patent No.:** **US D622,660 S**

(45) **Date of Patent:** **\*\* Aug. 31, 2010**

(54) **BATTERY PACK**

(75) Inventors: **Takeshi Taniguchi**, Hitachinaka (JP);  
**Masanori Okada**, Hitachinaka (JP);  
**Takuhiko Murakami**, Hitachinaka (JP)

(73) Assignee: **Hitachi Koki Co., Ltd.**, Tokyo (JP)

(\*\*) Term: **14 Years**

(21) Appl. No.: **29/352,320**

(22) Filed: **Dec. 18, 2009**

(30) **Foreign Application Priority Data**

Jun. 19, 2009 (JP) ..... 2009-013988

(51) **LOC (9) Cl.** ..... **13-02**

(52) **U.S. Cl.** ..... **D13/103**

(58) **Field of Classification Search** ..... D13/102–106,  
D13/110, 118–119, 184, 199; 429/96–100,  
429/163, 176

See application file for complete search history.

(56) **References Cited**

**U.S. PATENT DOCUMENTS**

D397,991 S \* 9/1998 Kawakami et al. .... D13/103  
D412,485 S \* 8/1999 Kato et al. .... D13/103  
D417,648 S \* 12/1999 Clowers et al. .... D13/103  
D432,077 S \* 10/2000 Zurwelle et al. .... D13/103  
D474,445 S \* 5/2003 Matsuoka et al. .... D13/103  
D504,111 S \* 4/2005 Ozawa et al. .... D13/103

D504,394 S \* 4/2005 Cheung et al. .... D13/103  
D530,270 S \* 10/2006 Ozawa et al. .... D13/103  
D544,436 S \* 6/2007 Kawahara et al. .... D13/103  
D553,562 S \* 10/2007 Okada et al. .... D13/103  
D575,224 S \* 8/2008 Taniguchi et al. .... D13/103  
D579,868 S \* 11/2008 Harrison ..... D13/103  
D580,353 S \* 11/2008 Harrison et al. .... D13/103

\* cited by examiner

*Primary Examiner*—Rosemary K Tarca

(74) *Attorney, Agent, or Firm*—McDermott Will & Emery  
LLP

(57) **CLAIM**

The ornamental design for a battery pack, as shown and described.

**DESCRIPTION**

FIG. 1 is a perspective view of top, front and left side of a battery pack showing our new design;

FIG. 2 is a front view thereof;

FIG. 3 is a rear view thereof;

FIG. 4 is a left side view thereof;

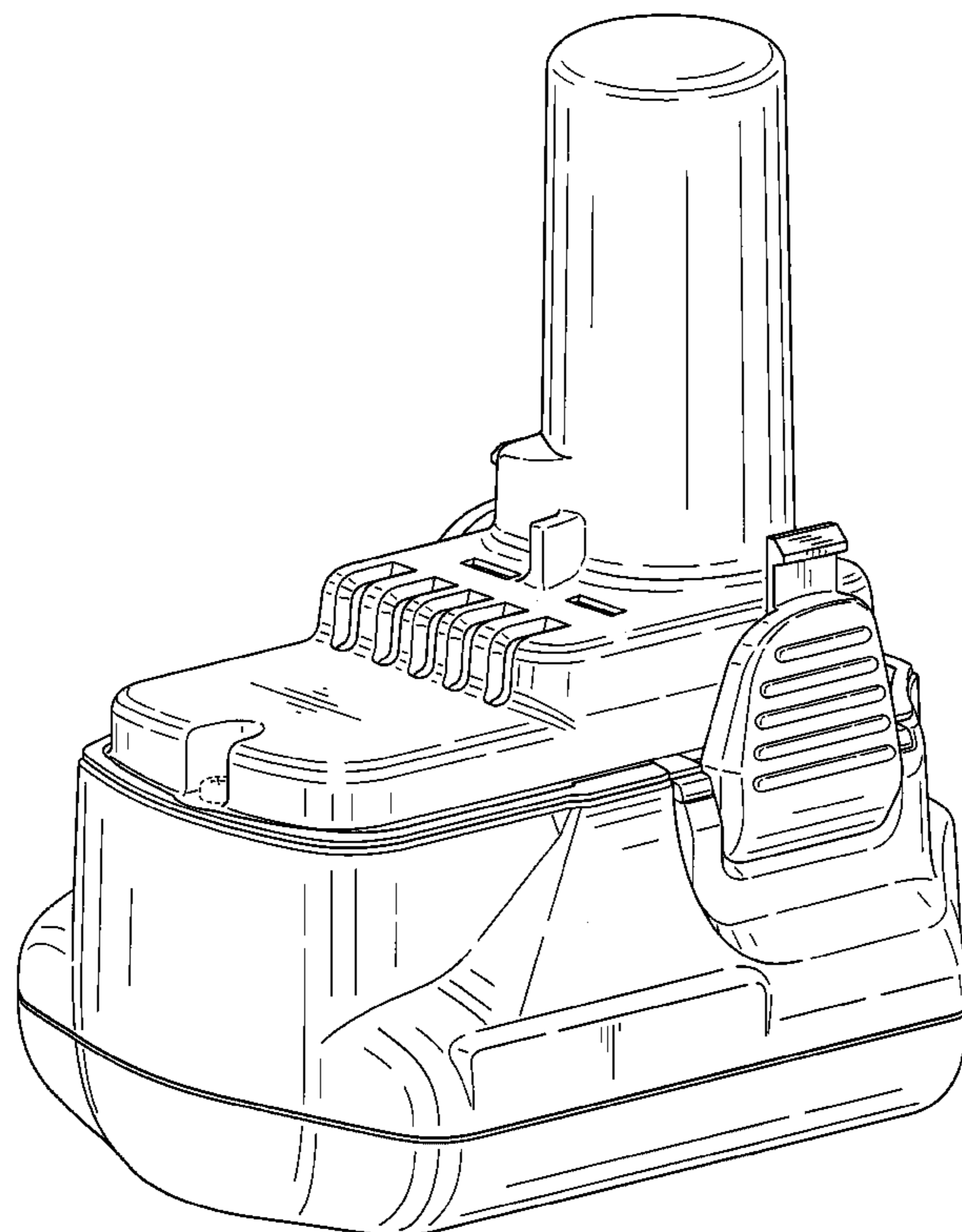
FIG. 5 is a right side view thereof;

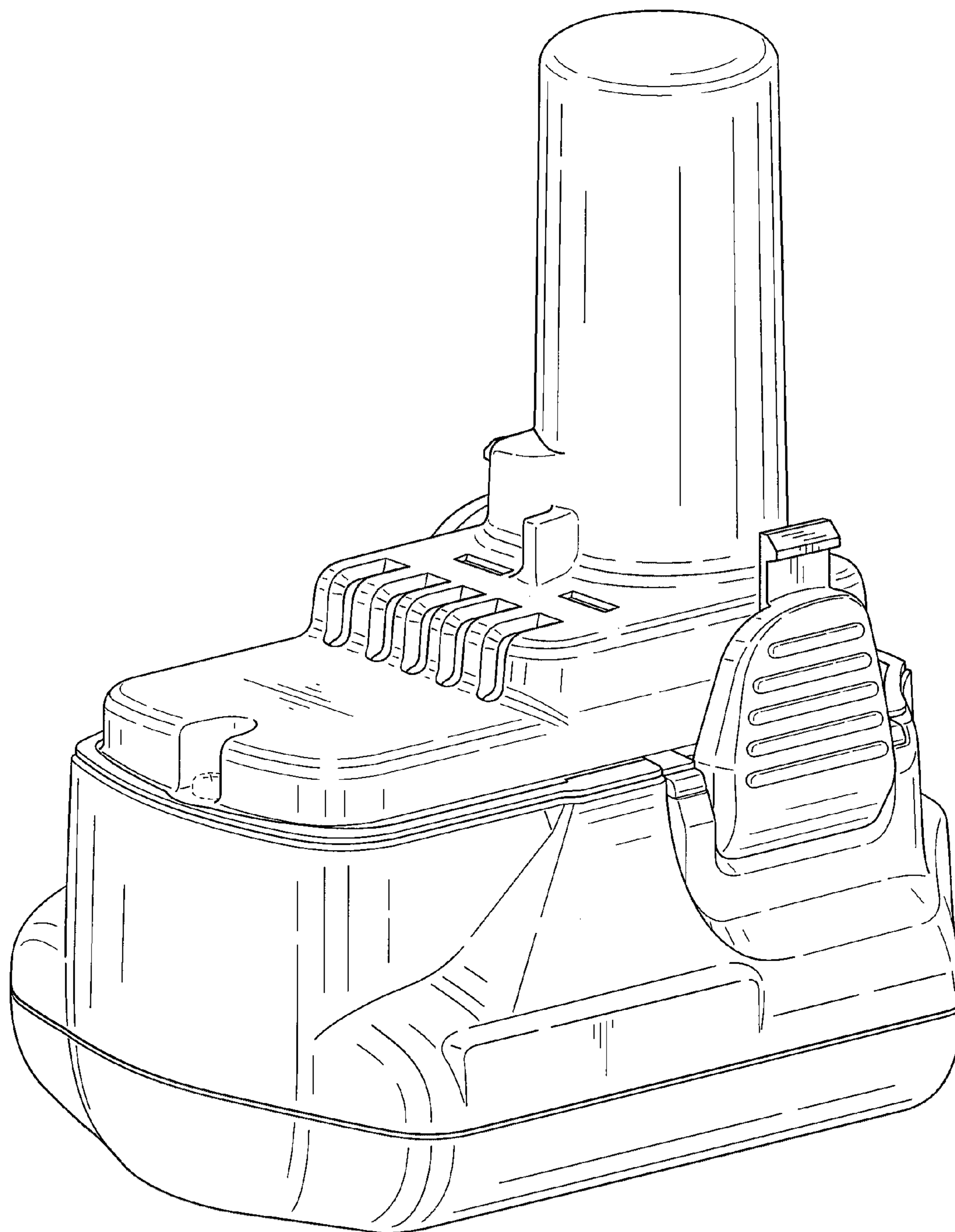
FIG. 6 is a top plan view thereof; and,

FIG. 7 is a bottom view thereof.

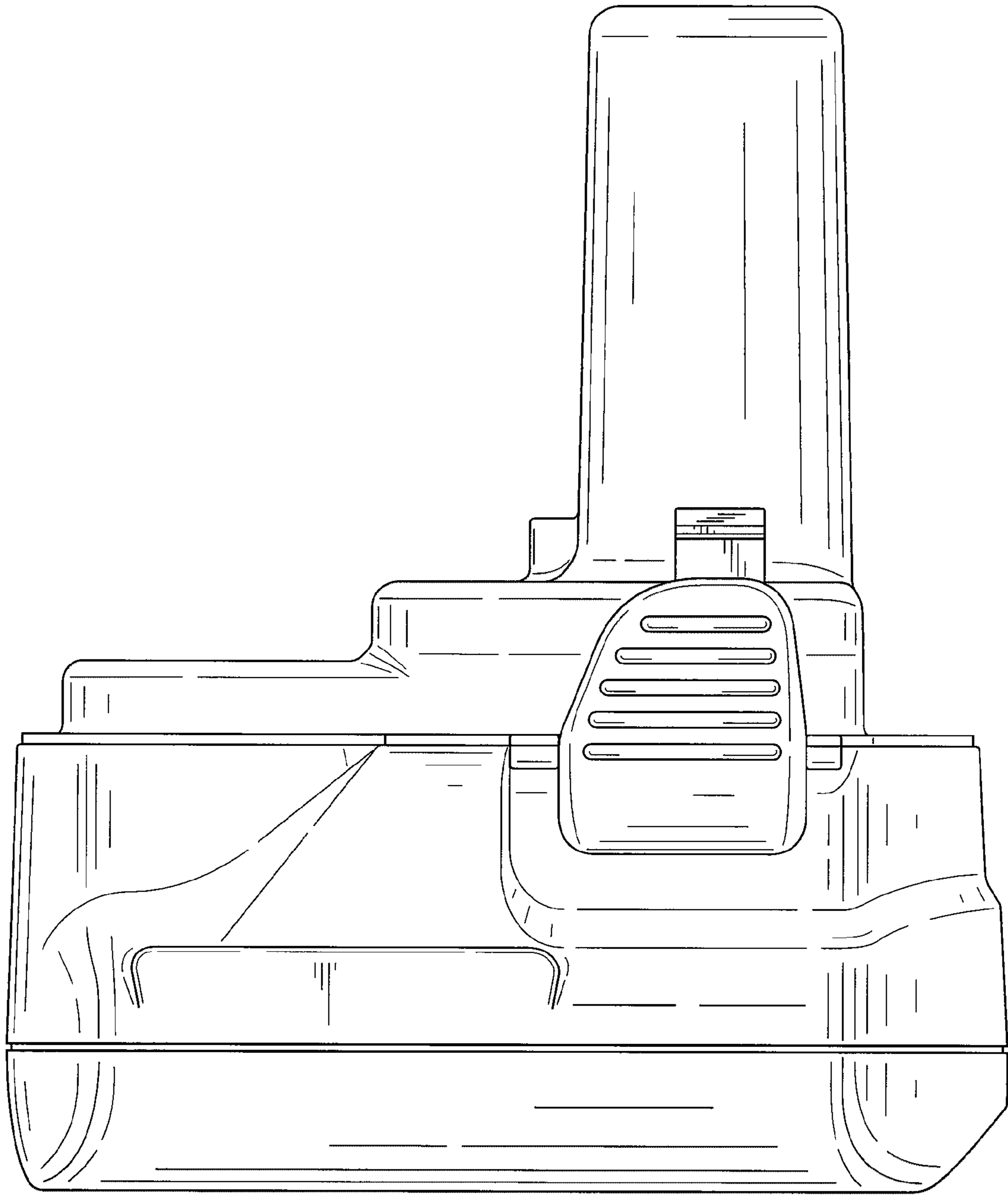
The portion of the article in broken lines are shown for illustrative purposes only and form no part of the claimed design.

**1 Claim, 7 Drawing Sheets**

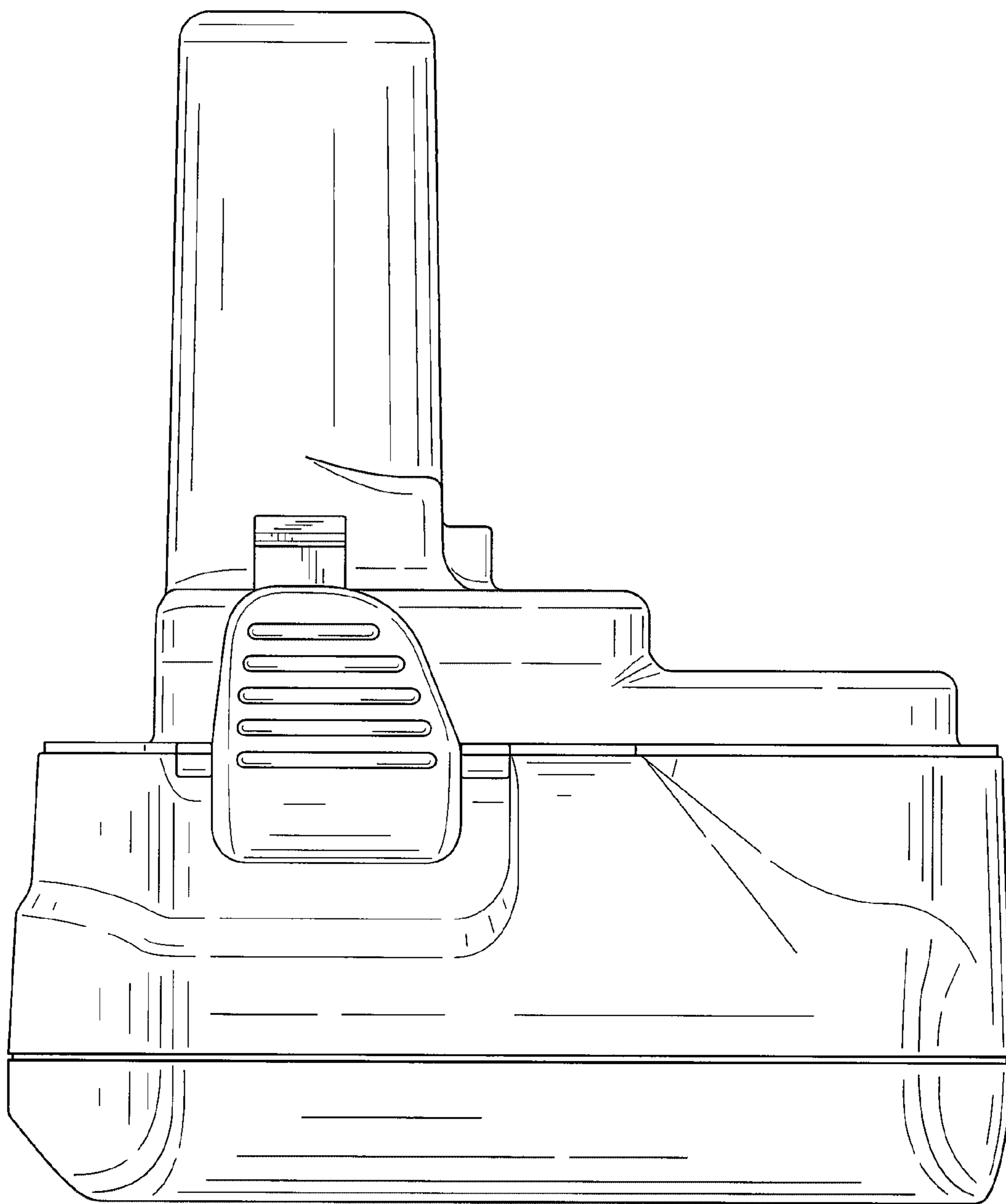




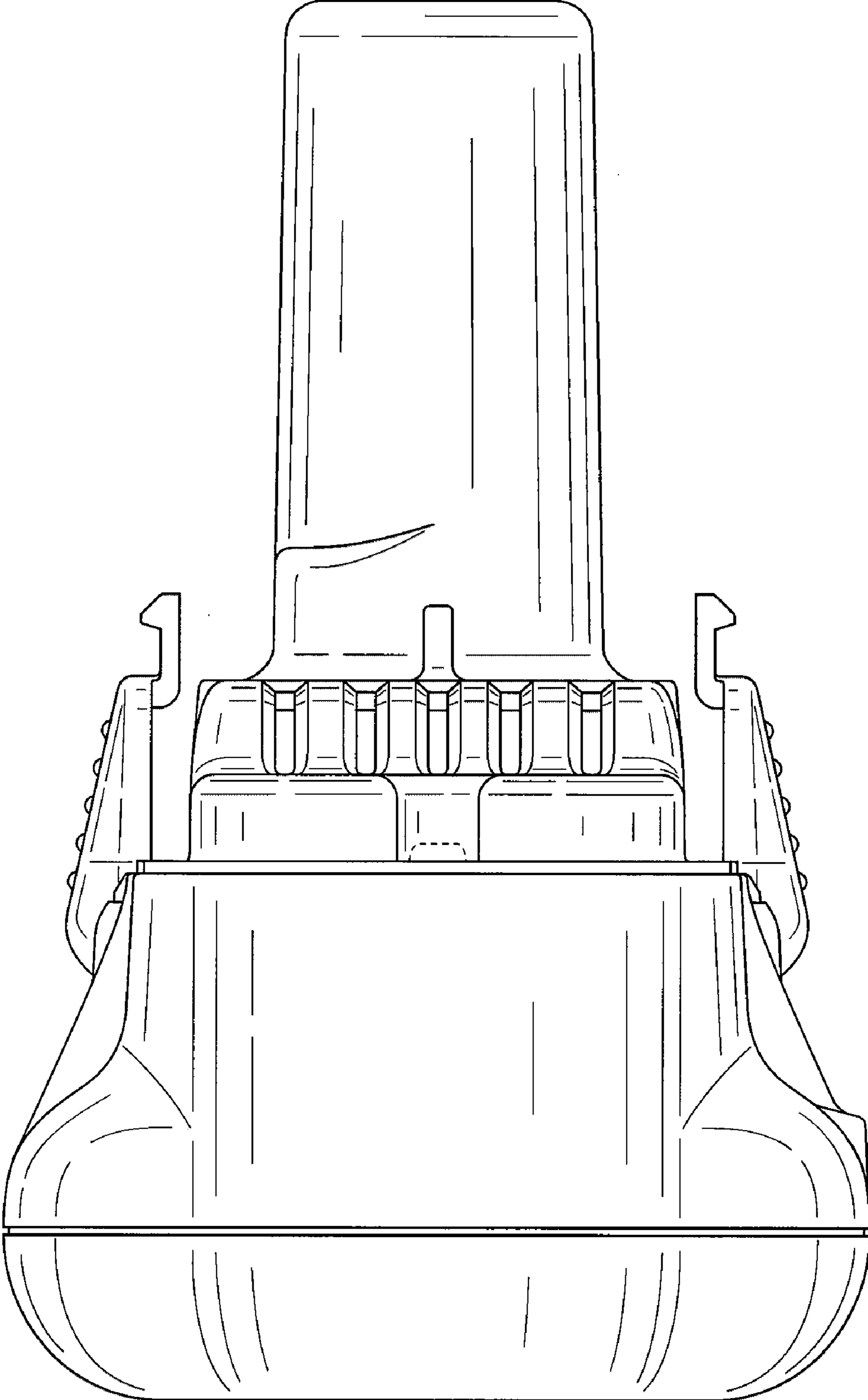
**FIG. 1**



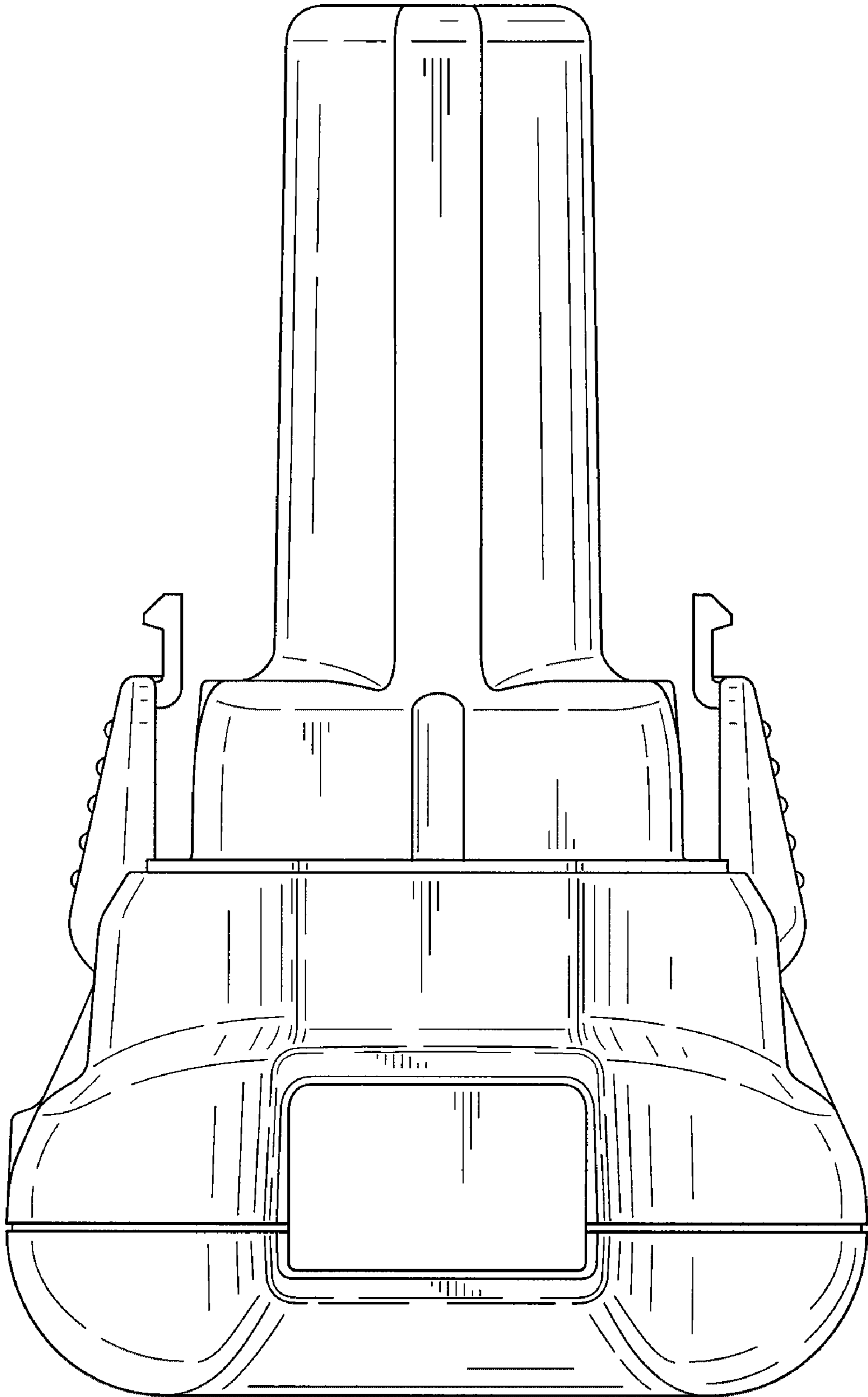
**FIG. 2**



*FIG. 3*

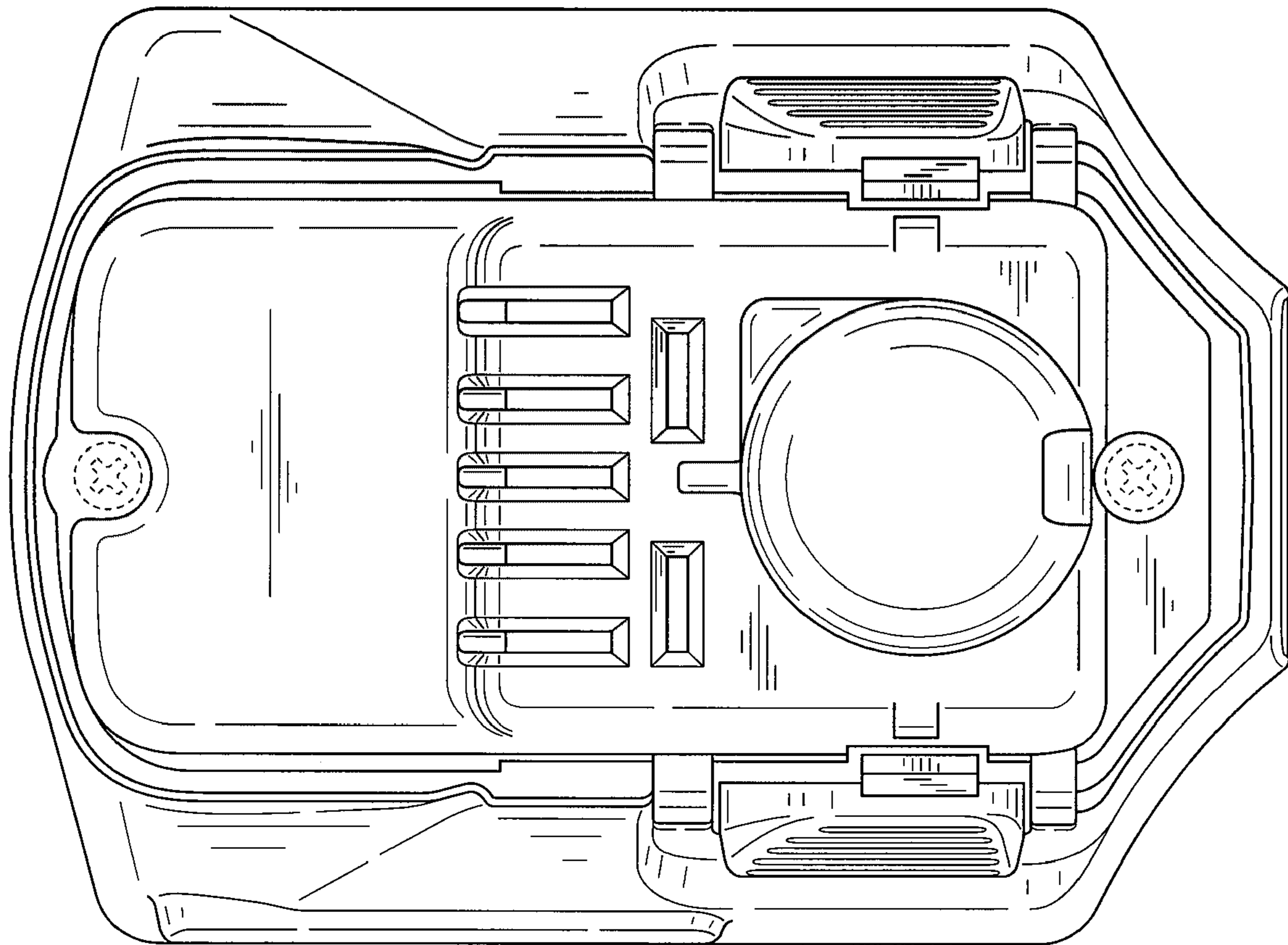


**FIG. 4**

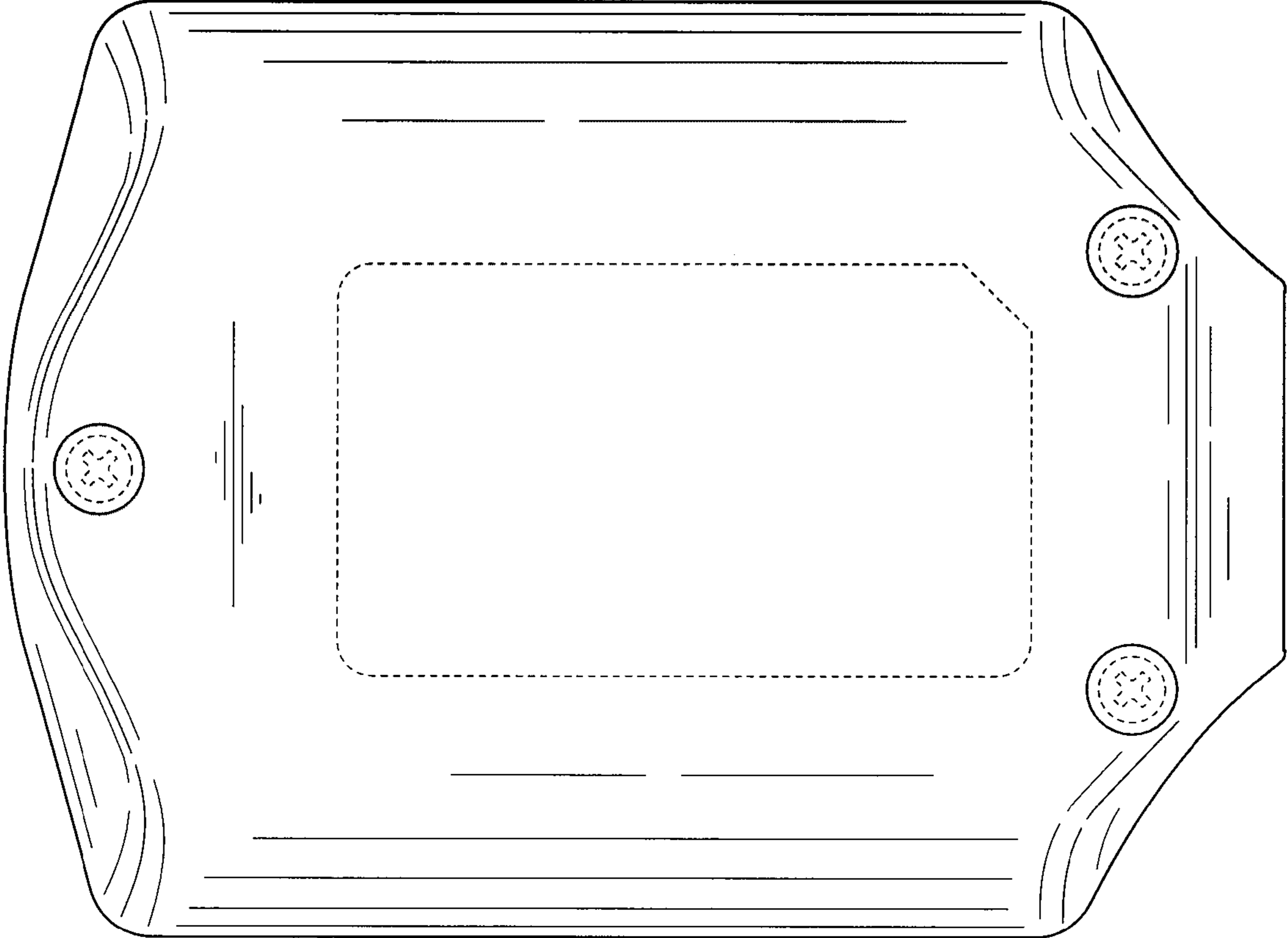


**FIG. 5**





**FIG. 6**



*FIG. 7*