



US00D622659S

(12) **United States Design Patent**
Soeda et al.

(10) **Patent No.:** **US D622,659 S**
(45) **Date of Patent:** **** Aug. 31, 2010**

(54) **BATTERY PACK FOR UNINTERRUPTIBLE POWER SUPPLY**

(75) Inventors: **Koichi Soeda**, Tokyo (JP); **Katsuhiko Nakane**, Tokyo (JP); **Koji Okano**, Tokyo (JP)

(73) Assignee: **Densei-Lambda K.K.** (JP)

(**) Term: **14 Years**

(21) Appl. No.: **29/294,012**

(22) Filed: **Dec. 20, 2007**

(30) **Foreign Application Priority Data**

Oct. 17, 2007 (JP) 2007-028399

(51) **LOC (9) Cl.** **13-02**

(52) **U.S. Cl.** **D13/103**

(58) **Field of Classification Search** D13/102–106,
D13/110, 118–119, 184, 199; 429/96–100,
429/163, 176

See application file for complete search history.

(56) **References Cited**

U.S. PATENT DOCUMENTS

- 4,904,550 A * 2/1990 Kano et al. 429/163
- 5,510,203 A * 4/1996 Hamada et al. 429/53
- D394,841 S * 6/1998 Hashimoto et al. D13/103
- D400,512 S * 11/1998 Korhonen D13/184
- D419,131 S * 1/2000 Andrews et al. D13/103
- 6,033,800 A * 3/2000 Ichiyangi et al. 429/176
- 6,045,883 A * 4/2000 Akiyama et al. 428/35.7
- D437,287 S * 2/2001 Hamada et al. D13/103
- D478,866 S * 8/2003 Nakai D13/103
- 6,808,844 B2 * 10/2004 Ehara 429/175
- D511,742 S * 11/2005 Niitsuma et al. D13/106
- D514,506 S * 2/2006 Niitsuma et al. D13/106
- D516,505 S * 3/2006 Niitsuma et al. D13/106

- D524,242 S * 7/2006 Adams et al. D13/103
- D529,437 S * 10/2006 Miyashita D13/103
- D533,831 S * 12/2006 Kim D13/103
- D548,176 S * 8/2007 Eto et al. D13/103
- D548,684 S * 8/2007 Eto et al. D13/103
- D548,685 S * 8/2007 Eto et al. D13/103
- D548,686 S * 8/2007 Eto et al. D13/103
- D550,613 S * 9/2007 Hamasaki et al. D13/103
- D555,587 S * 11/2007 Yamamoto et al. D13/103
- 2002/0058183 A1 * 5/2002 Ono et al. 429/176
- 2003/0003351 A1 * 1/2003 Ogata et al. 429/120
- 2003/0203278 A1 * 10/2003 Hamada et al. 429/156
- 2004/0062985 A1 * 4/2004 Aamodt et al. 429/176
- 2004/0062986 A1 * 4/2004 Aamodt et al. 429/181
- 2004/0137322 A1 * 7/2004 Hong et al. 429/176
- 2004/0191620 A1 * 9/2004 Miyahisa et al. 429/176
- 2005/0042508 A1 * 2/2005 Kim et al. 429/174

* cited by examiner

Primary Examiner—Rosemary K Tarca

(74) *Attorney, Agent, or Firm*—Harness, Dickey & Pierce, P.L.C.

(57) **CLAIM**

The ornamental design for a battery pack for uninterruptible power supply, as shown and described.

DESCRIPTION

FIG. 1 is a front view of one embodiment of a battery pack for uninterruptible power supply, as viewed from the front, embodying our new design;

FIG. 2 is a rear view thereof;

FIG. 3 is a left side view thereof;

FIG. 4 is a right side view thereof;

FIG. 5 is a top plan view thereof;

FIG. 6 is a bottom view thereof; and,

FIG. 7 is a perspective view thereof.

1 Claim, 7 Drawing Sheets

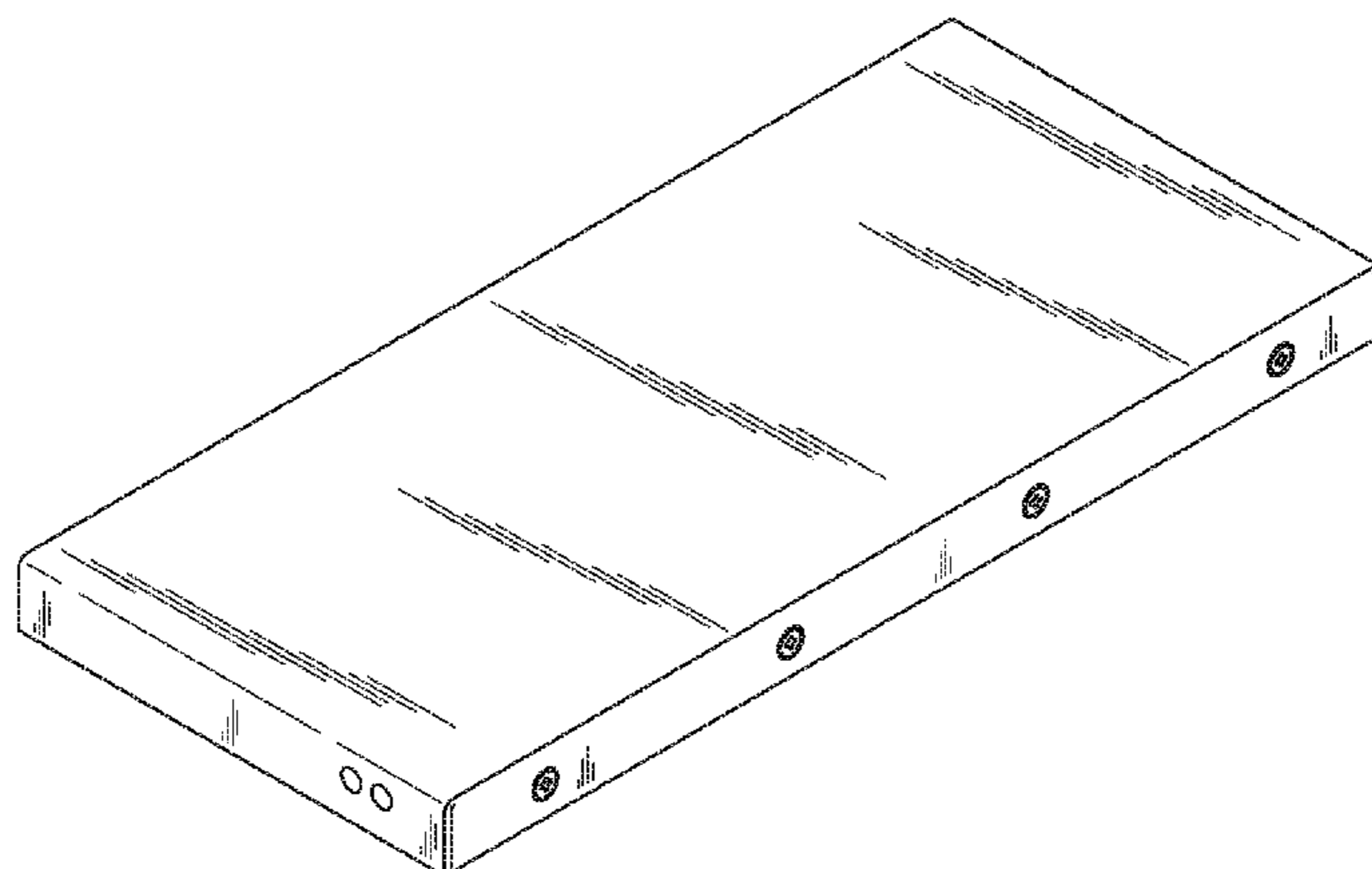


FIG. 1



FIG. 2



FIG. 3



FIG. 4

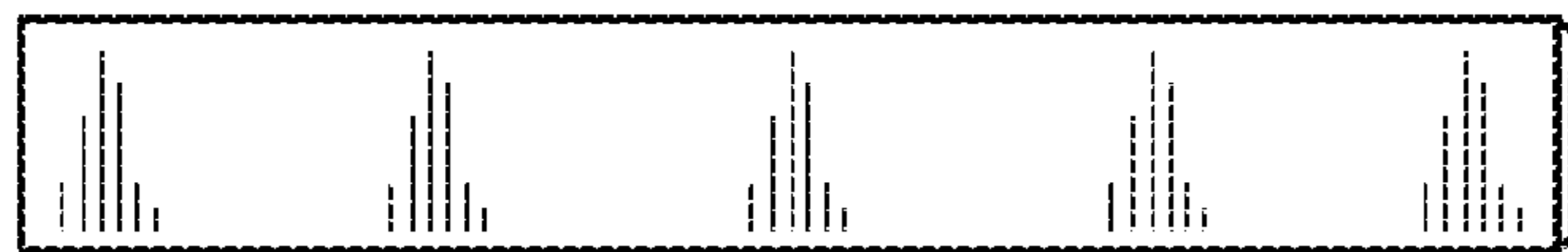


FIG. 5

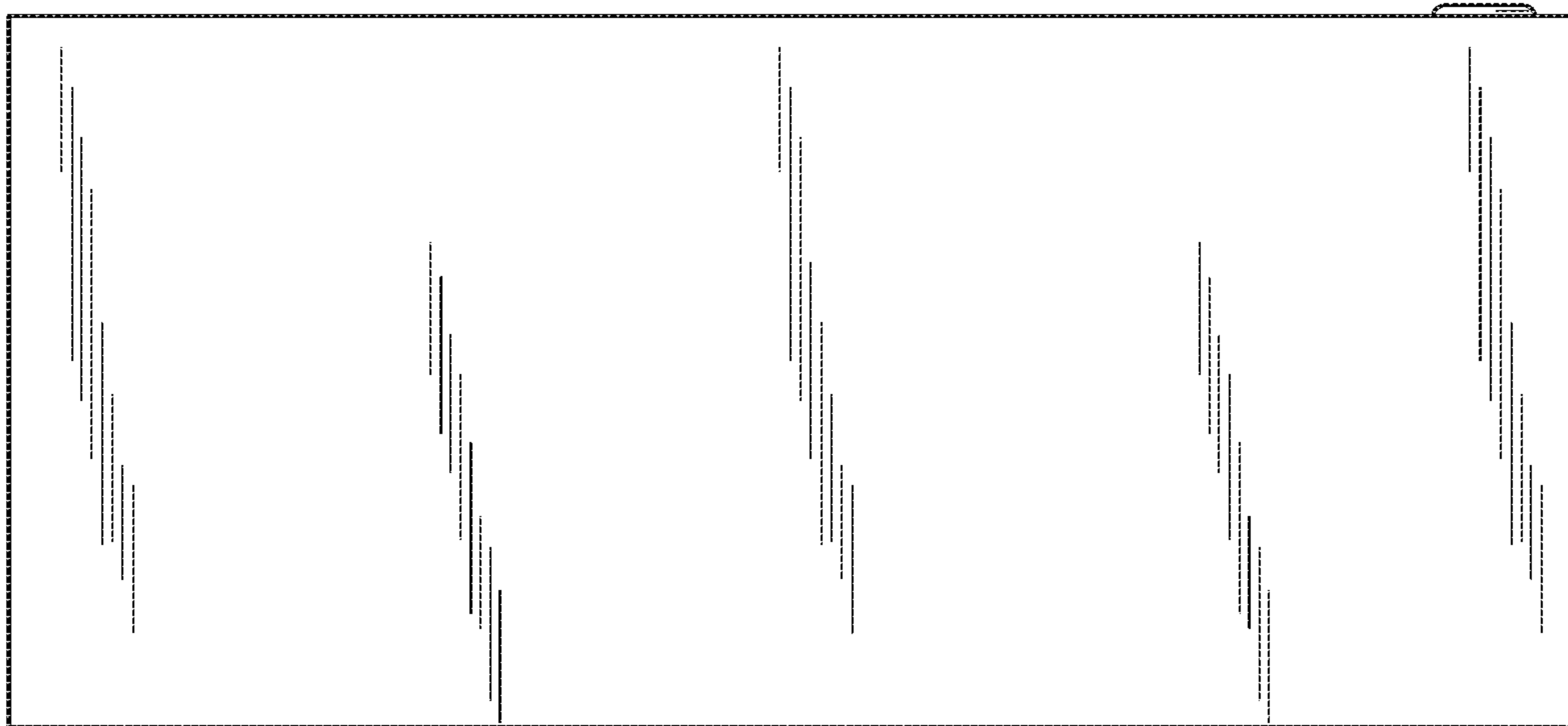


FIG. 6

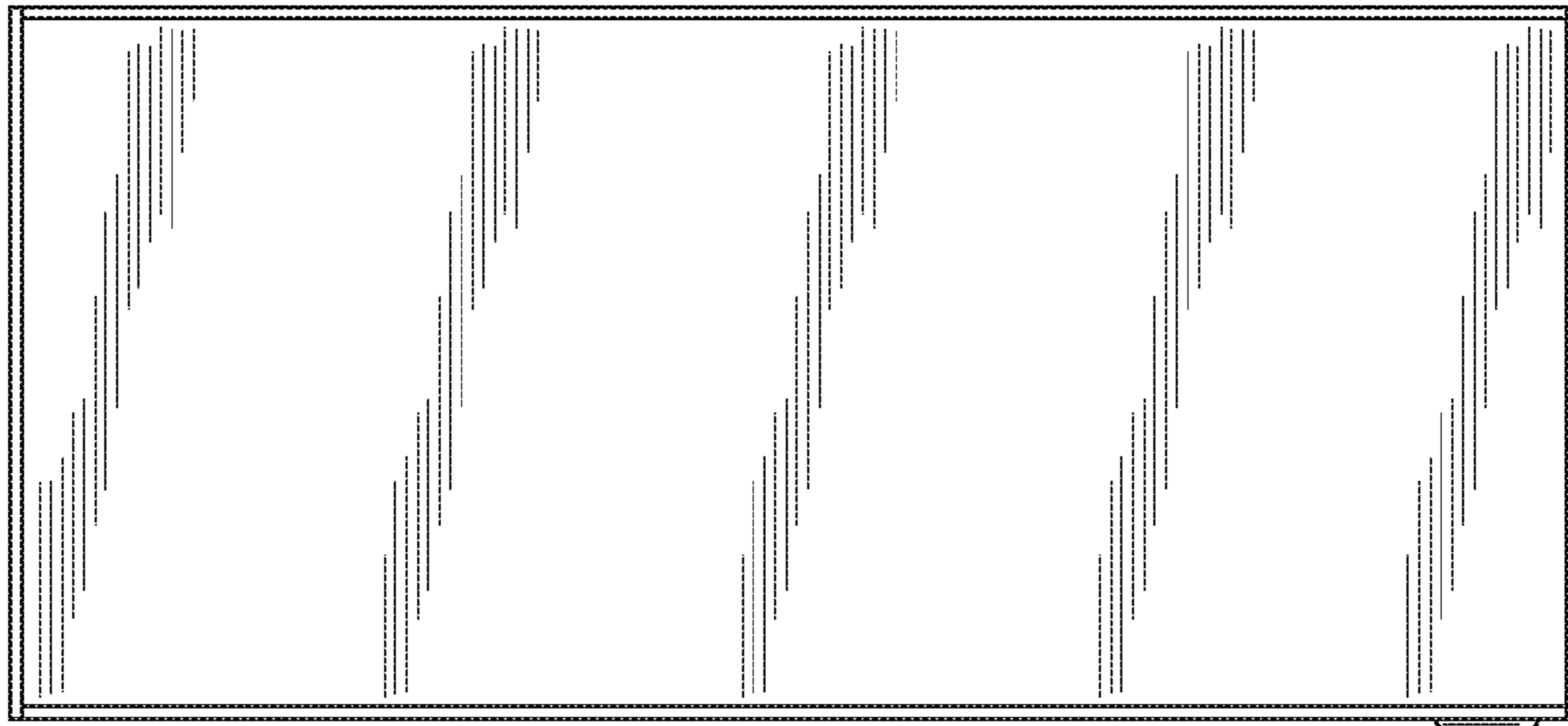


FIG. 7

