



US00D622655S

(12) **United States Design Patent**
Ohashi

(10) **Patent No.:** **US D622,655 S**

(45) **Date of Patent:** **** Aug. 31, 2010**

(54) **AUTOMOBILE TIRE**

(75) **Inventor:** **Toshiyuki Ohashi**, Osaka (JP)

(73) **Assignee:** **Toyo Tire & Rubber Co., Ltd.**,
Osaka-shi (JP)

(**) **Term:** **14 Years**

(21) **Appl. No.:** **29/347,510**

(22) **Filed:** **Feb. 16, 2010**

(30) **Foreign Application Priority Data**

Aug. 19, 2009 (JP) 2009-018916

(51) **LOC (9) Cl.** **12-15**

(52) **U.S. Cl.** **D12/519**

(58) **Field of Classification Search** D12/505-532,
D12/900-901; 152/209.1, 209.8-209.19,
152/209.25-209.28, 455-456

See application file for complete search history.

(56) **References Cited**

U.S. PATENT DOCUMENTS

| | | | | |
|--------------|---------|----------------|-------|---------|
| D460,402 S * | 7/2002 | Ishida et al. | | D12/523 |
| D562,757 S * | 2/2008 | Iwai | | D12/519 |
| D583,750 S * | 12/2008 | Behr et al. | | D12/523 |
| D584,214 S * | 1/2009 | Mukai | | D12/519 |
| D598,364 S * | 8/2009 | Tomatsu et al. | | D12/519 |
| D602,847 S * | 10/2009 | Lee et al. | | D12/519 |
| D610,525 S * | 2/2010 | Behr et al. | | D12/521 |

FOREIGN PATENT DOCUMENTS

| | | |
|----|-----------|--------|
| JP | 1309304 S | 9/2007 |
| JP | 1321878 S | 2/2008 |
| JP | 1328929 S | 5/2008 |

* cited by examiner

Primary Examiner—Stacia Cadmus

(74) *Attorney, Agent, or Firm*—Westerman, Hattori, Daniels & Adrian, LLP

(57) **CLAIM**

The ornamental design for an automobile tire, as shown and described.

DESCRIPTION

FIG. 1 is a front view thereof;

FIG. 2 is a rear view thereof;

FIG. 3 is a left side view thereof;

FIG. 4 is a right side view thereof;

FIG. 5 is a top view thereof;

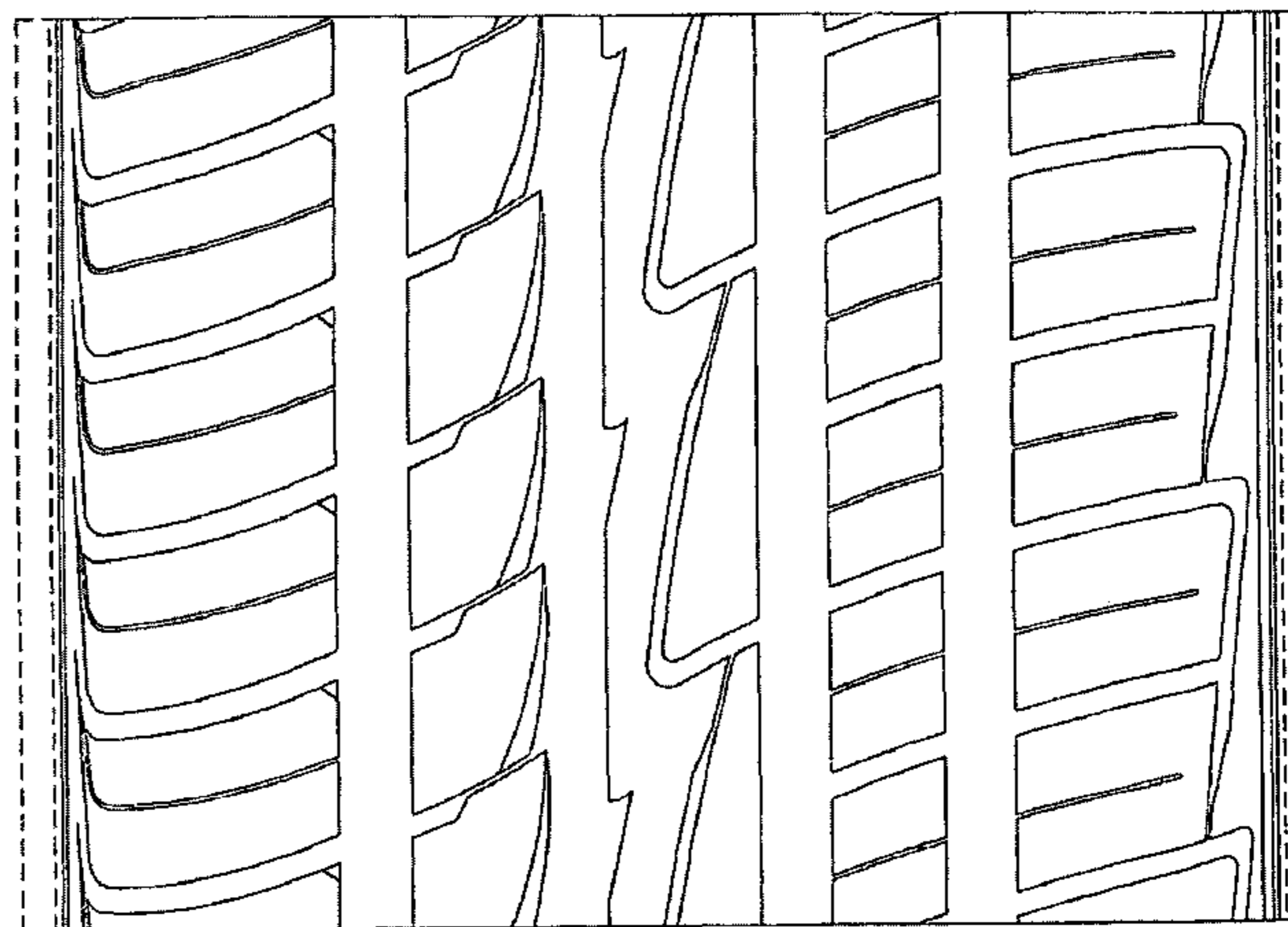
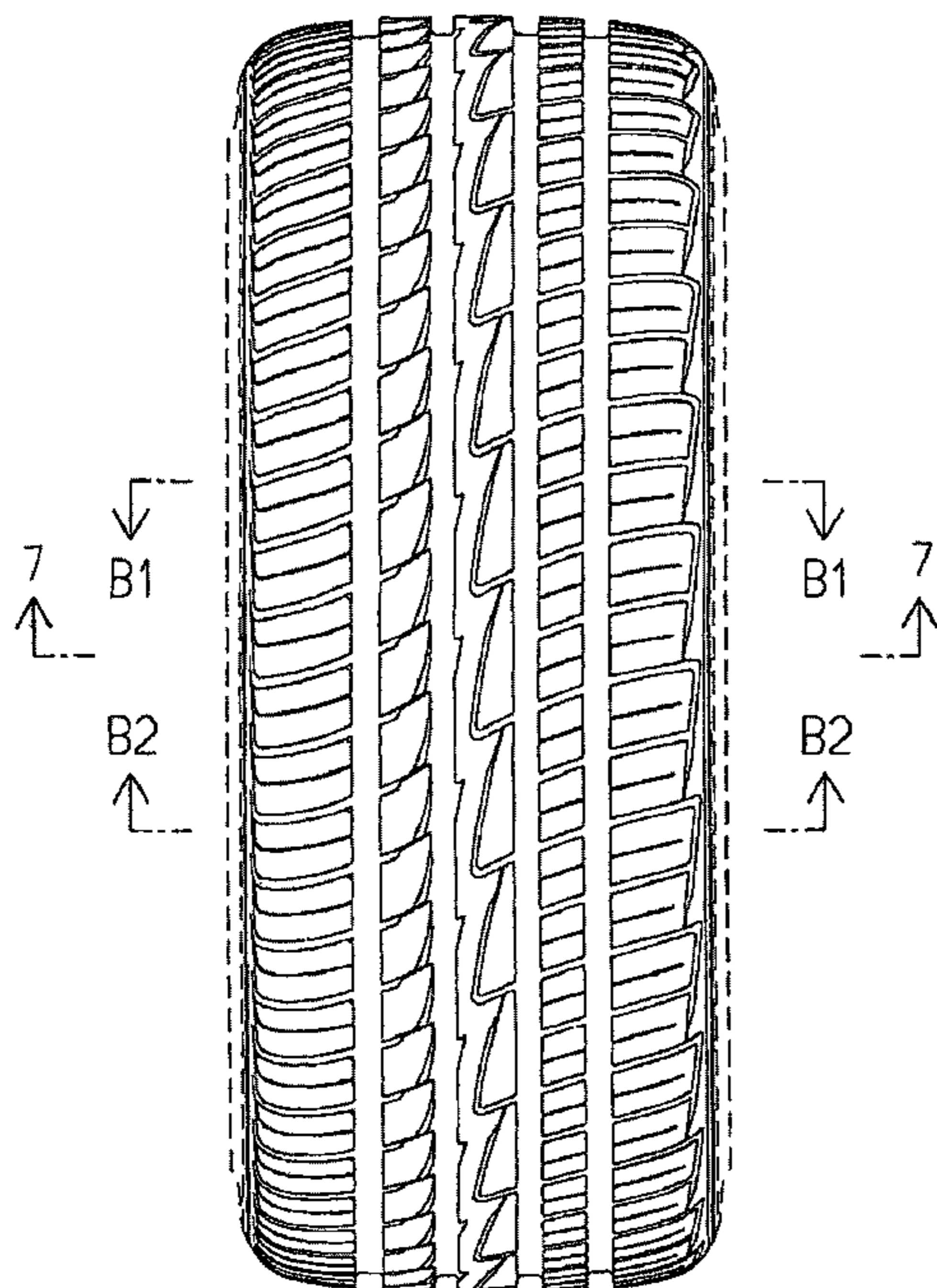
FIG. 6 is a perspective view thereof;

FIG. 7 is an enlarged cross-sectional view taken along line 7—7 in FIG. 1; and,

FIG. 8 is an enlarged tread view taken along the line B1—B2 of FIG. 1, in the part 8—8 of FIG. 4.

The broken lines illustrate environmental structure and form no part of the claimed design.

1 Claim, 8 Drawing Sheets



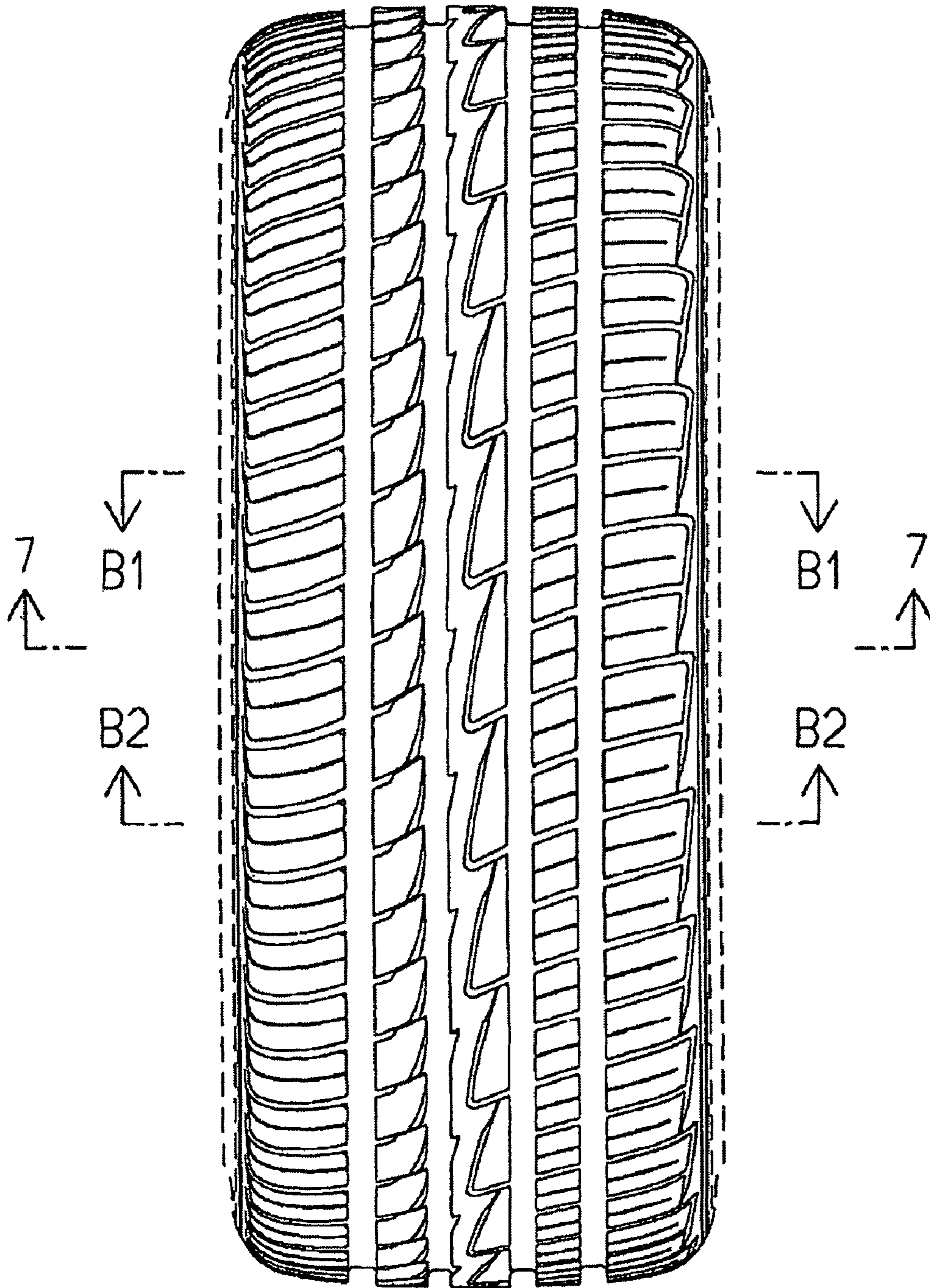


FIG. 1

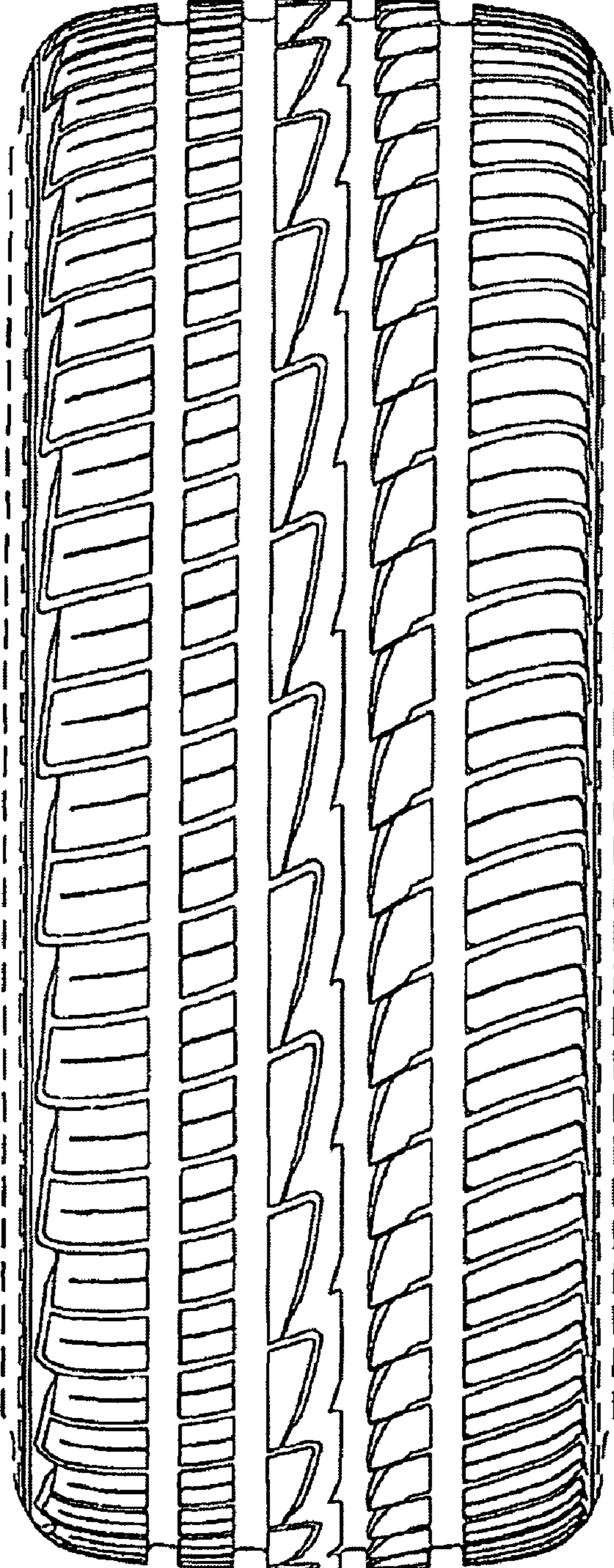


FIG.2

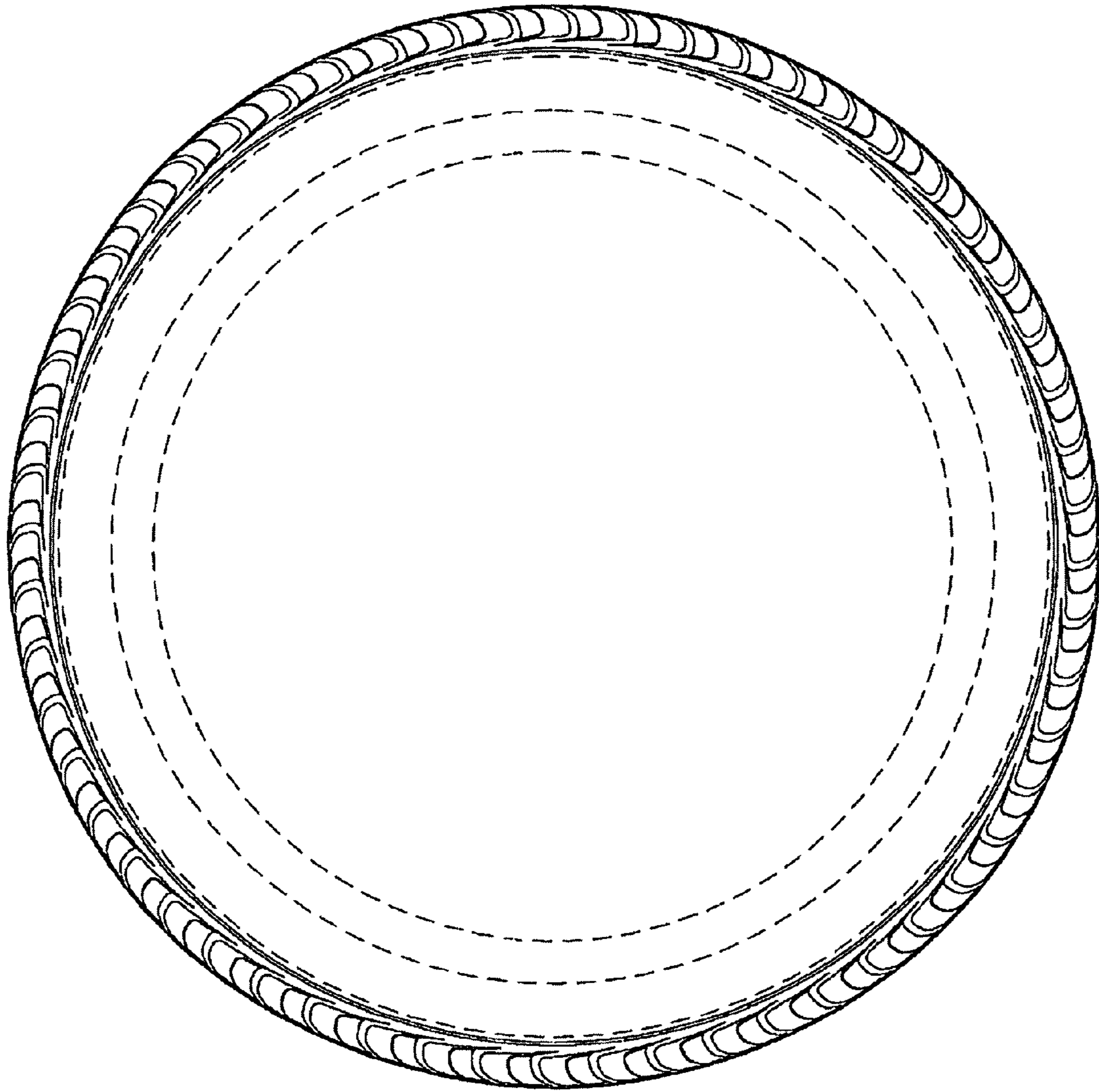


FIG.3

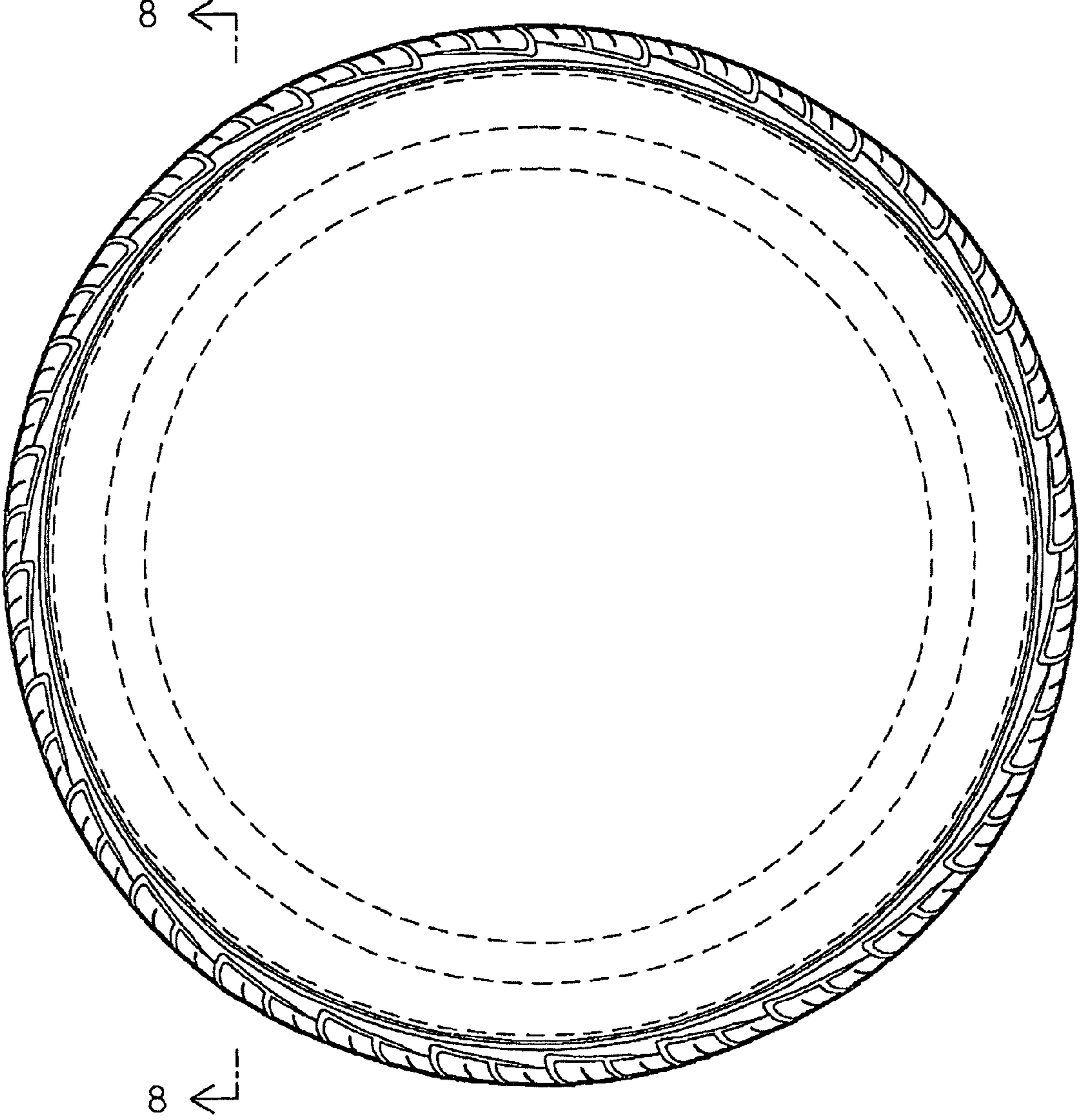


FIG.4

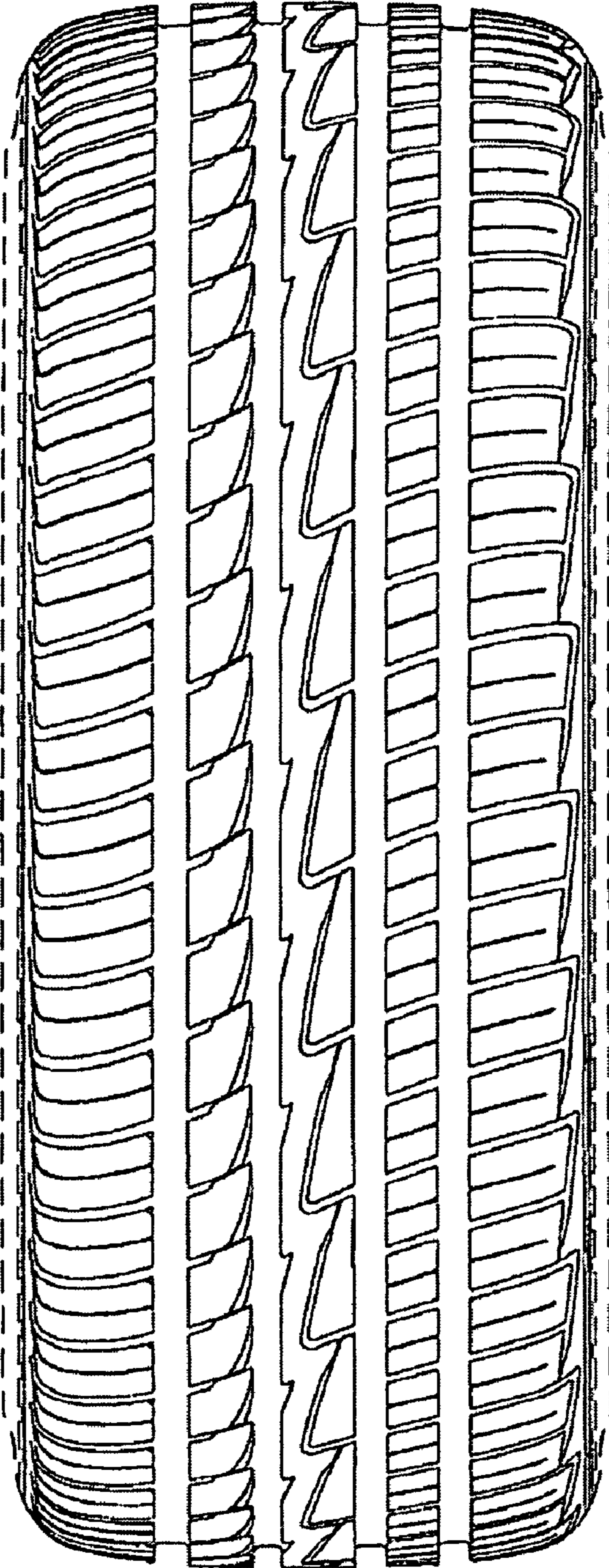


FIG.5

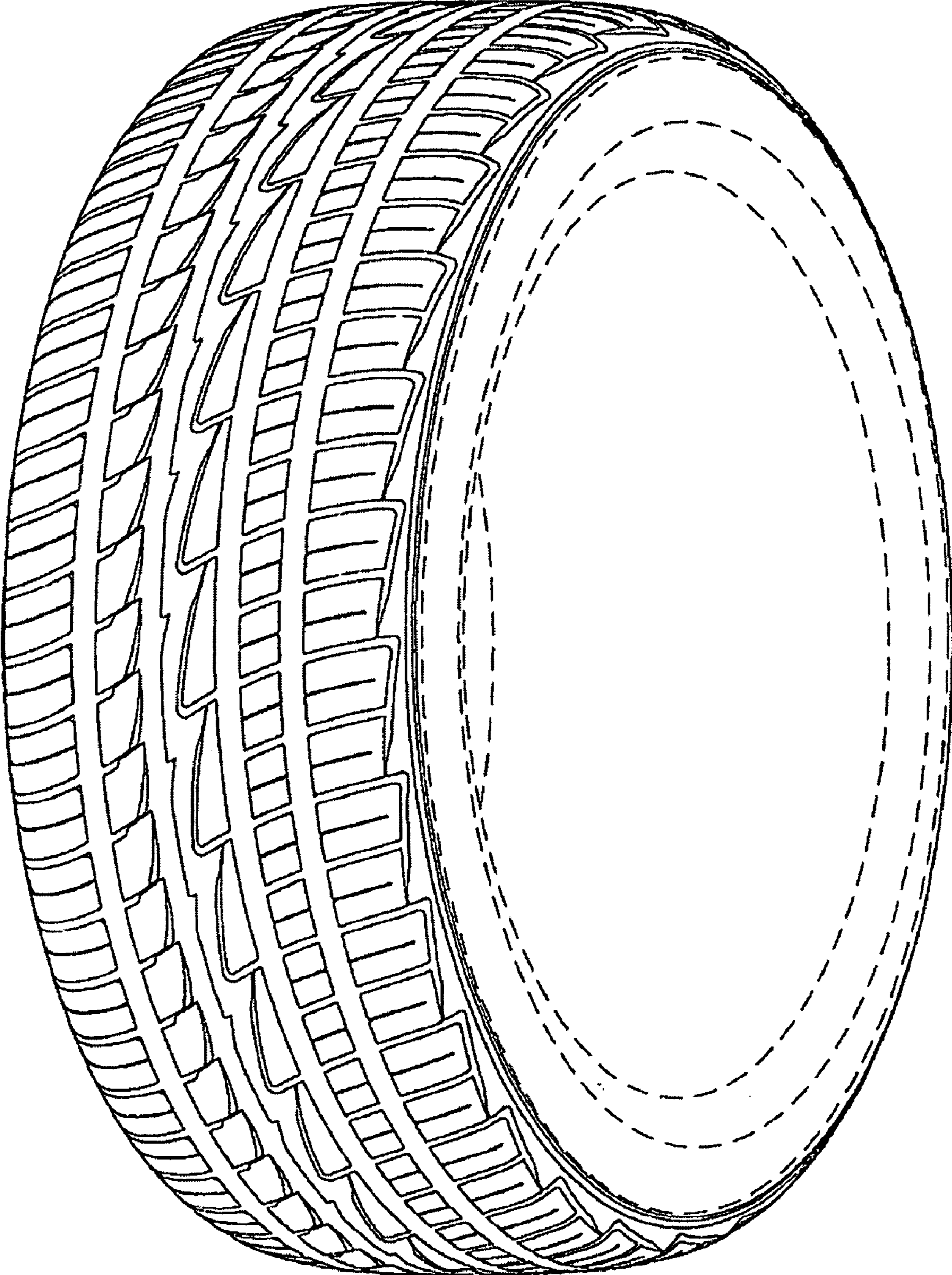


FIG.6

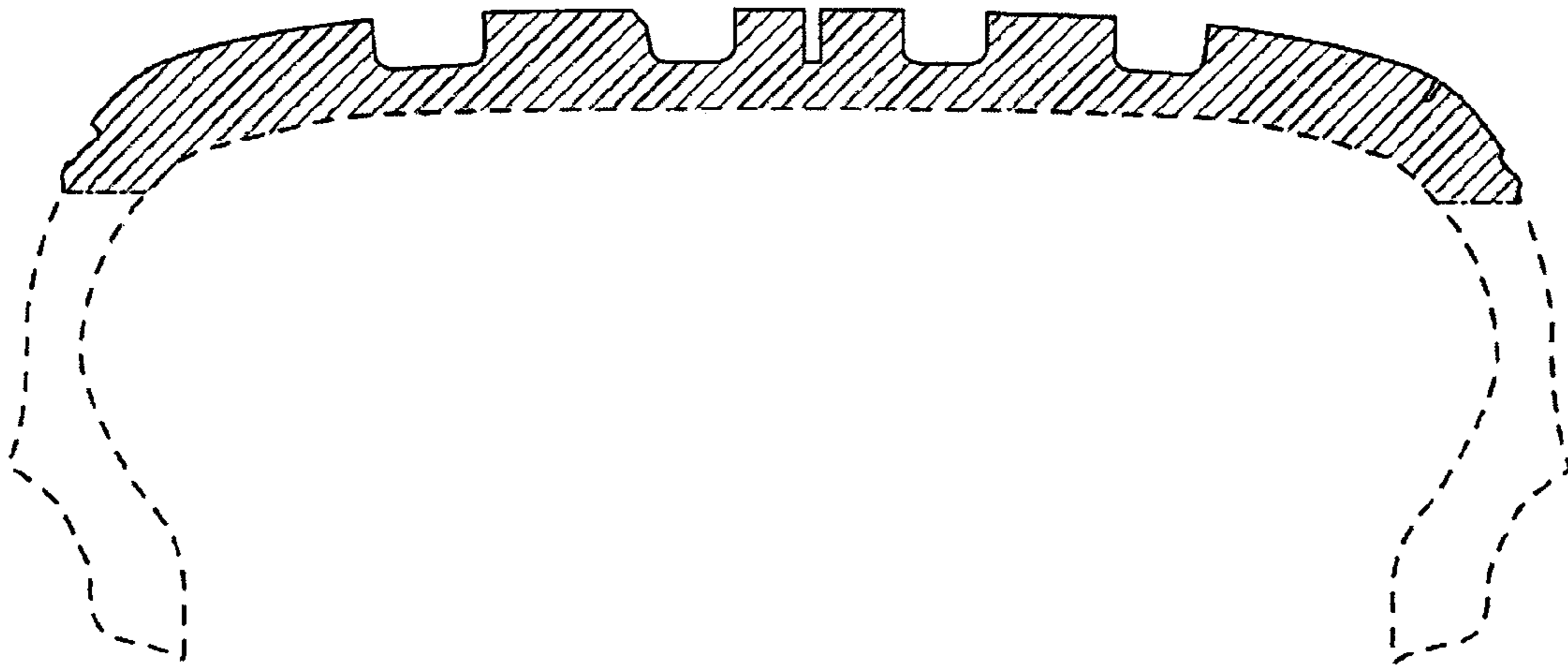


FIG.7

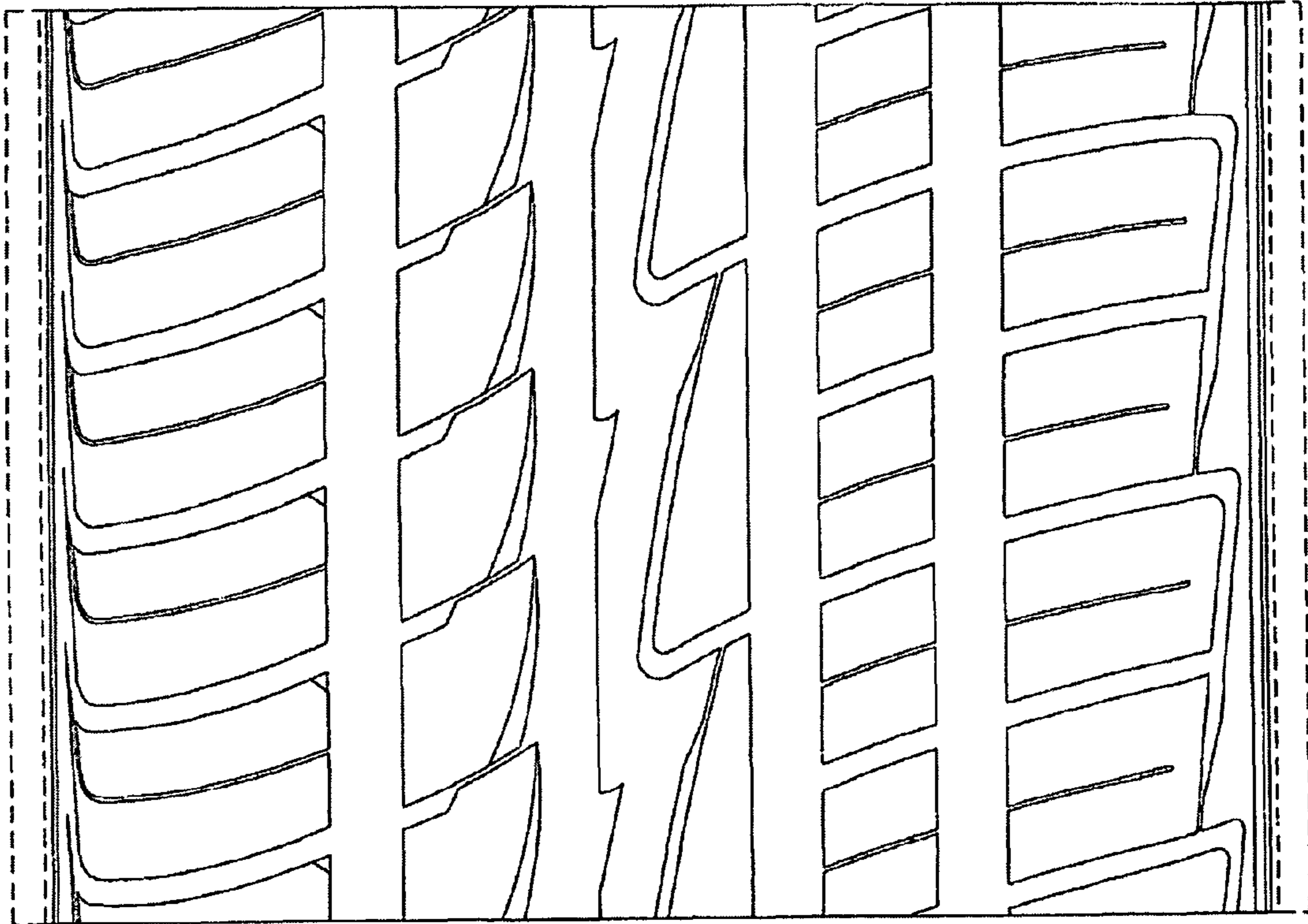


FIG.8