



US00D622652S

(12) **United States Design Patent**  
**Geisler**

(10) **Patent No.:** **US D622,652 S**

(45) **Date of Patent:** **\*\* Aug. 31, 2010**

(54) **WHEEL OR WHEEL COVER**

(75) Inventor: **Wolfgang Geisler**, Sindelfingen (DE)

(73) Assignee: **Daimler AG**, Stuttgart (DE)

(\*\*) Term: **14 Years**

(21) Appl. No.: **29/311,297**

(22) Filed: **Feb. 10, 2009**

(30) **Foreign Application Priority Data**

Aug. 11, 2008 (EM) ..... 000984745-0011  
Aug. 11, 2008 (EM) ..... 000984745-0012

(51) **LOC (9) Cl.** ..... **12-16**

(52) **U.S. Cl.** ..... **D12/211**

(58) **Field of Classification Search** ..... D12/204-213;  
301/37.101, 64.101, 65, 64.201  
See application file for complete search history.

(56) **References Cited**

**U.S. PATENT DOCUMENTS**

D473,836 S \* 4/2003 Laengerer ..... D12/211  
D520,932 S \* 5/2006 Guevara ..... D12/211  
D543,923 S \* 6/2007 Hieke ..... D12/211  
D551,149 S \* 9/2007 Elmitt ..... D12/211  
D555,065 S \* 11/2007 Hernandez ..... D12/211

D576,095 S \* 9/2008 Chung ..... D12/211  
D578,948 S \* 10/2008 Asada et al. .... D12/211  
D609,624 S \* 2/2010 Matsubara ..... D12/211  
D610,515 S \* 2/2010 Platto et al. .... D12/211  
D610,516 S \* 2/2010 Dilber et al. .... D12/211

\* cited by examiner

*Primary Examiner*—Stacia Cadmus

(74) *Attorney, Agent, or Firm*—Crowell & Moring LLP

(57) **CLAIM**

The ornamental design for a wheel or wheel cover, as shown and described.

**DESCRIPTION**

FIG. 1 is a front view of a first embodiment of a wheel or wheel cover according to my novel design; and

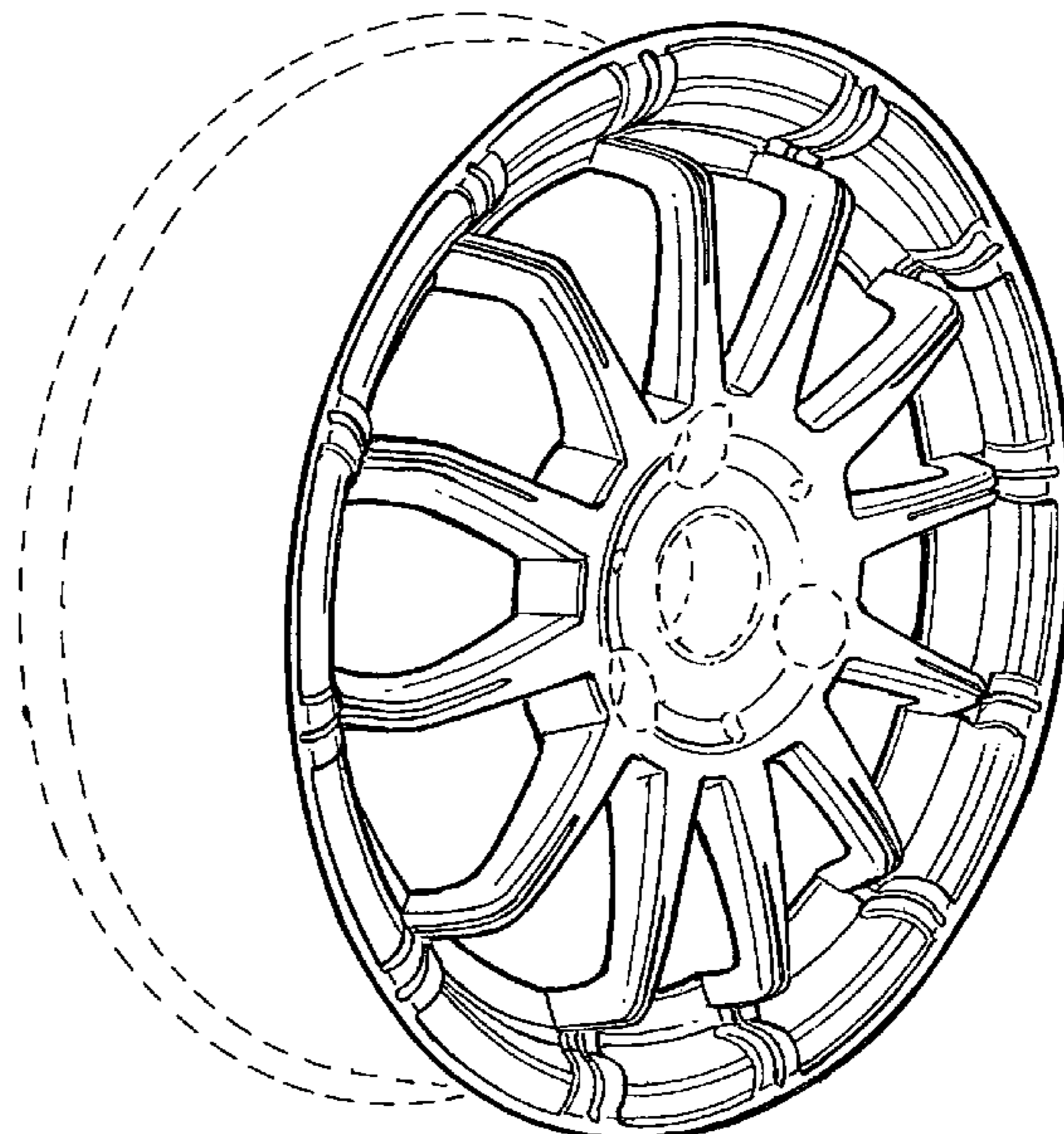
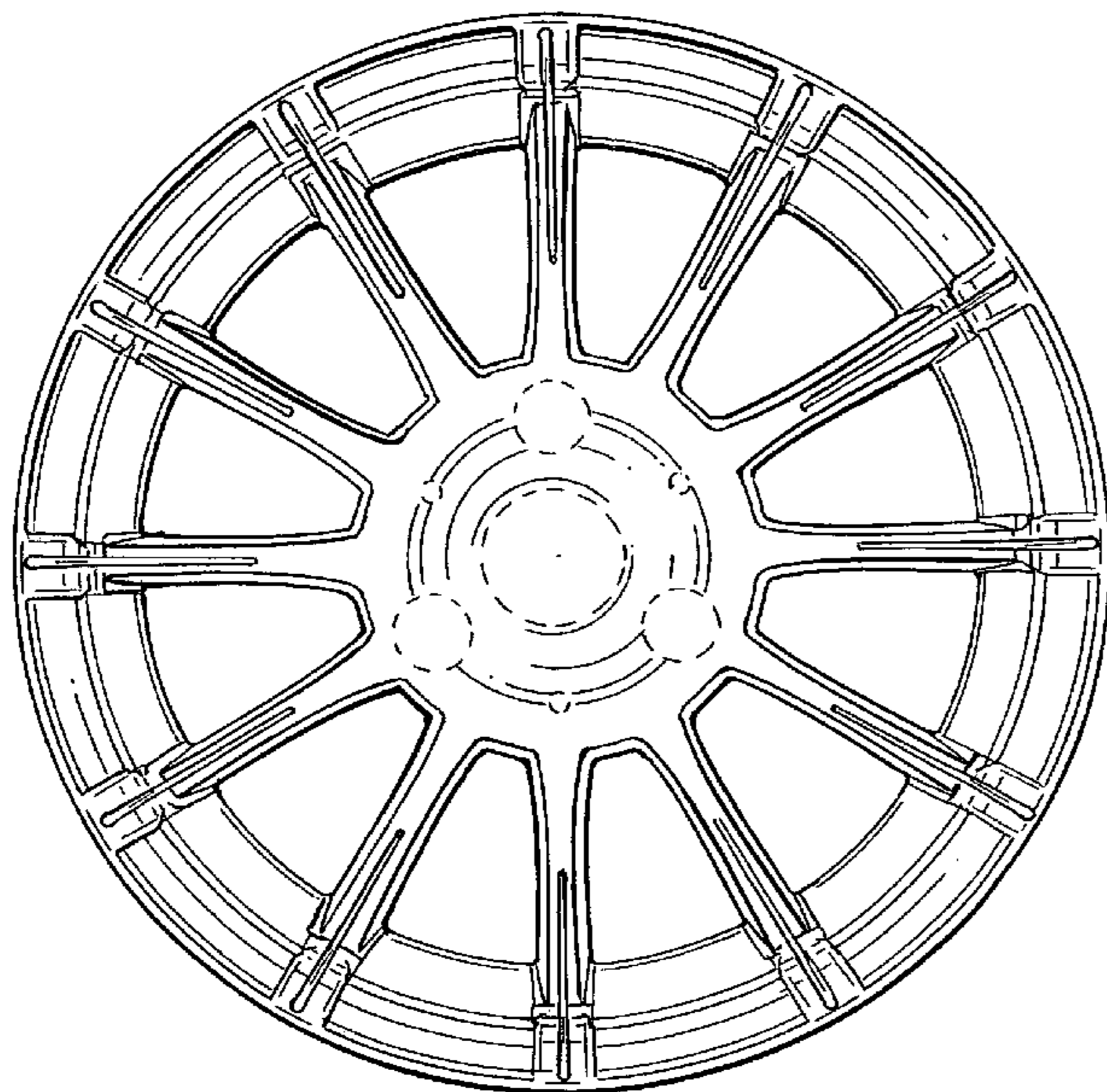
FIG. 2 is a perspective view thereof.

FIG. 3 is a front view of a second embodiment of the wheel or wheel cover according to my novel design; and,

FIG. 4 is a perspective view thereof.

The broken line showing of the rear of the rim and the bolt holes and center hole in the central hub area is included for the purpose of illustrating environment and forms no part of the claimed design.

**1 Claim, 2 Drawing Sheets**



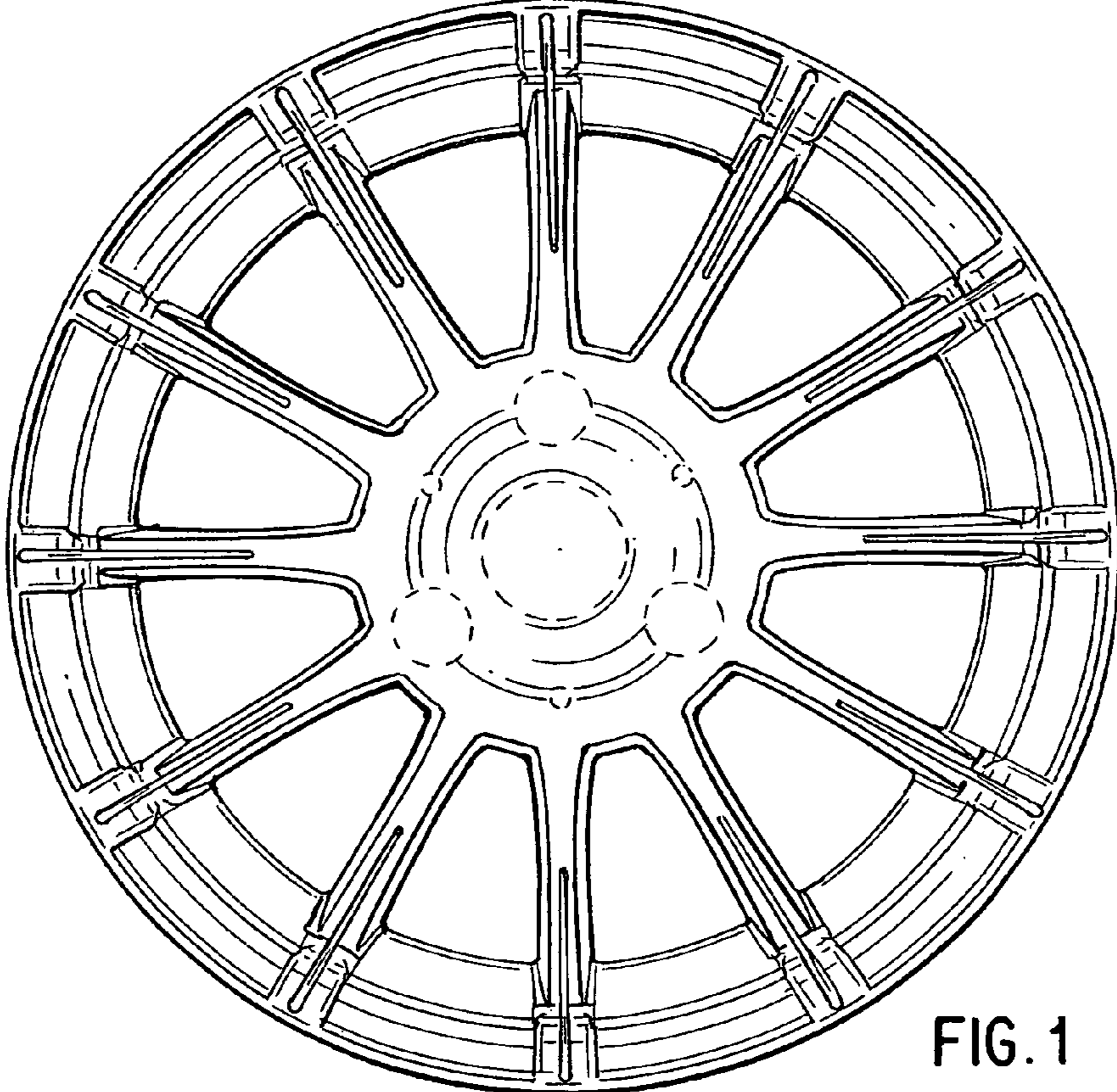


FIG. 1

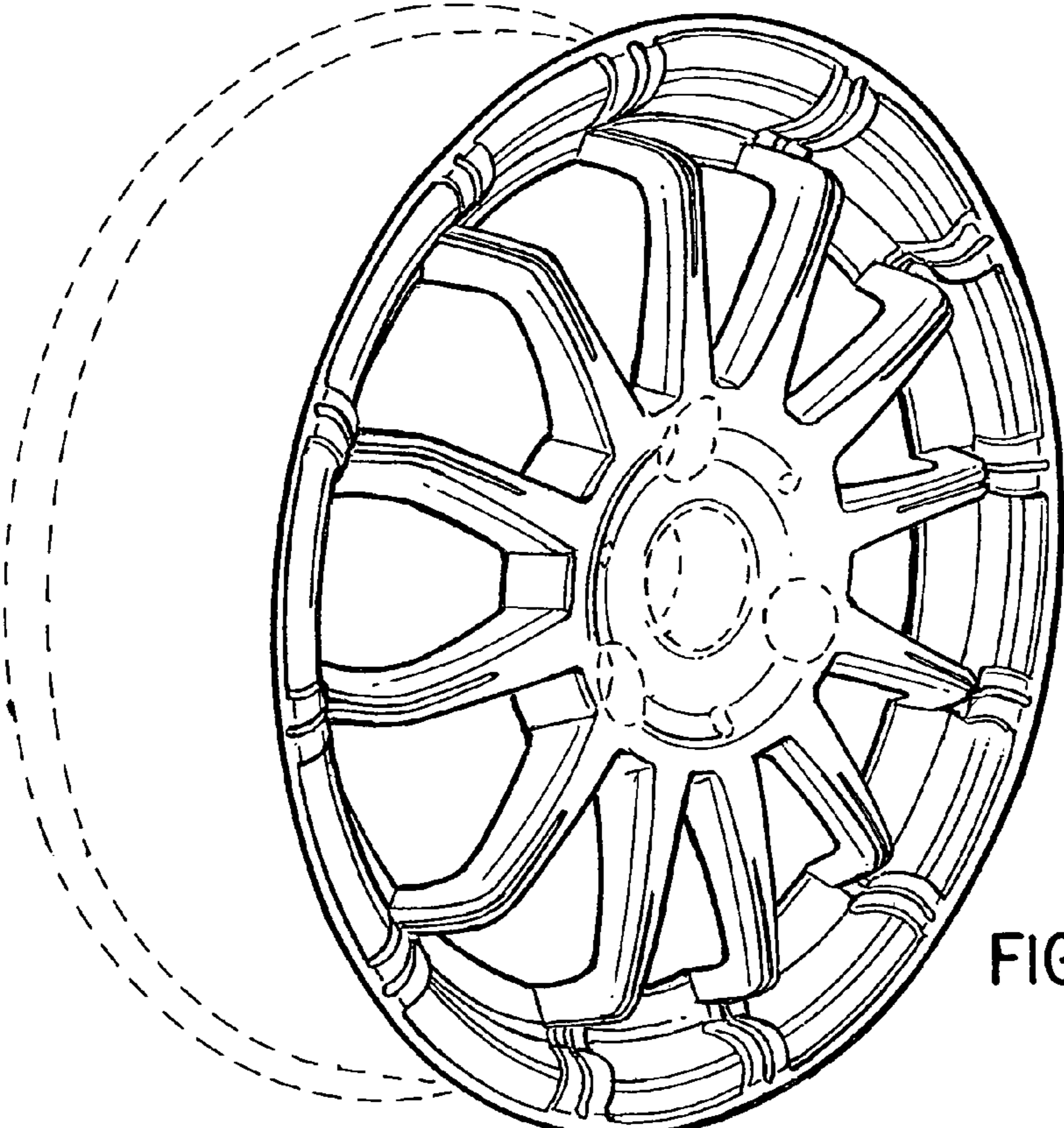


FIG. 2

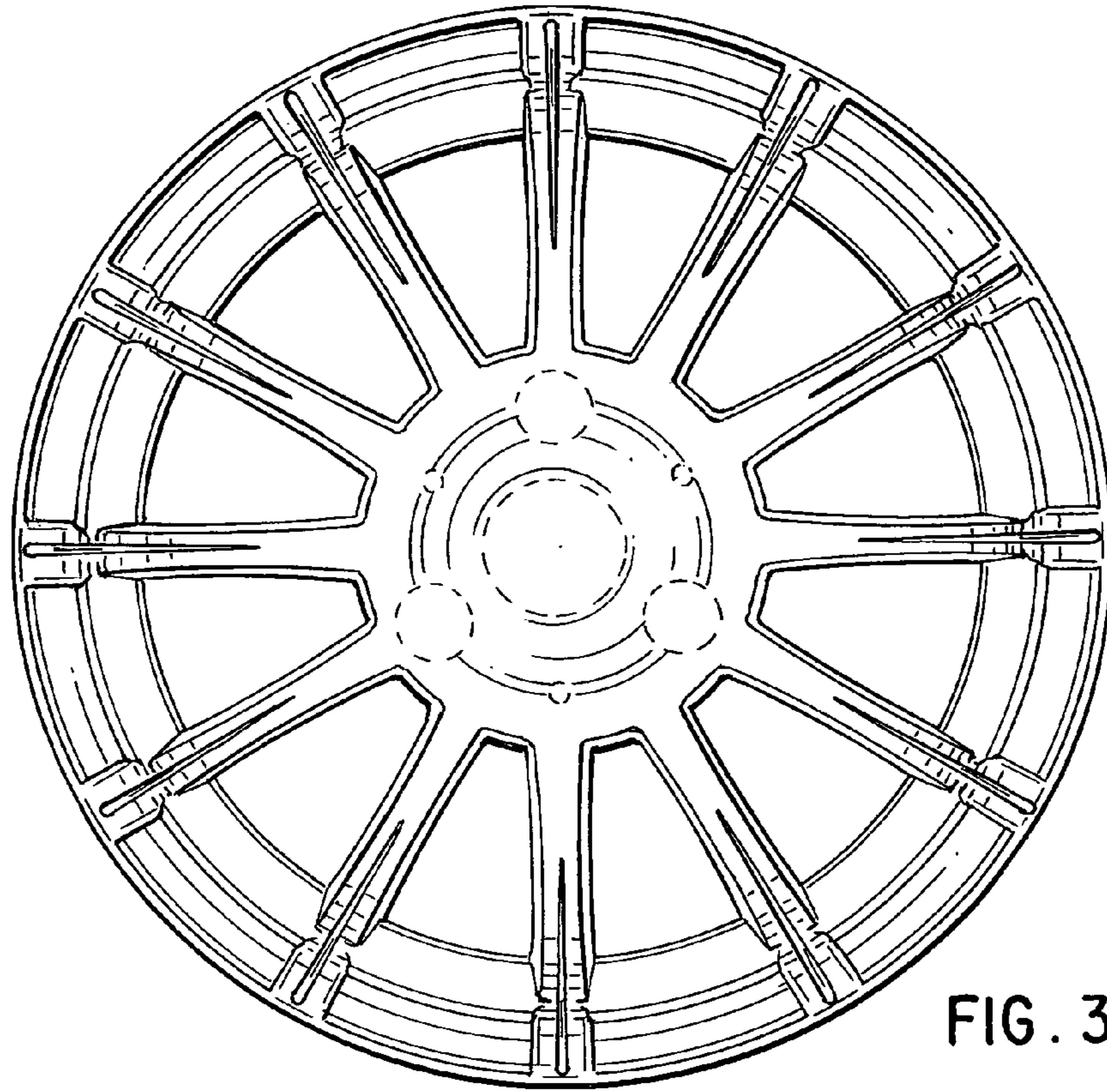


FIG. 3

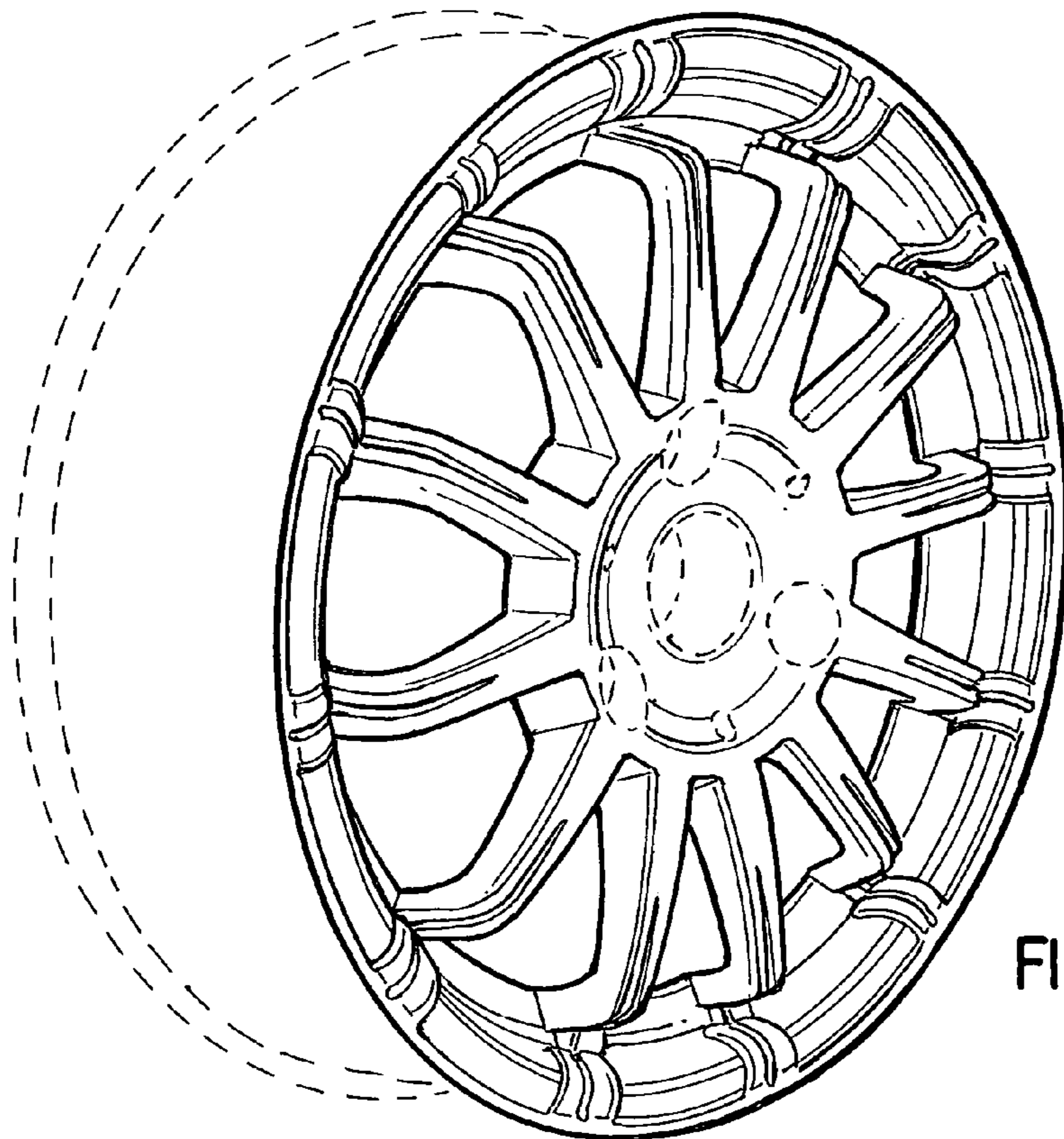


FIG. 4