



US00D622647S

(12) **United States Design Patent**
Hilton et al.

(10) **Patent No.:** **US D622,647 S**

(45) **Date of Patent:** **** Aug. 31, 2010**

(54) **EXHAUST PIPE FOR REMOTE CONTROL VEHICLE**

(75) Inventors: **Lance A. Hilton**, Mayfield, UT (US);
Chad D. Wagenman, Pleasant Grove, UT (US)

(73) Assignee: **Dave's Discount Motors, Inc.**, Salt Lake City, UT (US)

(**) Term: **14 Years**

(21) Appl. No.: **29/360,108**

(22) Filed: **Apr. 20, 2010**

(51) **LOC (9) Cl.** **12-16**

(52) **U.S. Cl.** **D12/194**

(58) **Field of Classification Search** D12/194;
D15/5; 293/113; 29/890.08; 180/89.2, 296,
180/309; 181/247-249, 264, 282, 239-241,
181/227, 228; 138/44, 37-39, 103, 109;
60/303, 313, 323; 446/456, 477, 495

See application file for complete search history.

(56) **References Cited**

U.S. PATENT DOCUMENTS

D299,917 S * 2/1989 Lessel D12/194
D551,607 S * 9/2007 LaRussa D12/194

* cited by examiner

Primary Examiner—T. Chase Nelson
Assistant Examiner—Michael A Pratt
(74) *Attorney, Agent, or Firm*—Brian C. Trask

(57) **CLAIM**

The ornamental design for the exhaust pipe for remote control vehicle, as shown.

DESCRIPTION

FIG. 1 is a perspective view of an exhaust pipe for remote control vehicle showing an embodiment of our new design;

FIG. 2 is a front view of the exhaust pipe for remote control vehicle of FIG. 1;

FIG. 3 is a back view of the exhaust pipe for remote control vehicle of FIG. 1;

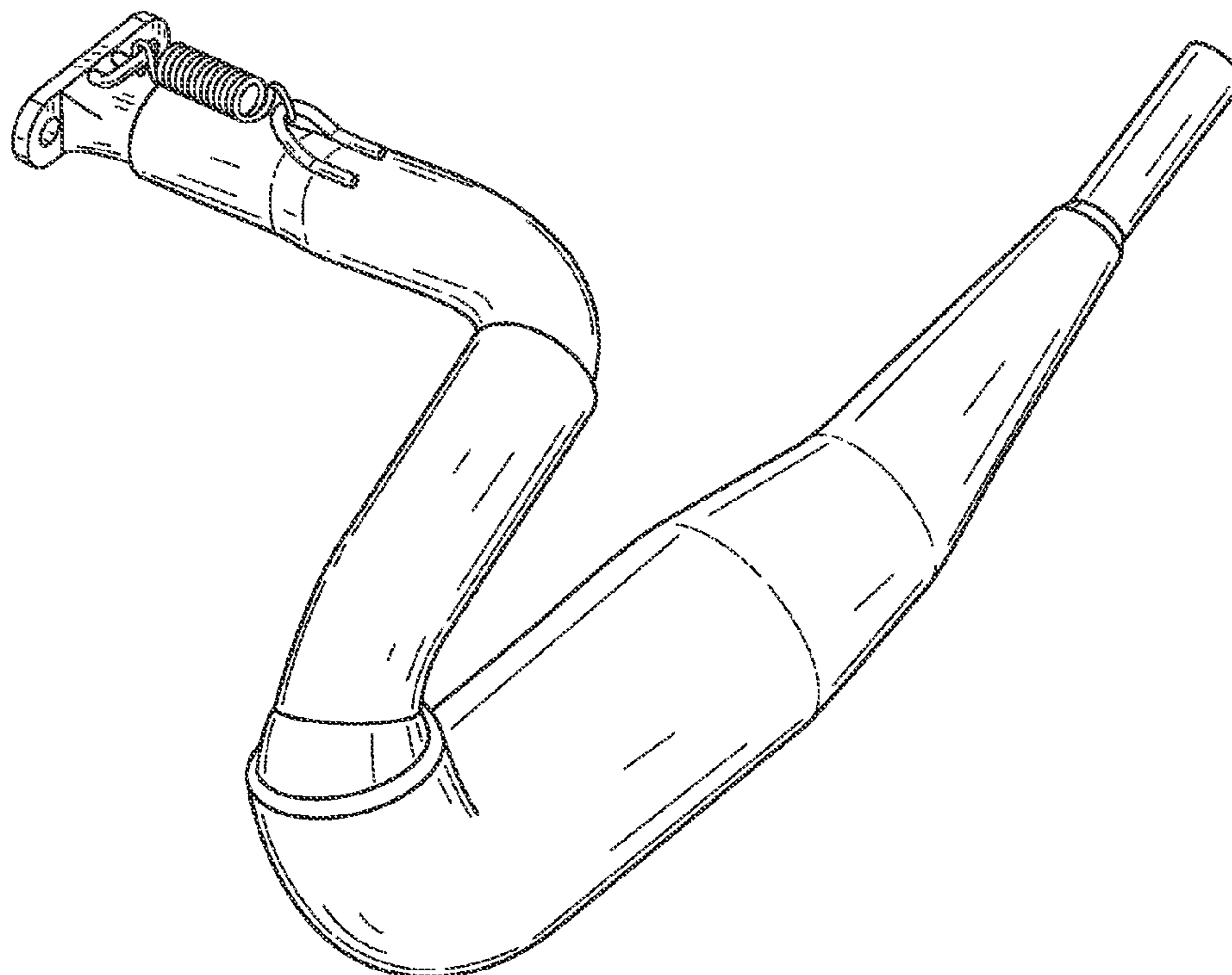
FIG. 4 is a right side view of the exhaust pipe for remote control vehicle of FIG. 1;

FIG. 5 is a left side view of the exhaust pipe for remote control vehicle of FIG. 1;

FIG. 6 is a top view of the exhaust pipe for remote control vehicle of FIG. 1; and,

FIG. 7 is a bottom view of the exhaust pipe for remote control vehicle of FIG. 1.

1 Claim, 5 Drawing Sheets



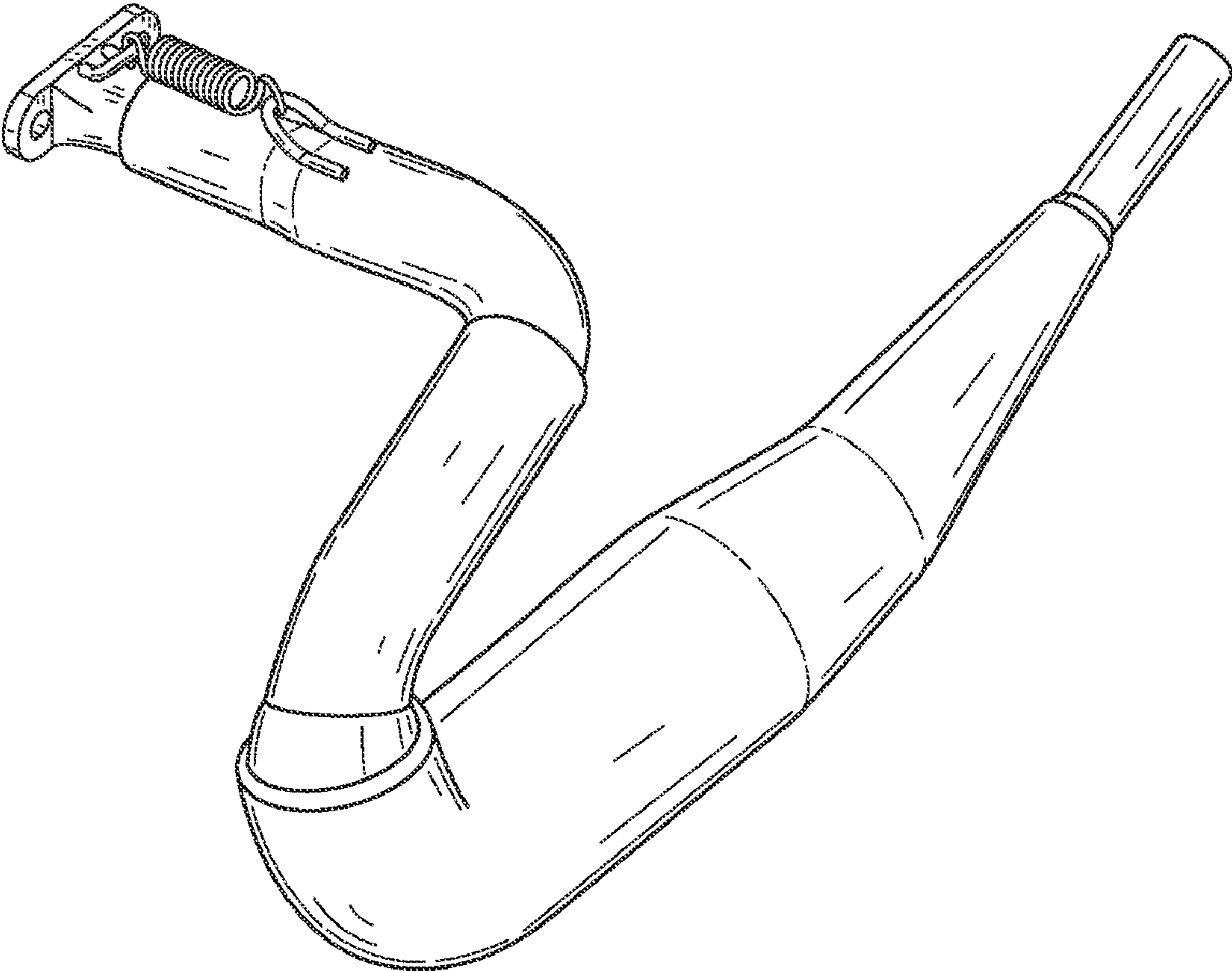


FIG. 1

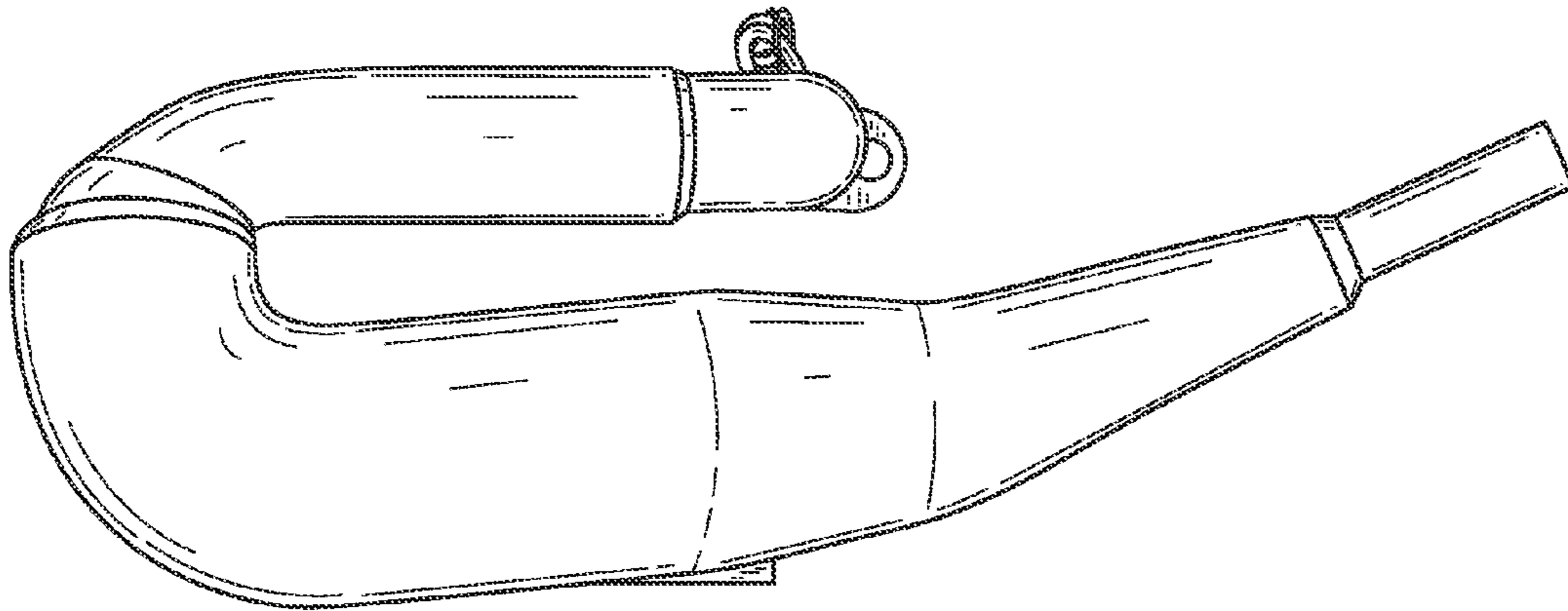


FIG. 2

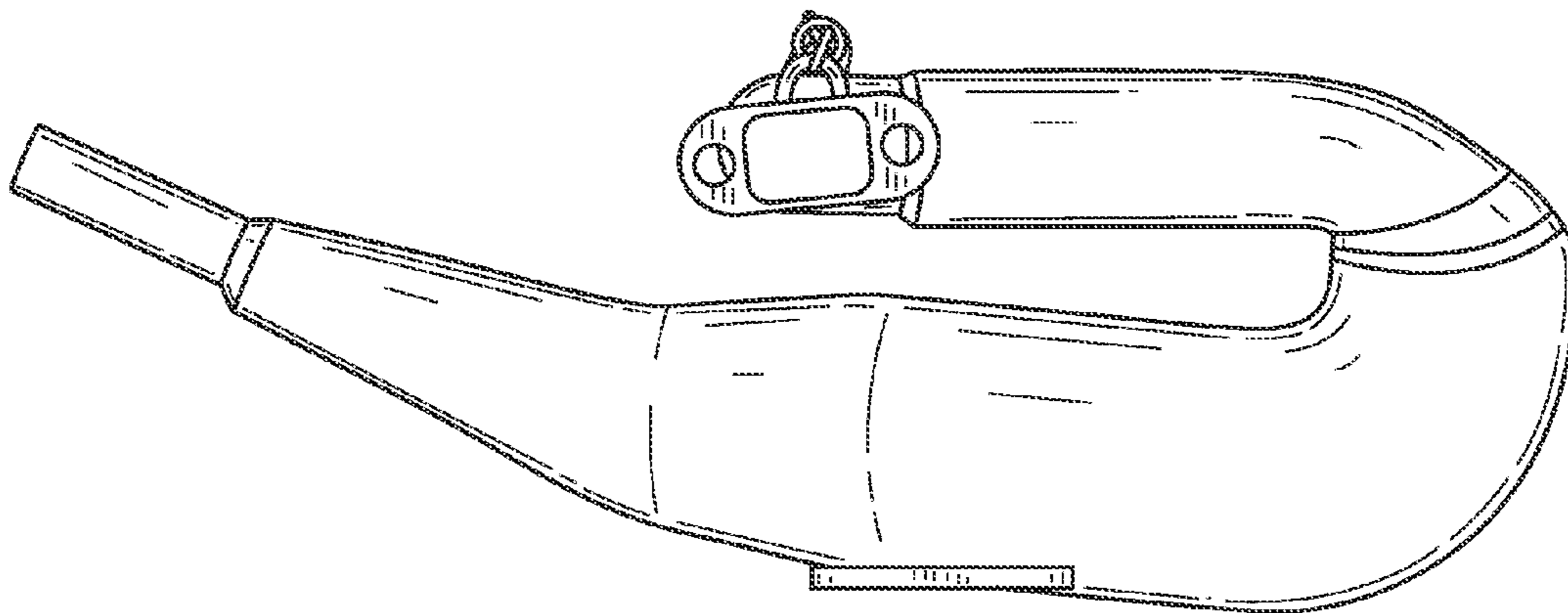


FIG. 3

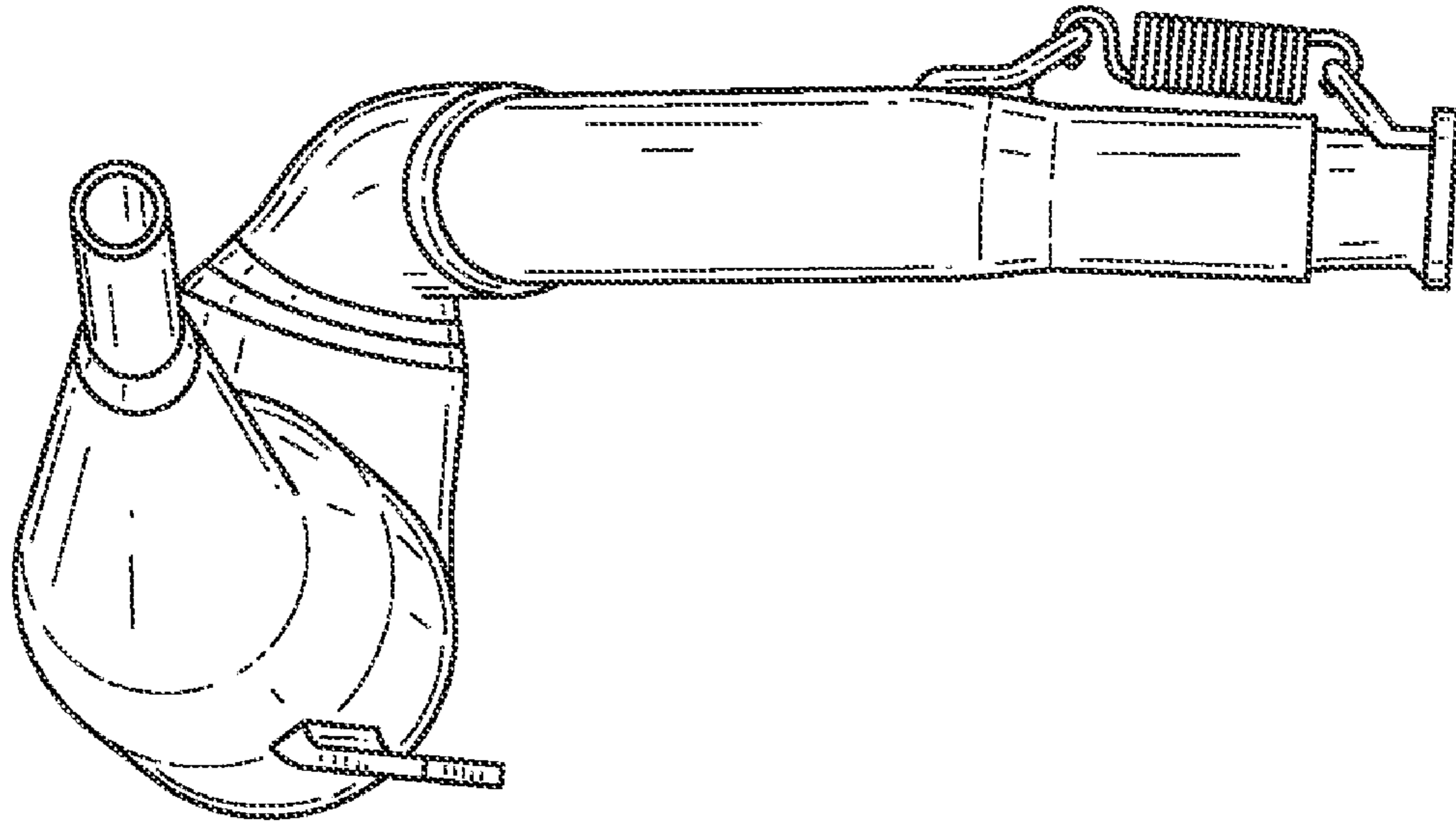


FIG. 4

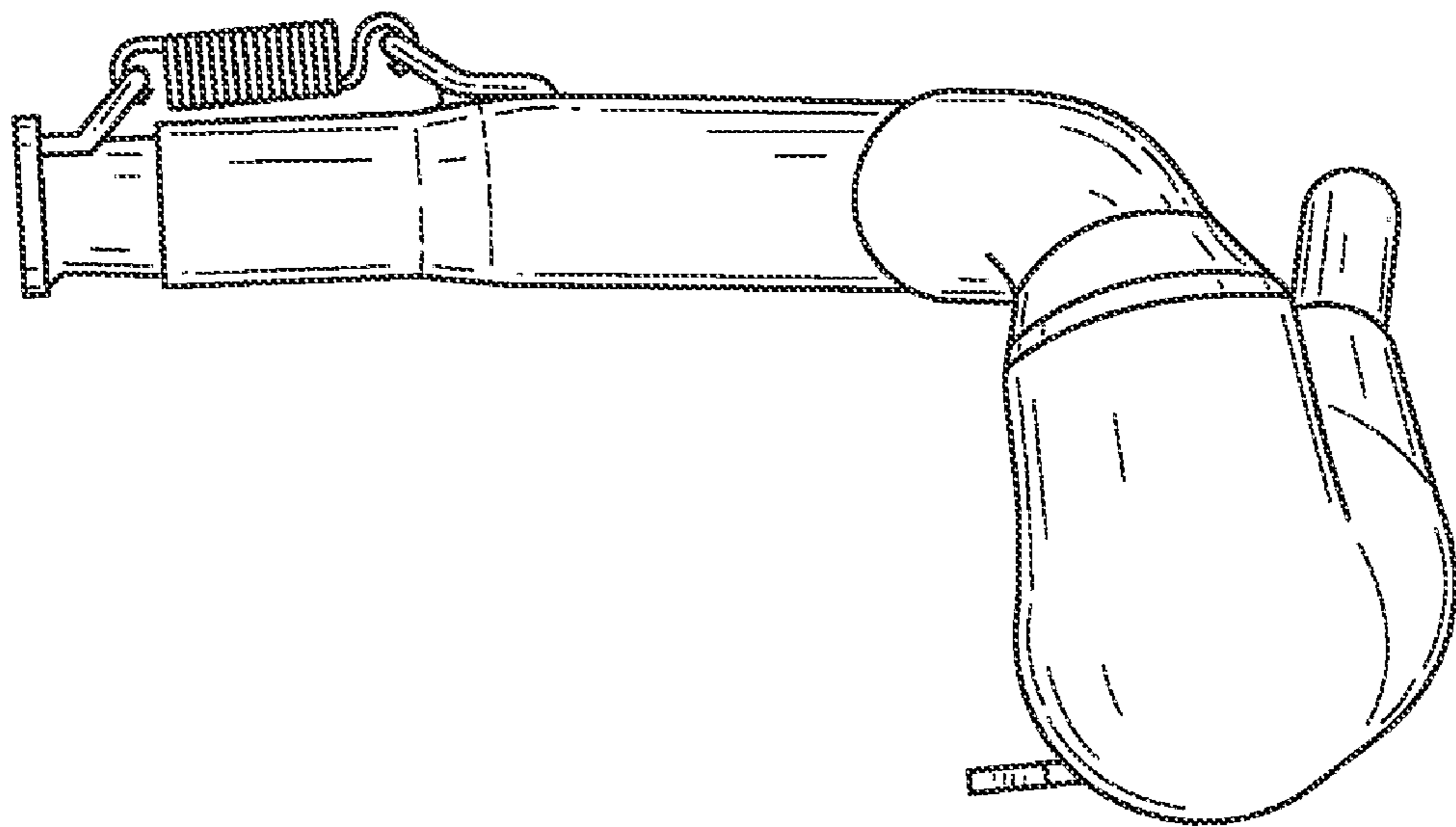


FIG. 5

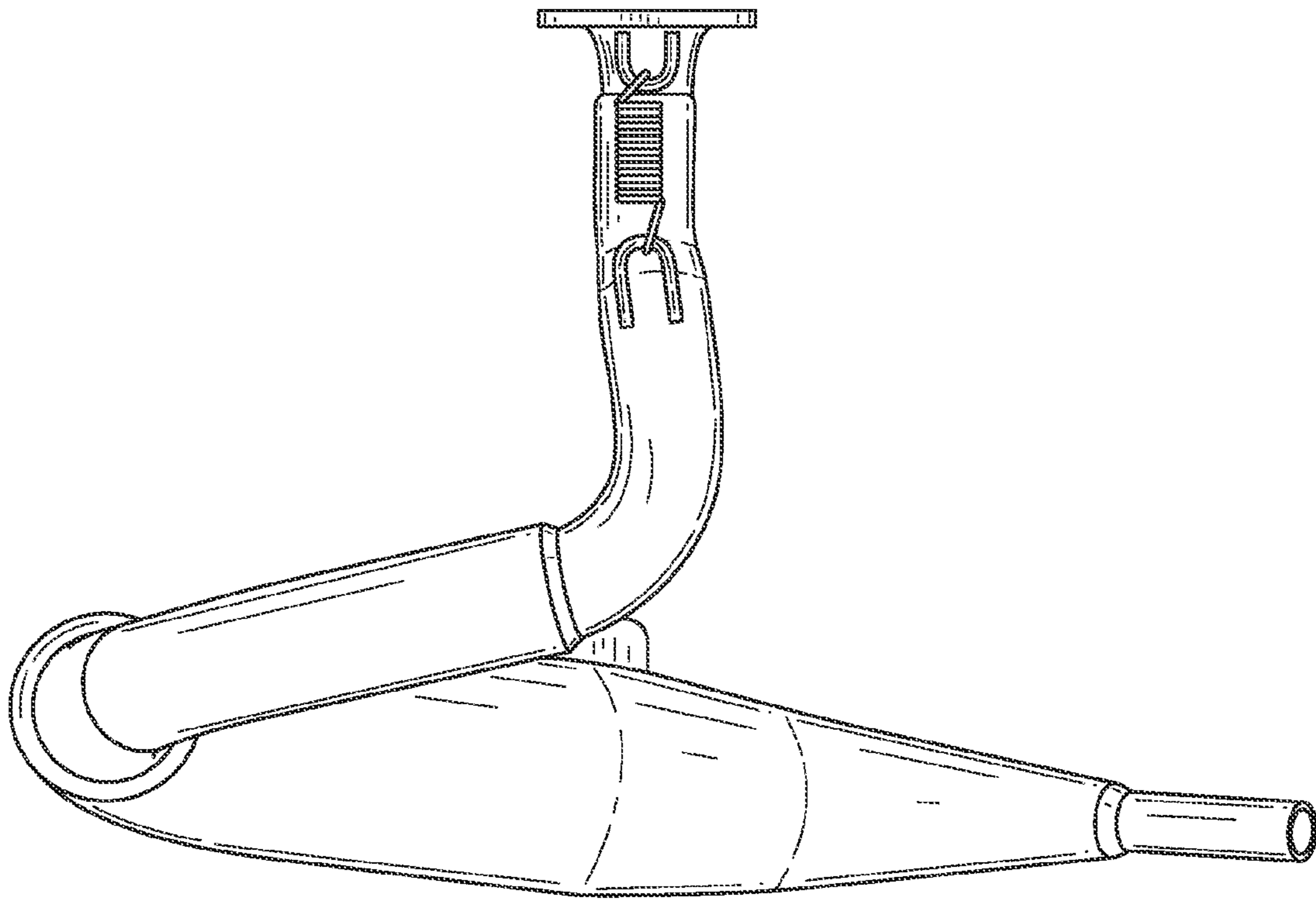


FIG. 6

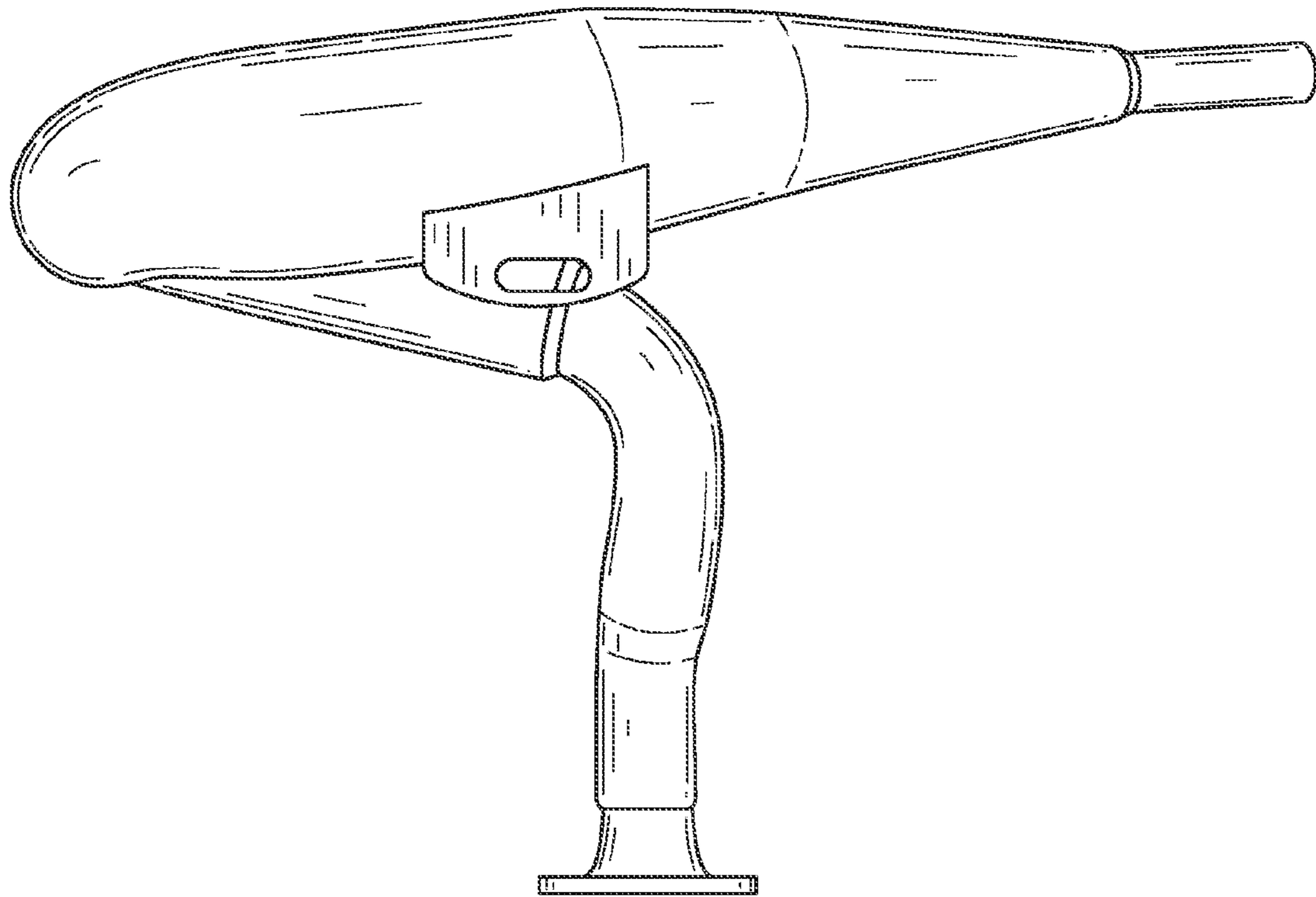


FIG.7