



US00D622643S

(12) **United States Design Patent**
Ovid

(10) **Patent No.:** **US D622,643 S**

(45) **Date of Patent:** **** Aug. 31, 2010**

(54) **TOW HITCH SAFETY COVER**

(76) **Inventor:** **Errol Ovid**, 911D Caminito Estrada,
Carlsbad, CA (US) 92011

(**) **Term:** **14 Years**

(21) **Appl. No.:** **29/313,749**

(22) **Filed:** **Feb. 6, 2009**

(51) **LOC (9) Cl.** **12-16**

(52) **U.S. Cl.** **D12/162**

(58) **Field of Classification Search** D6/443;
206/315.9; D12/161-162; 150/154-155;
280/186, 477, 507, 511; D3/257-258

See application file for complete search history.

(56) **References Cited**

U.S. PATENT DOCUMENTS

1,410,605	A *	3/1922	Schacht	215/319
2,714,912	A *	8/1955	Gonnella	150/154
D190,636	S *	6/1961	Schlosser	D12/162
3,228,445	A *	1/1966	Mayotte	280/159
3,327,280	A *	6/1967	Levine et al.	439/135
3,596,926	A	8/1971	Randall		
4,181,320	A *	1/1980	Wellborn, Jr.	280/507
4,869,305	A *	9/1989	Jones	150/155
4,955,968	A	9/1990	Beckerer, Jr.		
5,037,122	A	8/1991	Beckerer, Jr.		
D336,880	S *	6/1993	Drummond	D12/162
D359,018	S	6/1995	Thigpen		
D409,537	S	5/1999	Adelaar		
6,102,424	A	8/2000	Cole, Jr. et al.		
D436,065	S	1/2001	Peng		
D438,425	S *	3/2001	Agnew	D7/392

6,322,094	B1	11/2001	Poe		
6,485,505	B1 *	11/2002	Vasquez	606/234
D466,373	S *	12/2002	Haskins et al.	D7/607
D475,328	S	6/2003	Murguia		
6,832,775	B1	12/2004	Muller		
D526,603	S	8/2006	Gates, II		
7,204,507	B1 *	4/2007	James	280/507
D575,214	S *	8/2008	Valadao	D12/194

* cited by examiner

Primary Examiner—T. Chase Nelson

Assistant Examiner—Kathleen M Sims

(74) *Attorney, Agent, or Firm*—Montgomery Patent and Design; Joseph T Yaksich; Robert C. Montgomery

(57) **CLAIM**

The ornamental design for a tow hitch safety cover, as shown and described.

DESCRIPTION

FIG. 1 is a perspective view of a tow hitch safety cover, showing my new design;

FIG. 2 is a front view thereof;

FIG. 3 is a rear view thereof;

FIG. 4 is a right side view thereof;

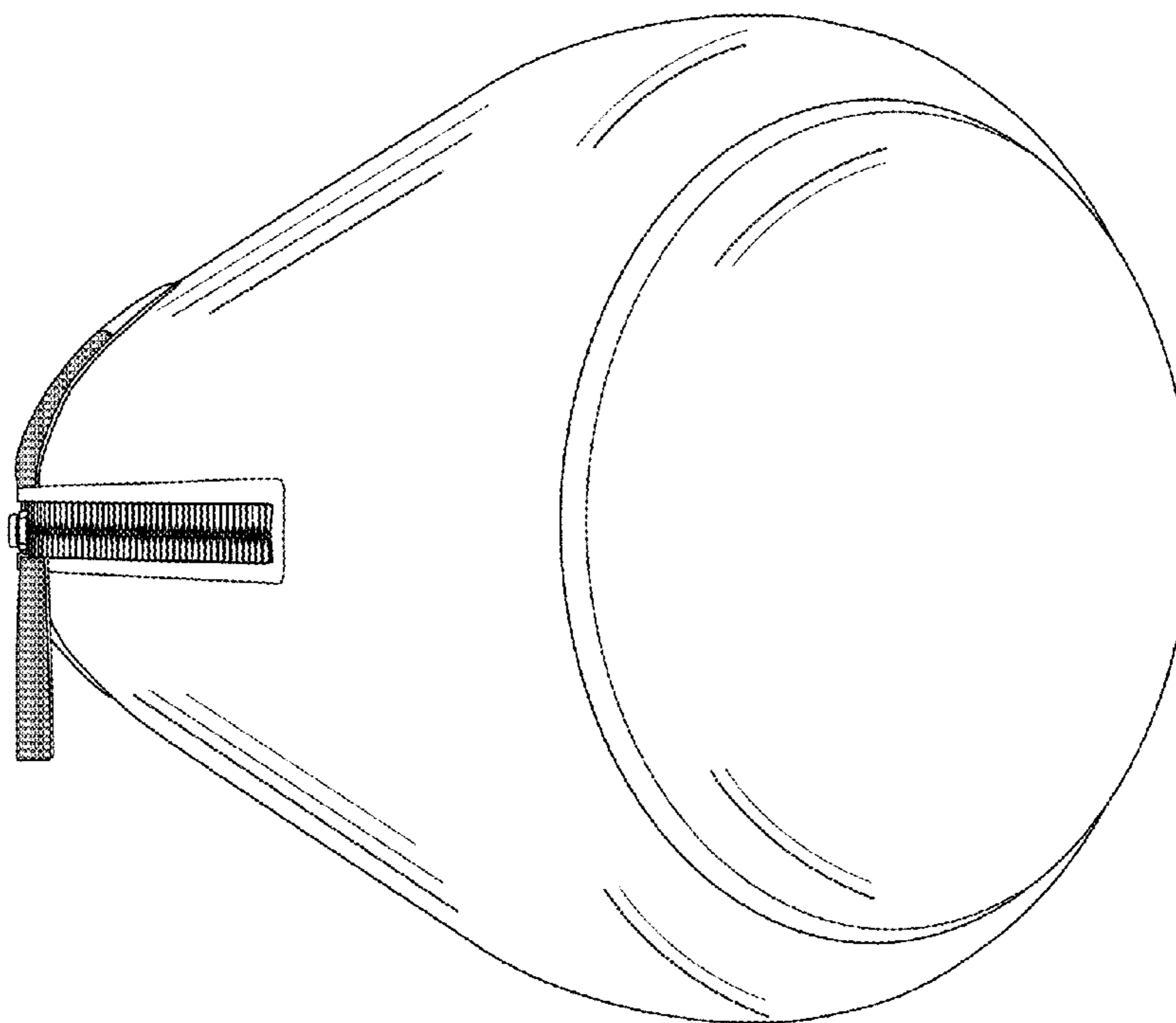
FIG. 5 is a left side view thereof;

FIG. 6 is a top view thereof; and,

FIG. 7 is a bottom view thereof.

The crosshatching pattern shown in FIGS. 1, 3, 5, and 6 represent hook and loop fasteners.

1 Claim, 7 Drawing Sheets



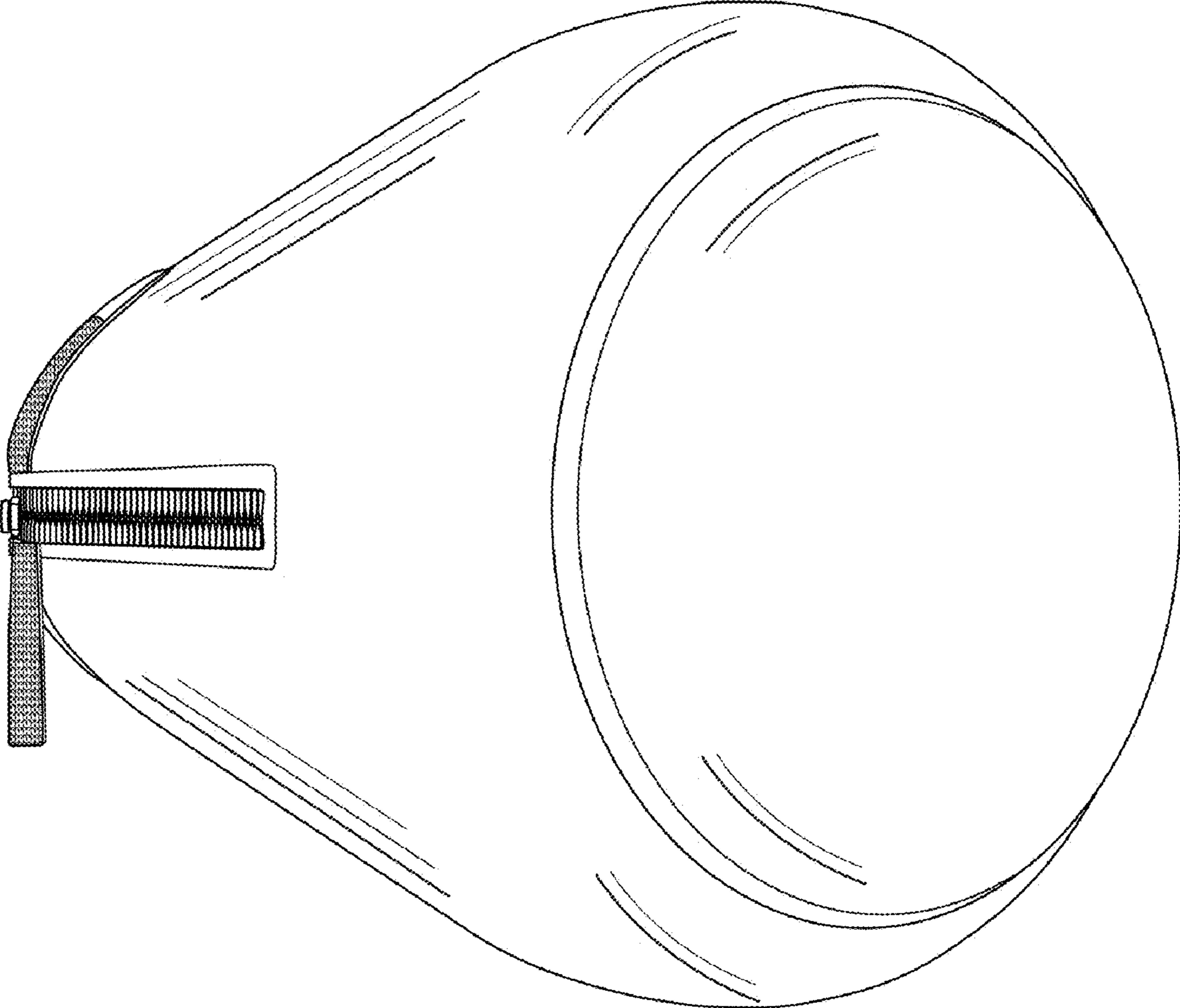


Fig. 1

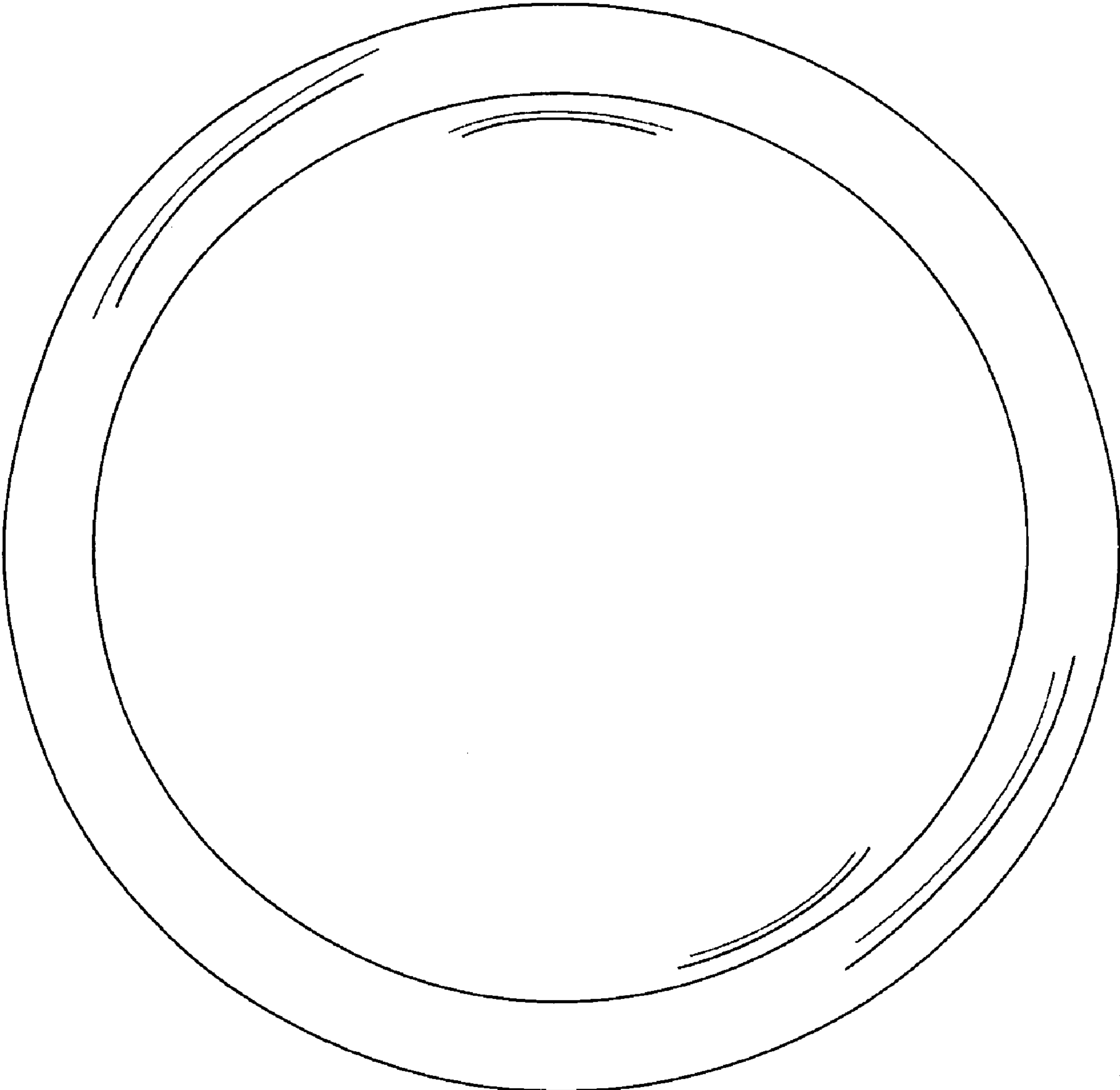


Fig. 2

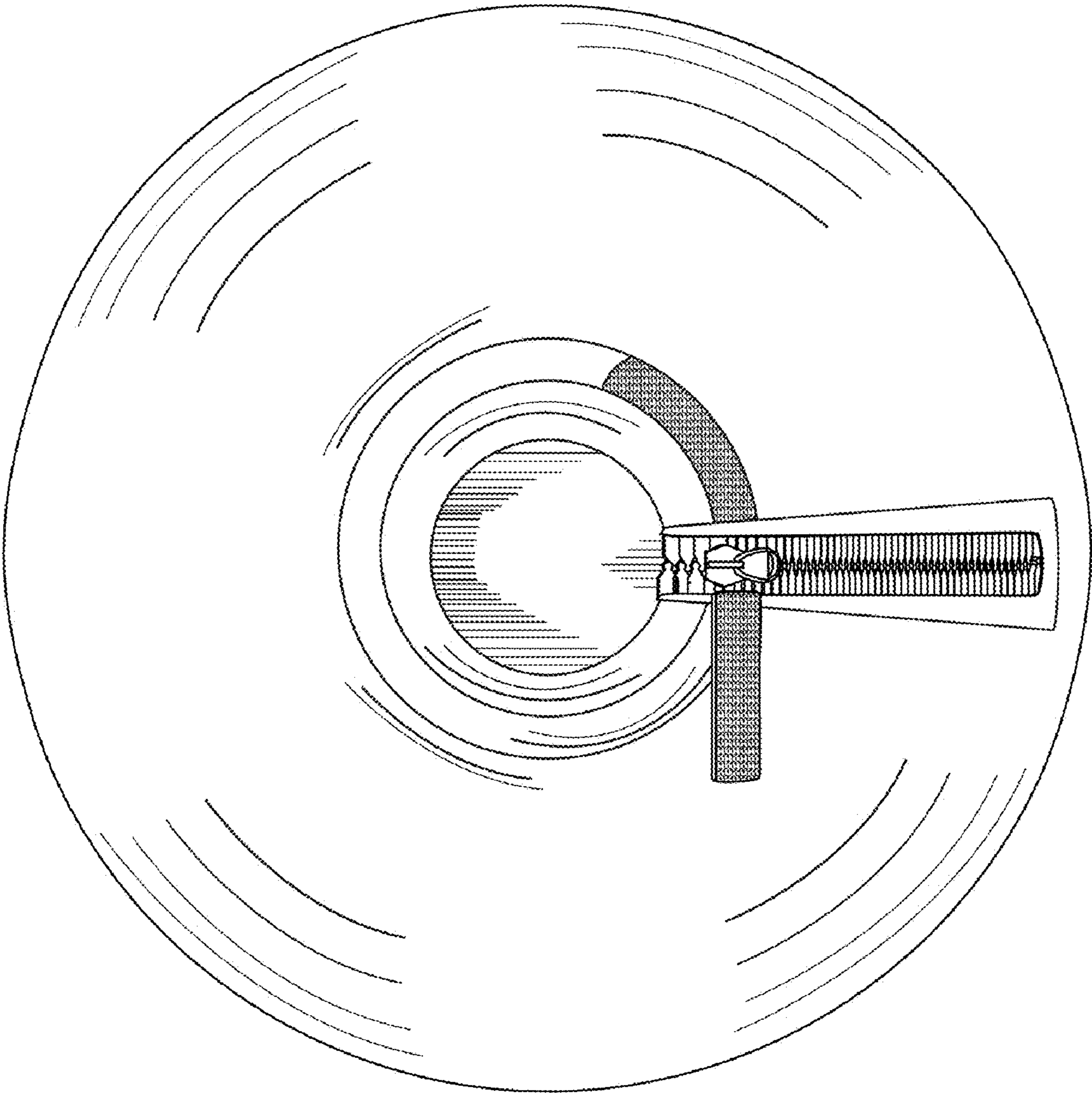


Fig. 3

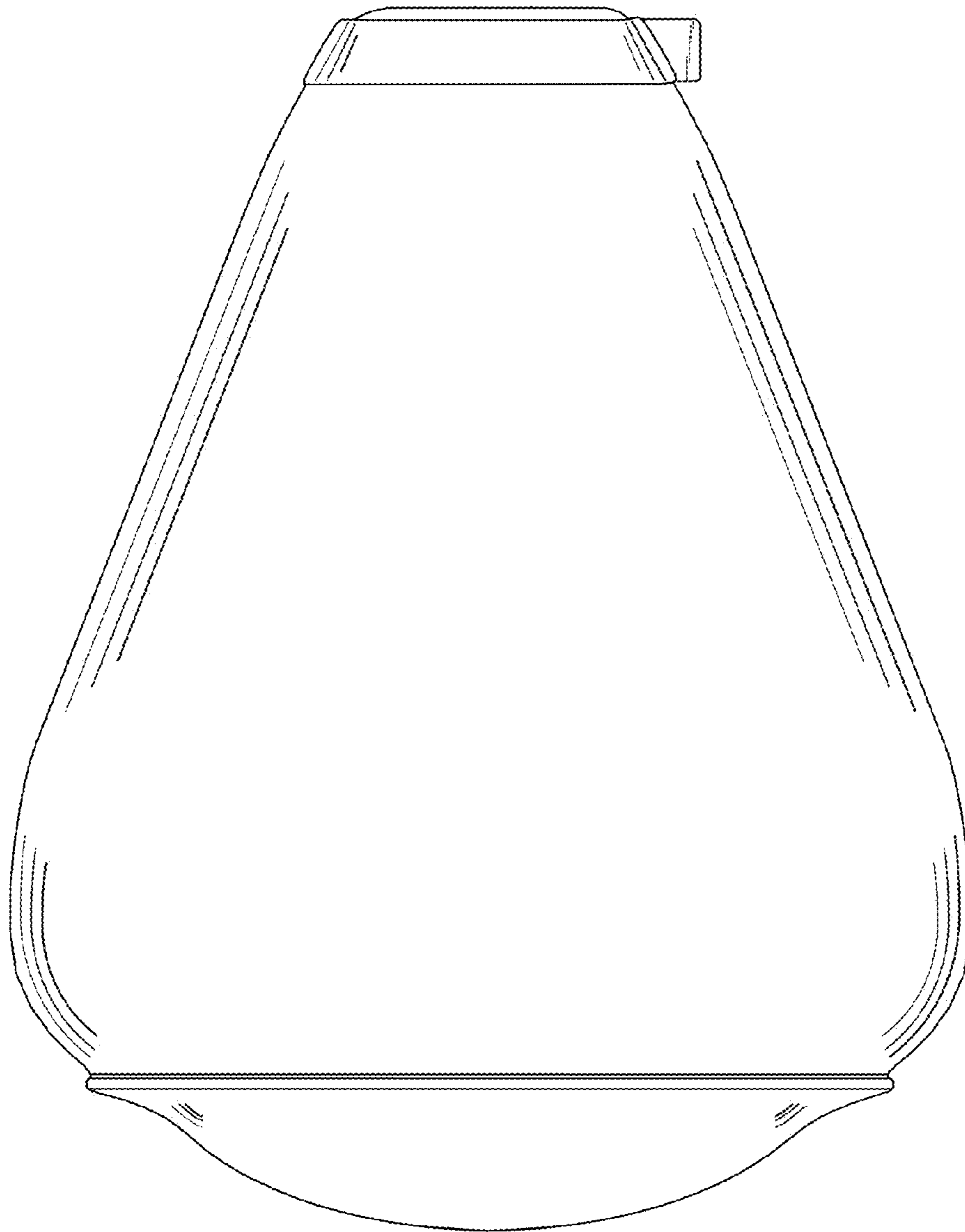


Fig. 4

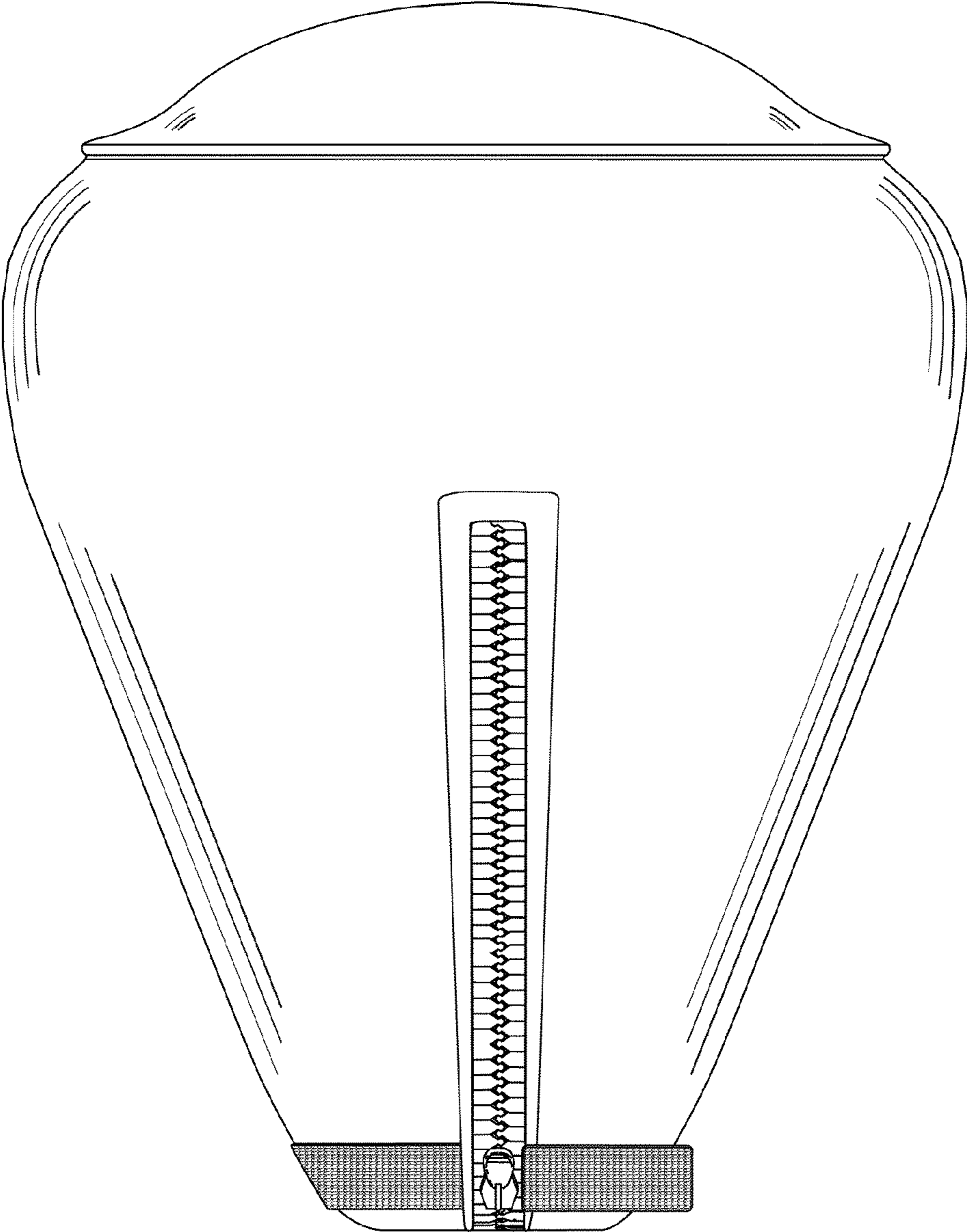


Fig. 5

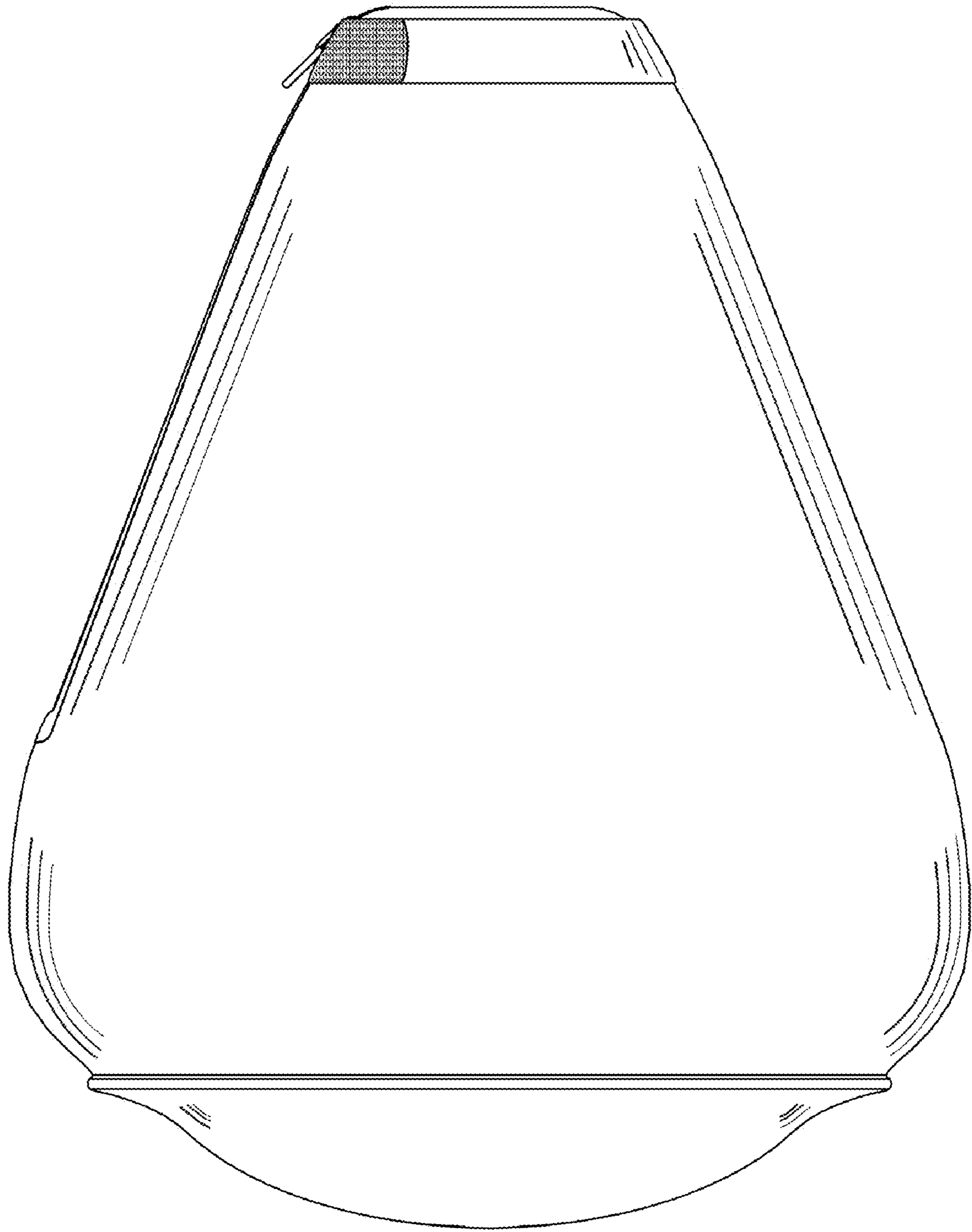


Fig. 6

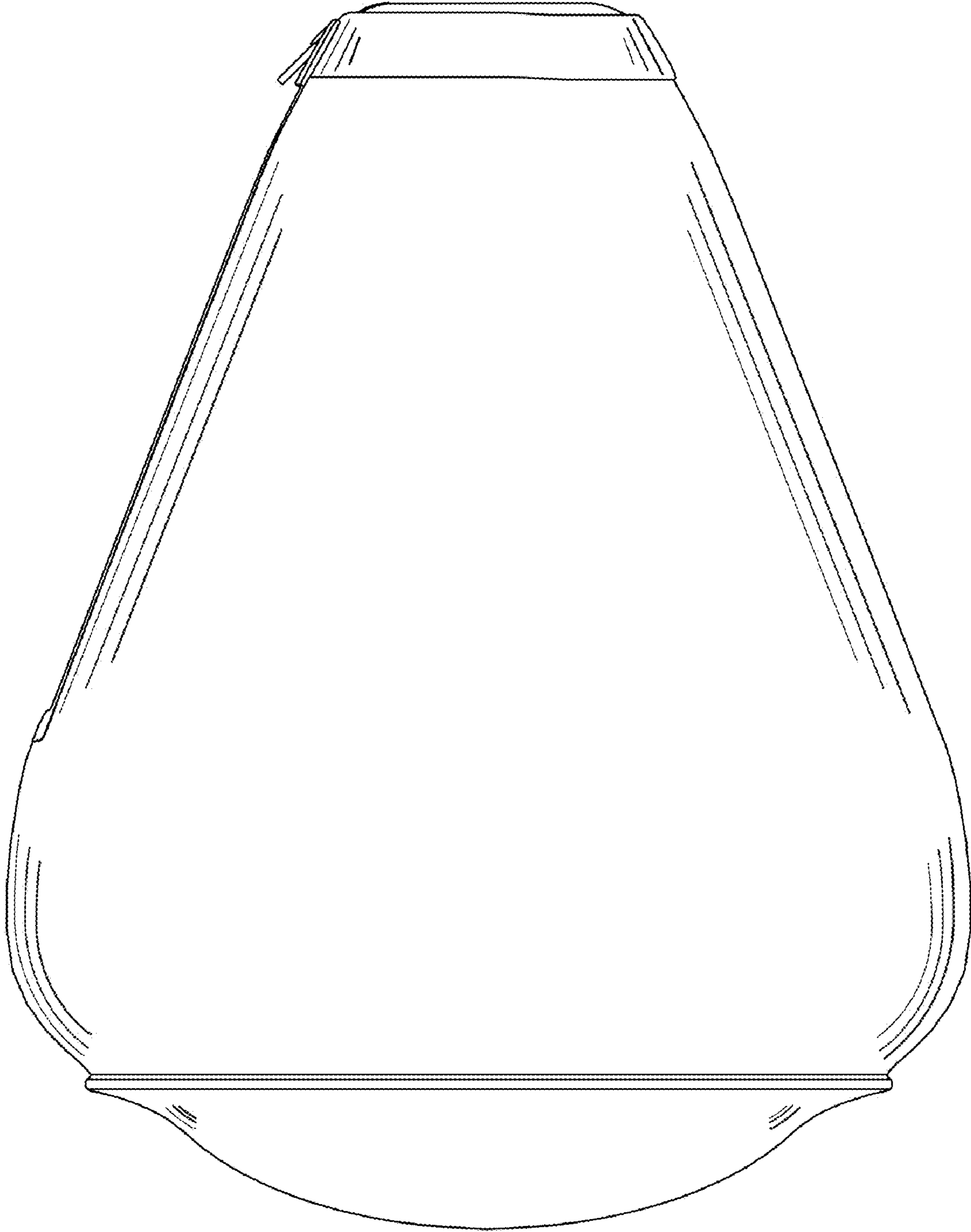


Fig. 7