



US00D622641S

(12) **United States Design Patent**  
**Chen et al.**

(10) **Patent No.:** **US D622,641 S**

(45) **Date of Patent:** **\*\* Aug. 31, 2010**

(54) **WHEELCHAIR**

(75) Inventors: **Cheng-Nan Chen**, Chiayi Hsien (TW);  
**Yu-Chiung Chen**, Chiayi Hsien (TW)

(73) Assignee: **Karma Medical Products, Co., Ltd.**,  
Chiayi Hsien (TW)

(\*\*) Term: **14 Years**

(21) Appl. No.: **29/346,223**

(22) Filed: **Oct. 28, 2009**

(30) **Foreign Application Priority Data**

Jun. 25, 2009 (CN) ..... 2009 3 0192859

(51) **LOC (9) Cl.** ..... **12-12**

(52) **U.S. Cl.** ..... **D12/131**

(58) **Field of Classification Search** ..... D12/128-133;  
280/62, 647-650, 29, 200, 47.38, 250.1,  
280/259, 642, 658; 297/DIG. 4; 296/65.03,  
296/65.04; 224/209; 414/921; 135/65-67,  
135/74

See application file for complete search history.

(56) **References Cited**

**U.S. PATENT DOCUMENTS**

D254,192 S \* 2/1980 Honzyou ..... D12/131

4,574,901 A \* 3/1986 Joyner ..... 180/65.1  
5,141,250 A \* 8/1992 Morgan et al. .... 280/250.1  
5,186,480 A \* 2/1993 Morgan et al. .... 280/250.1  
5,560,627 A \* 10/1996 Zatulovsky et al. .... 280/42  
7,537,237 B2 \* 5/2009 Chung et al. .... 280/647

\* cited by examiner

*Primary Examiner*—Ian Simmons

*Assistant Examiner*—Charles D Hanson

(74) *Attorney, Agent, or Firm*—WPAT, P.C.; Anthony King

(57) **CLAIM**

We claim, the ornamental design for a wheelchair, as shown and described.

**DESCRIPTION**

FIG. 1 is a perspective view of a wheelchair showing my present design;

FIG. 2 is a front view thereof;

FIG. 3 is a rear view thereof;

FIG. 4 is a left view thereof;

FIG. 5 is a right view thereof;

FIG. 6 is a top plan view thereof; and,

FIG. 7 is a bottom plan view.

**1 Claim, 7 Drawing Sheets**





FIG. 1

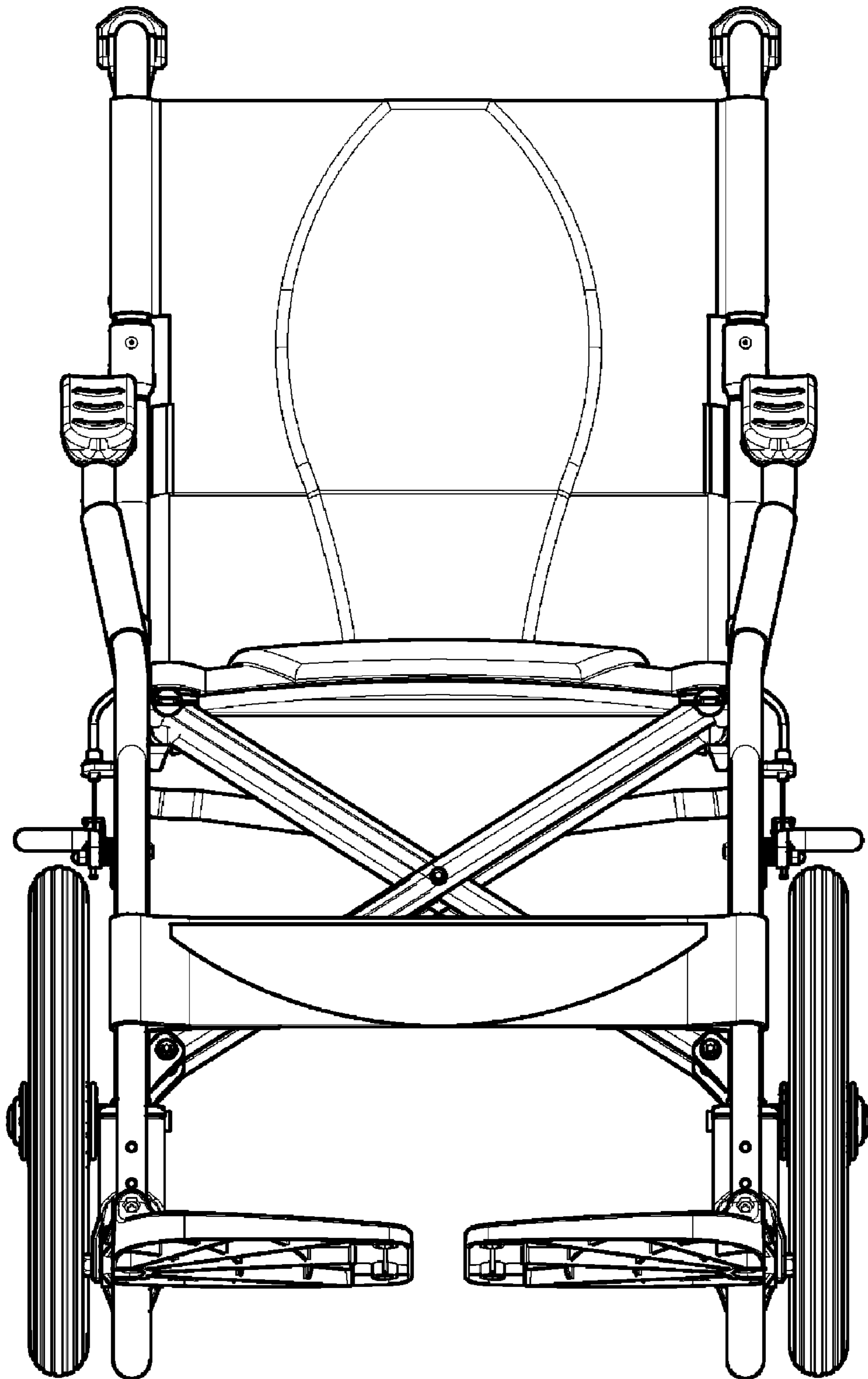


FIG. 2

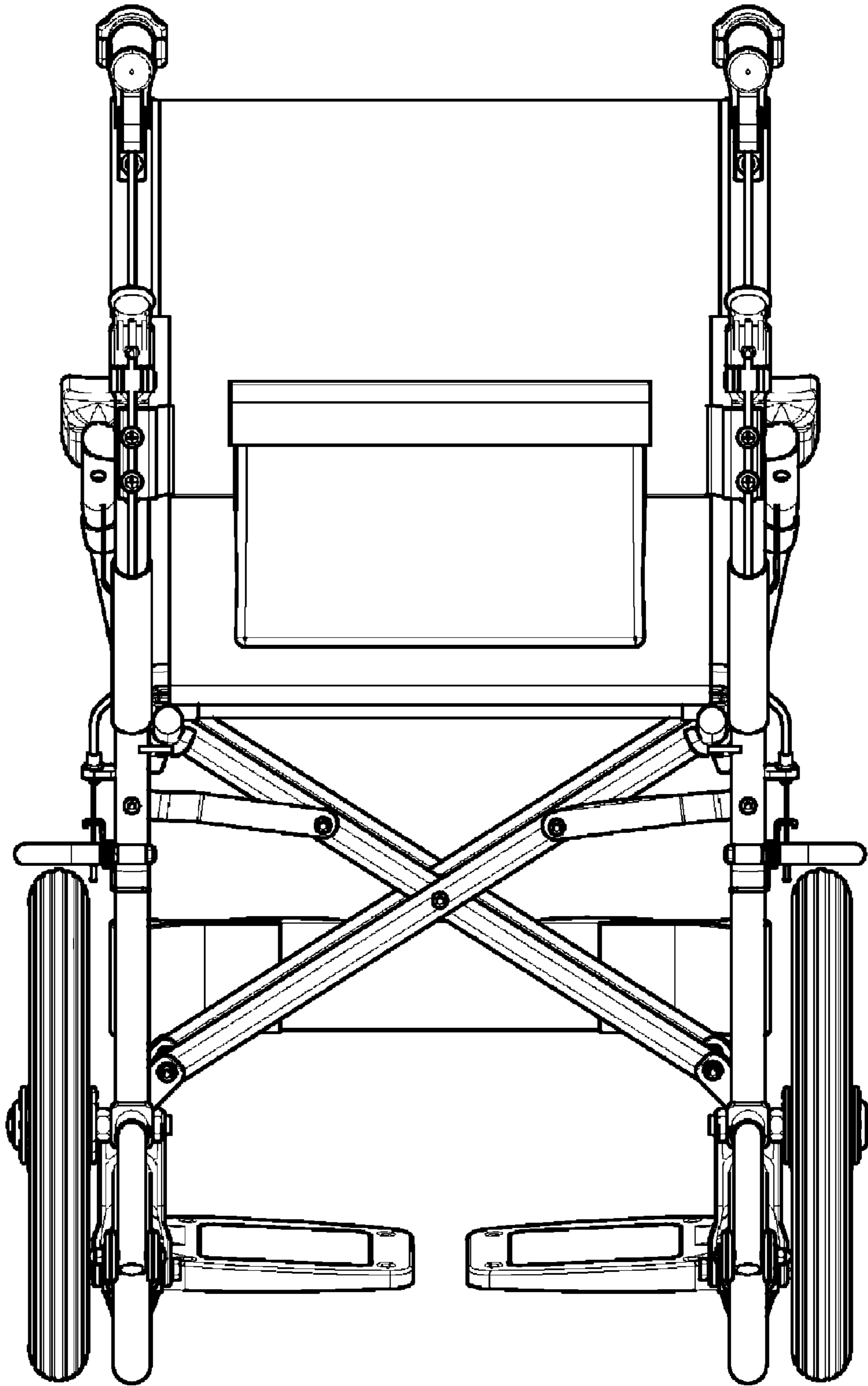


FIG. 3

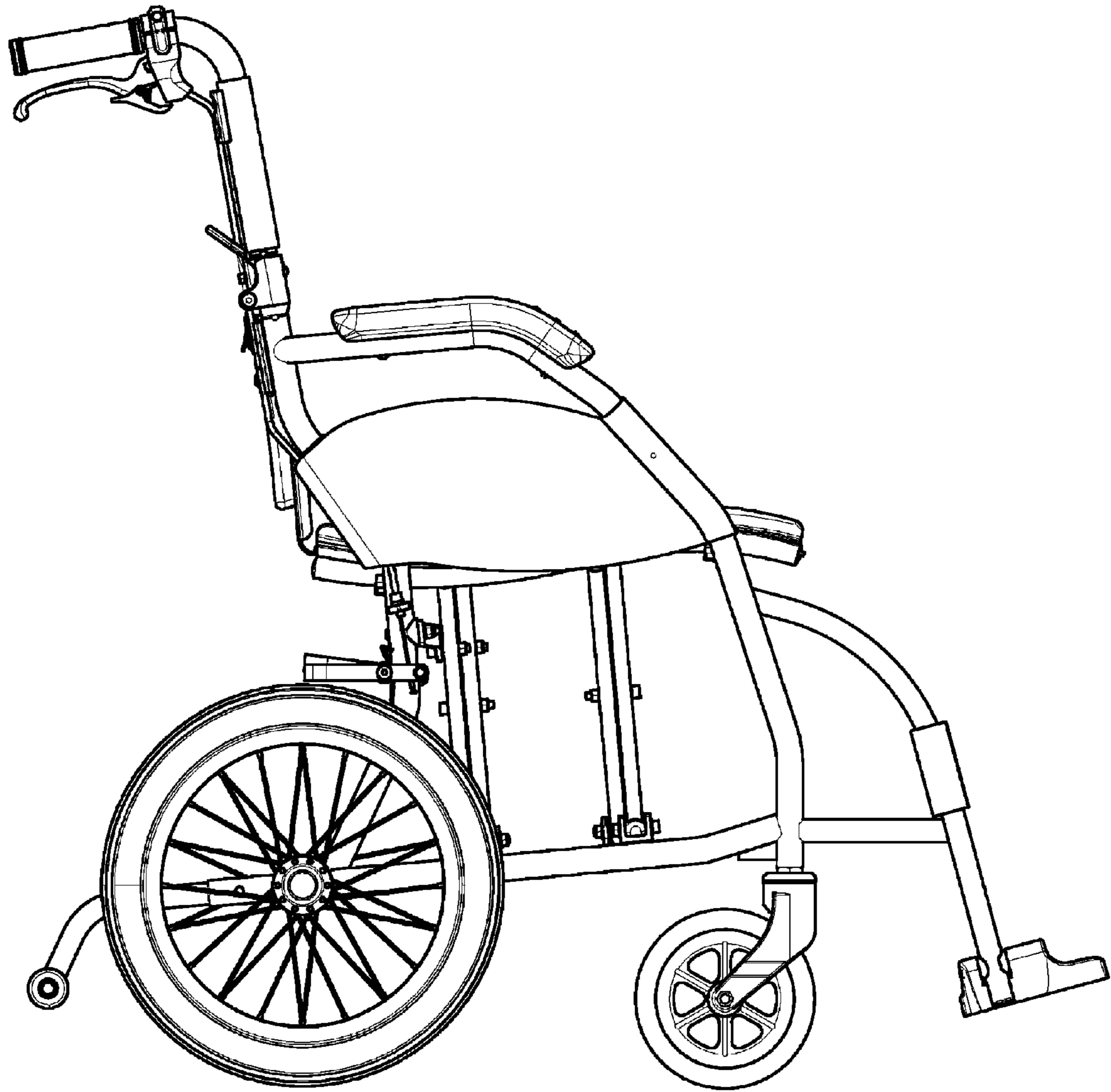


FIG. 4

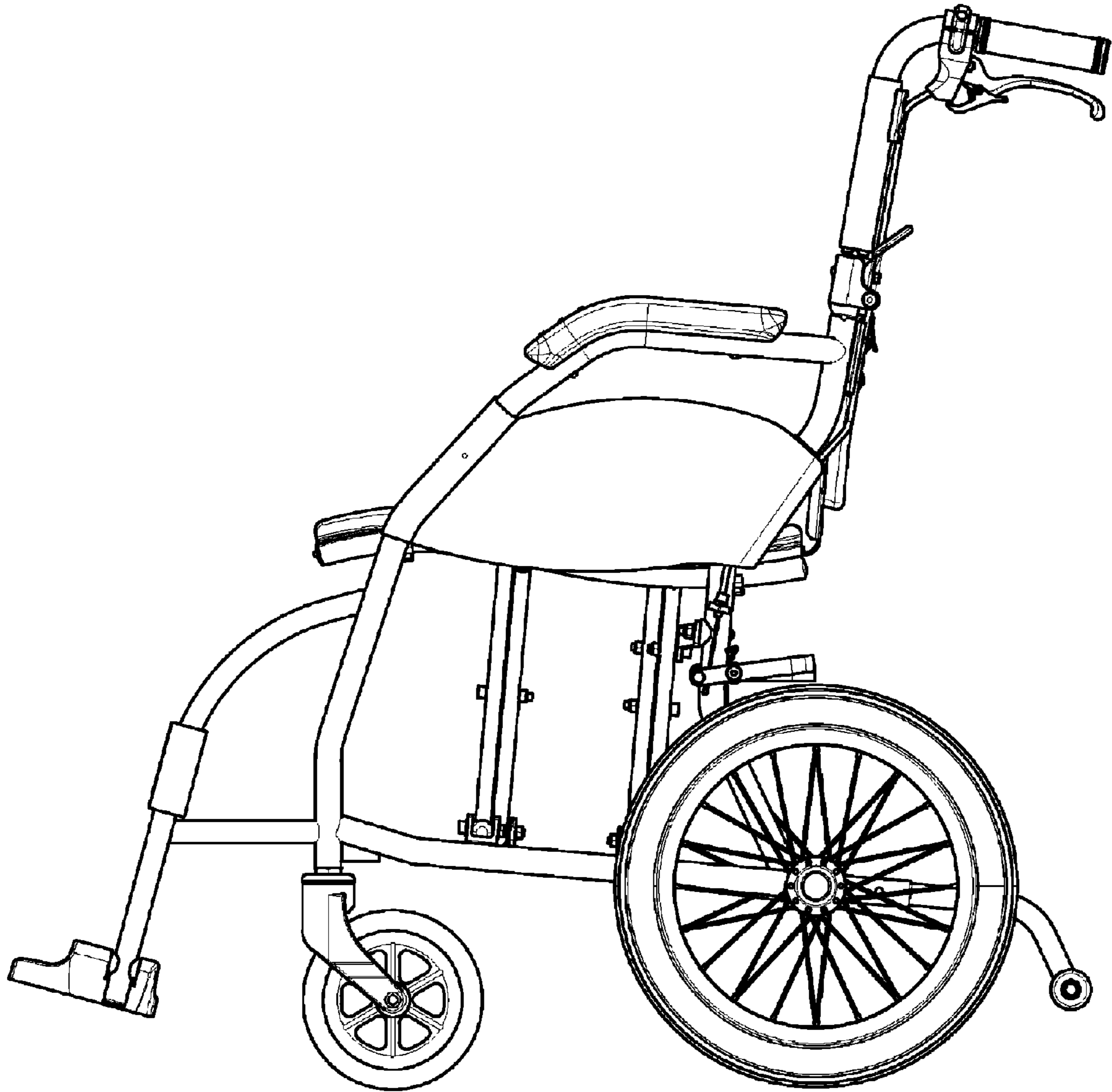


FIG. 5

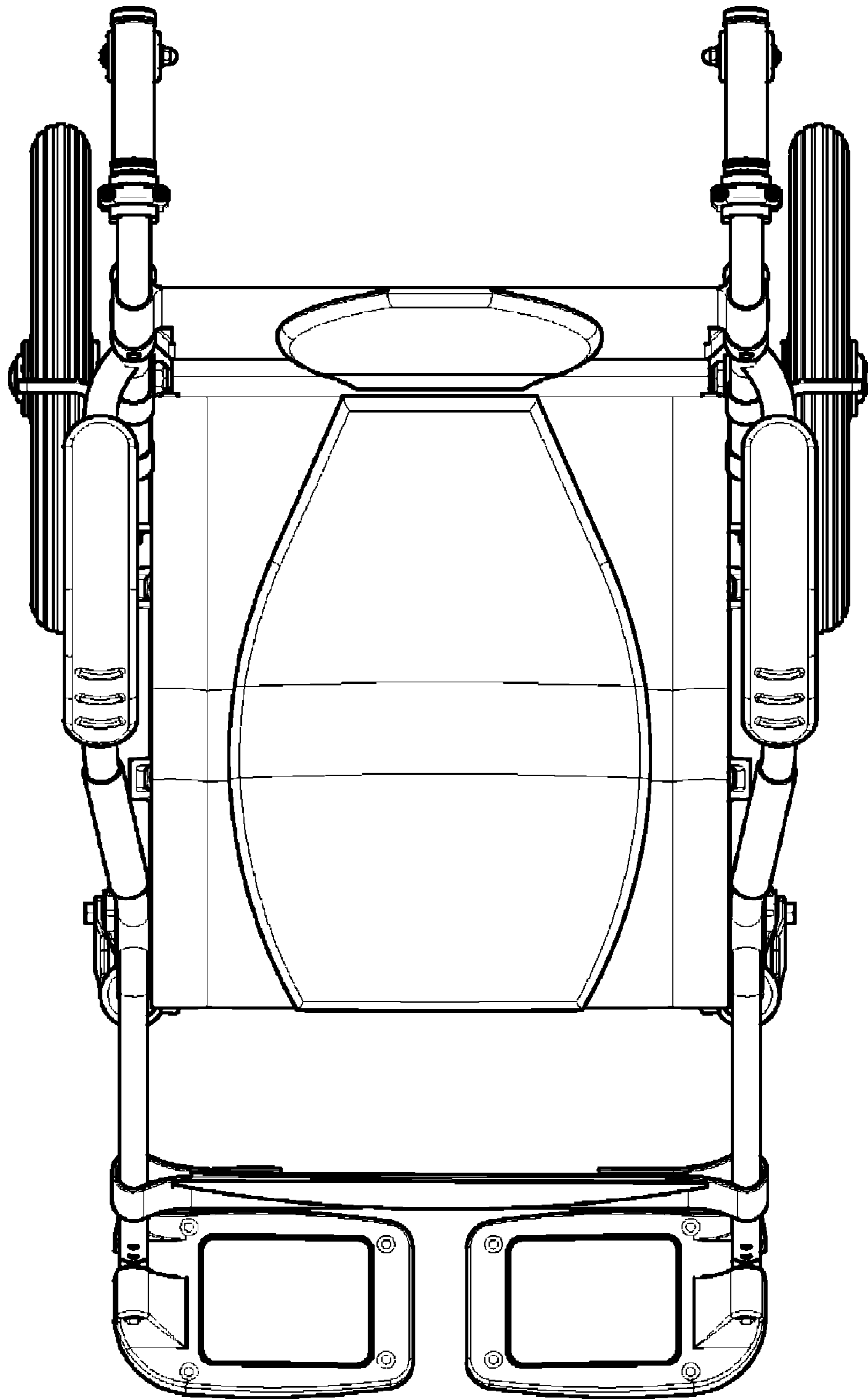


FIG. 6

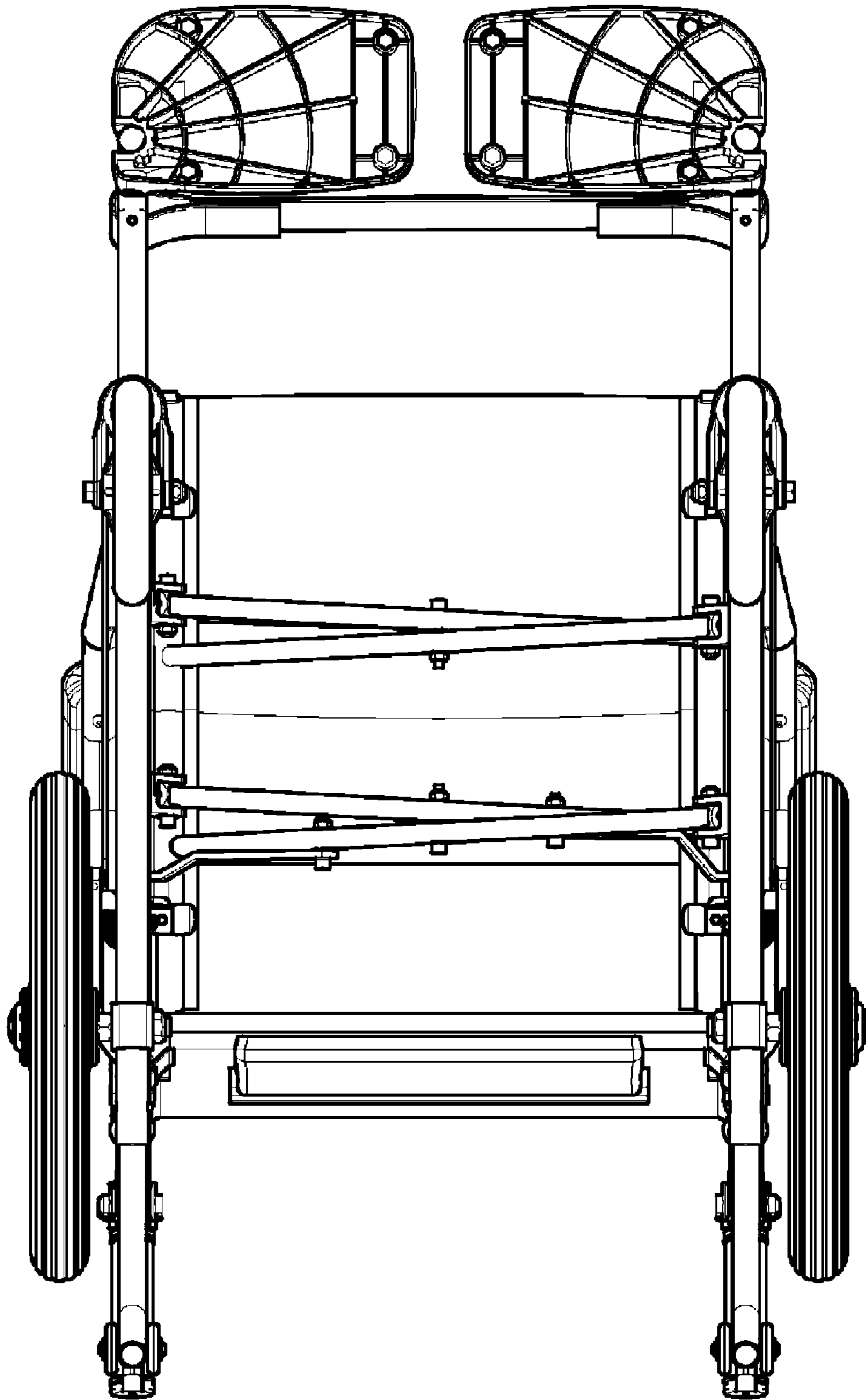


FIG. 7