



US00D622639S

(12) **United States Design Patent**
Brockmeyer

(10) **Patent No.:** **US D622,639 S**

(45) **Date of Patent:** **** Aug. 31, 2010**

(54) **TRICYCLE**

(76) **Inventor:** **Eric Lee Brockmeyer**, 1455 Knoll
Ridge Dr., Viera, FL (US) 32940

(**) **Term:** **14 Years**

(21) **Appl. No.:** **29/345,649**

(22) **Filed:** **Oct. 20, 2009**

(51) **LOC (9) Cl.** **12-11**

(52) **U.S. Cl.** **D12/113**

(58) **Field of Classification Search** D12/112,
D12/113; 280/62, 281.1, 282, 270, 271,
280/288.1-288.3, 259; D21/435, 538, 432;
446/440

See application file for complete search history.

(56) **References Cited**

U.S. PATENT DOCUMENTS

D334,157 S *	3/1993	Tonelli	D12/113
D436,896 S *	1/2001	Chiappepta et al.	D12/113
D436,897 S *	1/2001	Chiappepta et al.	D12/113
D461,145 S *	8/2002	Chiappepta et al.	D12/113

* cited by examiner

Primary Examiner—Philip S Hyder
Assistant Examiner—Linda G. Brooks

(74) *Attorney, Agent, or Firm*—Askan A. Aminian; Kremblas
& Foster

(57) **CLAIM**

The ornamental design for a tricycle, as shown and described.

DESCRIPTION

FIG. 1 is a front perspective view of a tricycle showing my new design.

FIG. 2 is a front view thereof.

FIG. 3 is a rear view thereof.

FIG. 4 is a right side view thereof.

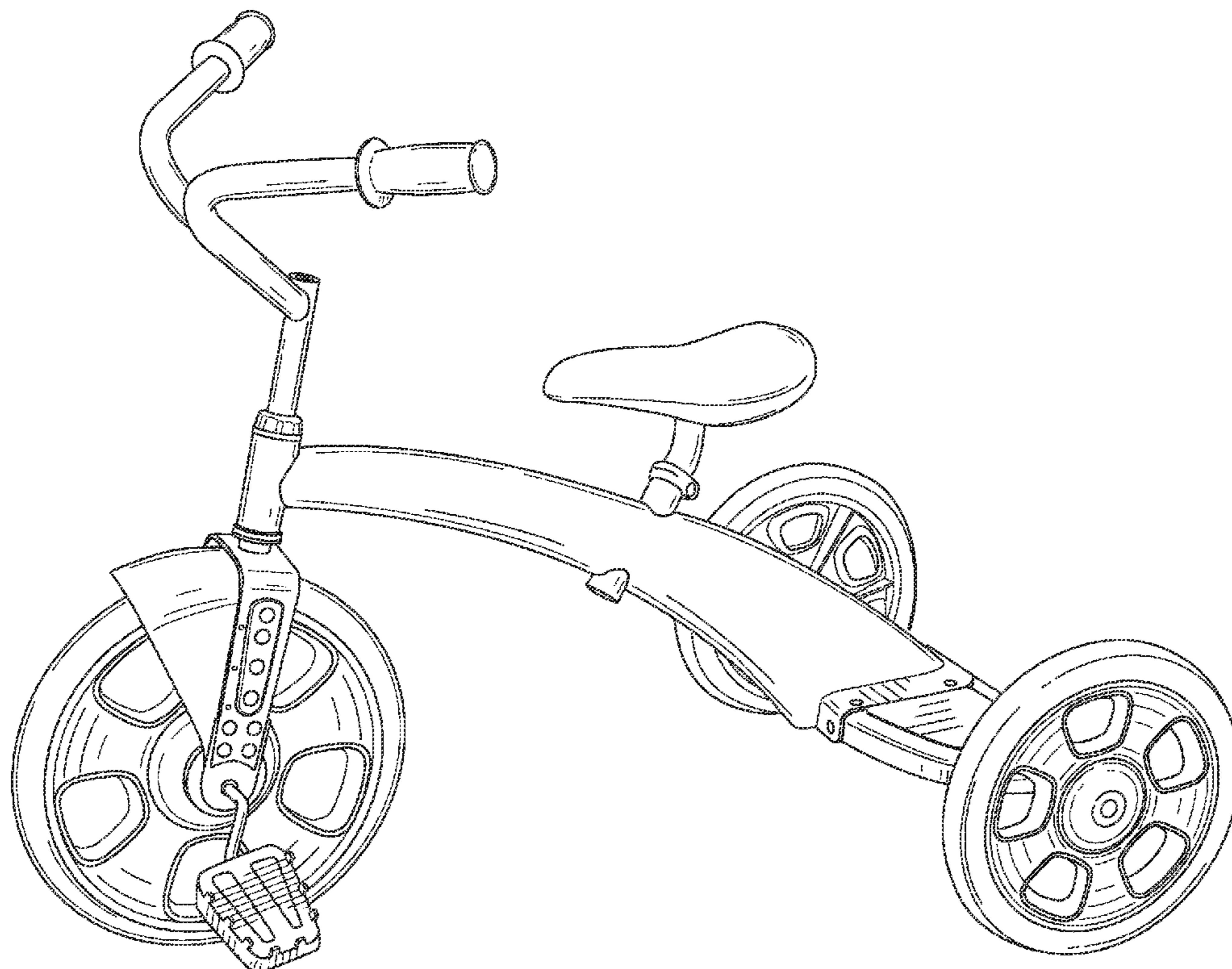
FIG. 5 is a left side view thereof; and,

FIG. 6 is a top view thereof.

FIG. 7 is a bottom view thereof, with the broken lines shown to indicate that the bottom of the step plate forms no part of the claimed design.

The pedals are shown in alternate positions in FIGS. 2-7.

1 Claim, 7 Drawing Sheets



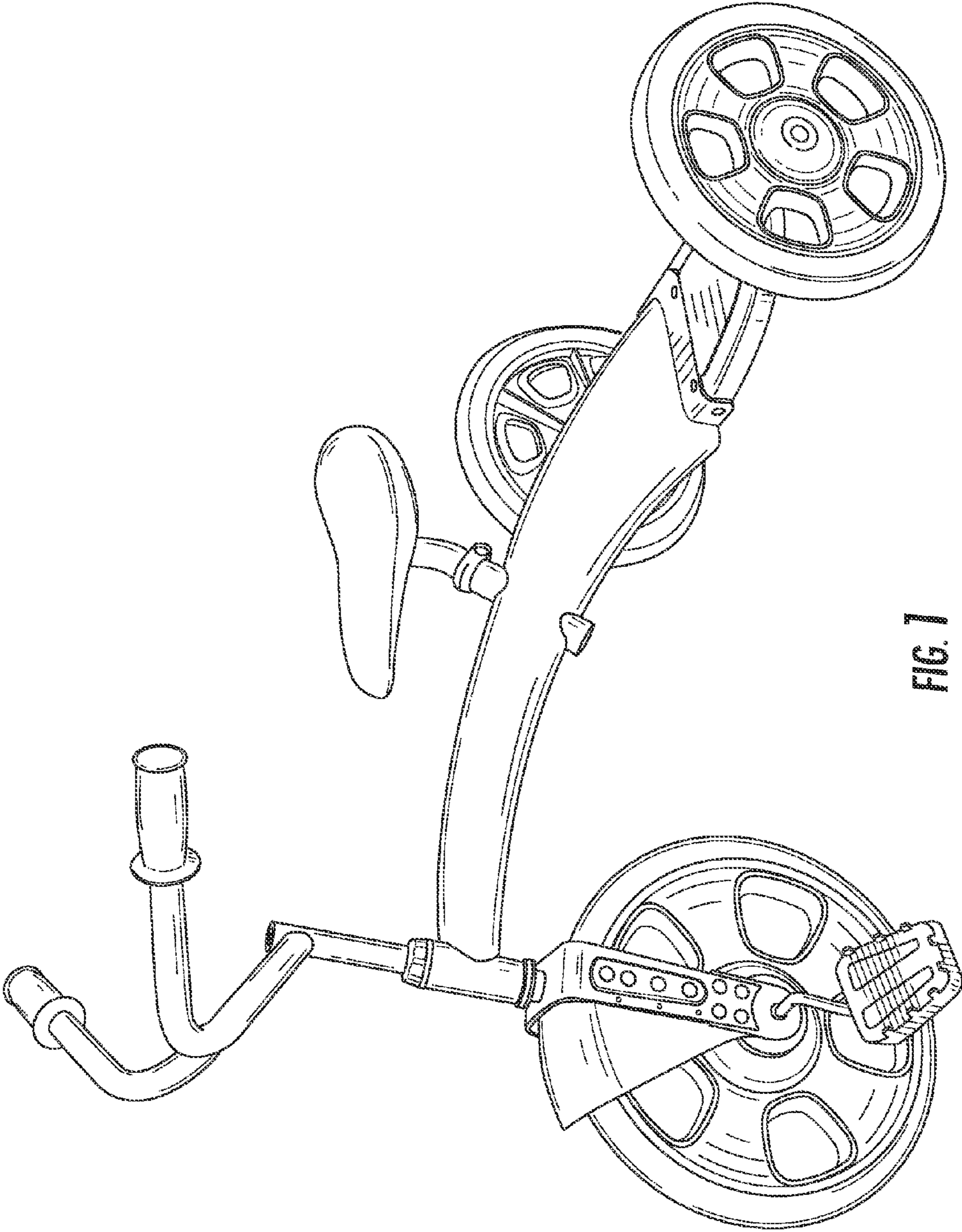


FIG. 1

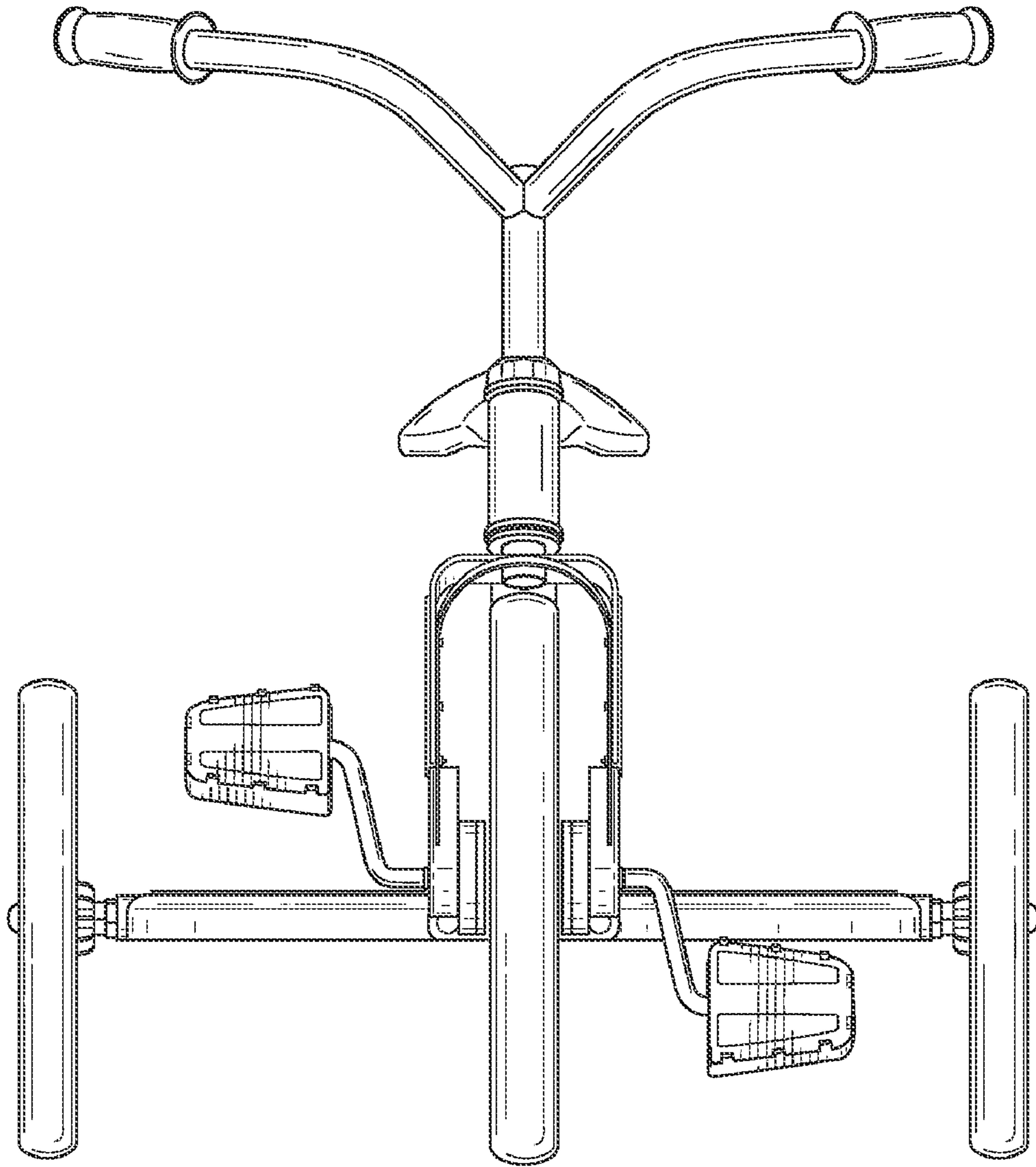


FIG. 2

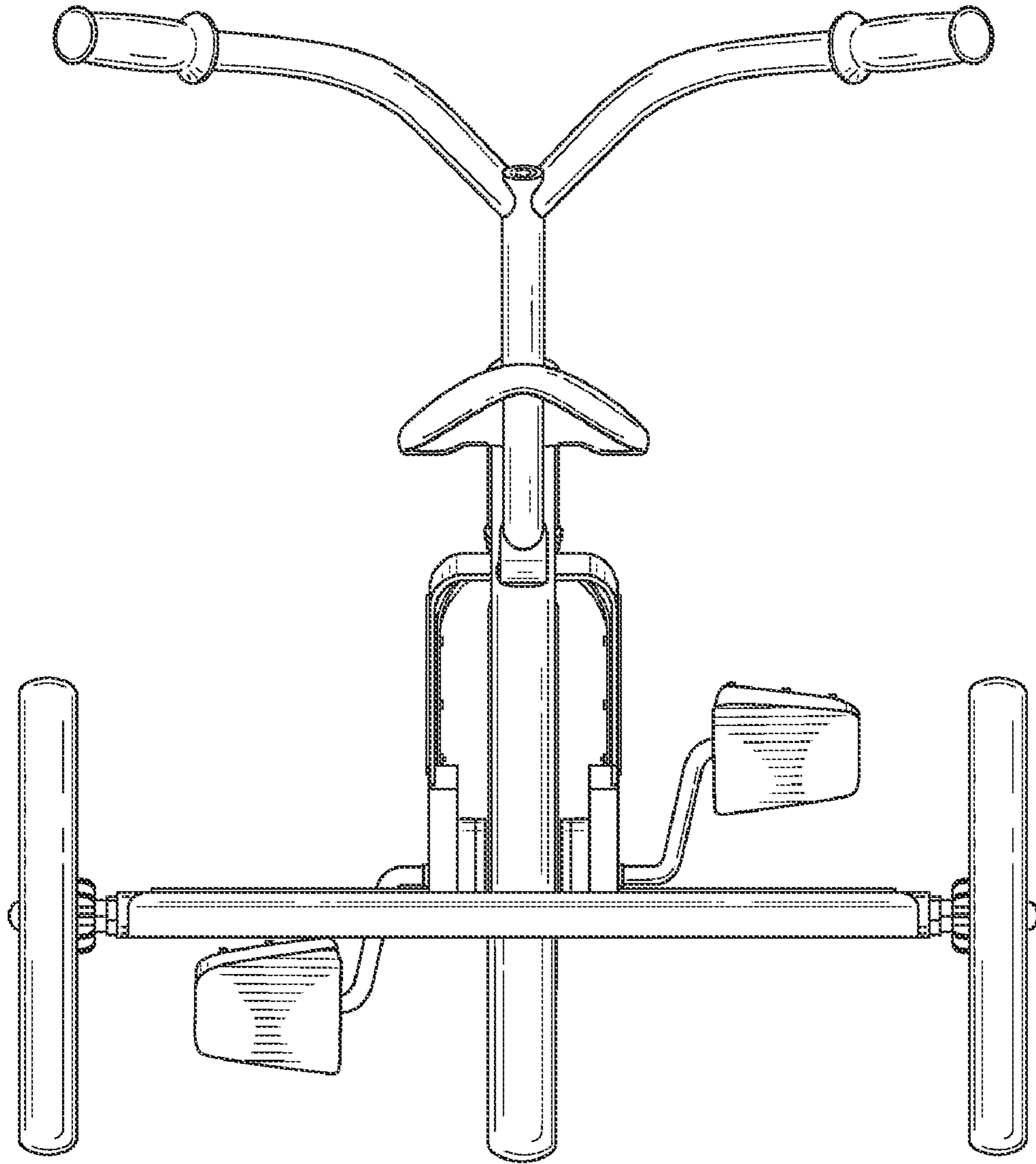


FIG. 3

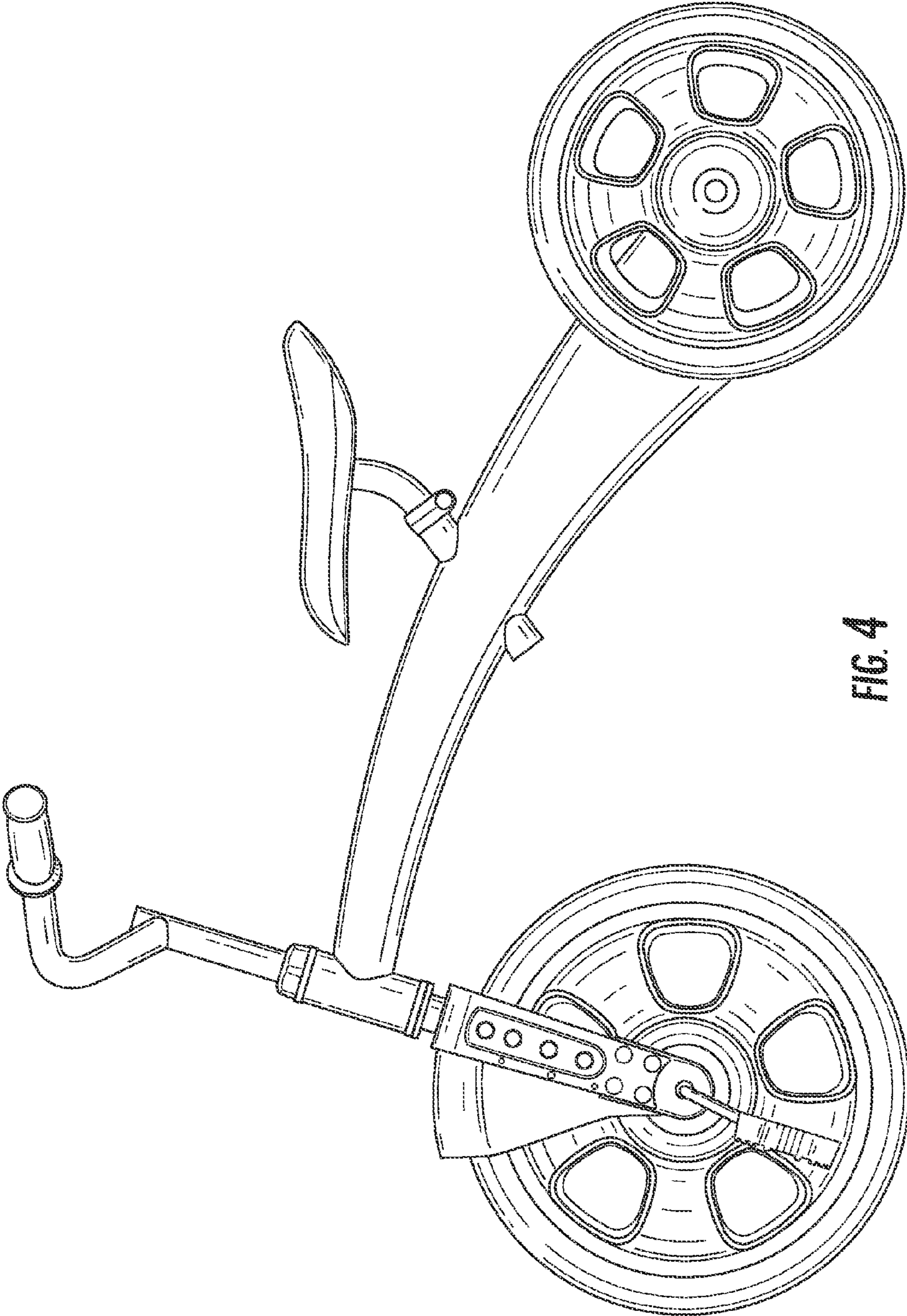


FIG. 4

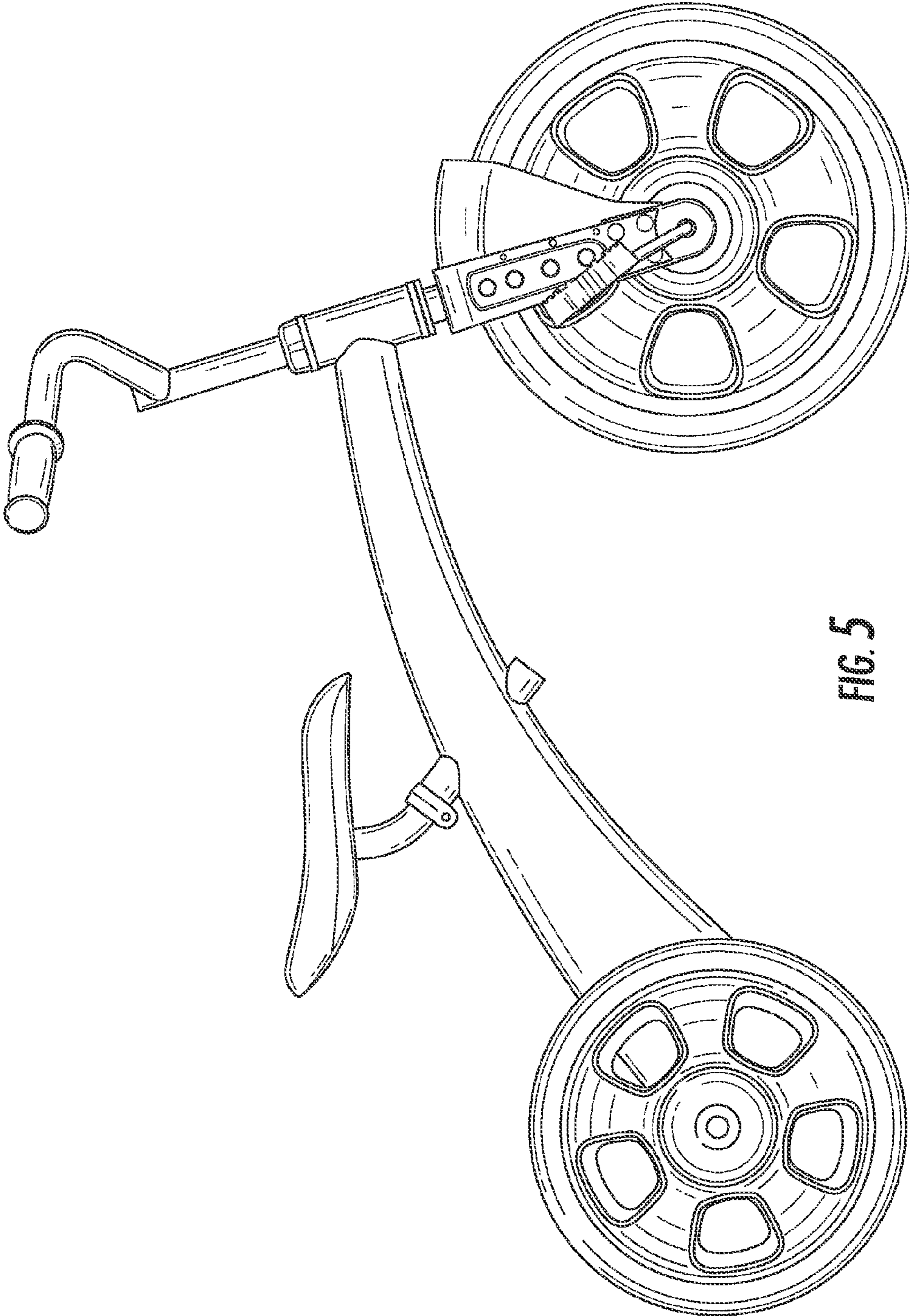


FIG. 5

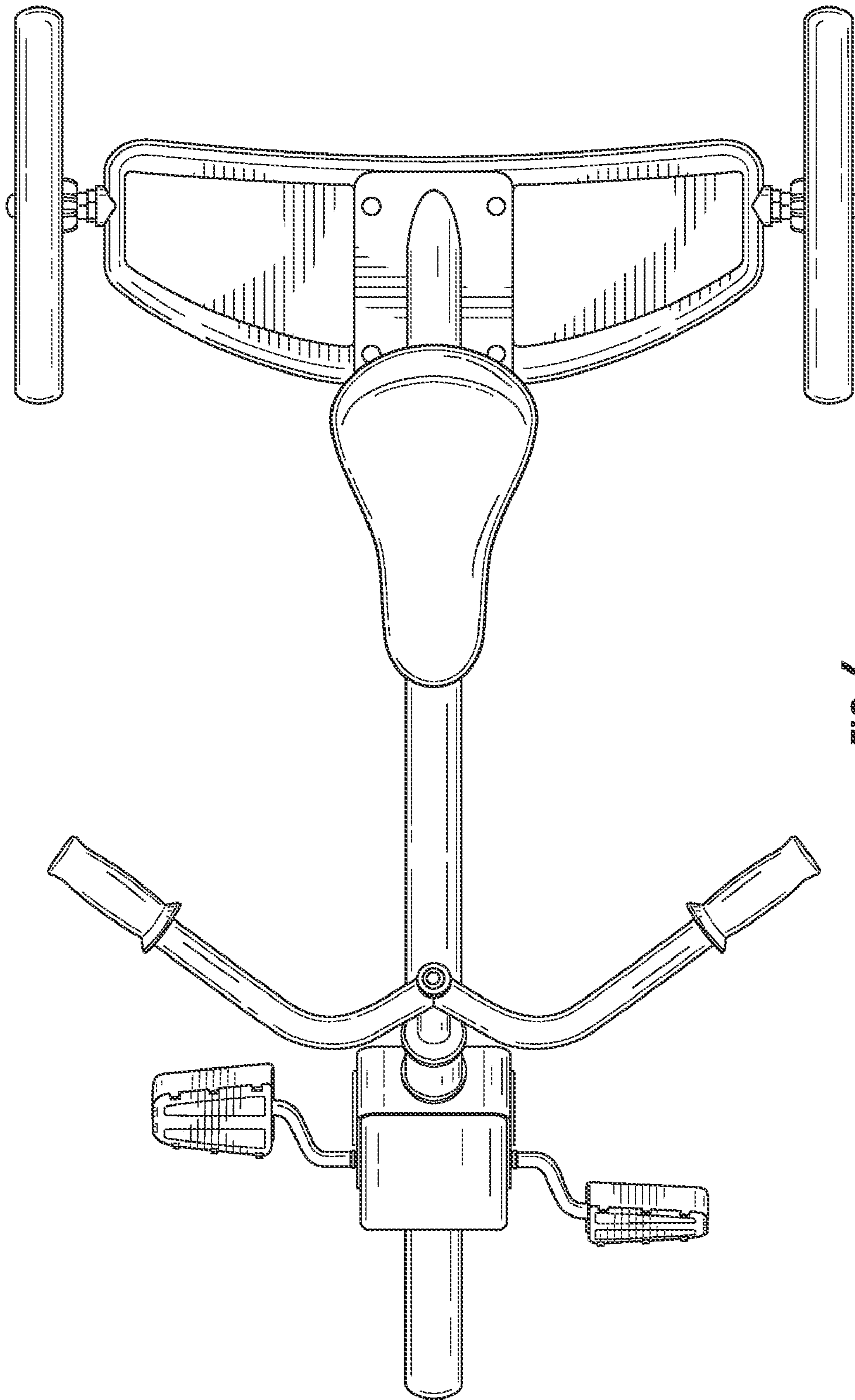


FIG. 6

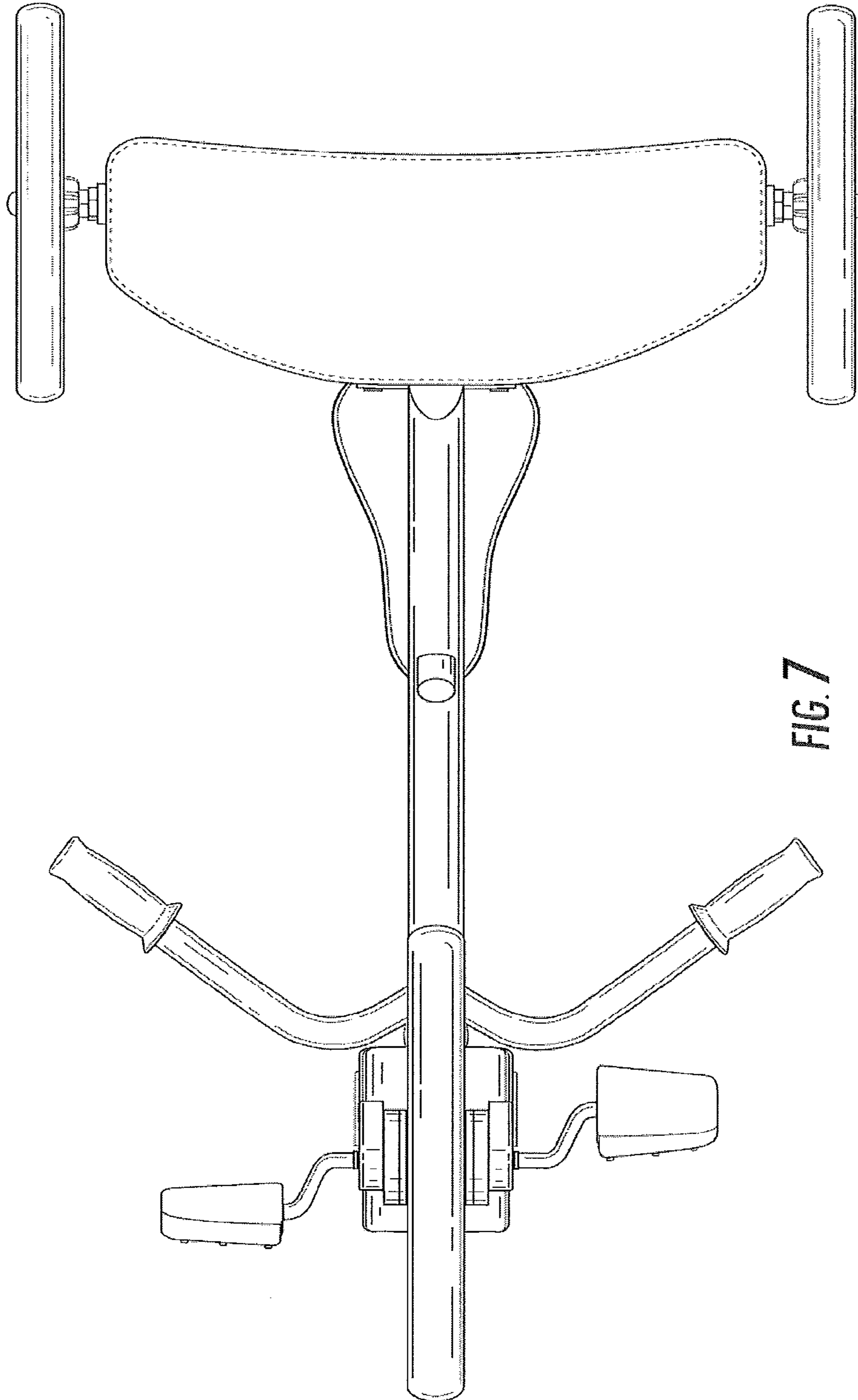


FIG. 7