



US00D622634S

(12) **United States Design Patent**  
**Yamamoto et al.**

(10) **Patent No.:** **US D622,634 S**

(45) **Date of Patent:** **\*\* Aug. 31, 2010**

(54) **AUTOMOBILE, TOY REPLICA AND/OR  
OTHER REPLICAS**

(75) Inventors: **Kenichi Yamamoto**, Wako (JP); **Satoshi  
Kazama**, Wako (JP); **Nobuyuki  
Takahashi**, Wako (JP)

(73) Assignee: **Honda Motor Co., Ltd.**, Tokyo (JP)

(\*\*) Term: **14 Years**

(21) Appl. No.: **29/352,558**

(22) Filed: **Dec. 22, 2009**

(30) **Foreign Application Priority Data**

Jun. 22, 2009 (JP) ..... 2009-014071

(51) **LOC (9) Cl.** ..... **12-08**

(52) **U.S. Cl.** ..... **D12/91**

(58) **Field of Classification Search** ..... D12/86,  
D12/90-92; D21/424, 433, 434; 296/181.1,  
296/181.5

See application file for complete search history.

(56) **References Cited**

**U.S. PATENT DOCUMENTS**

D470,796 S \* 2/2003 Nakajima et al. .... D12/91  
D476,600 S \* 7/2003 Tamiya et al. .... D12/91  
D492,915 S \* 7/2004 Hara et al. .... D12/91  
D504,087 S \* 4/2005 Hakamata et al. .... D12/91

D525,562 S \* 7/2006 Yagi et al. .... D12/91  
D554,562 S \* 11/2007 Adams et al. .... D12/91  
D567,713 S \* 4/2008 Ohishi et al. .... D12/91  
D568,210 S \* 5/2008 Ohishi et al. .... D12/91

\* cited by examiner

*Primary Examiner*—Melody N Brown

(74) *Attorney, Agent, or Firm*—Birch, Stewart, Kolasch &  
Birch, LLP

(57) **CLAIM**

The ornamental design for an automobile, toy replica and/or  
other replicas, as shown and described.

**DESCRIPTION**

FIG. 1 is a front elevational view of an automobile, toy replica  
and/or other replicas showing our new design;

FIG. 2 is a rear elevational view thereof;

FIG. 3 is a top plan view thereof;

FIG. 4 is a right side elevational view thereof, the left side  
being a mirror image;

FIG. 5 is a front perspective view thereof; and,

FIG. 6 is a rear perspective view thereof.

The bottom is substantially flat and unornamental.

The portions shown in broken lines form no part of the  
claimed design.

**1 Claim, 3 Drawing Sheets**

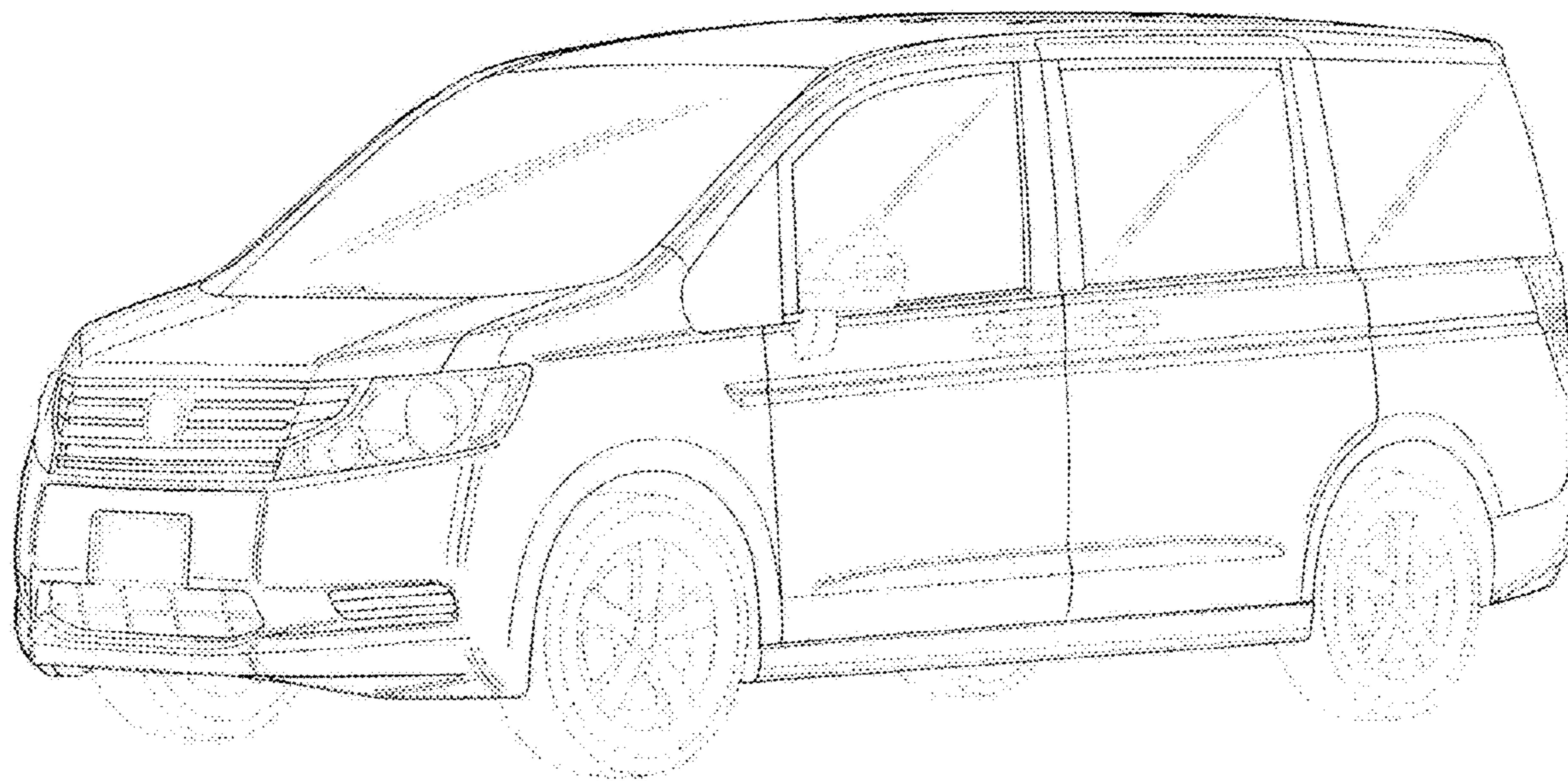


FIG.1

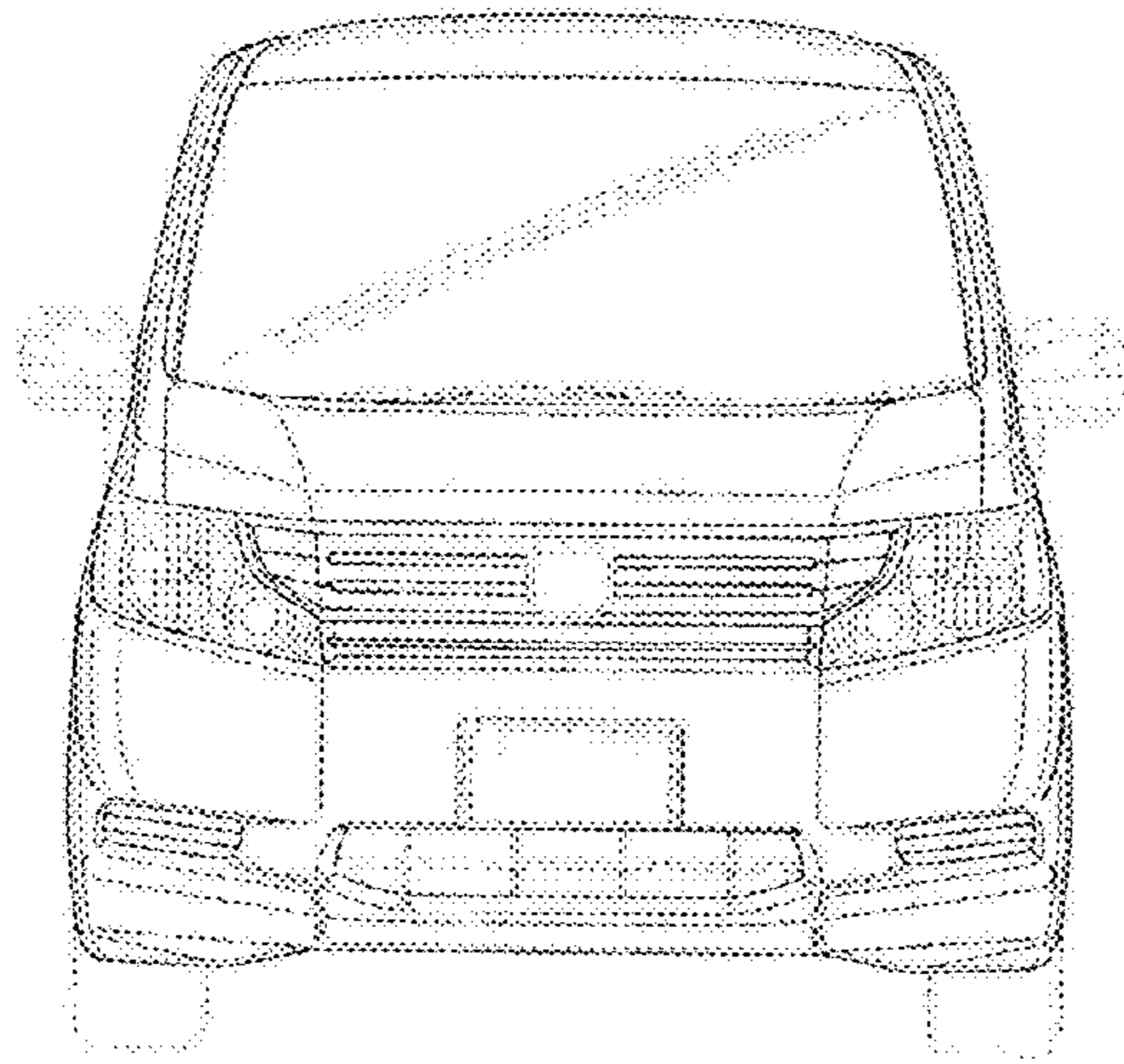


FIG.2

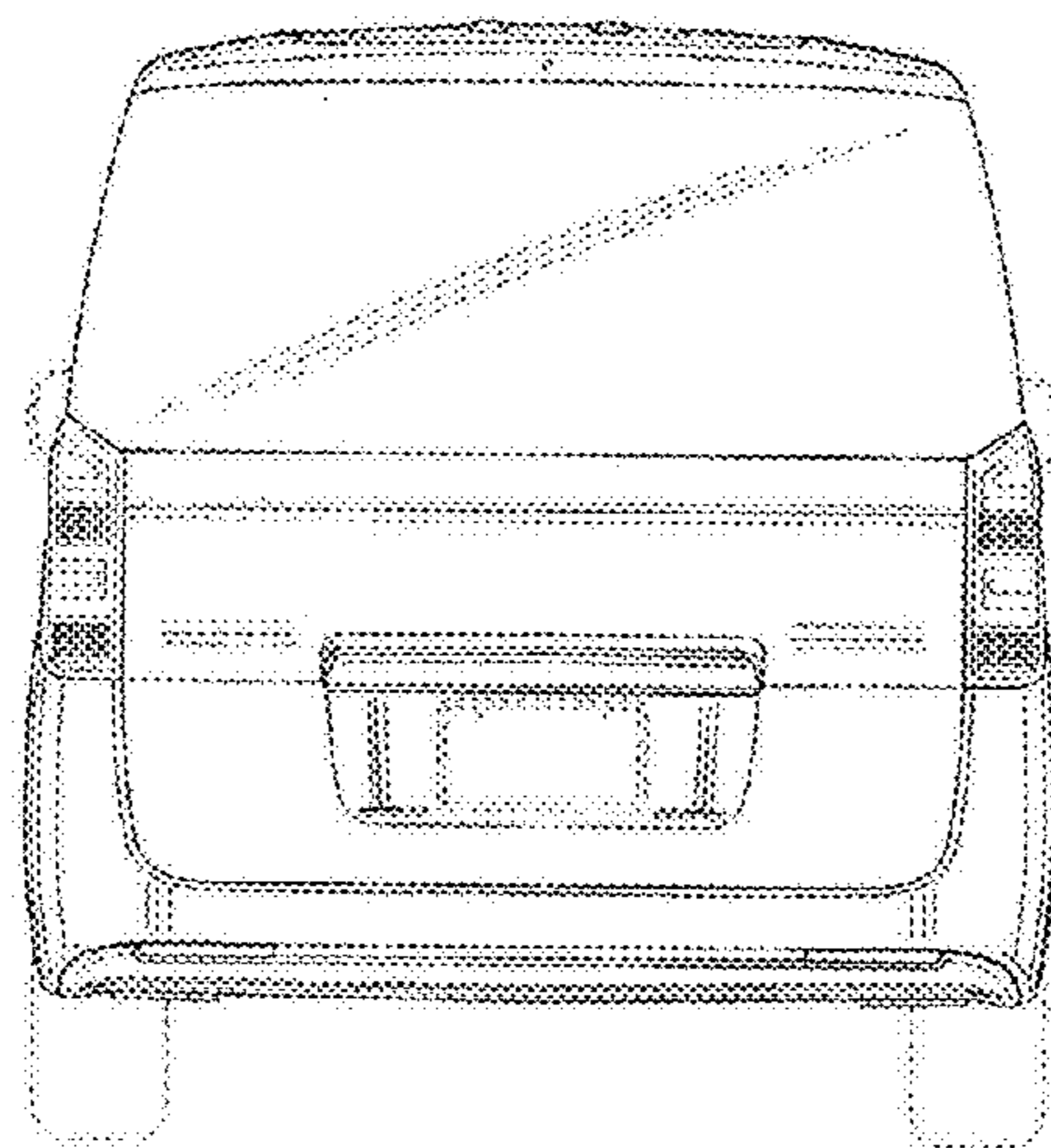


FIG.3

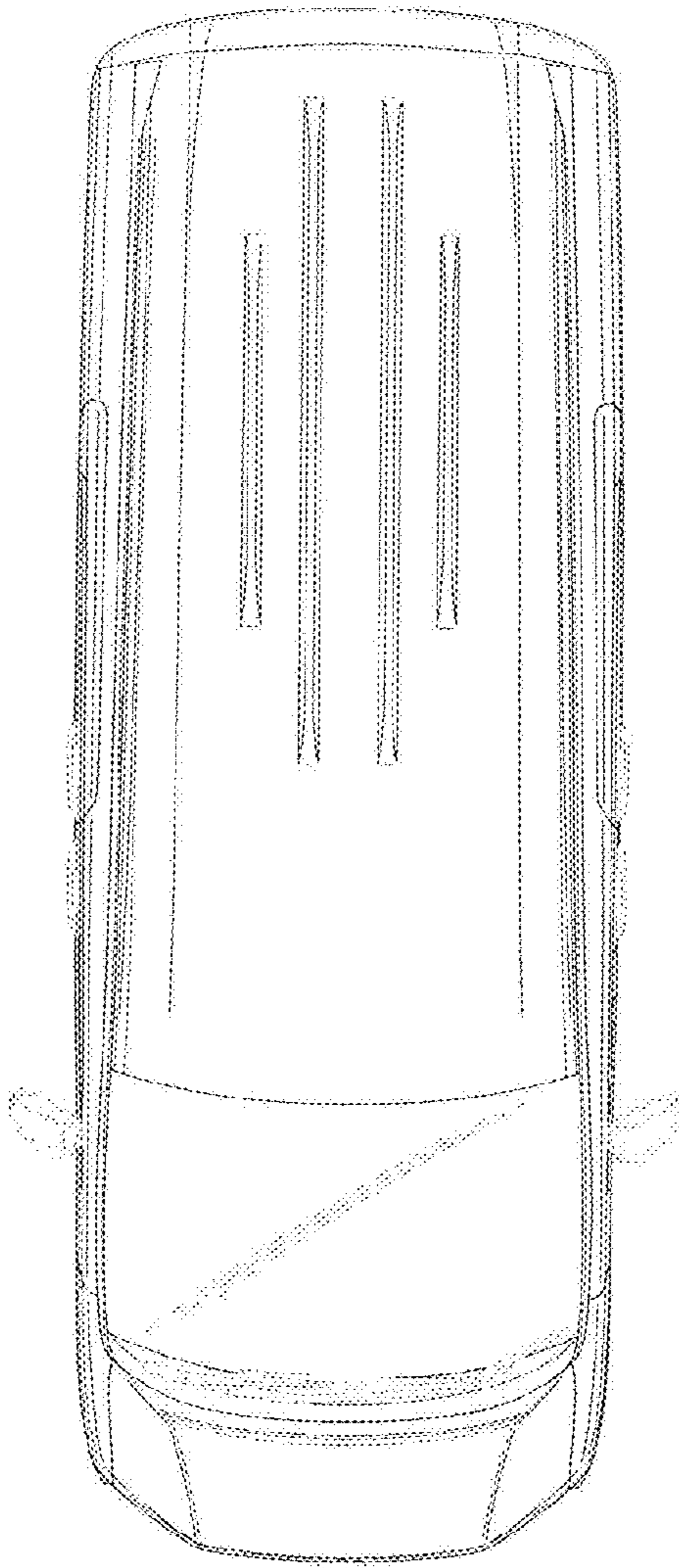


FIG.4

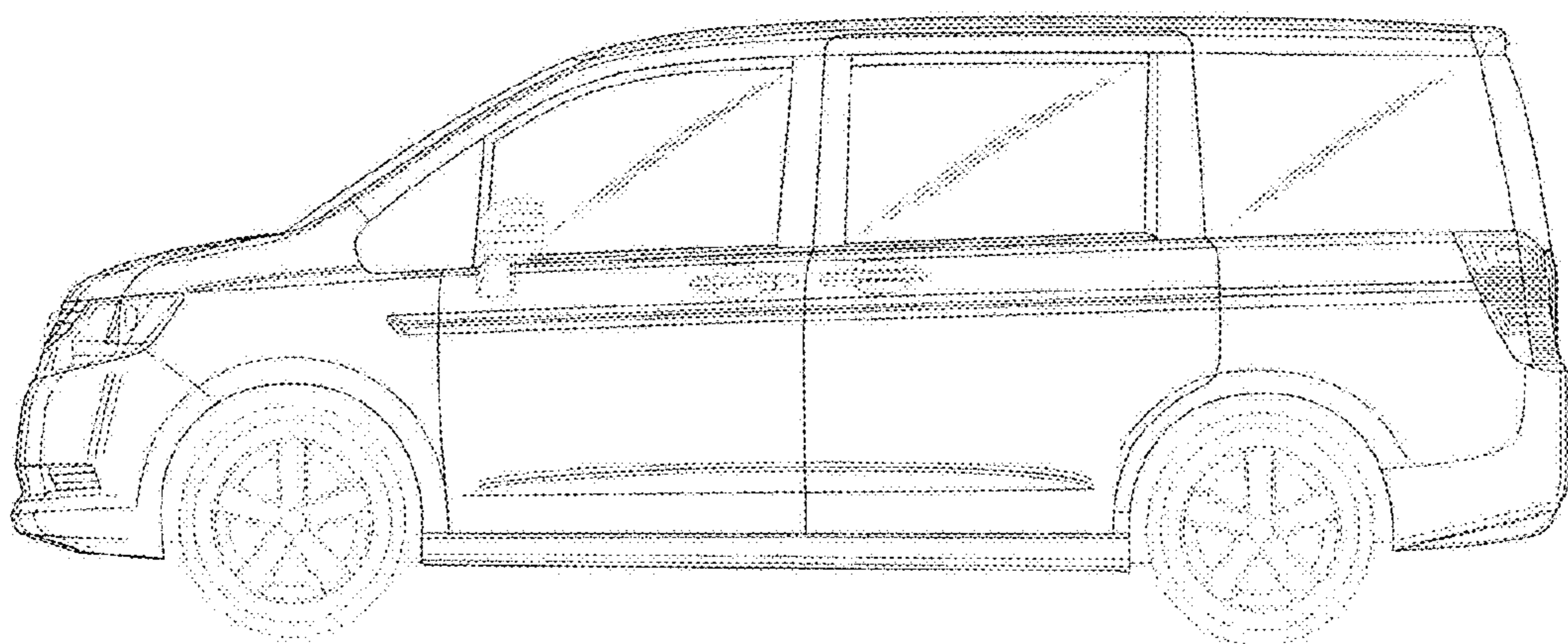


FIG.5

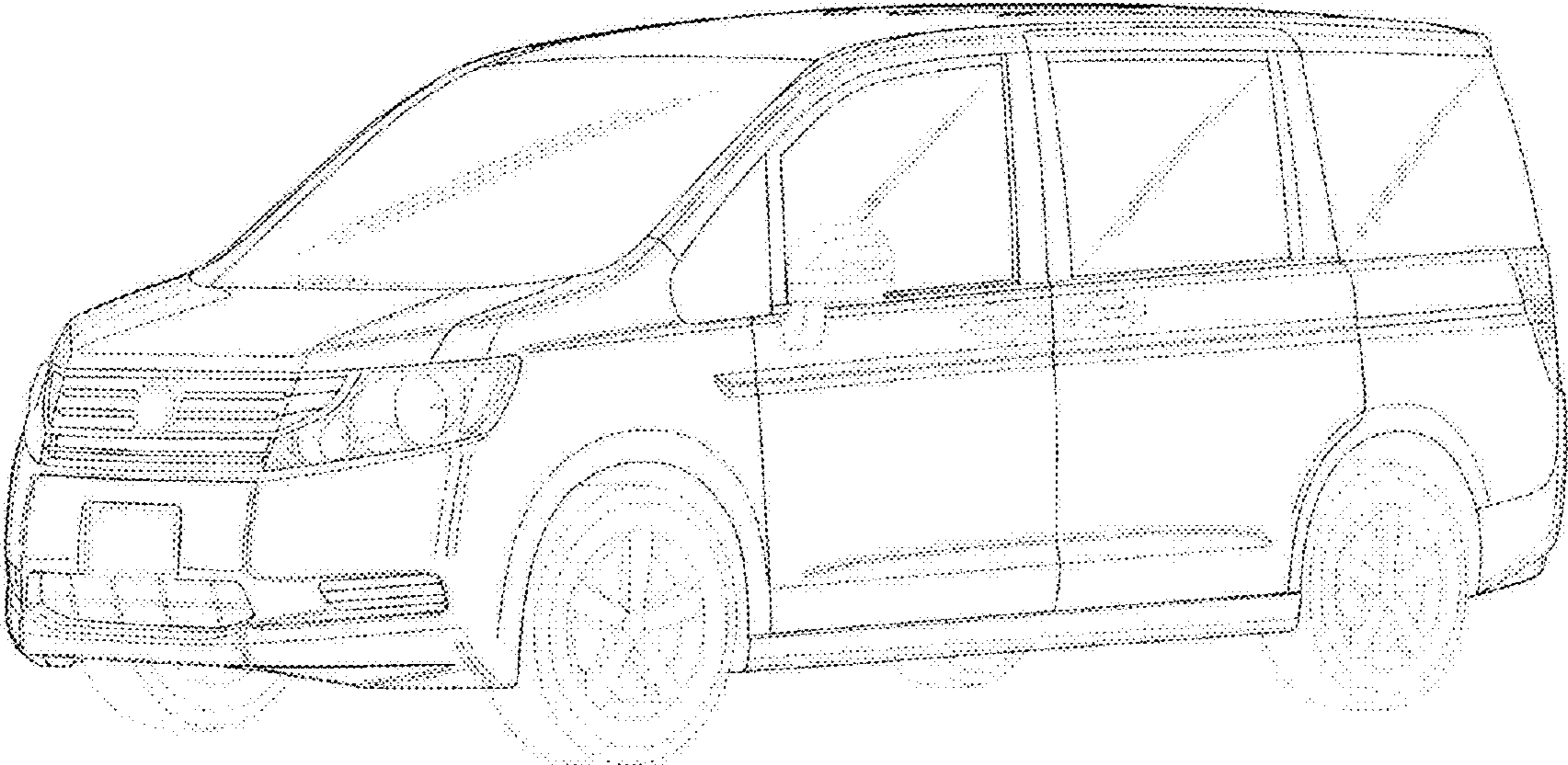


FIG.6

