

US00D622631S

(12) **United States Design Patent**
Lai et al.

(10) **Patent No.:** **US D622,631 S**
(45) **Date of Patent:** **** Aug. 31, 2010**

(54) **ALL TERRAIN VEHICLE**

(75) Inventors: **Guogui Lai**, Hangzhou (CN); **Yongzhou Zhao**, Hangzhou (CN); **Zhangping Yuan**, Hangzhou (CN); **Jinpin Zheng**, Hangzhou (CN); **Jun Zhao**, Hangzhou (CN)

(73) Assignee: **Zhejiang CFMOTO Power Co., Ltd.**, Hangzhou, Zhejiang Province (CN)

(**) Term: **14 Years**

(21) Appl. No.: **29/346,207**

(22) Filed: **Oct. 28, 2009**

(30) **Foreign Application Priority Data**

Sep. 14, 2009 (CN) 2009 3 0244316

(51) **LOC (9) Cl.** **12-08**

(52) **U.S. Cl.** **D12/87**

(58) **Field of Classification Search** D12/86,
D12/87, 1; D21/424, 433; 296/181.1, 181.5
See application file for complete search history.

(56) **References Cited**

U.S. PATENT DOCUMENTS

D497,324 S * 10/2004 Chestnut et al. D12/87

D503,658 S * 4/2005 Lu D12/87
D535,215 S * 1/2007 Turner et al. D12/87
D549,133 S * 8/2007 LePage D12/87
D555,036 S * 11/2007 Eck D12/87
D563,274 S * 3/2008 Ramos D12/87
D606,900 S * 12/2009 Flores D12/87

* cited by examiner

Primary Examiner—Melody N Brown

(74) *Attorney, Agent, or Firm*—Courtney Staniford & Gregory LLP

(57) **CLAIM**

The ornamental design for an all terrain vehicle, as shown and described.

DESCRIPTION

FIG. 1 is a perspective view of the all terrain vehicle of the present design;

FIG. 2 is a top view thereof;

FIG. 3 is a front view thereof;

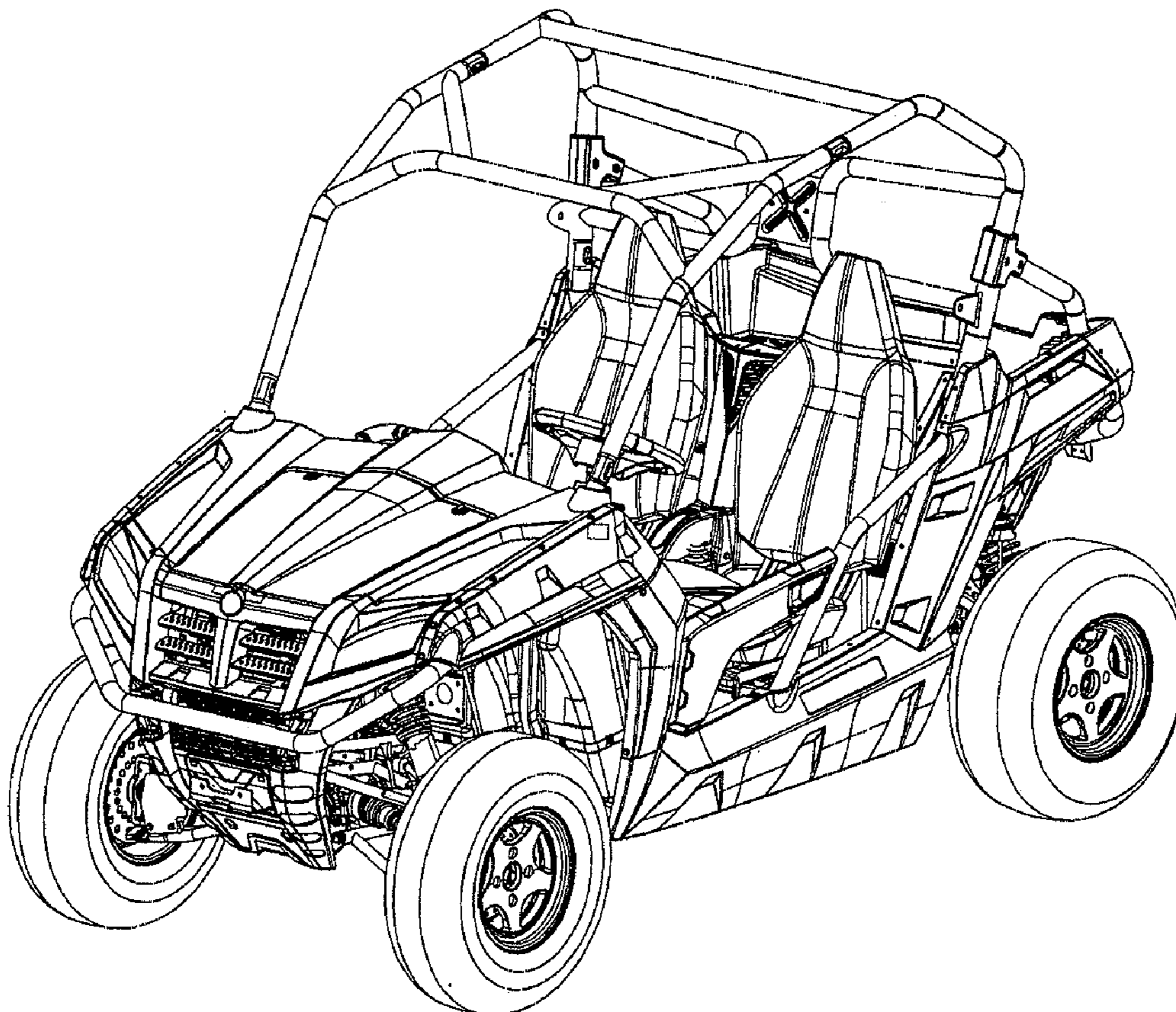
FIG. 4 is a rear view thereof;

FIG. 5 is a left side view thereof; and,

FIG. 6 is a right side view thereof.

The bottom view is omitted and not seen in use.

1 Claim, 3 Drawing Sheets



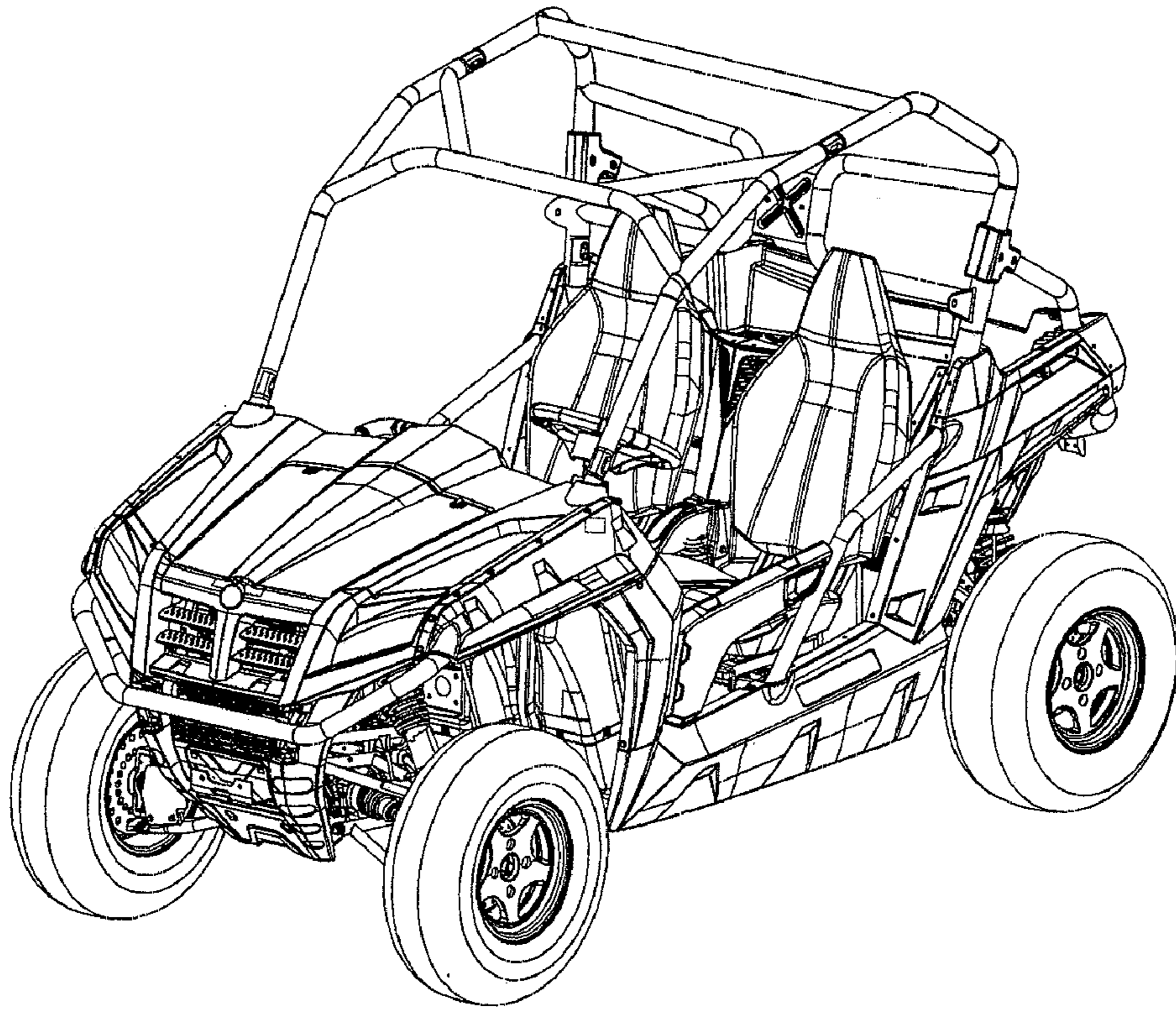


Fig.1

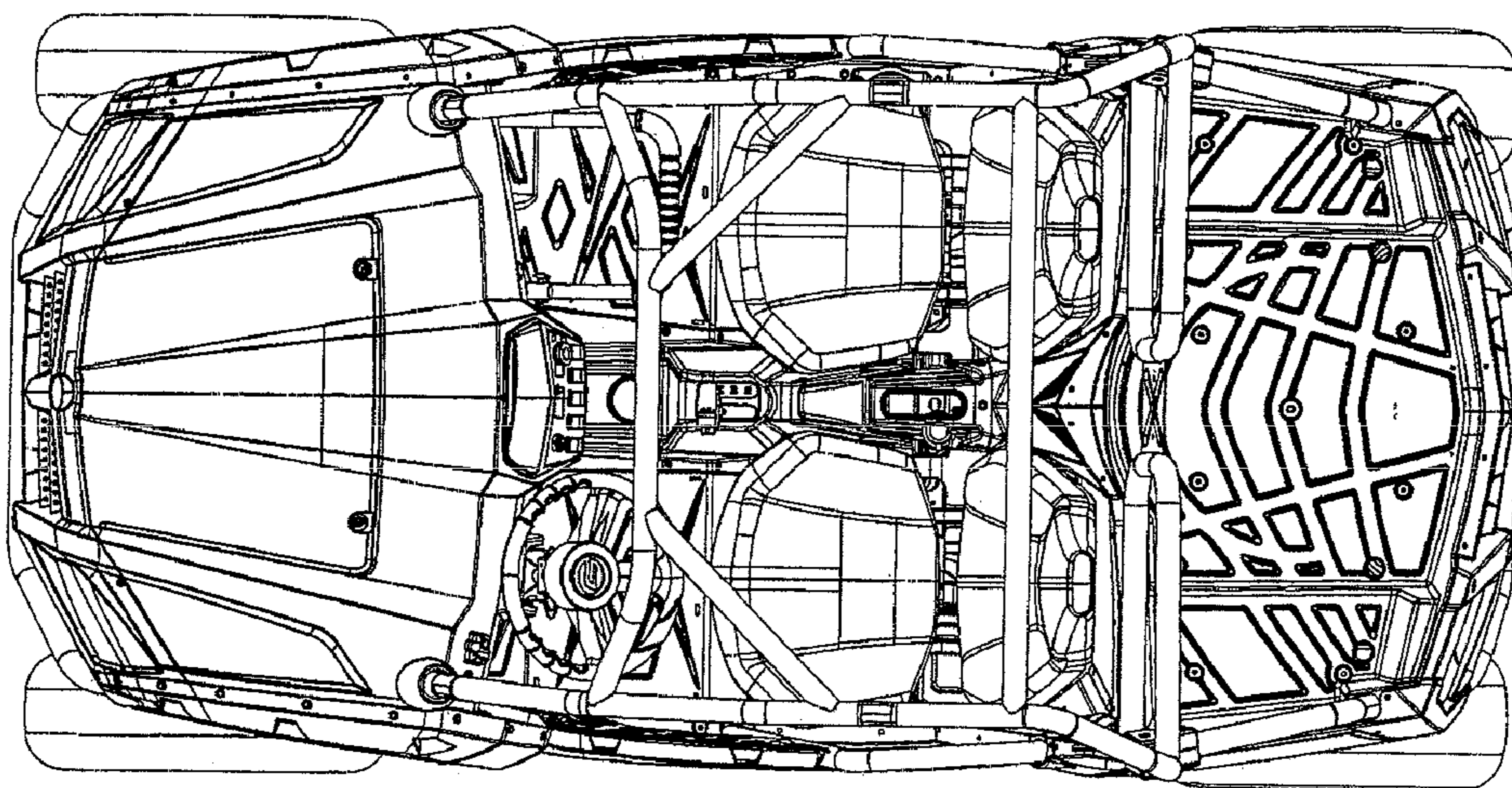


Fig.2

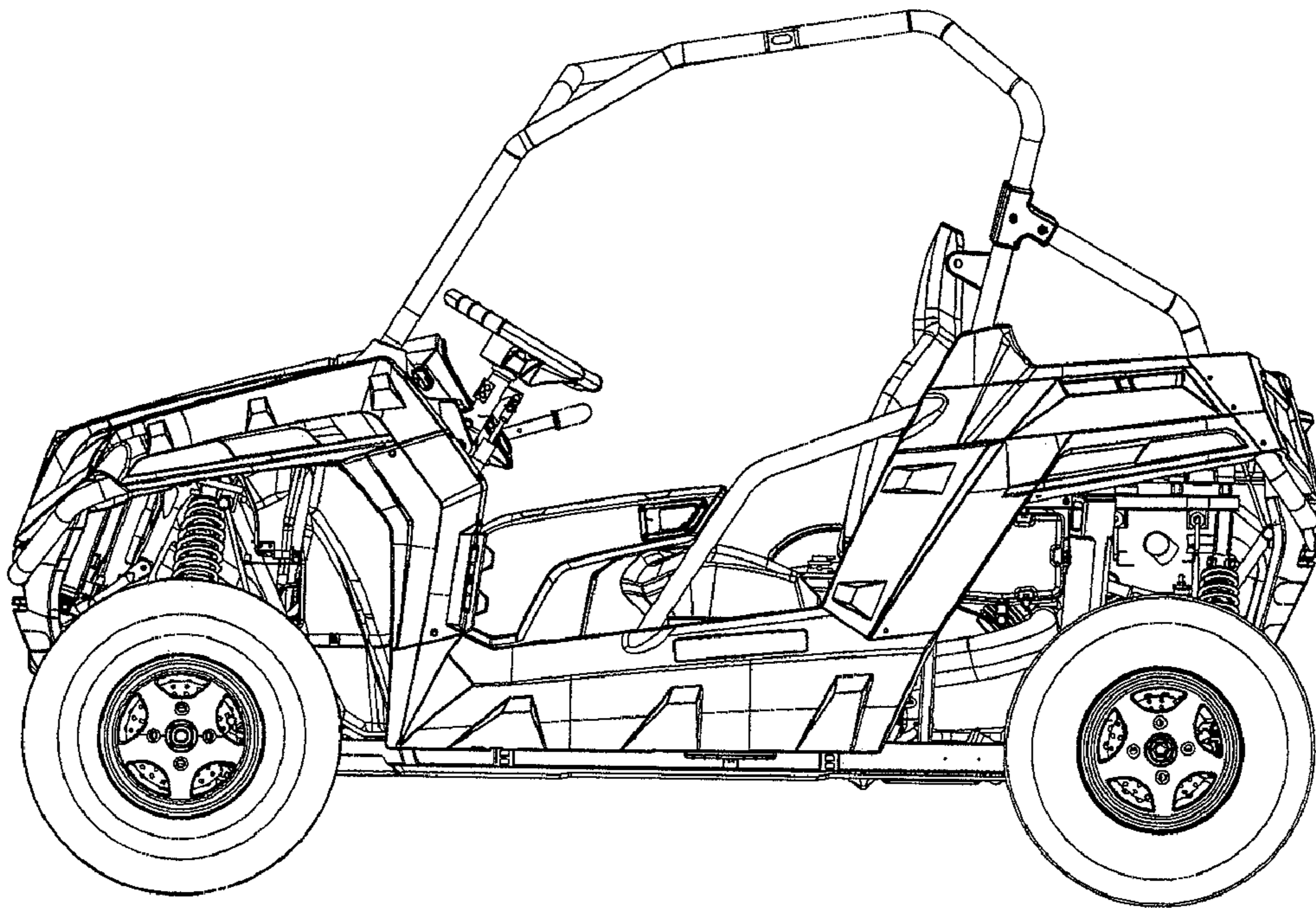


Fig.3

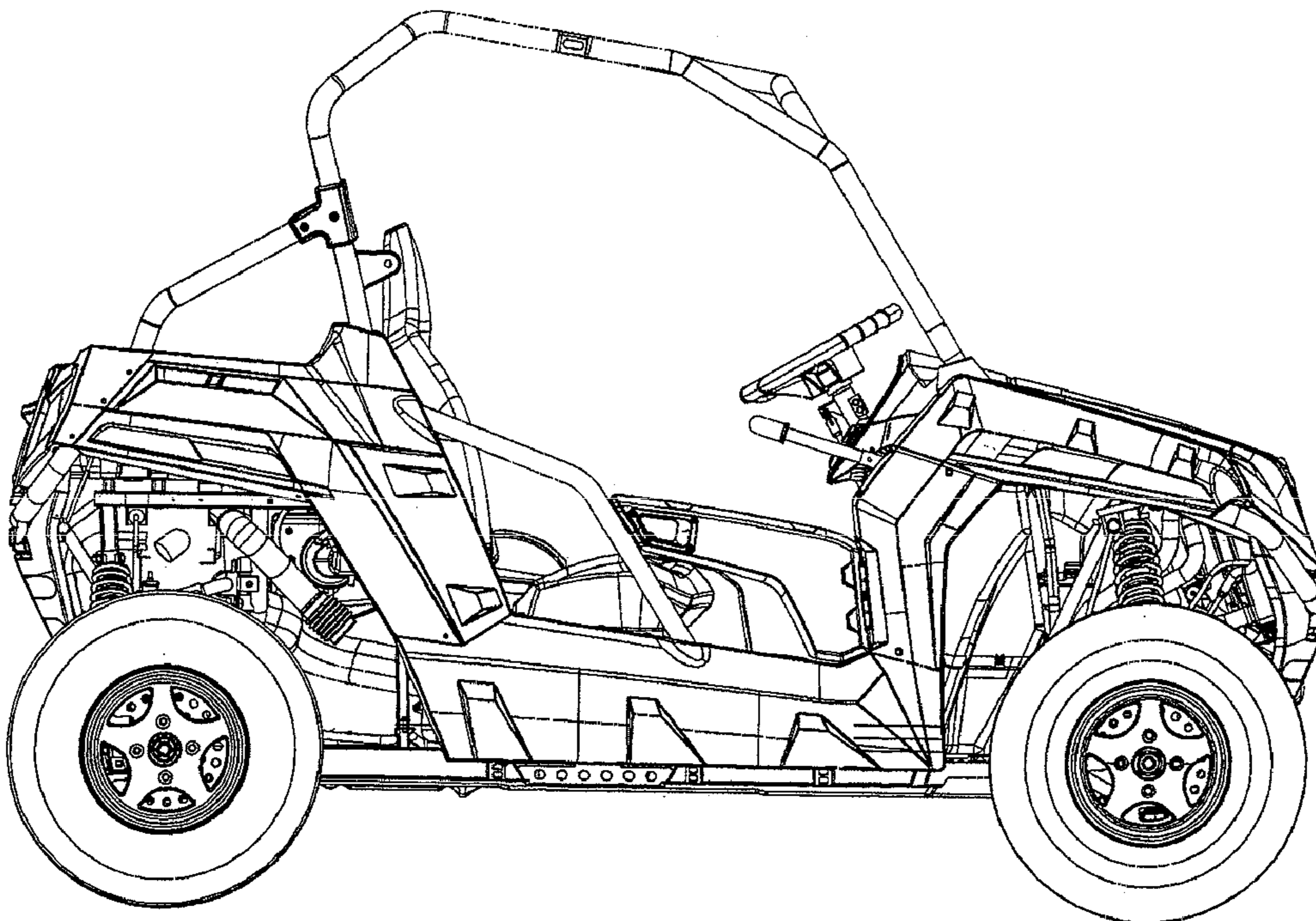


Fig.4

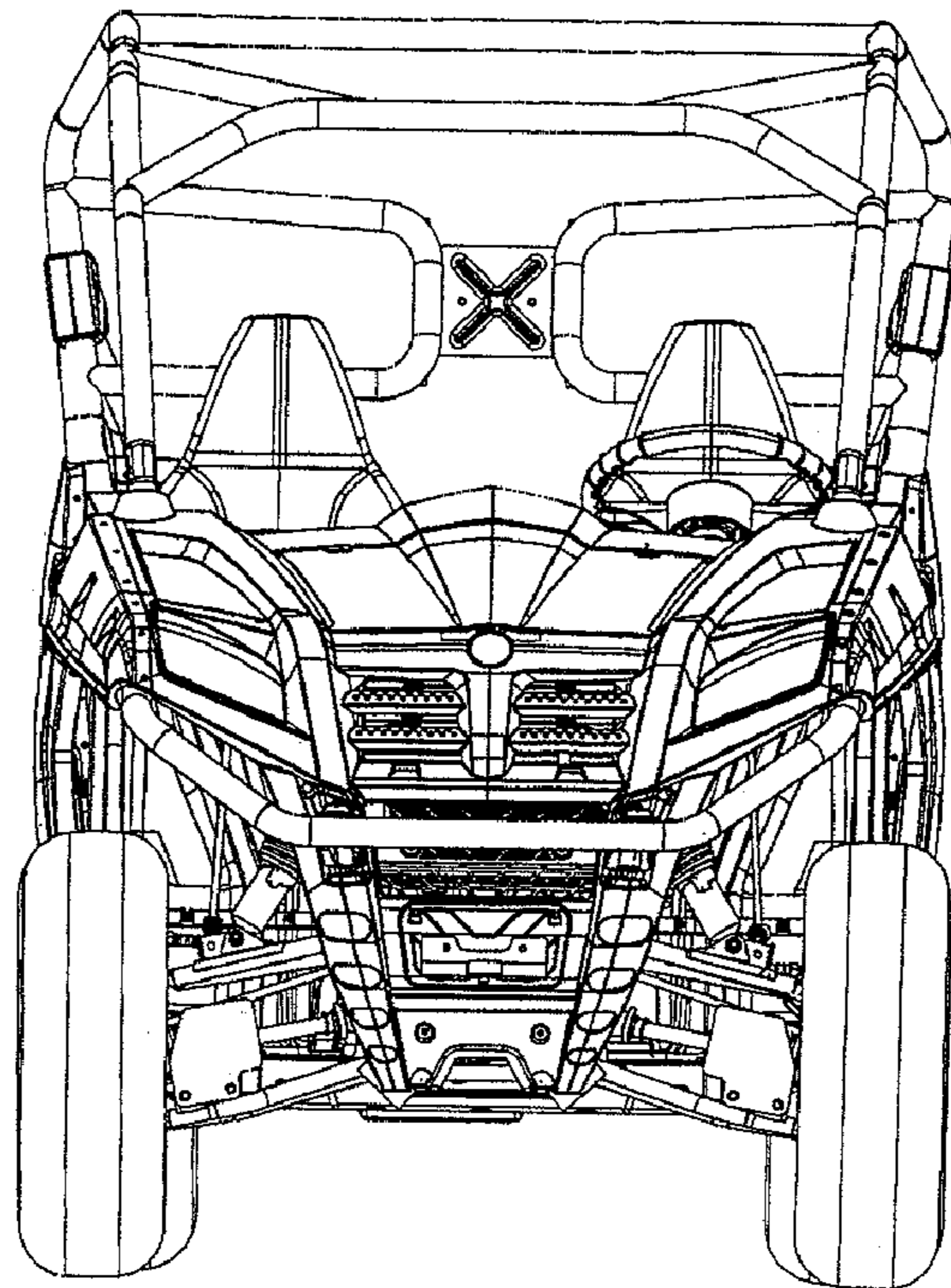


Fig.5

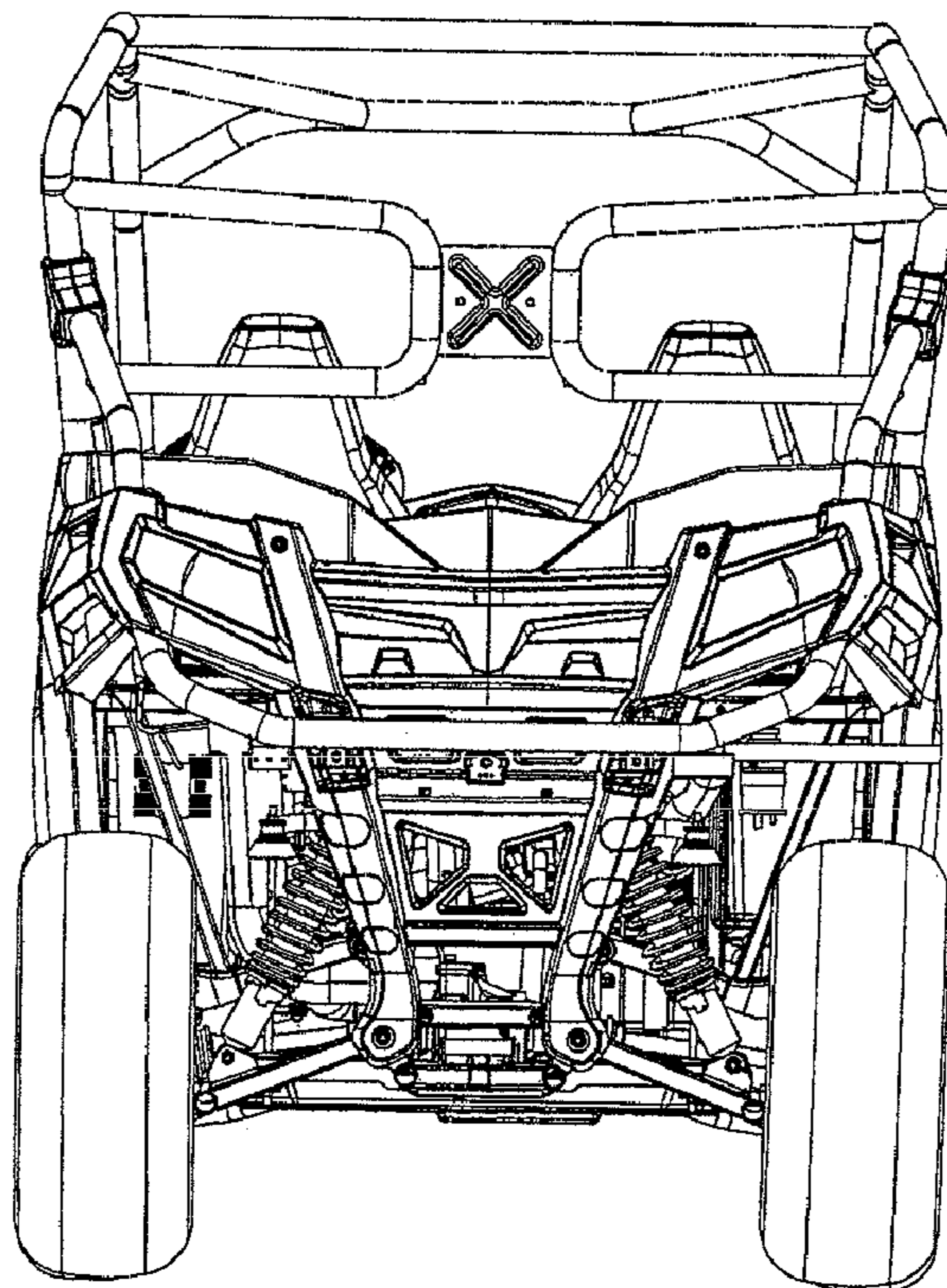


Fig.6