



US00D622627S

(12) **United States Design Patent**
Daniel et al.

(10) **Patent No.:** **US D622,627 S**
(45) **Date of Patent:** **** Aug. 31, 2010**

(54) **RING**

(76) Inventors: **Garabet A. Daniel**, 12125 Kagel Canyon Rd., Sylmar, CA (US) 91342; **Haroutioun Sagherian**, 528 Baudoin Street, Quebec, Laval (CA) H7X 3N5; **Lianna Kazaryan**, 205 E. Chestnut St., #1, Glendale, CA (US) 91205; **Jaques Sagherian**, 1401 Chemin Chambly, Lonquevil, Quebec (CA) J4J 3X6

(**) Term: **14 Years**

(21) Appl. No.: **29/354,961**

(22) Filed: **Feb. 1, 2010**

(51) **LOC (9) Cl.** **11-01**
(52) **U.S. Cl.** **D11/26; D11/34**
(58) **Field of Classification Search** **D11/26-39, D11/89-92; 63/15, 15.1, 15.2, 15.3, 15.4, 63/15.45, 15.5, 15.6, 15.65, 15.7, 26-28**
See application file for complete search history.

(56) **References Cited**

U.S. PATENT DOCUMENTS

D53,436 S *	6/1919	Clarke	D11/26
D99,982 S *	6/1936	Arpels	D11/26
D342,039 S *	12/1993	Ambar	D11/26
D363,252 S *	10/1995	Ambar et al.	D11/34
D371,315 S *	7/1996	Harrell	D11/30
D453,703 S *	2/2002	Edmond	D11/34
D493,741 S *	8/2004	Pachachi	D11/26

D509,456 S *	9/2005	Ricci et al.	D11/26
D552,749 S *	10/2007	Gromosaik et al.	D11/26
D552,750 S *	10/2007	Gromosaik et al.	D11/26
D563,257 S *	3/2008	Schumacher	D11/26
D608,236 S *	1/2010	Akdemir	D11/26

* cited by examiner

Primary Examiner—Cathron C Brooks
Assistant Examiner—Melanie Levy
(74) *Attorney, Agent, or Firm*—Aaron C. Fong; Weiss & Moy, P.C.

(57) **CLAIM**

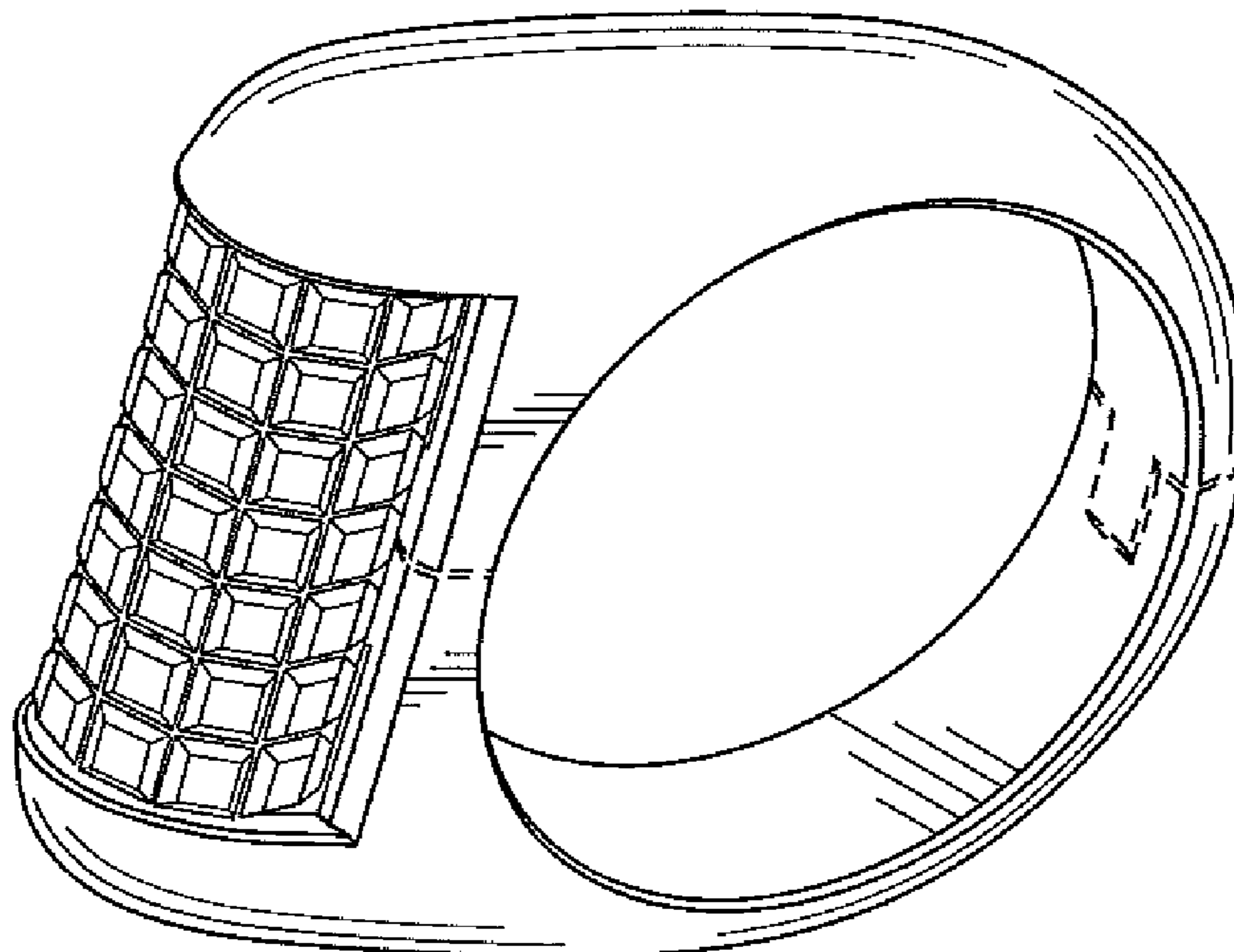
The ornamental design for a ring, as shown and described.

DESCRIPTION

FIG. 1 is an elevated perspective view of a ring in accordance with the present application;
FIG. 2 is a front view thereof;
FIG. 3 is a back view thereof;
FIG. 4 is a side view thereof;
FIG. 5 is a side view thereof;
FIG. 6 is a top view thereof; and,
FIG. 7 is a bottom view thereof.

Any broken lines, shown through in the drawing figures, are included for the purpose of illustrating environmental structures only and form no part of the claimed design.

1 Claim, 3 Drawing Sheets



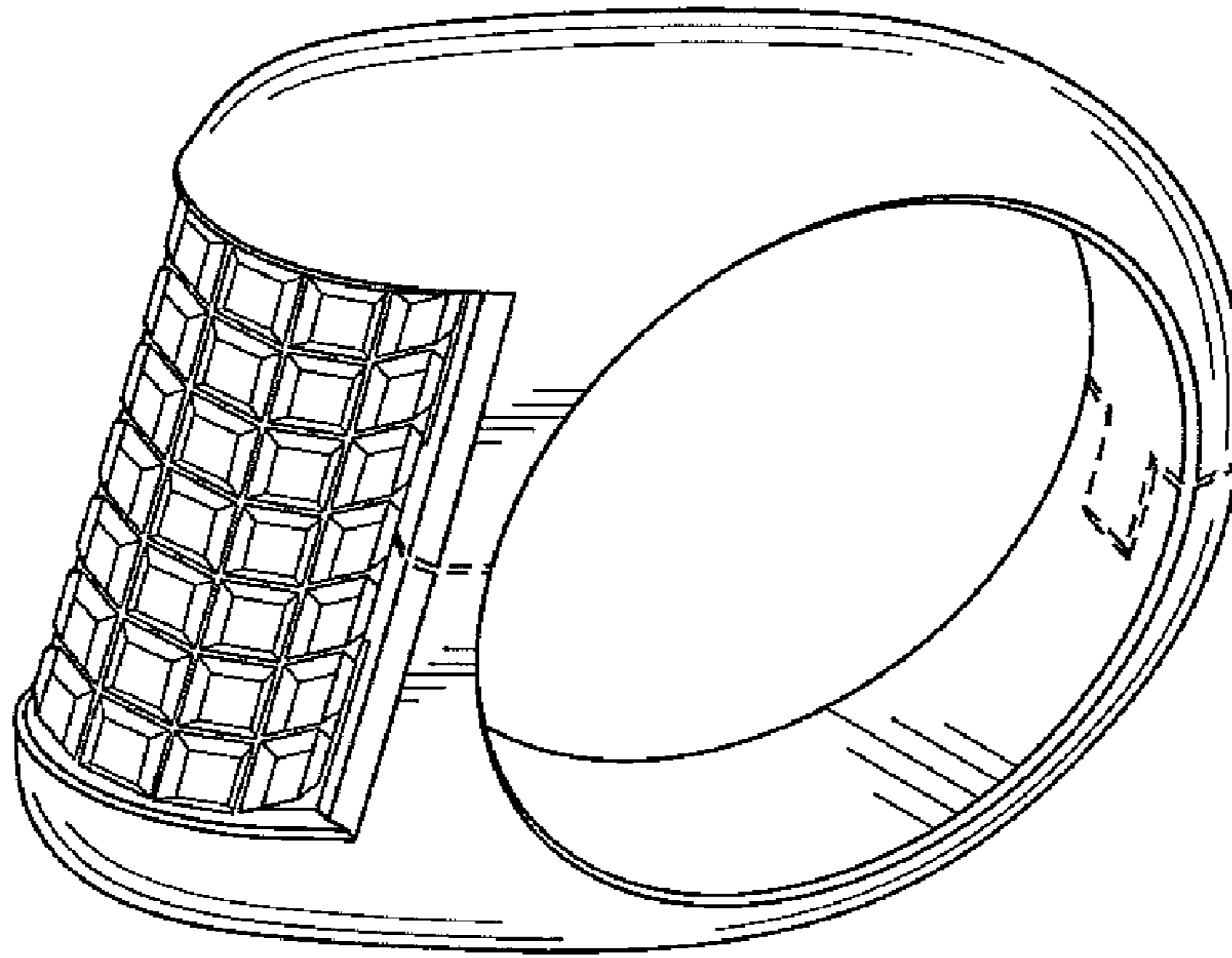


FIG. 1

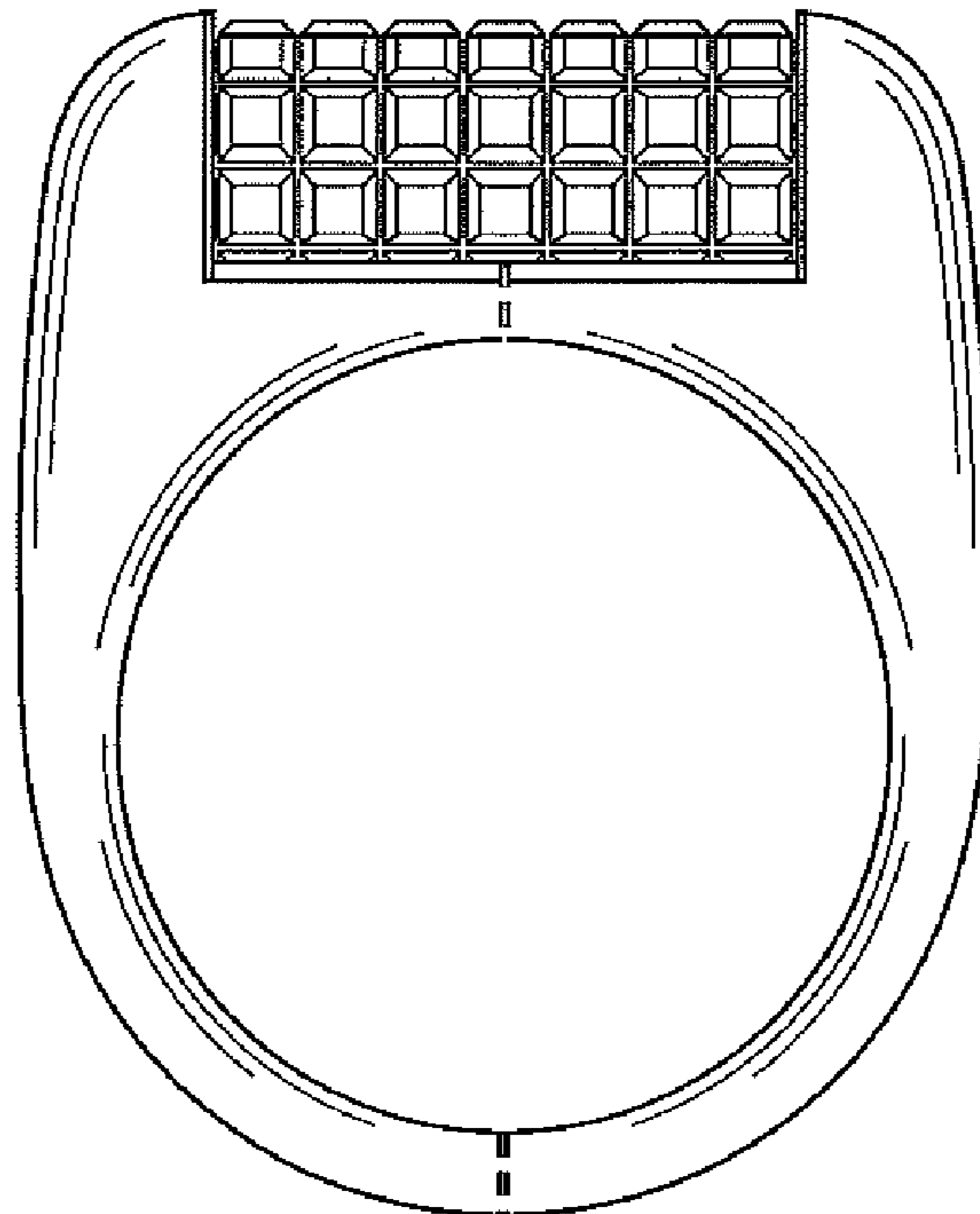


FIG. 2

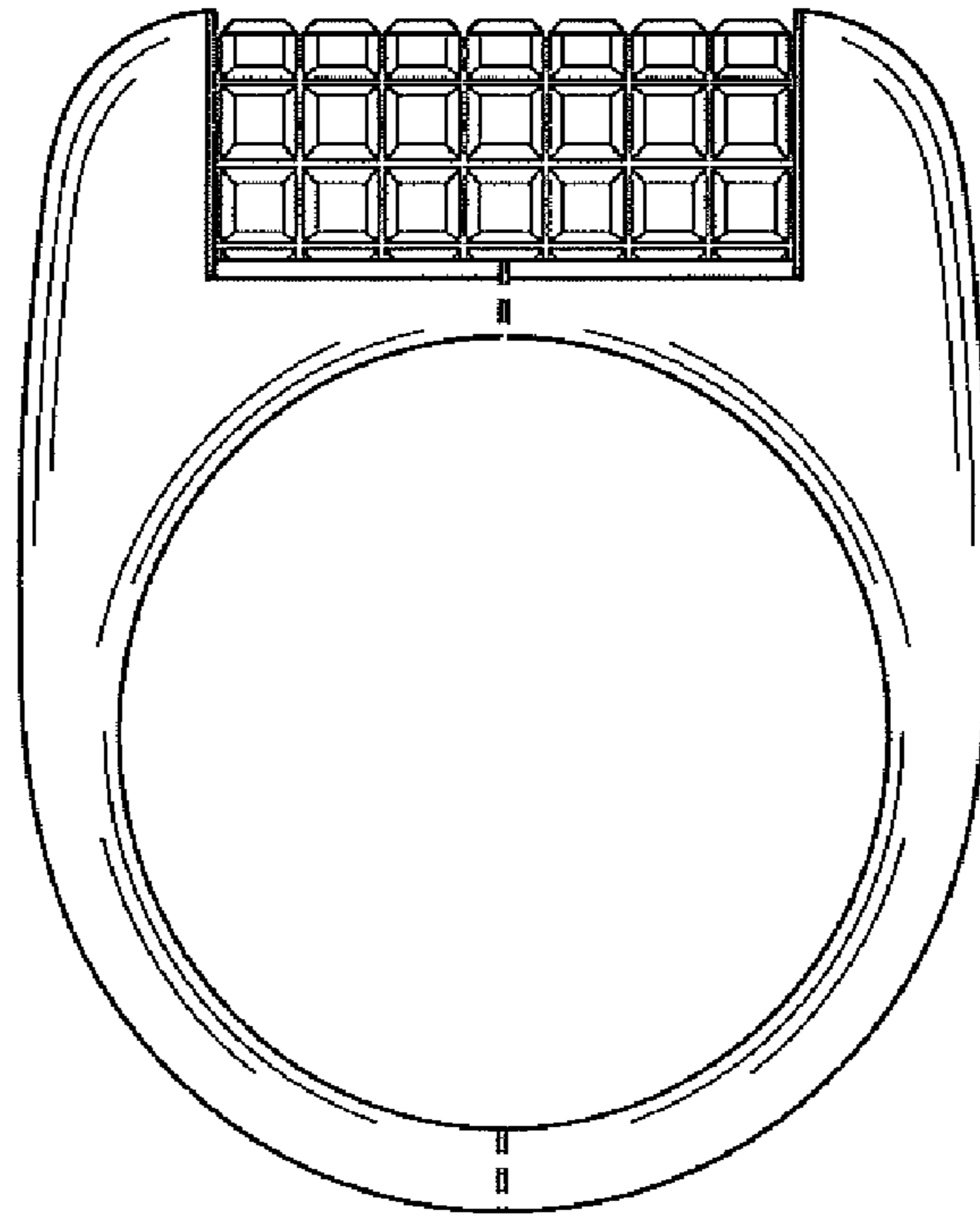


FIG. 3

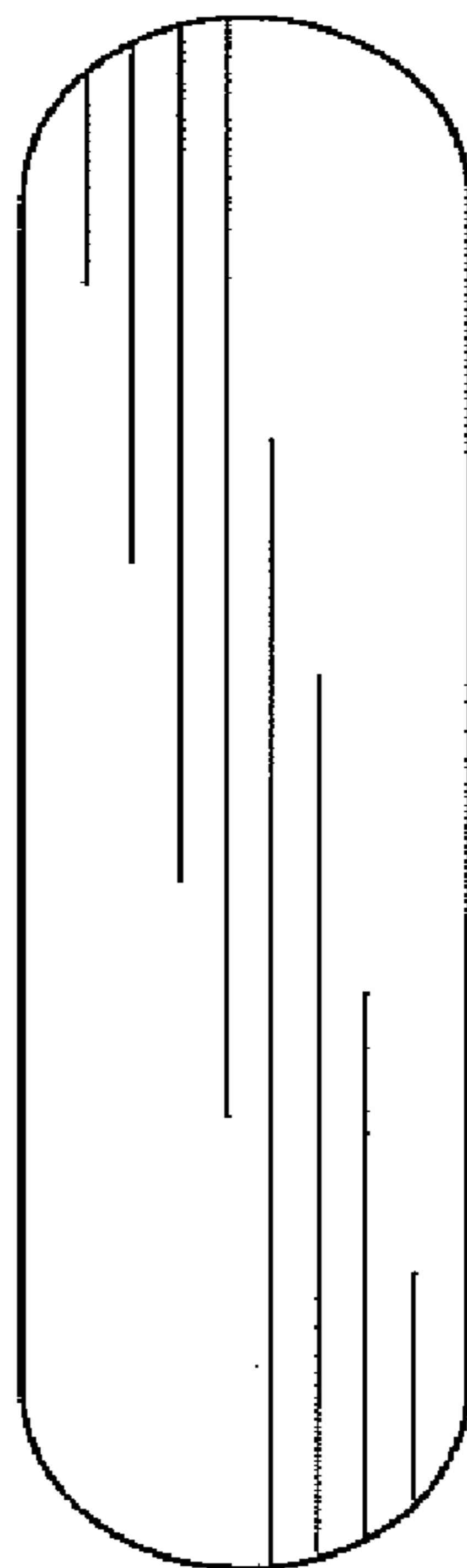


FIG. 4

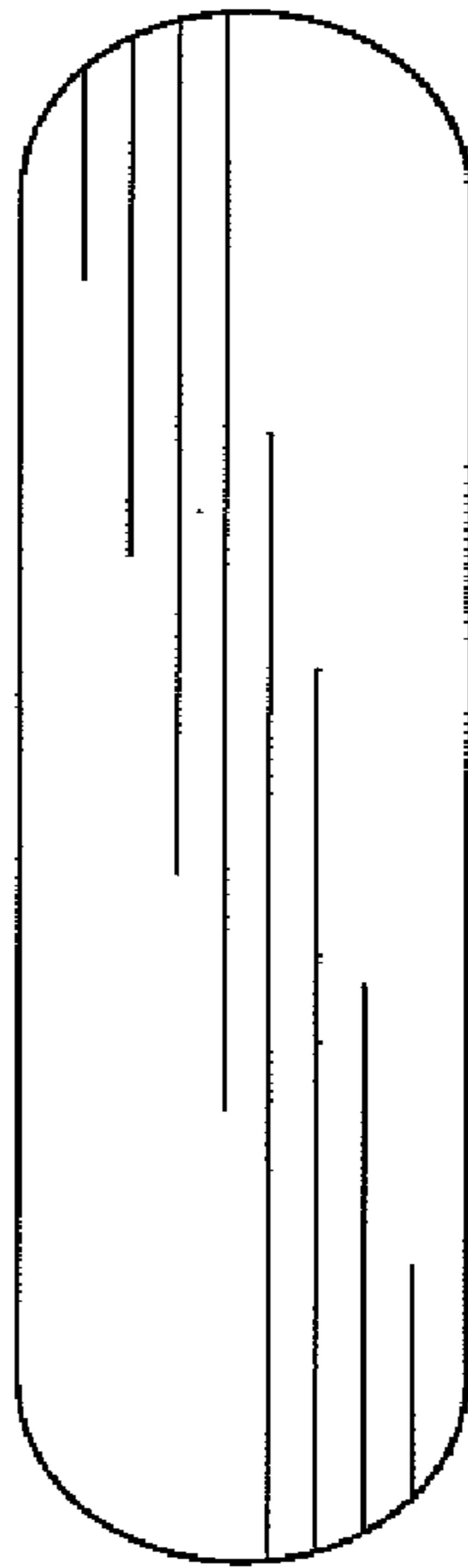


FIG. 5

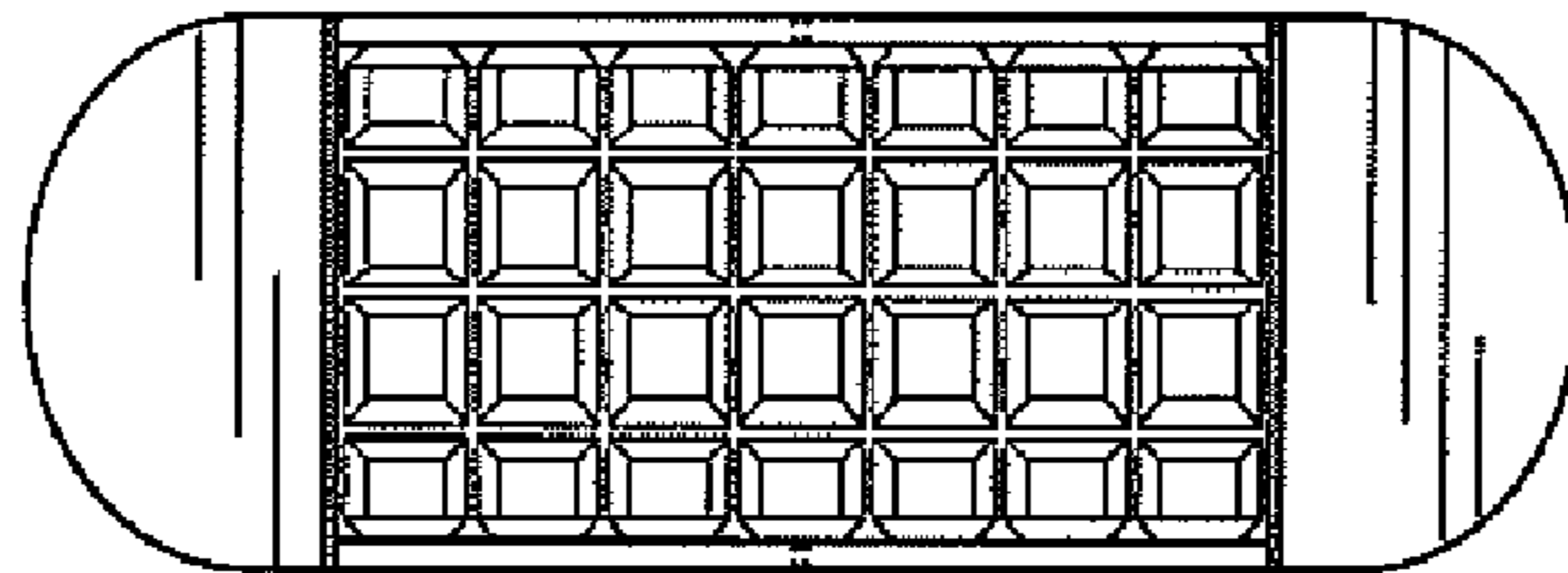


FIG. 6



FIG. 7