



US00D622624S

(12) **United States Design Patent**
Pohl et al.

(10) **Patent No.:** **US D622,624 S**

(45) **Date of Patent:** **** *Aug. 31, 2010**

(54) **SCALE**

(75) Inventors: **Achim Pohl**, Seeheim-Jugenheim (DE);
Tomas Fiegl, Darmstadt (DE)

(73) Assignee: **Sartorius AG** (DE)

(*) Notice: This patent is subject to a terminal disclaimer.

(**) Term: **14 Years**

(21) Appl. No.: **29/313,882**

(22) Filed: **Feb. 17, 2009**

(30) **Foreign Application Priority Data**

Aug. 22, 2008 (EM) 000990213

(51) **LOC (9) Cl.** **10-04**

(52) **U.S. Cl.** **D10/91**

(58) **Field of Classification Search** D10/87-92;
177/4, 7, 25.11-25.17, 126, 177, 210 R, 238-245,
177/262, DIG. 3; 324/515

See application file for complete search history.

(56) **References Cited**

U.S. PATENT DOCUMENTS

- D242,331 S * 11/1976 Kunz D10/91
- D275,558 S * 9/1984 Pearson D10/91
- 4,685,525 A * 8/1987 Knothe et al. 177/25.17
- D296,307 S * 6/1988 Knothe et al. D10/91

- 4,782,904 A * 11/1988 Brock 177/185
- D366,002 S * 1/1996 Brooks, Jr. D10/91
- D458,859 S * 6/2002 Dwertmann D10/91
- 6,989,494 B2 * 1/2006 Yagioka et al. 177/25.13
- D596,517 S * 7/2009 Kesselman D10/91
- D599,239 S * 9/2009 Pohl et al. D10/91
- 2008/0245580 A1 * 10/2008 Aby-Eva et al. 177/25.12

* cited by examiner

Primary Examiner—Raphael Barkai

Assistant Examiner—Randall H Gholson

(74) *Attorney, Agent, or Firm*—Gerald E. Hespos; Michael J. Porco

(57) **CLAIM**

The ornamental design for a scale, as shown and described.

DESCRIPTION

FIG. 1 is a perspective view of a scale showing the new design;

FIG. 2 is a front elevational view thereof;

FIG. 3 is a right-side elevational view thereof, an elevational view of the left side being a mirror image;

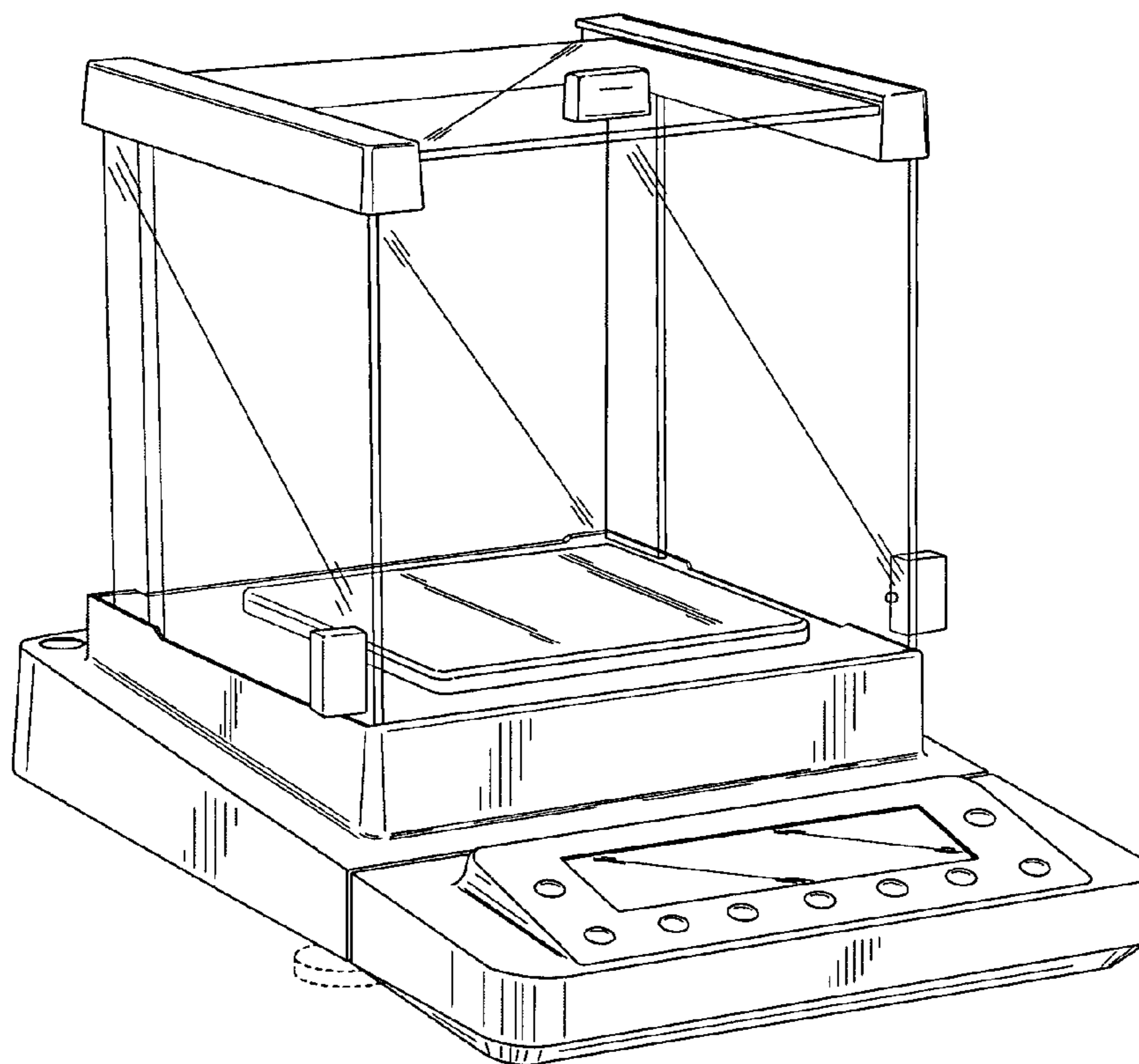
FIG. 4 is a rear view thereof;

FIG. 5 is a top plan view thereof; and,

FIG. 6 is a bottom plan view thereof.

The portion shown in dashed lines forms no part of the claimed design.

1 Claim, 6 Drawing Sheets



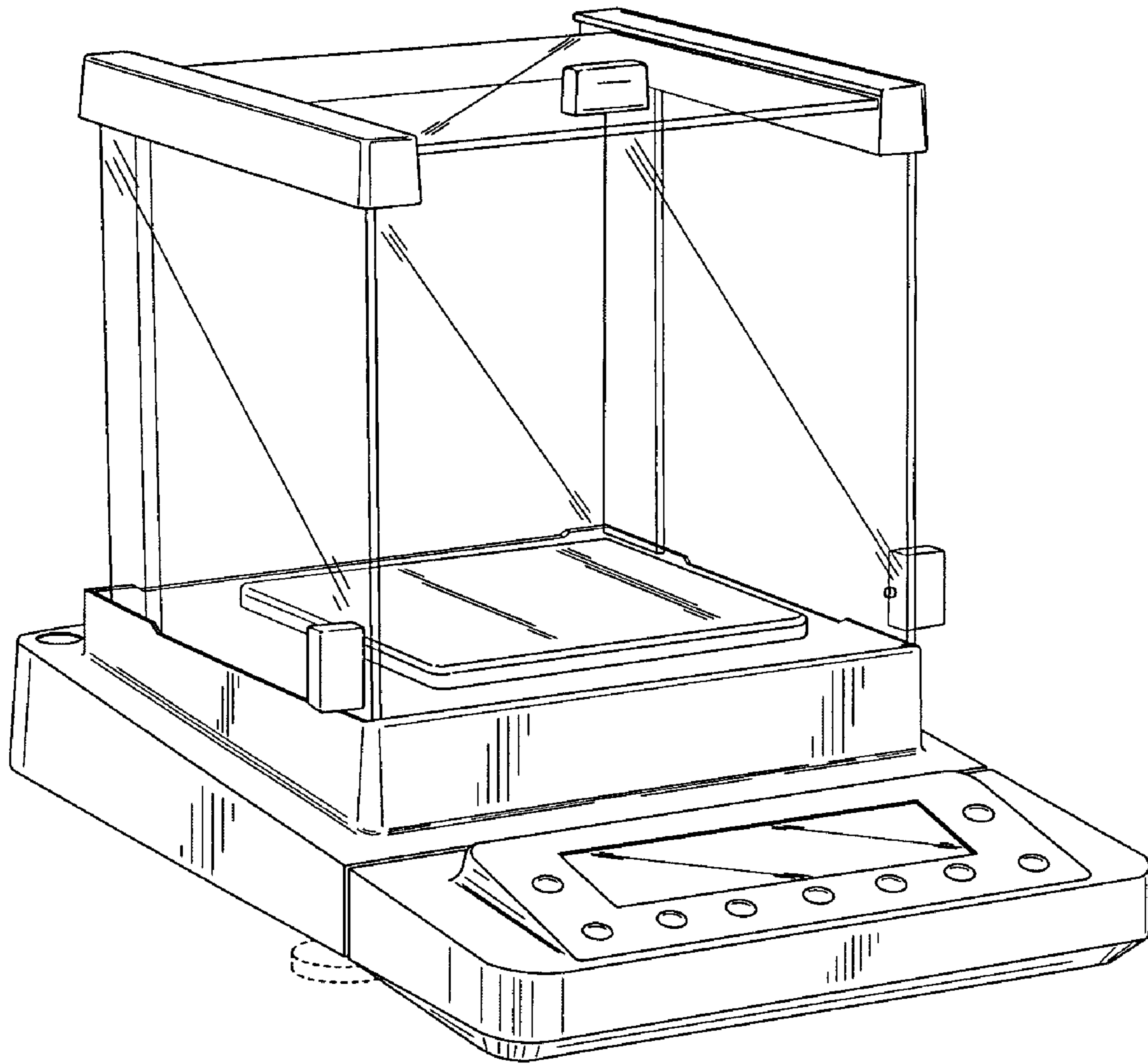


FIG. 1

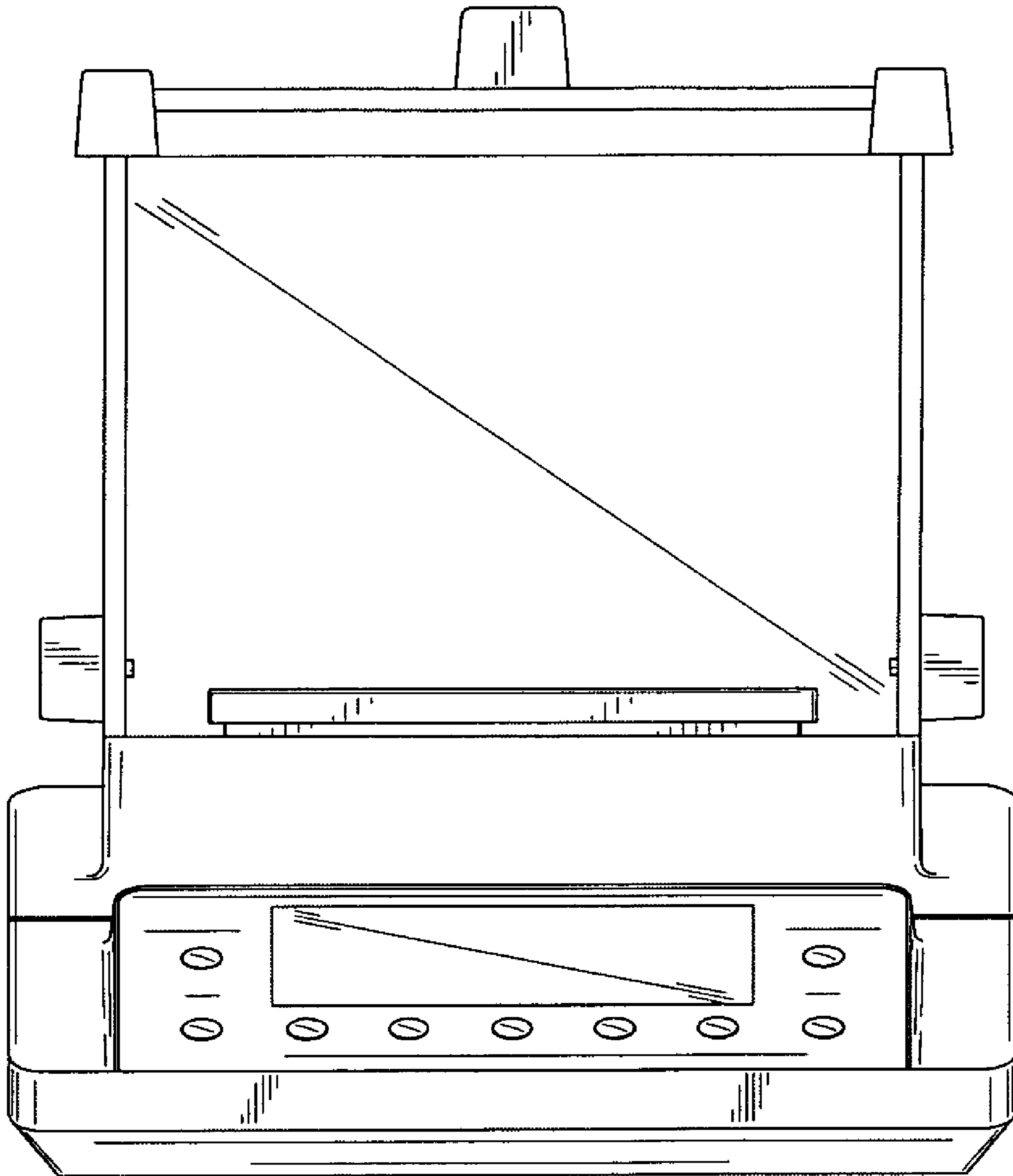


FIG. 2

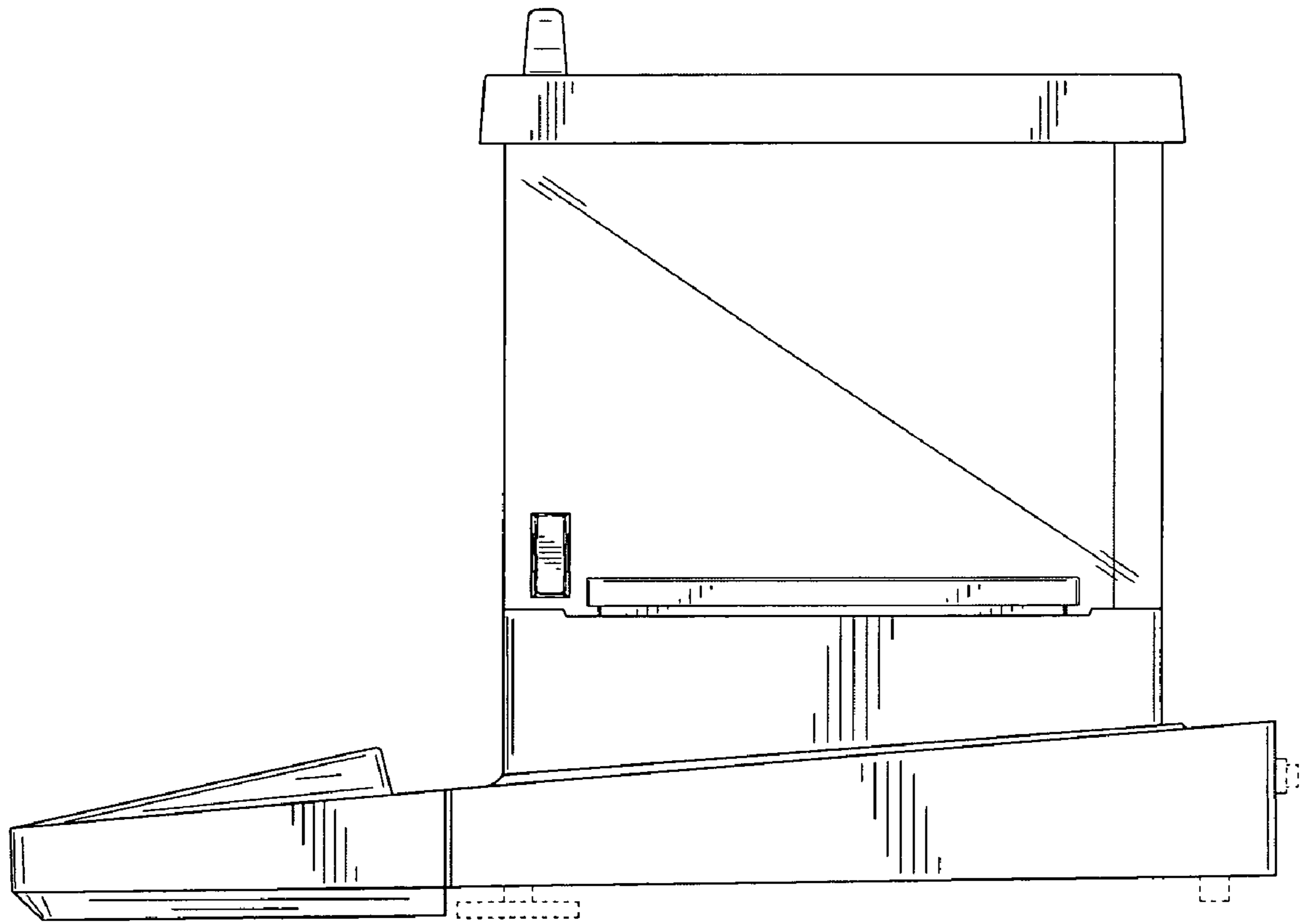


FIG. 3

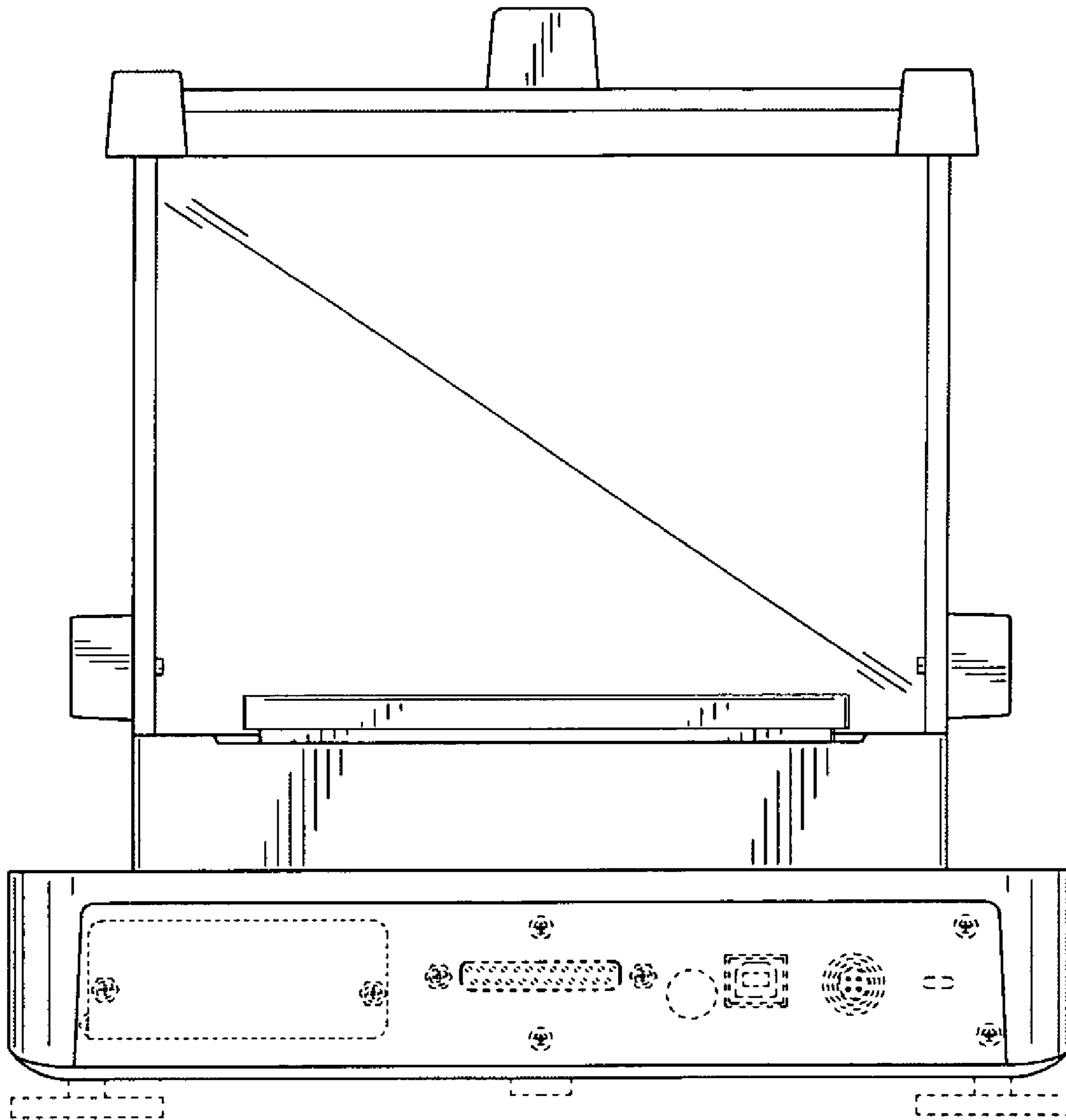


FIG. 4

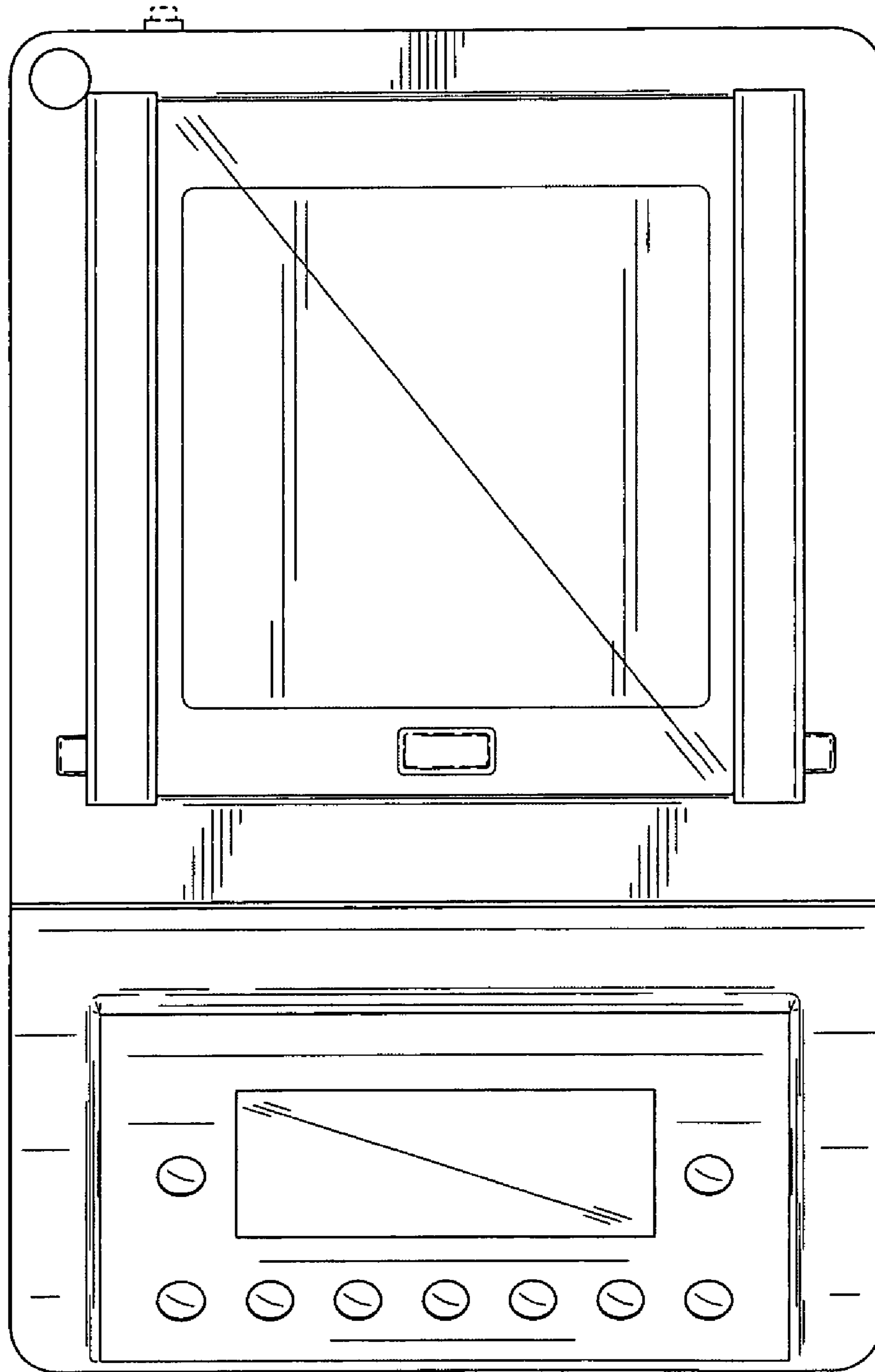


FIG. 5

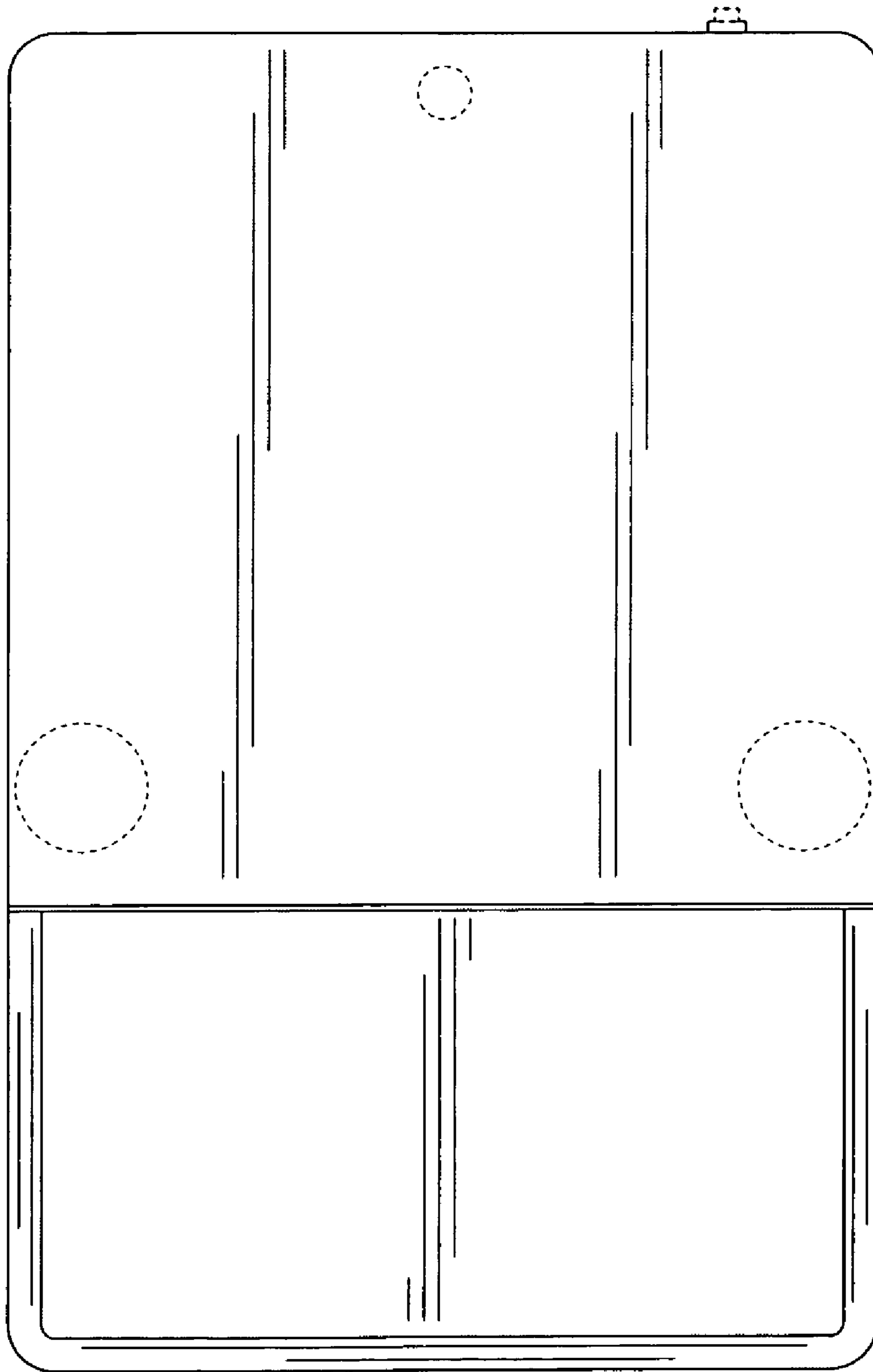


FIG. 6