



US00D622622S

(12) **United States Design Patent**  
**Dede et al.**

(10) **Patent No.:** **US D622,622 S**  
(45) **Date of Patent:** **\*\* Aug. 31, 2010**

(54) **REMOTE LENS UNIT ASSEMBLY OF A LASER DOPPLER VELOCIMETER**

(57) **CLAIM**

(75) Inventors: **Edgar K. Dede**, Manassas, VA (US);  
**Kenneth W. Simpson**, Culpeper, VA (US)

The ornamental design for a remote lens unit assembly of a laser Doppler velocimeter, as shown and described.

(73) Assignee: **Catch the Wind, Inc.**, Manassas, VA (US)

**DESCRIPTION**

(\*\*) Term: **14 Years**

FIG. 1 is a front elevation view of a remote lens unit assembly of a laser Doppler velocimeter according to the present invention;

(21) Appl. No.: **29/357,534**

FIG. 2 is a top, front and right side perspective view thereof;

(22) Filed: **Mar. 12, 2010**

FIG. 3 is a top, front and left side perspective view thereof;

(51) **LOC (9) Cl.** ..... **10-04**

FIG. 4 is a top plan view thereof;

(52) **U.S. Cl.** ..... **D10/59; D10/96**

FIG. 5 is a right side elevation view thereof;

(58) **Field of Classification Search** ..... **D10/59,**

FIG. 6 is a left side elevation view thereof;

**D10/96, 98; 342/104, 192; 351/206, 221;**

FIG. 7 is a bottom, front and left side perspective view thereof;

**356/28, 28.5, 484; 359/399-406**

FIG. 8 is a bottom, front and right side perspective view thereof;

See application file for complete search history.

FIG. 9 is a bottom plan view thereof;

(56) **References Cited**

FIG. 10 is a rear elevation view thereof;

**U.S. PATENT DOCUMENTS**

FIG. 11 is a top, rear and right side perspective view thereof;

3,897,152 A \* 7/1975 Farmer et al. .... 356/28

FIG. 12 is a top, rear and left side perspective view thereof;

4,126,392 A \* 11/1978 House ..... 356/28.5

FIG. 13 is a bottom, rear and left side perspective view thereof; and,

4,402,601 A \* 9/1983 Riva ..... 356/28.5

FIG. 14 is a bottom, rear and right side perspective view thereof.

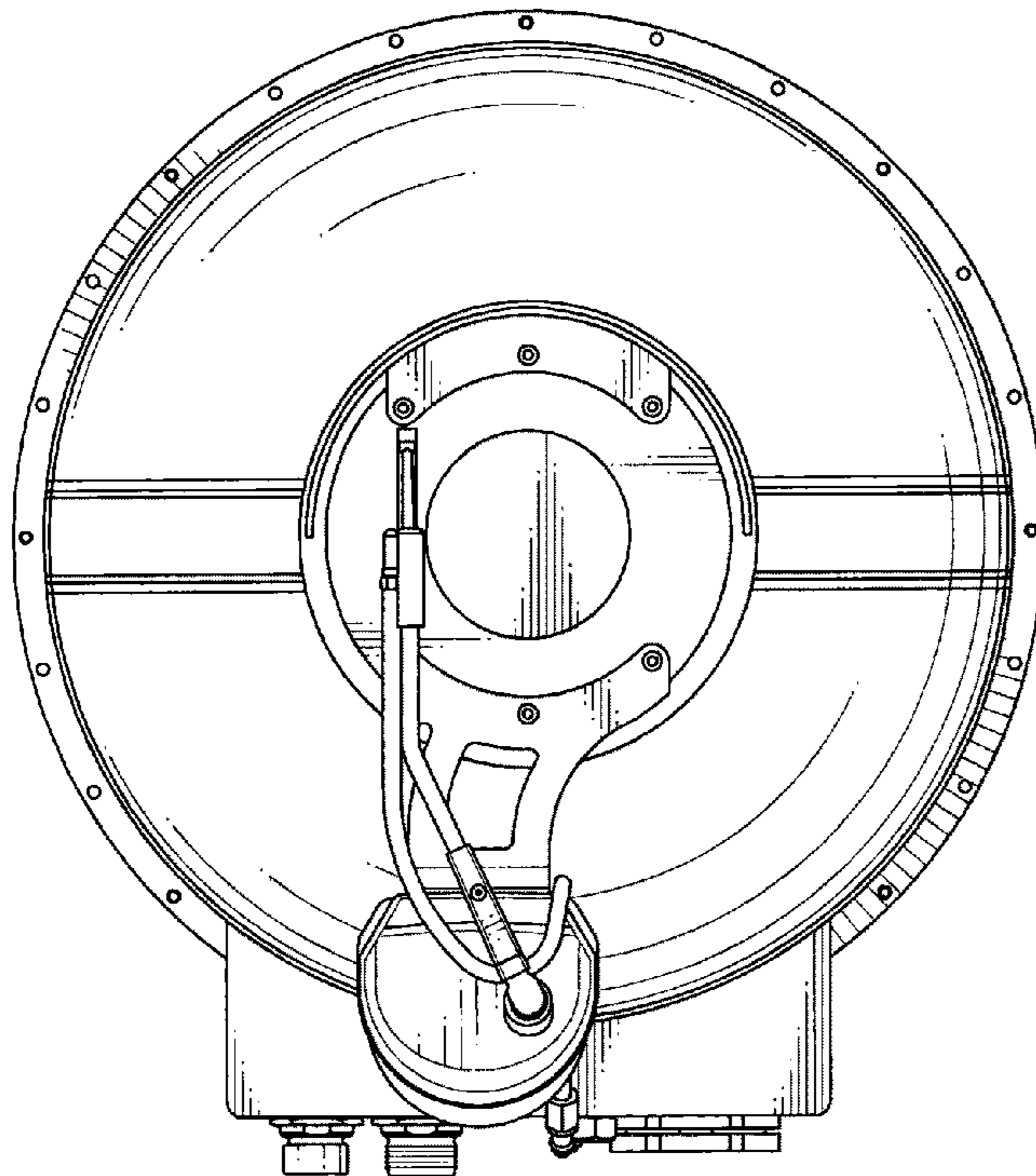
4,715,707 A \* 12/1987 Reynolds et al. .... 356/28.5

\* cited by examiner

*Primary Examiner*—Antoine D Davis

**1 Claim, 14 Drawing Sheets**

(74) *Attorney, Agent, or Firm*—Dickstein Shapiro LLP



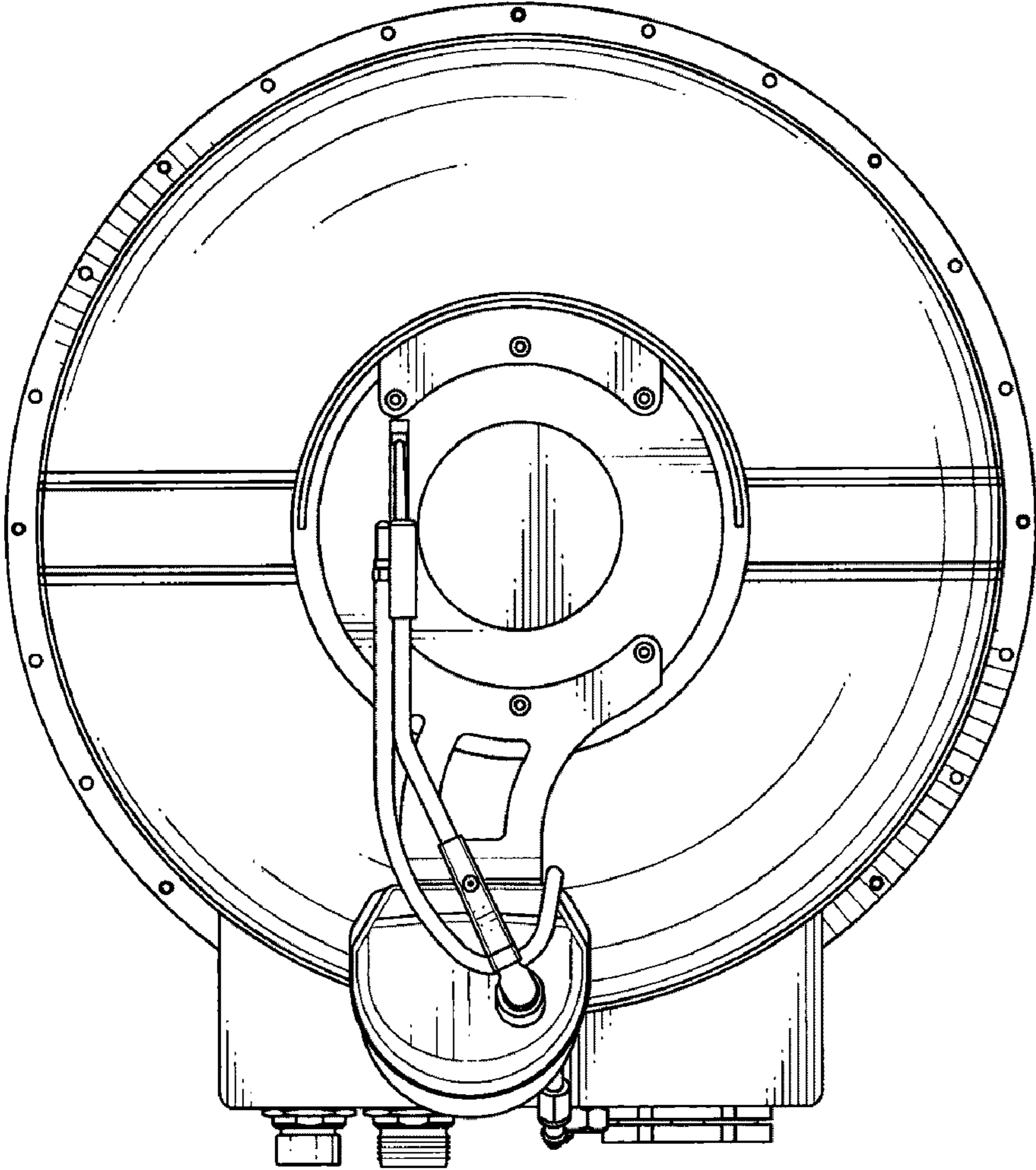


FIG. 1

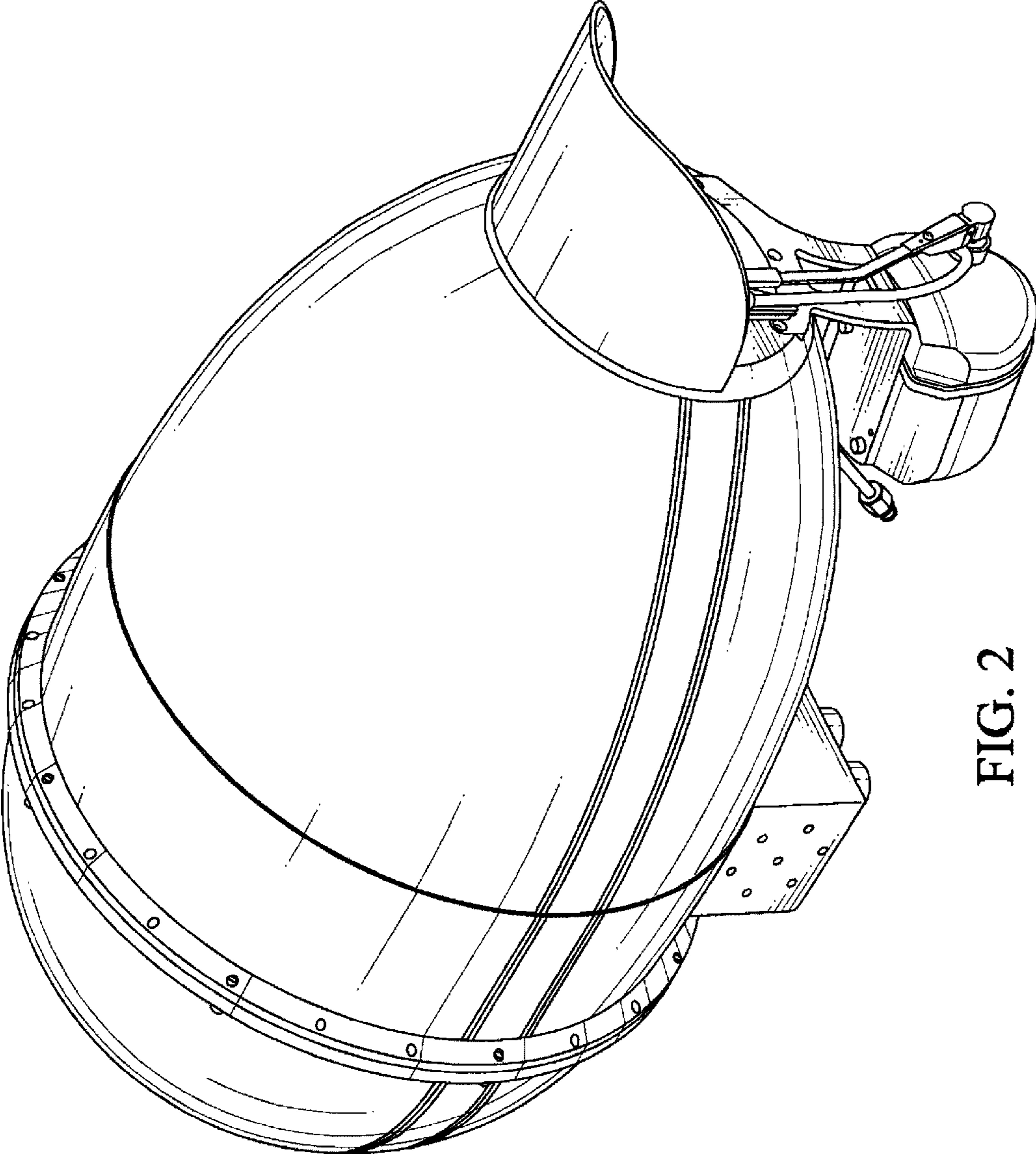


FIG. 2

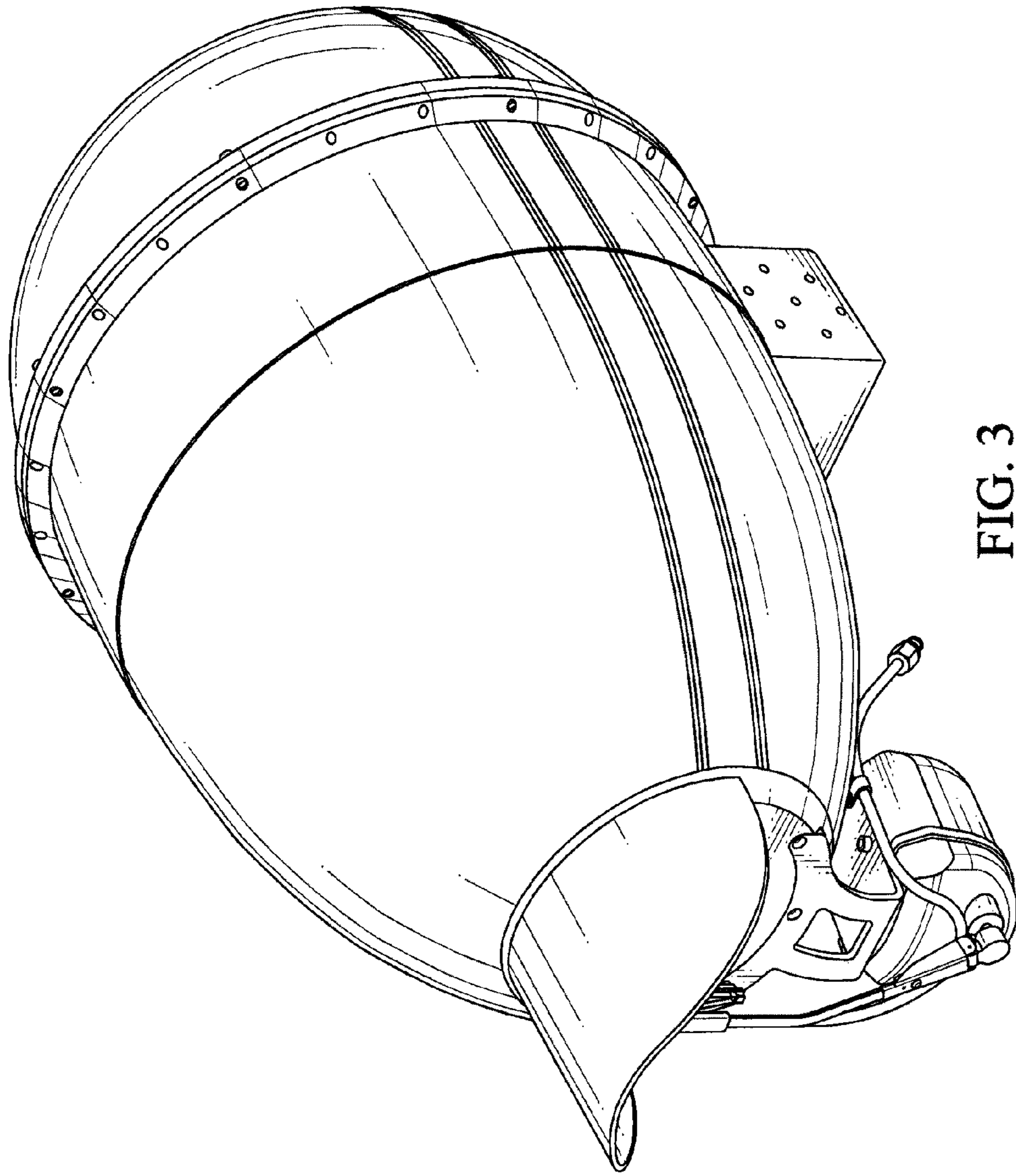


FIG. 3

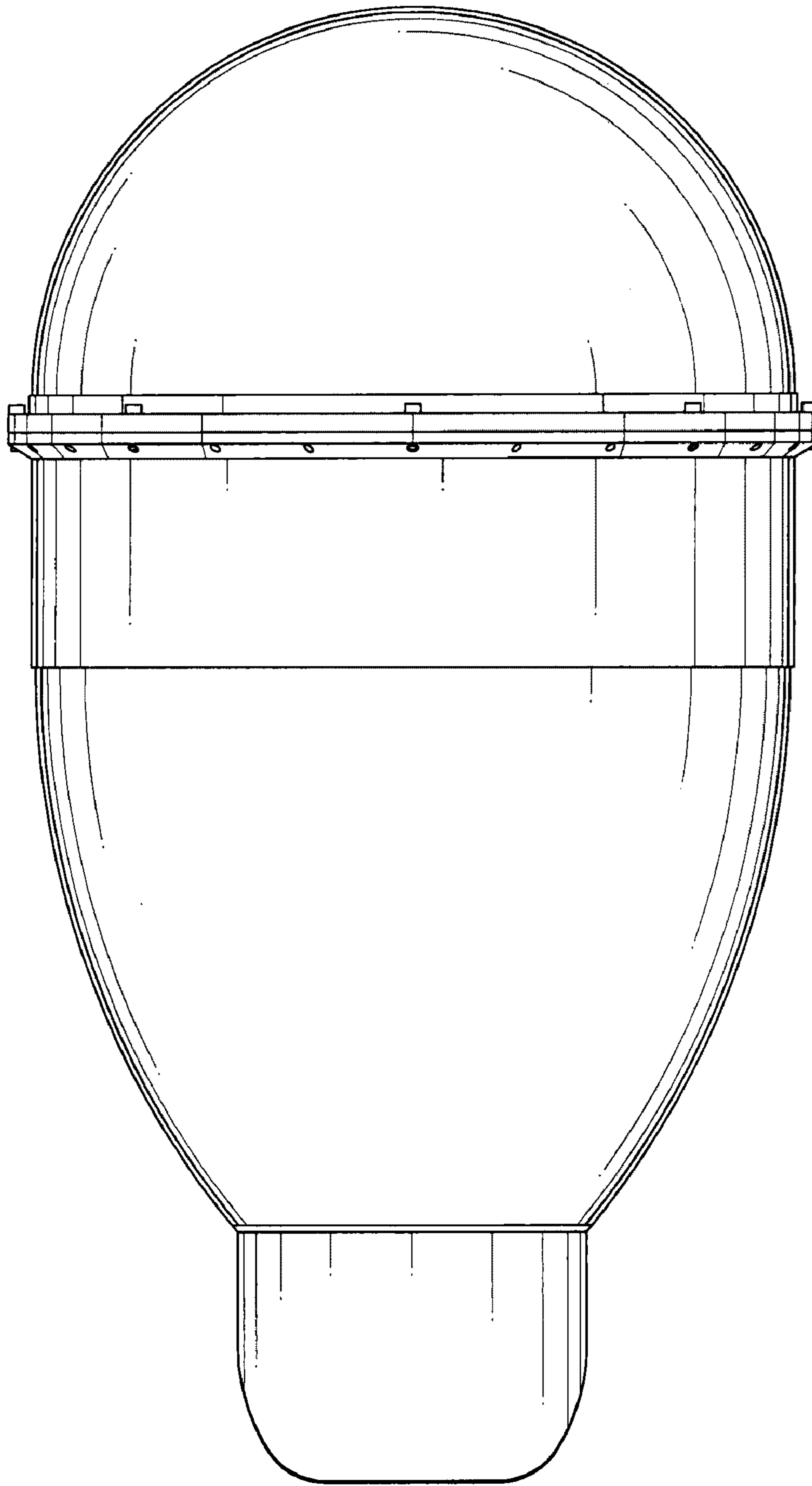


FIG. 4

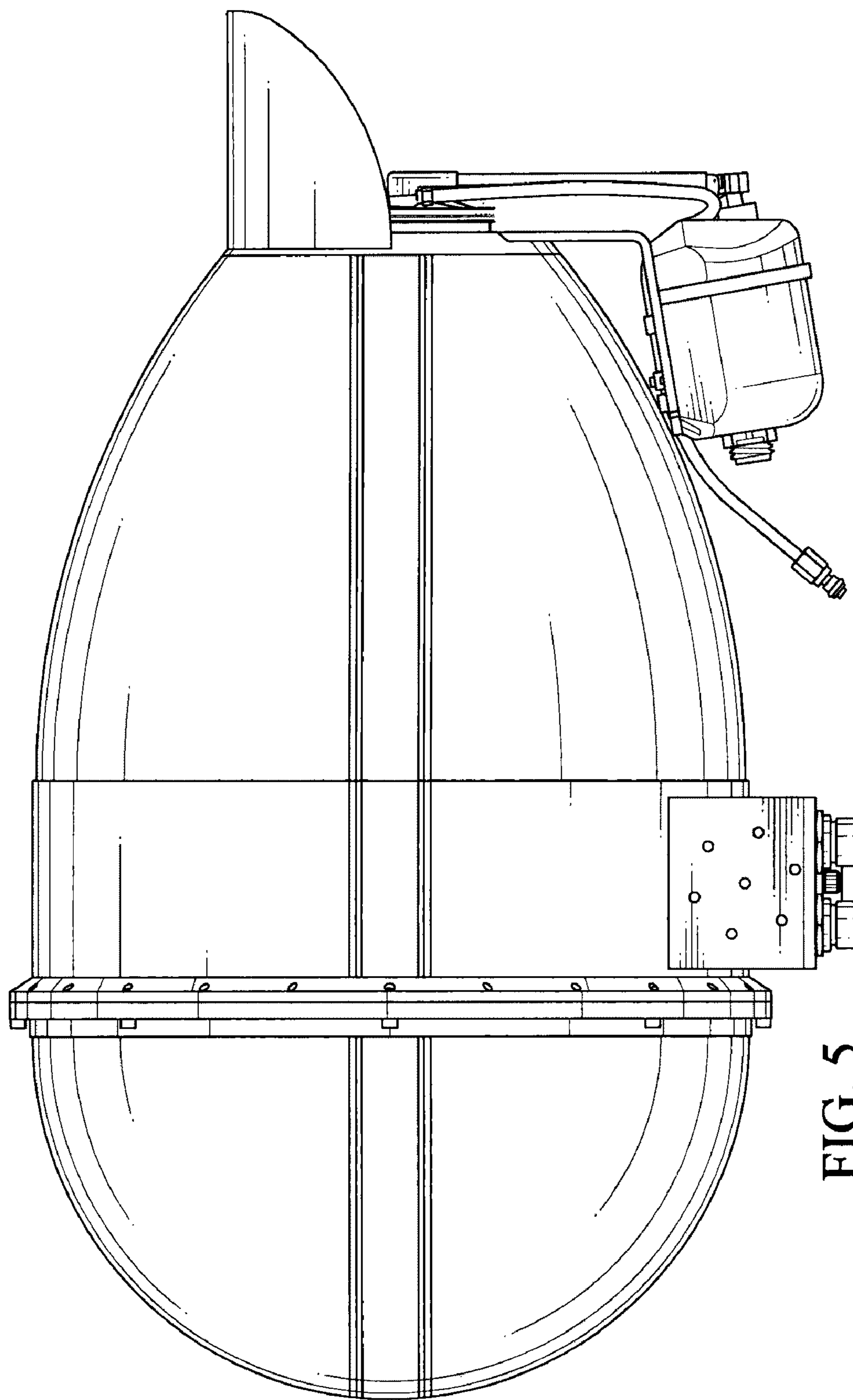


FIG. 5

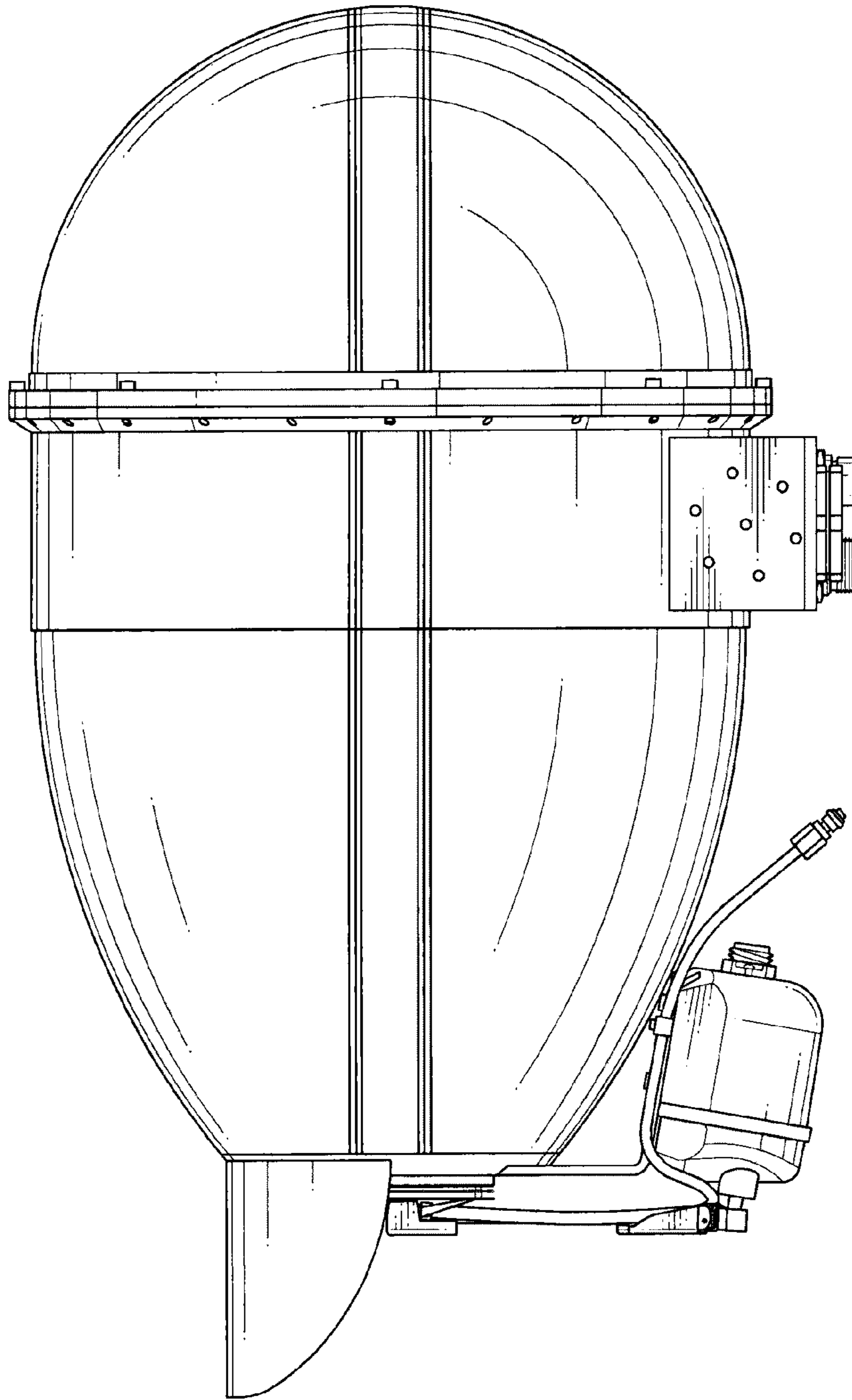


FIG. 6

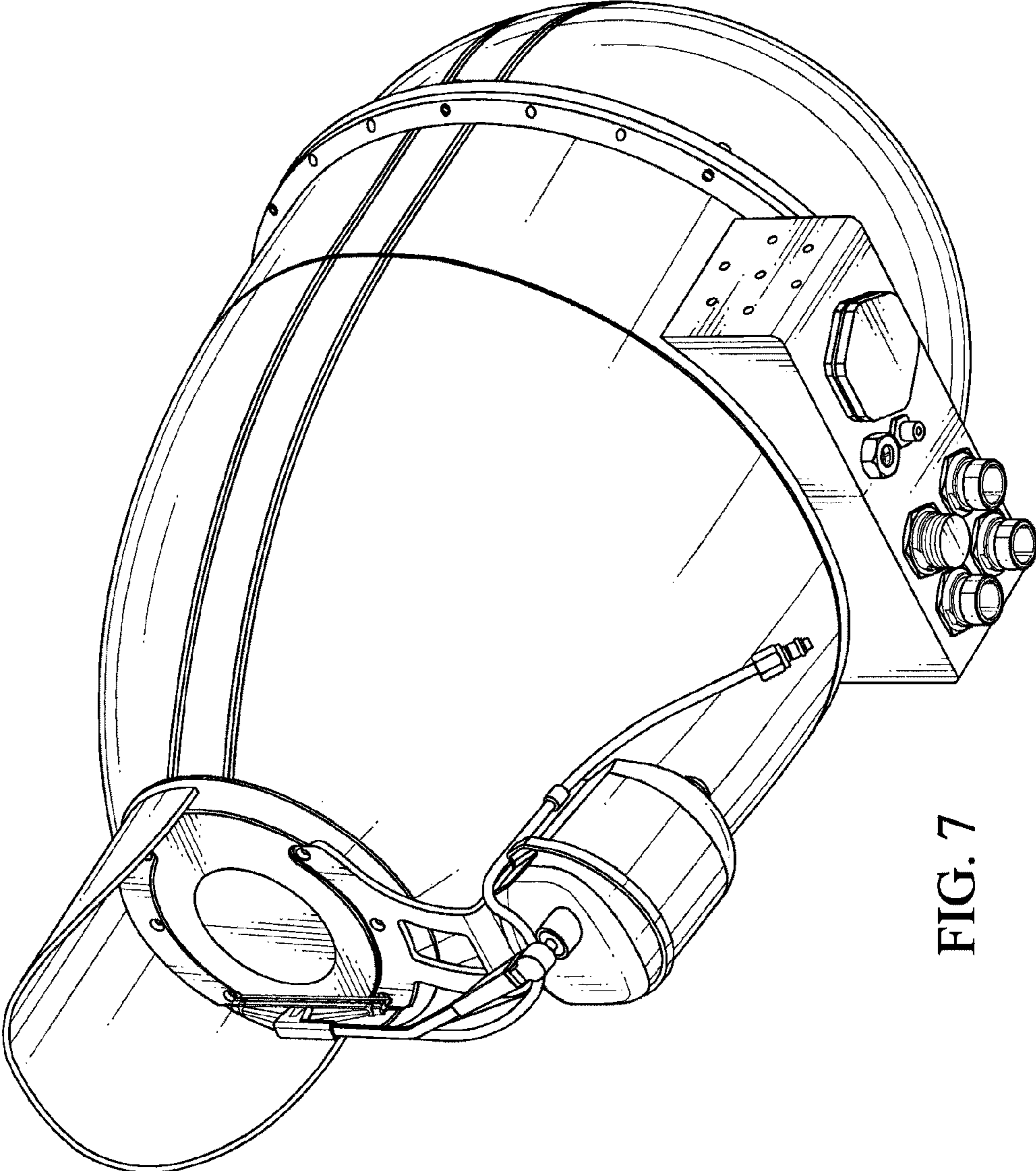


FIG. 7



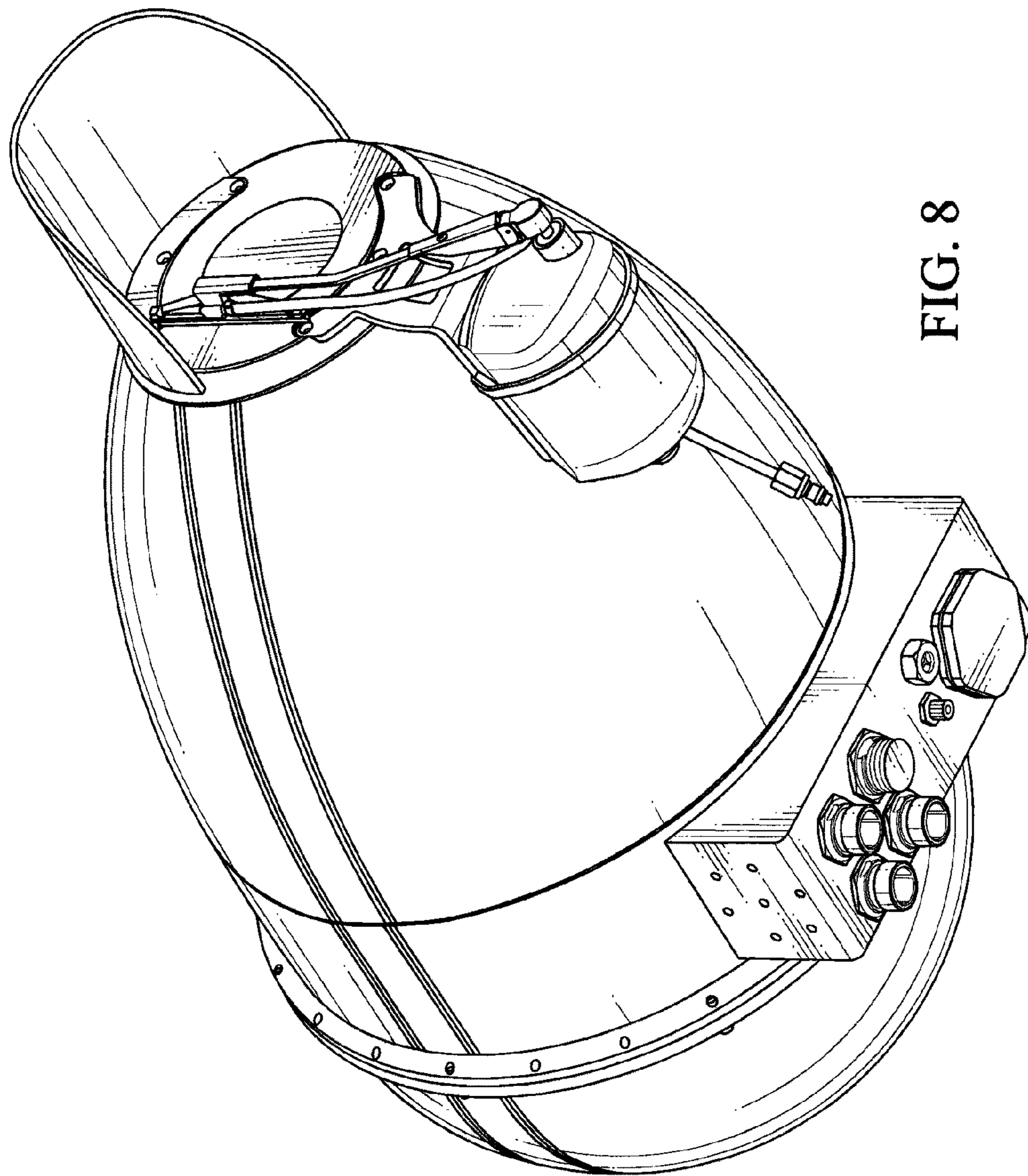


FIG. 8

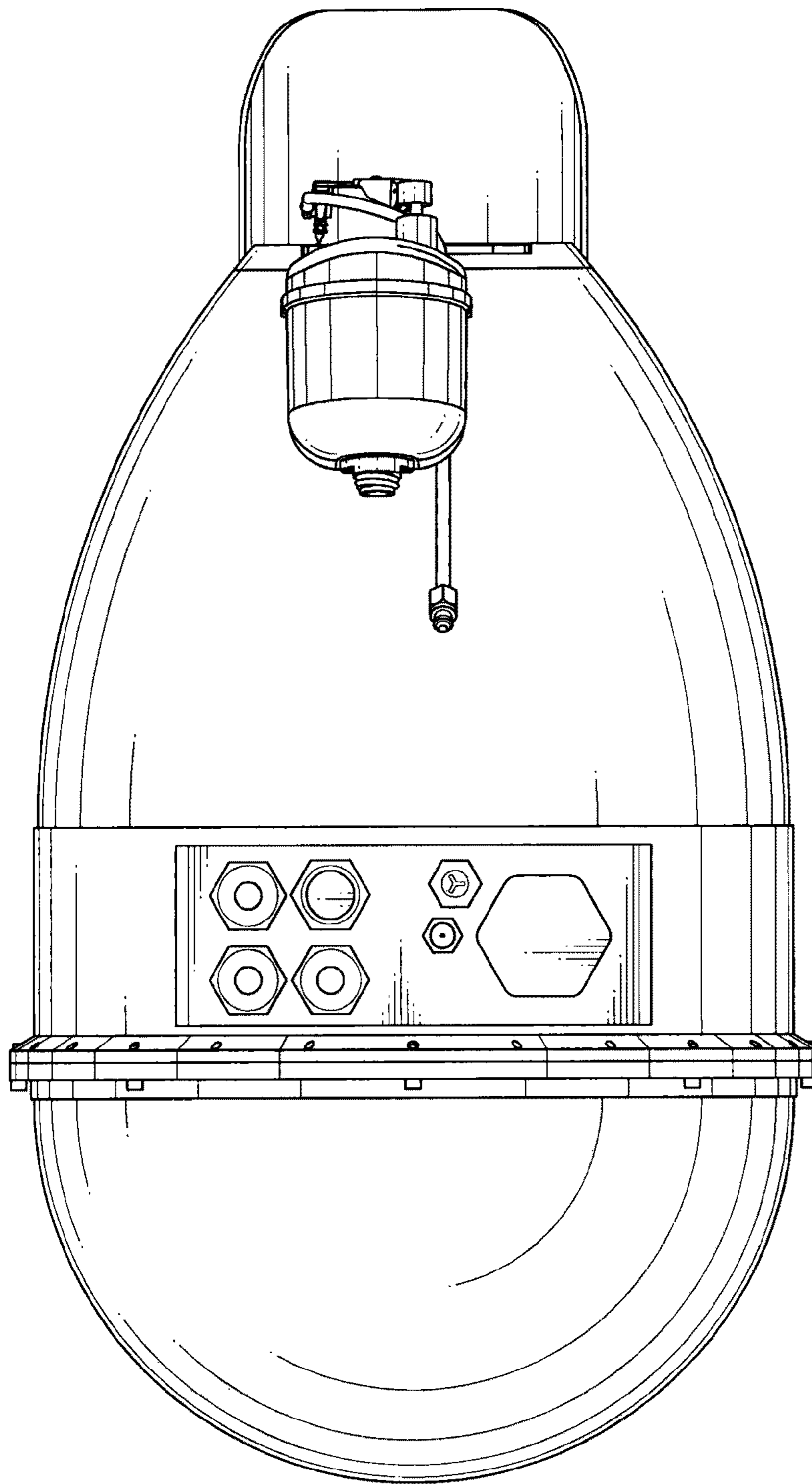


FIG. 9

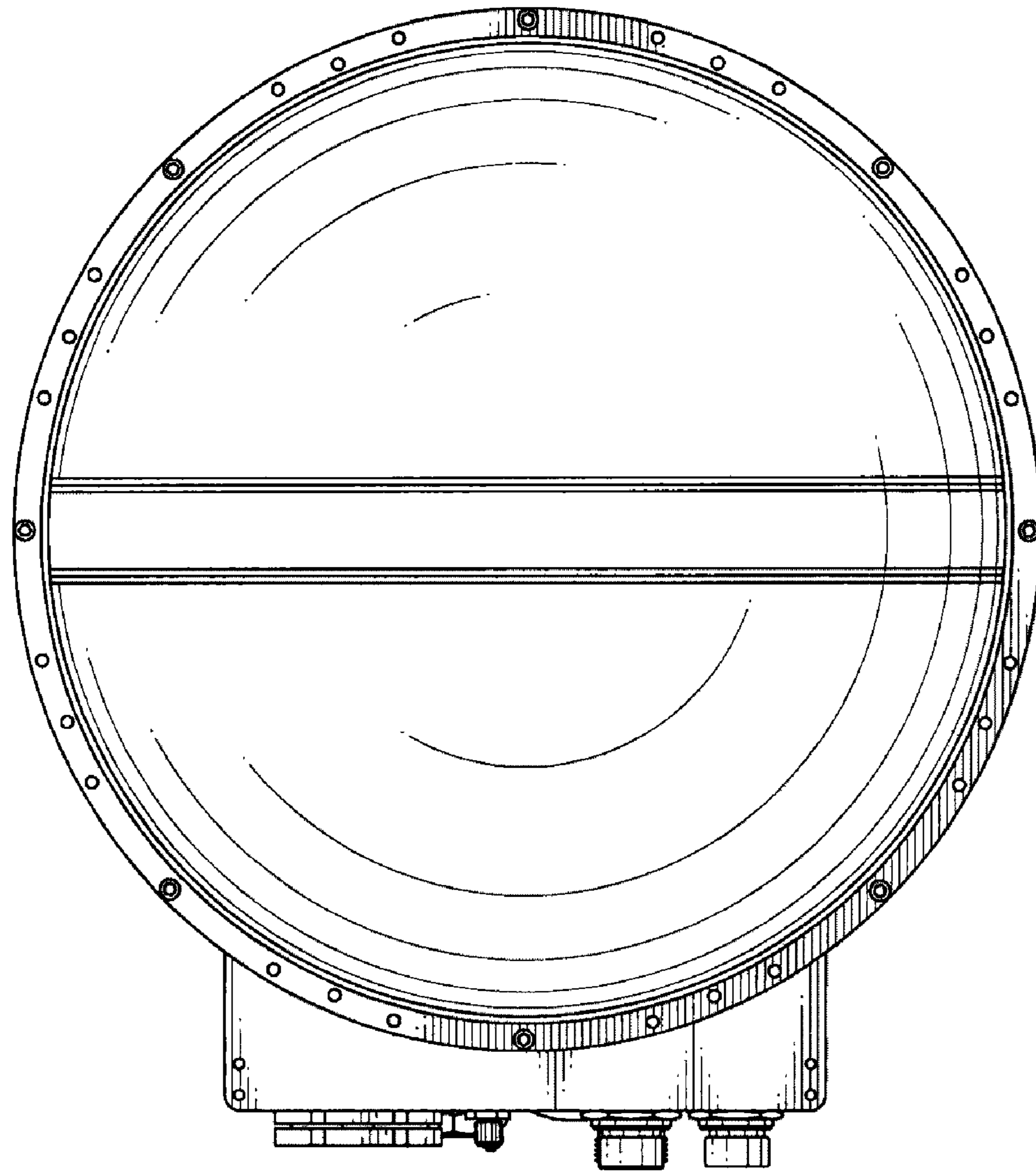


FIG. 10

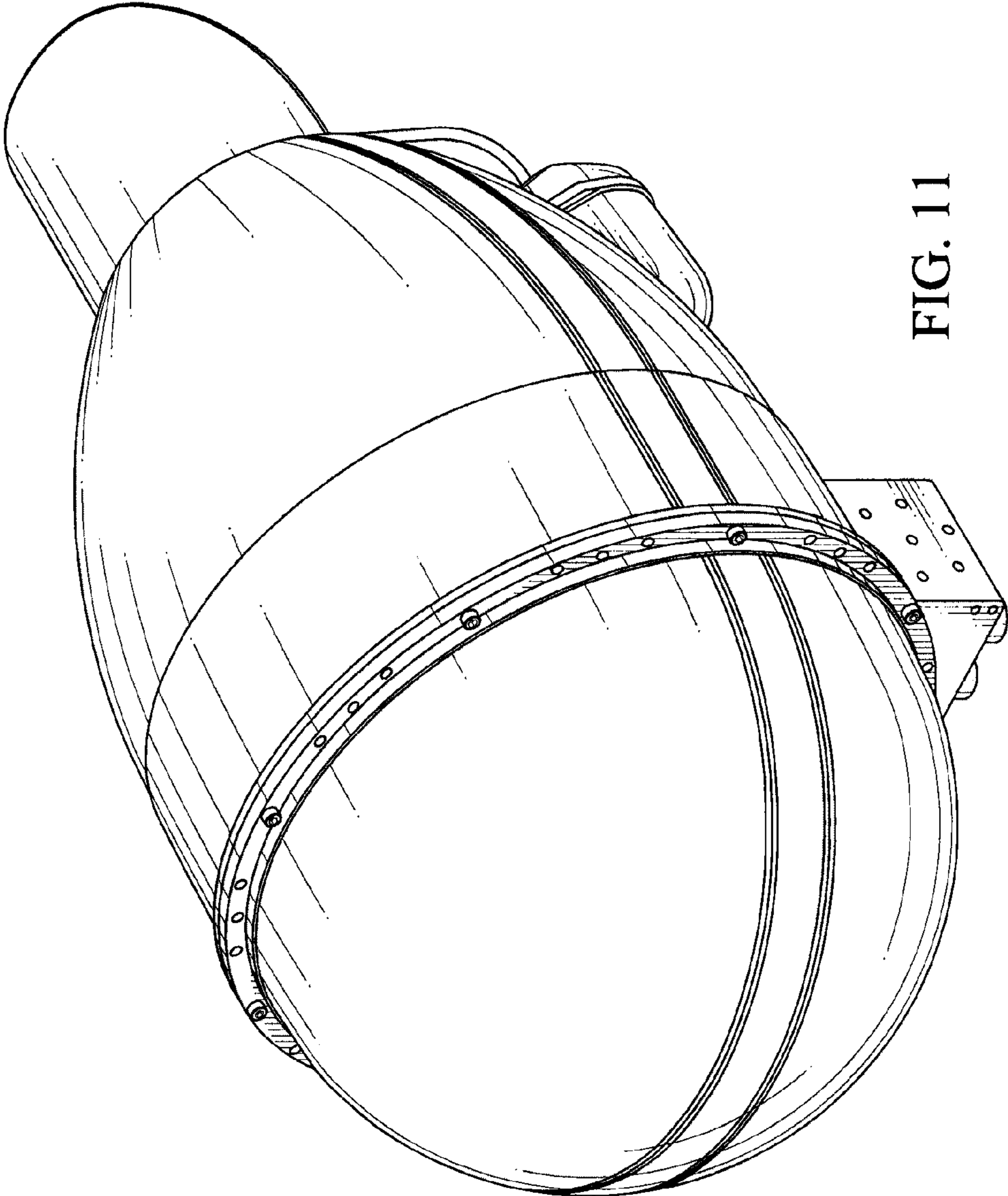


FIG. 11

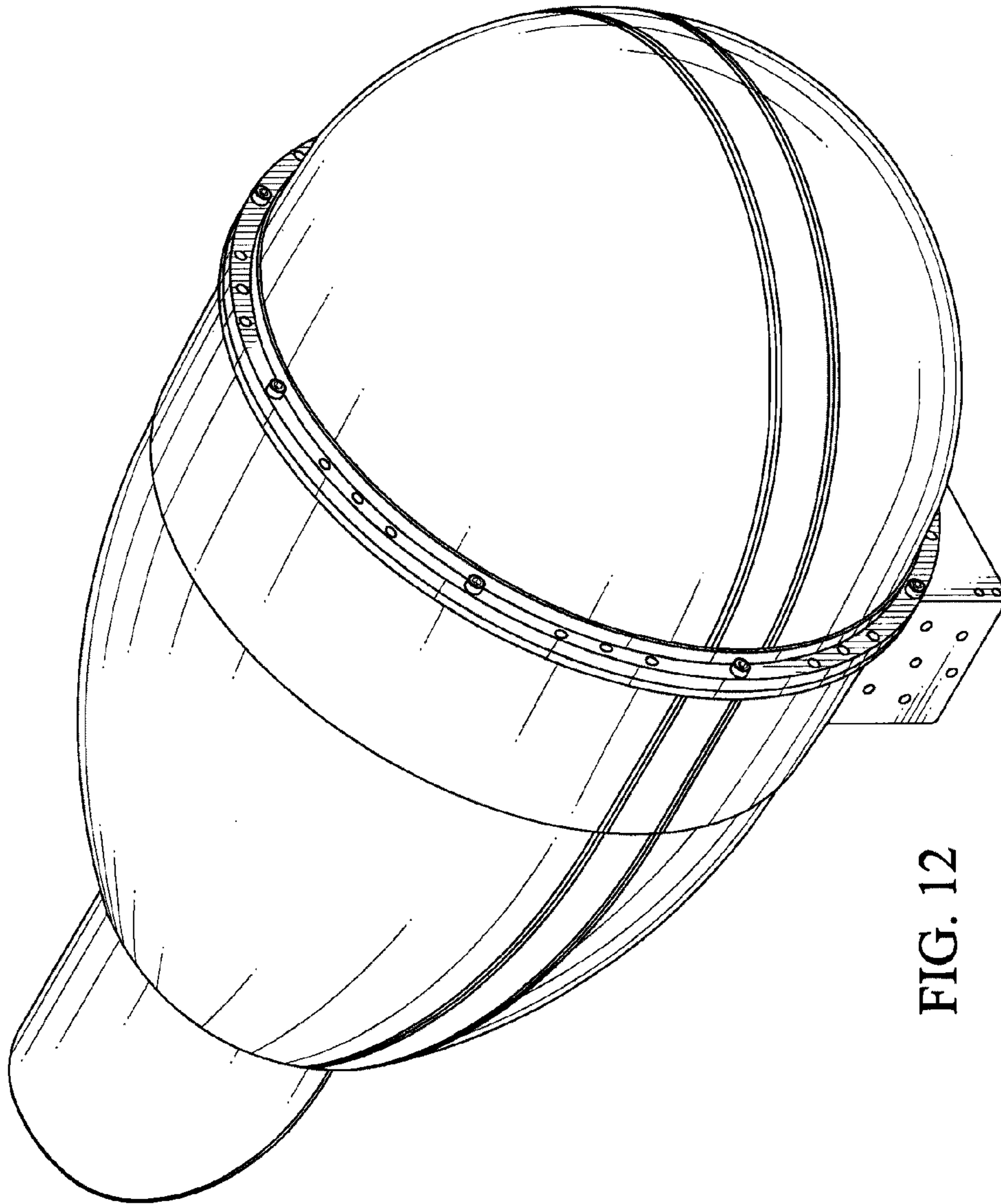


FIG. 12

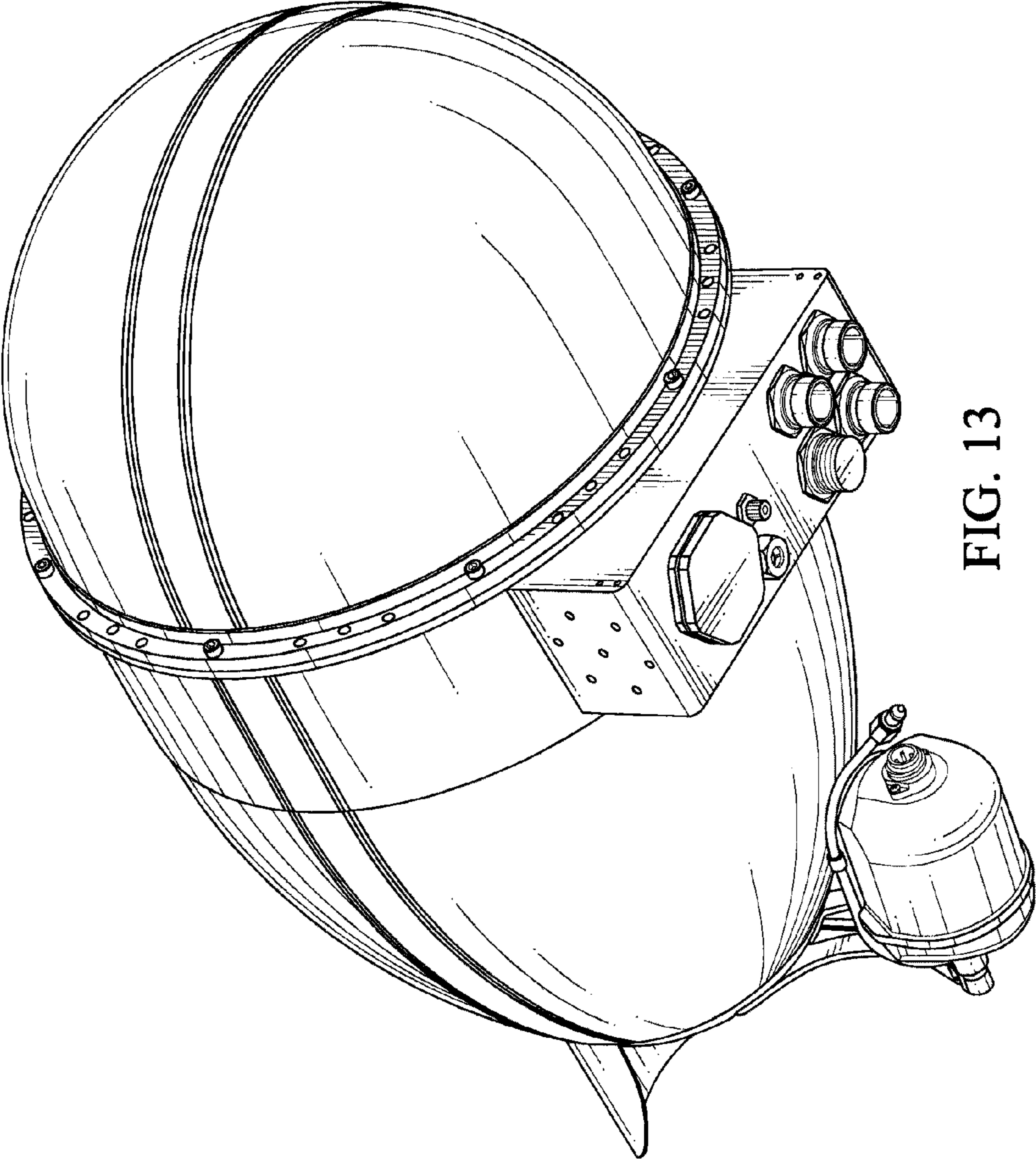


FIG. 13

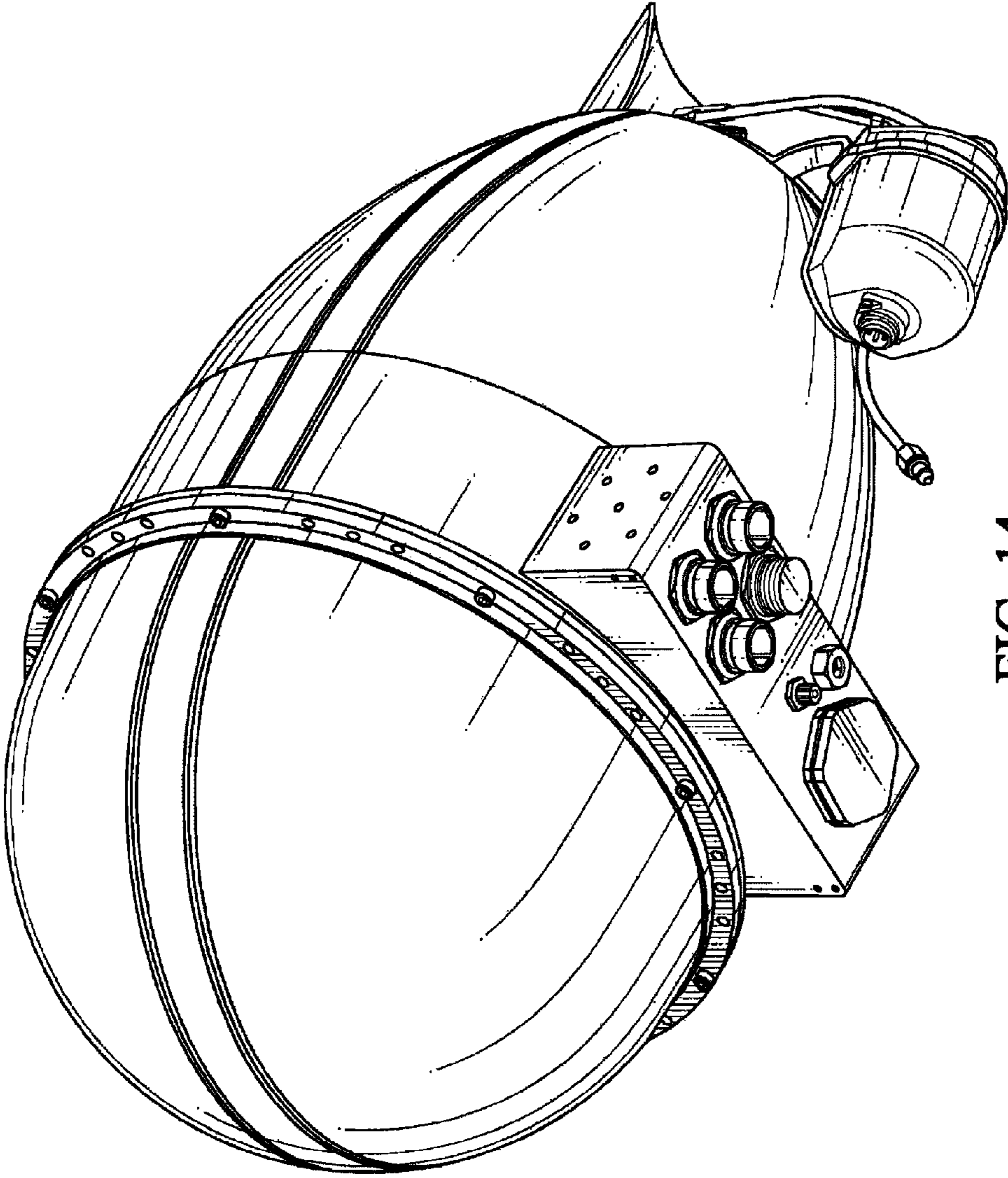


FIG. 14