



US00D622621S

(12) **United States Design Patent**
Choi et al.

(10) **Patent No.:** **US D622,621 S**

(45) **Date of Patent:** **** Aug. 31, 2010**

(54) **TRANSMITTER-RECEIVER FOR AIR
CONDITIONER**

(75) Inventors: **Min Kyung Choi**, Seoul (KR); **Ji
Hyeoung Lee**, Seoul (KR)

(73) Assignee: **Samsung Electronics Co., Ltd.**, Suwon
(KR)

(**) Term: **14 Years**

(21) Appl. No.: **29/329,023**

(22) Filed: **Dec. 8, 2008**

(51) **LOC (9) Cl.** **10-01**

(52) **U.S. Cl.** **D10/50**

(58) **Field of Classification Search** D10/46,
D10/49, 50; 236/5, 46 R-46 F, 47, 49.3,
236/51, 84, 94; 340/7.21-7.24, 7.32, 825.6,
340/825.72, 539.1, 539.11, 539.14, 539.21,
340/539.26, 426.21, 584, 589, 870.17; 374/167;
400/485; 455/420, 226.1; D13/123, 184,
D13/162

See application file for complete search history.

(56) **References Cited**

U.S. PATENT DOCUMENTS

D559,710 S * 1/2008 Jacoby et al. D10/49

D582,801 S * 12/2008 Comerford et al. D10/50
D582,803 S * 12/2008 Comerford et al. D10/50
D592,982 S * 5/2009 Burt et al. D10/50
D595,161 S * 6/2009 Fisher et al. D10/50
D596,587 S * 7/2009 Gaertner D13/162
D597,864 S * 8/2009 Sakuma et al. D10/50

* cited by examiner

Primary Examiner—Brian N Vinson

(74) *Attorney, Agent, or Firm*—Ladas and Parry LLP

(57) **CLAIM**

The ornamental design for a transmitter-receiver for an air conditioner, as shown and described.

DESCRIPTION

FIG. 1 is a top, front, and left side perspective view of a transmitter-receiver for an air conditioner showing our new design:

FIG. 2 is a front elevational view thereof;

FIG. 3 is a left side elevational view thereof;

FIG. 4 is a right side elevational view thereof; and,

FIG. 5 is a top plan view thereof.

1 Claim, 5 Drawing Sheets

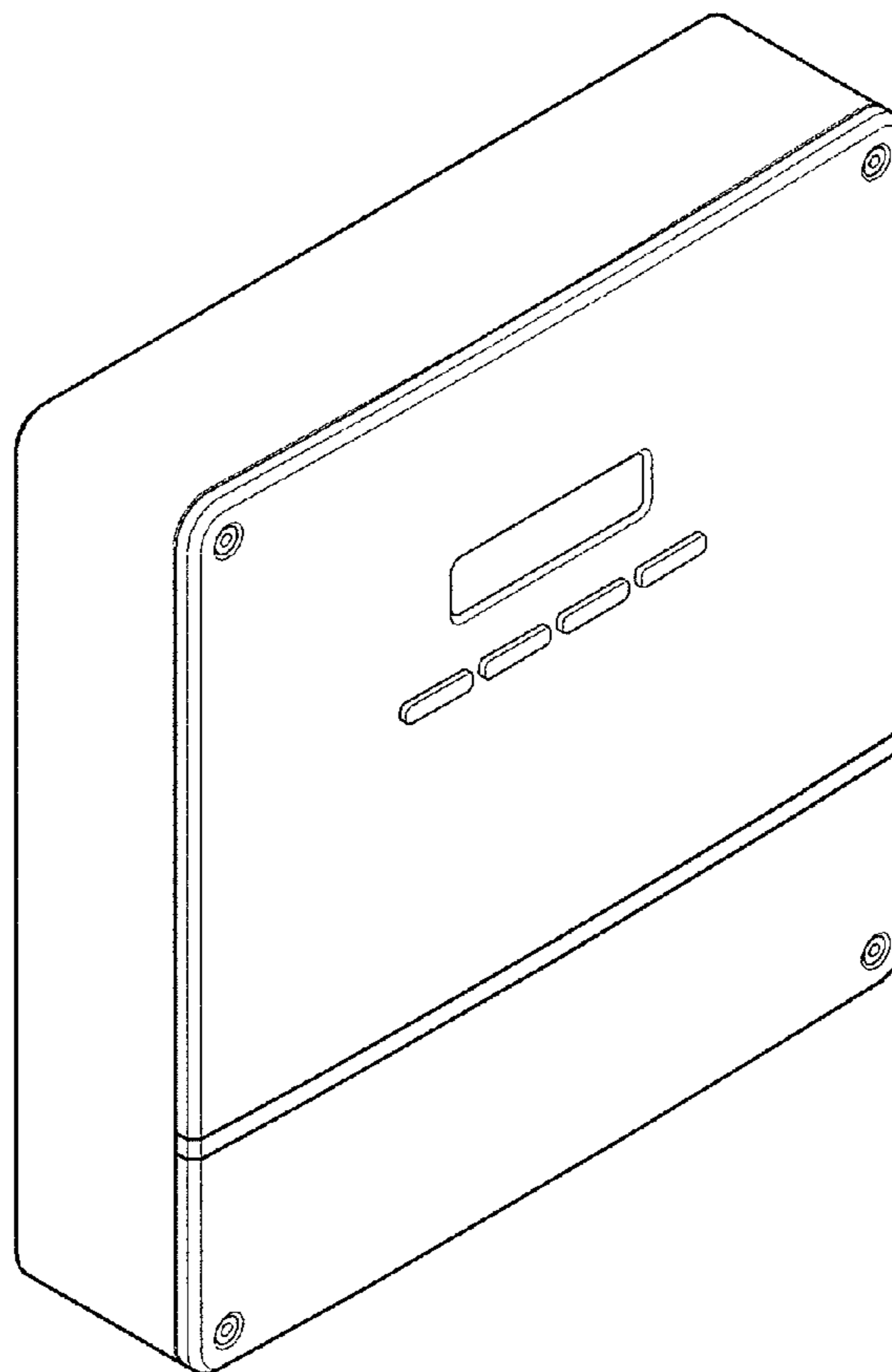


FIG. 1

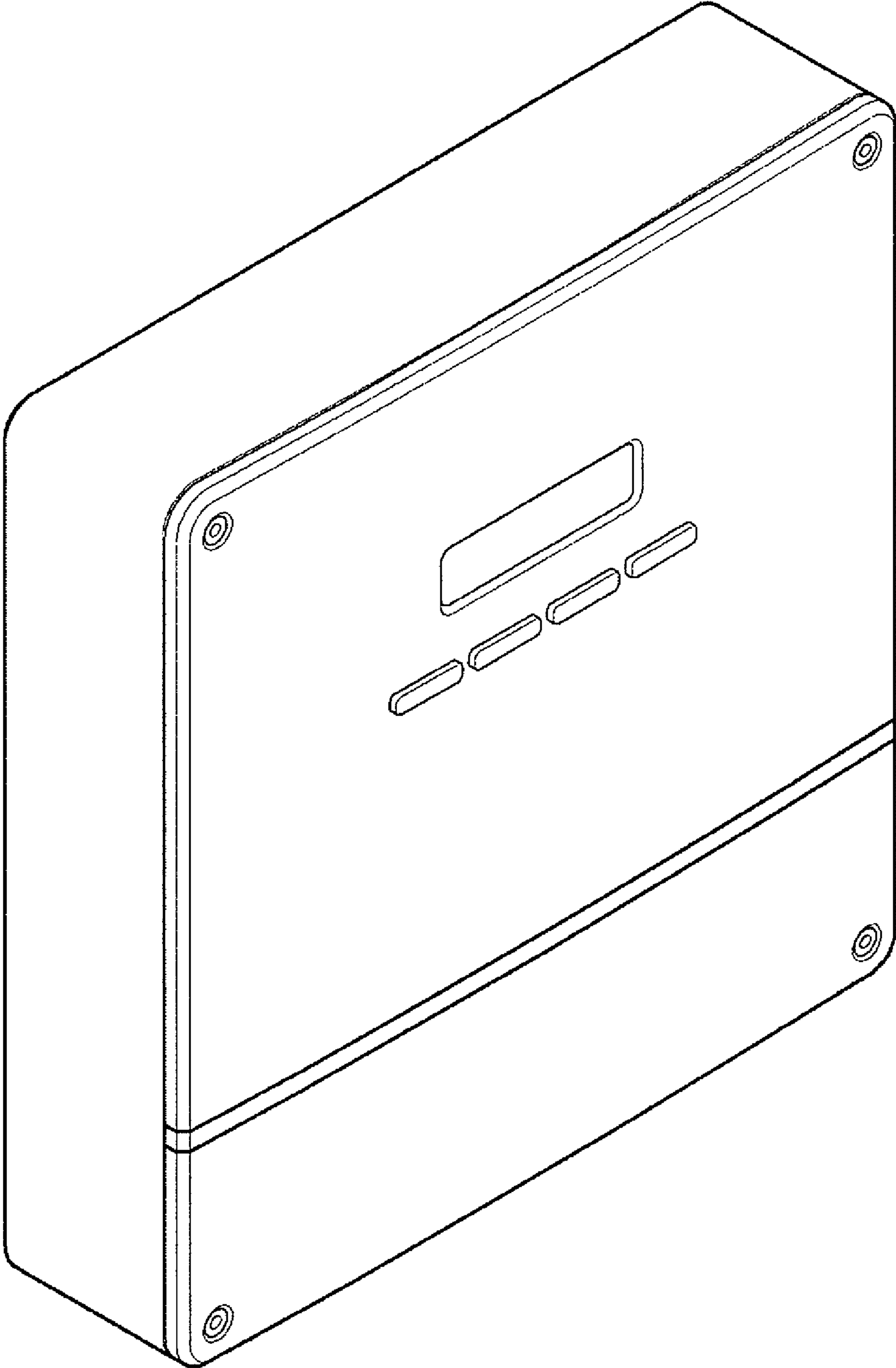


FIG. 2

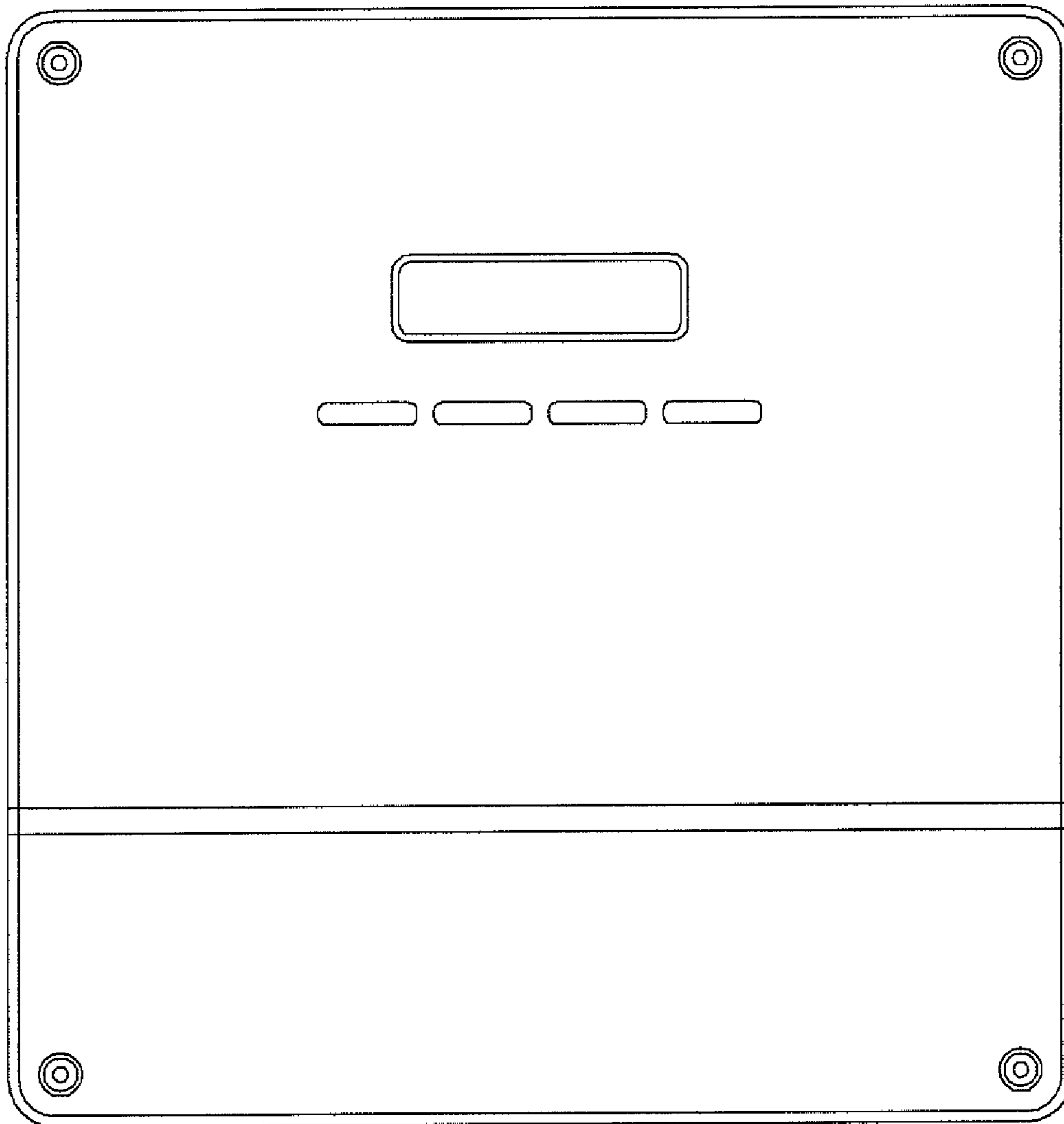


FIG. 3

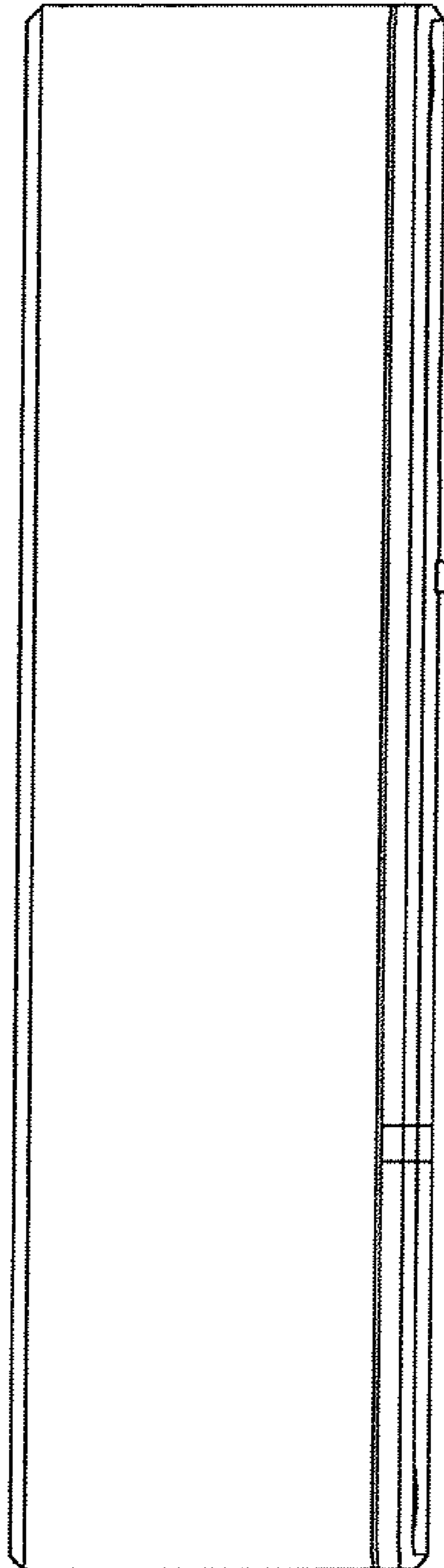


FIG. 4

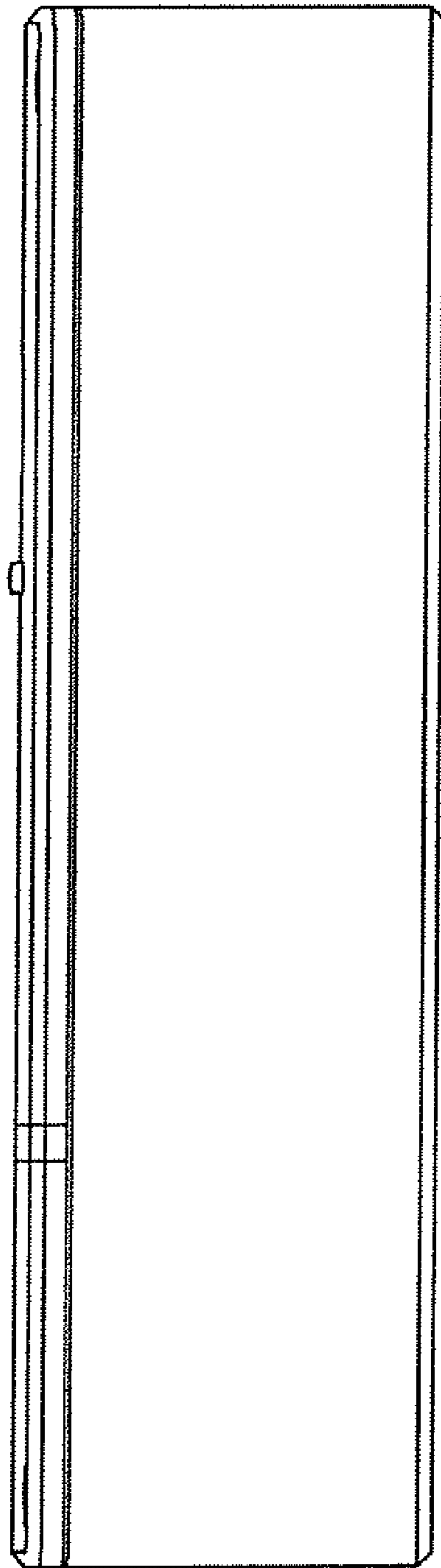


FIG. 5

