



US00D622620S

(12) **United States Design Patent**
Cloonan

(10) **Patent No.:** **US D622,620 S**

(45) **Date of Patent:** **** Aug. 31, 2010**

(54) **GAME SCORE KEEPER**

(76) Inventor: **Edward F. Cloonan**, 6576 Big Creek Pkwy., Parma Heights, OH (US) 44130

(**) Term: **14 Years**

(21) Appl. No.: **29/356,237**

(22) Filed: **Feb. 22, 2010**

(51) **LOC (9) Cl.** **21-01**

(52) **U.S. Cl.** **D10/46.1**

(58) **Field of Classification Search** D10/46,
D10/46.1; 116/222-225; 235/1 B, 1 C, 1 D,
235/90; 273/236, 459, DIG. 26, 148 B; 463/1,
463/46, 47

See application file for complete search history.

(56) **References Cited**

U.S. PATENT DOCUMENTS

286,588	A *	10/1883	Botelee	222/478
2,512,197	A	6/1950	Cusano		
D172,268	S *	5/1954	Craig	D10/46.1
2,694,943	A *	11/1954	Brumbaugh	74/473.1
4,185,583	A	1/1980	Stamm		
D285,539	S *	9/1986	Fudro	D10/46.1
D311,501	S *	10/1990	Defayette et al.	D10/46.1
5,025,748	A	6/1991	Pettis		
5,388,547	A *	2/1995	Lehr et al.	116/222
5,979,752	A *	11/1999	Holloway	235/90

D518,390	S	4/2006	Poffenberger		
D521,392	S *	5/2006	Christ et al.	D9/558
7,040,623	B2	5/2006	Poffenberger		
D596,961	S	7/2009	Moran et al.		
2009/0051133	A1	2/2009	Oshiro		

OTHER PUBLICATIONS

WWW.AMAZON.COM; Scoretower Combo Set For Cornhole; Internet; as of Feb. 19, 2010.

* cited by examiner

Primary Examiner—Prabhakar Deshmukh

(57) **CLAIM**

The ornamental design for a game score keeper, as shown and described.

DESCRIPTION

FIG. 1 is a top view of a game score keeper showing my new design;

FIG. 2 is a bottom view thereof;

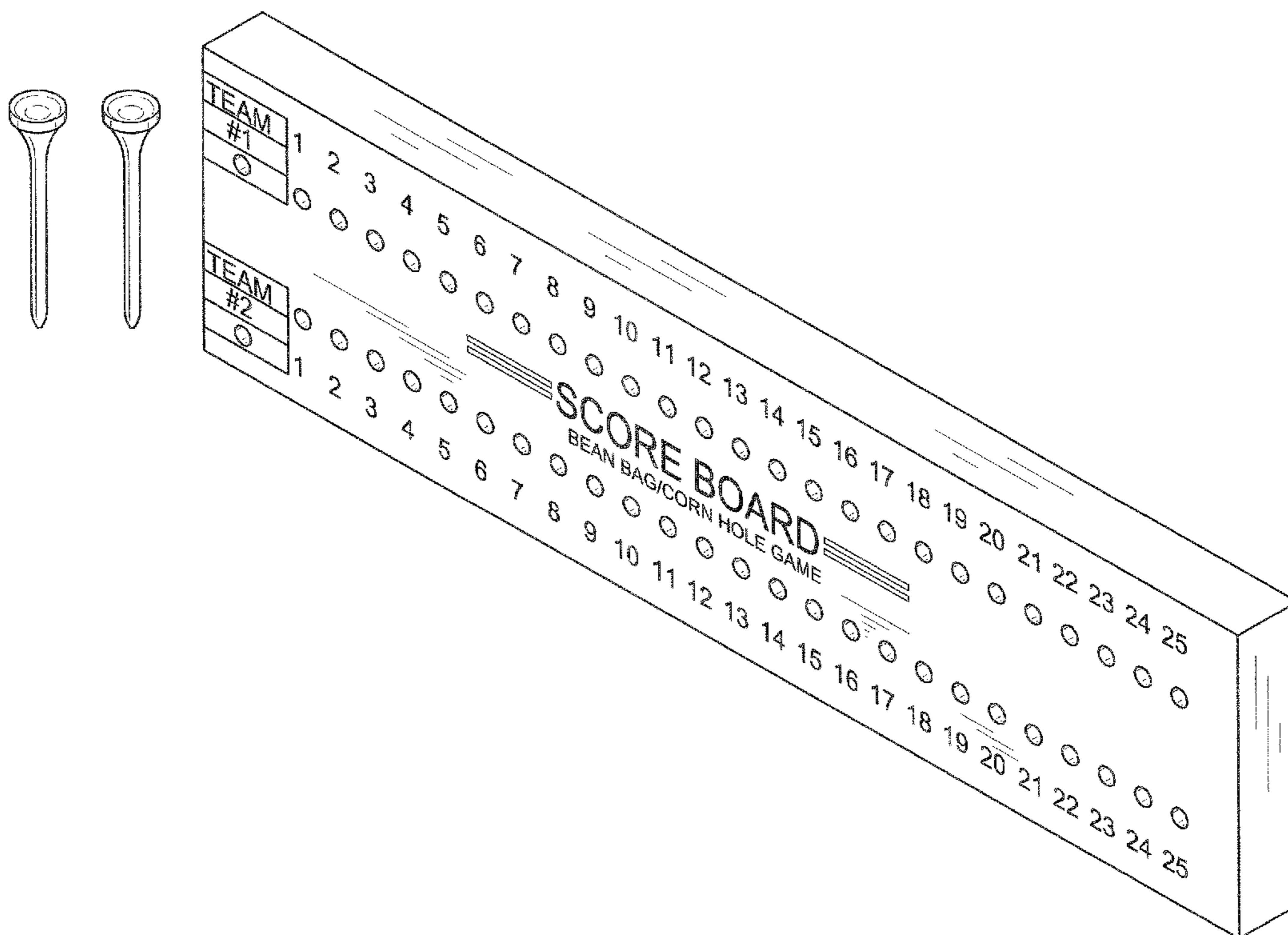
FIG. 3 is a side view (opposite side view is mirror image) thereof;

FIG. 4 is a top view thereof;

FIG. 5 is a bottom image view thereof; and,

FIG. 6 is a perspective view thereof.

1 Claim, 4 Drawing Sheets



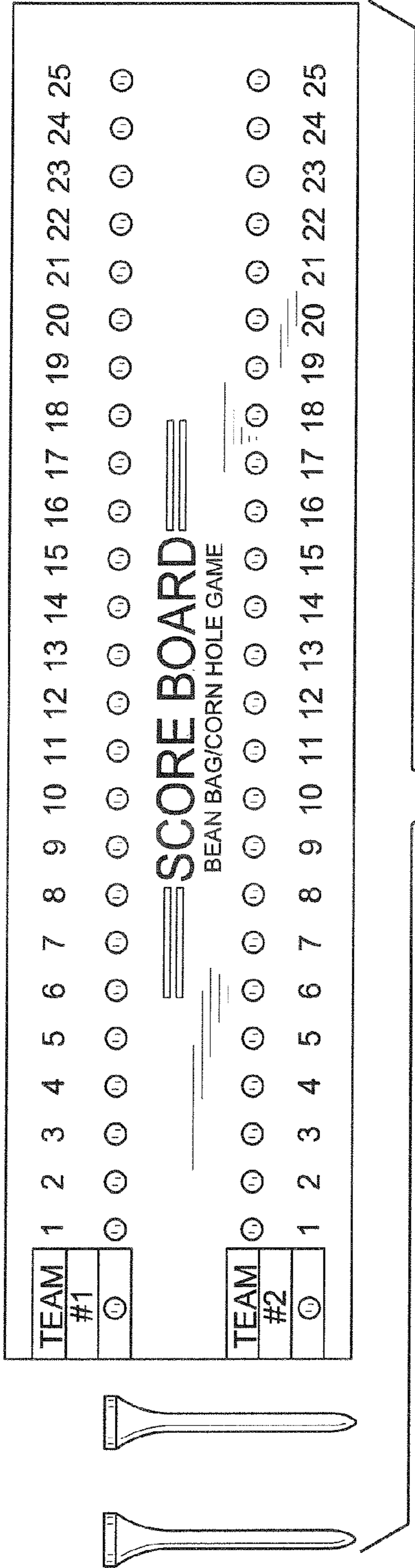


FIG. 1

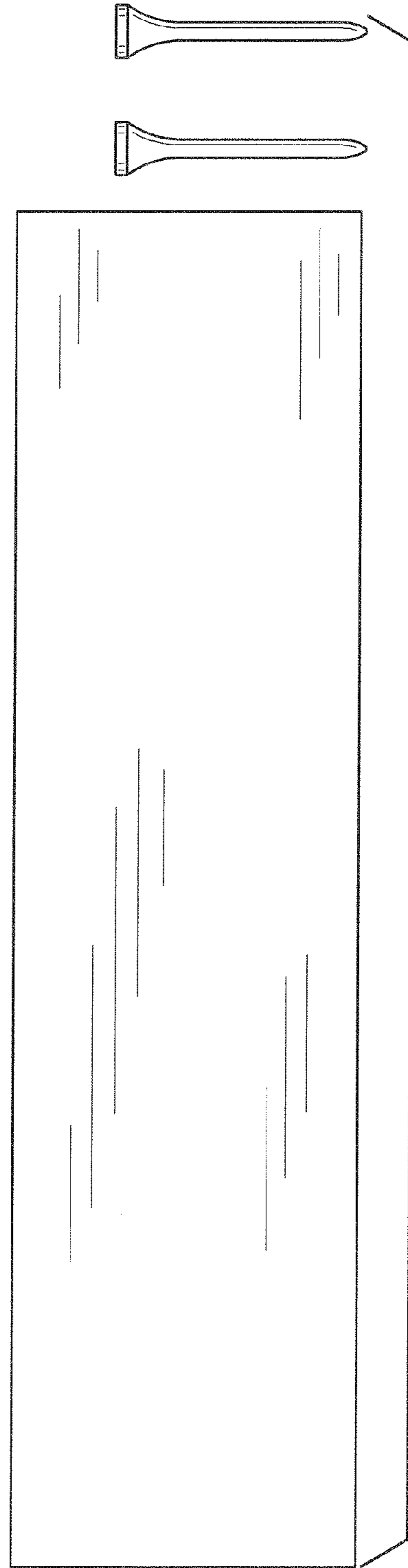


FIG. 2

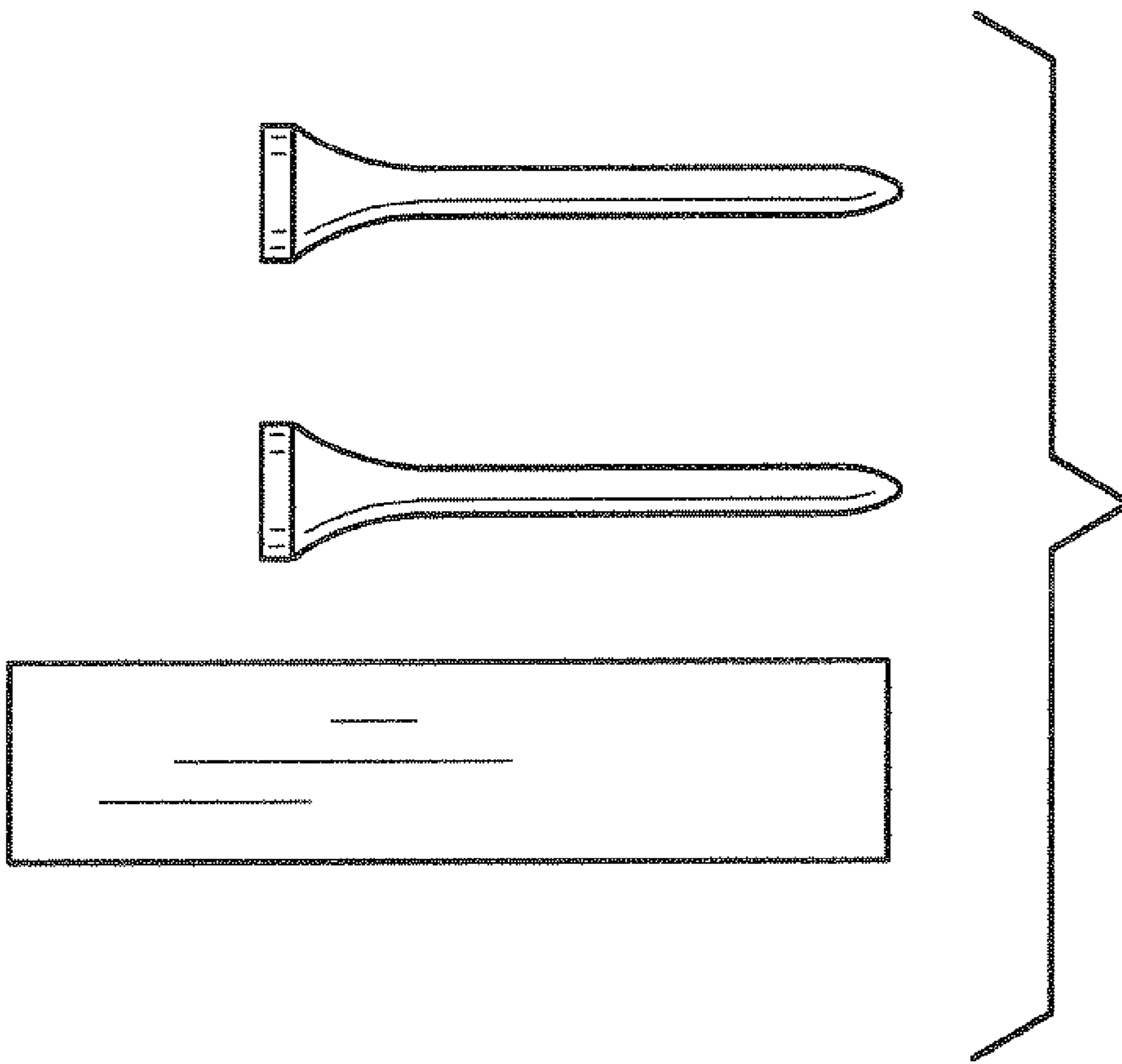


FIG. 3

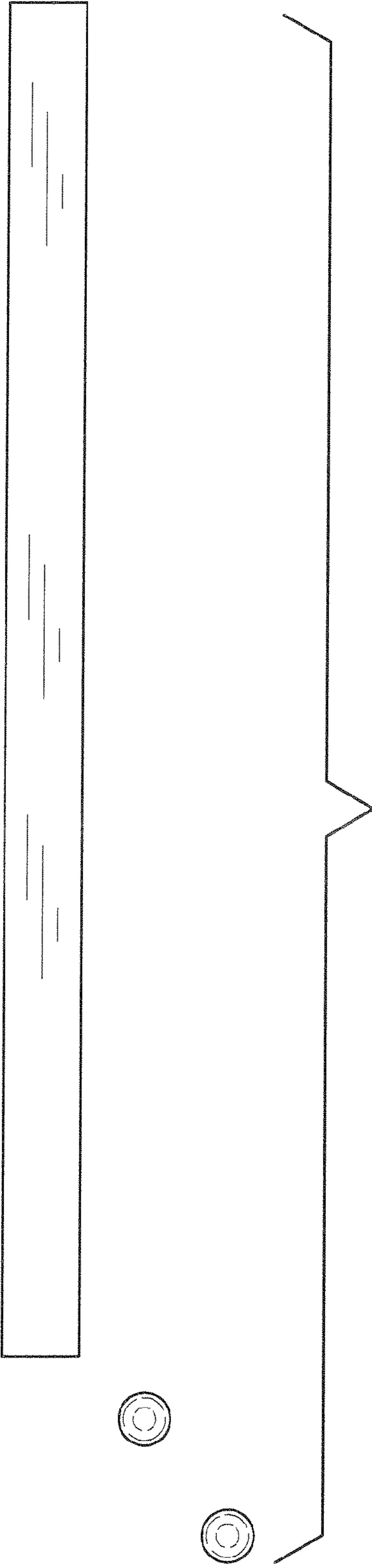


FIG. 4

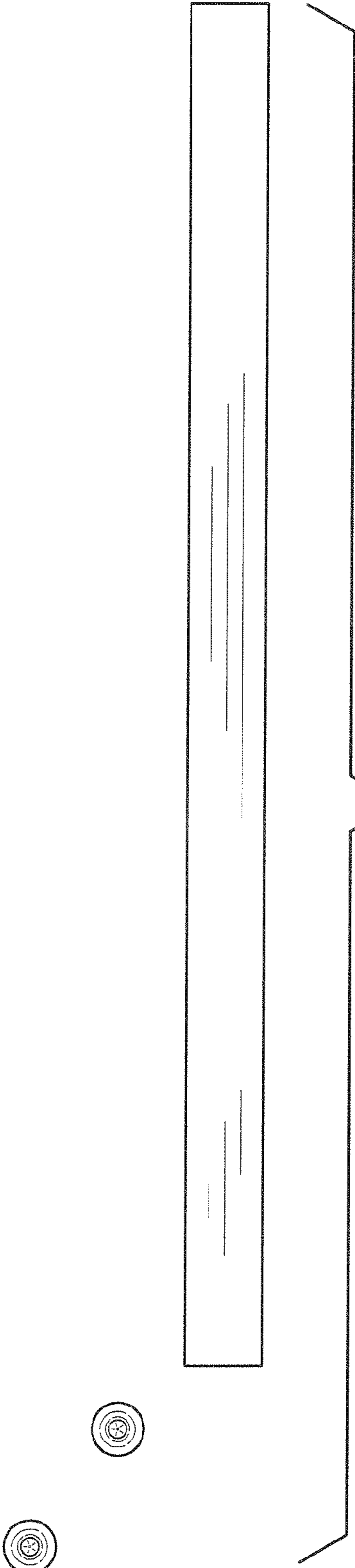


FIG. 5

