



US00D622619S

(12) **United States Design Patent**  
**Goodman**

(10) **Patent No.:** **US D622,619 S**  
(45) **Date of Patent:** **\*\* Aug. 31, 2010**

(54) **WATCH**

(75) Inventor: **Chris O. Goodman**, Ladera Ranch, CA (US)

(73) Assignee: **Oakley, Inc.**, Foothill Ranch, CA (US)

(\*\*) Term: **14 Years**

(21) Appl. No.: **29/349,764**

(22) Filed: **Apr. 30, 2010**

(51) **LOC (9) Cl.** ..... **10-02**

(52) **U.S. Cl.** ..... **D10/31**

(58) **Field of Classification Search** ..... D10/30–39,  
D10/122–132; 368/276, 277, 278, 283, 285,  
368/286–290, 308

See application file for complete search history.

D392,902 S	3/1998	Mouawad	
5,828,541 A *	10/1998	Wu	368/278
D402,104 S *	12/1998	Kauker et al.	D3/215
D431,475 S	10/2000	Rabassa	
D438,813 S	3/2001	Yellen	
D445,039 S *	7/2001	Finkay	D10/31
D448,653 S *	10/2001	Kauker	D8/367
D455,355 S *	4/2002	Chan	D10/31
D474,980 S *	5/2003	Finkay	D10/31
D478,011 S *	8/2003	Cooper	D10/31
D481,967 S *	11/2003	Cohen	D10/132
D494,071 S *	8/2004	Falkenstein et al.	D10/39
D505,337 S *	5/2005	Cooper	D10/2
D519,854 S	5/2006	Modolo	
D539,169 S *	3/2007	Falkenstein et al.	D10/31
D556,604 S	12/2007	Yee et al.	
D557,619 S	12/2007	Moritz	
D569,274 S *	5/2008	Cooper	D10/37
D569,741 S *	5/2008	Satou et al.	D10/39
D574,263 S *	8/2008	Loth	D10/38

(56) **References Cited**

U.S. PATENT DOCUMENTS

843,050 A *	2/1907	Wallerstedt	224/236
D50,558 S *	4/1917	Levi	D10/132
D51,182 S *	8/1917	Lederer	D10/132
D51,298 S *	9/1917	Brown	D10/132
1,657,559 A *	1/1928	Taylor	368/288
2,143,703 A	12/1937	Kestenman	
D136,341 S *	9/1943	Dupin	D11/86
D224,602 S	8/1972	Poon	
D246,830 S	1/1978	Lossini	
D247,103 S	1/1978	Lossini	
D279,172 S *	6/1985	Hysek	D10/32
D284,745 S *	7/1986	Minkowitz	D10/38
D294,683 S	3/1988	Perrin	
D294,806 S	3/1988	Perrin	
D295,841 S *	5/1988	Kano	D10/39
D296,994 S *	8/1988	Lauper	D10/39
D301,986 S *	7/1989	Hysek	D10/32
D314,710 S *	2/1991	Weil	D10/32
D315,514 S *	3/1991	Weil	D10/32
D316,050 S *	4/1991	Weil	D10/32
D318,237 S *	7/1991	Hysek	D10/32
5,540,367 A *	7/1996	Kauker	224/269
D378,062 S *	2/1997	Bulgari	D10/32
D383,083 S	9/1997	Ludvig	

(Continued)

*Primary Examiner*—Lucy Lieberman

(74) *Attorney, Agent, or Firm*—Gregory K. Nelson

(57) **CLAIM**

The ornamental design for a watch, as shown and described.

**DESCRIPTION**

FIG. 1 is a front perspective view of the watch of the present invention;

FIG. 2 is a front elevational view thereof;

FIG. 3 is a rear elevational view thereof;

FIG. 4 is a left-side elevational view thereof;

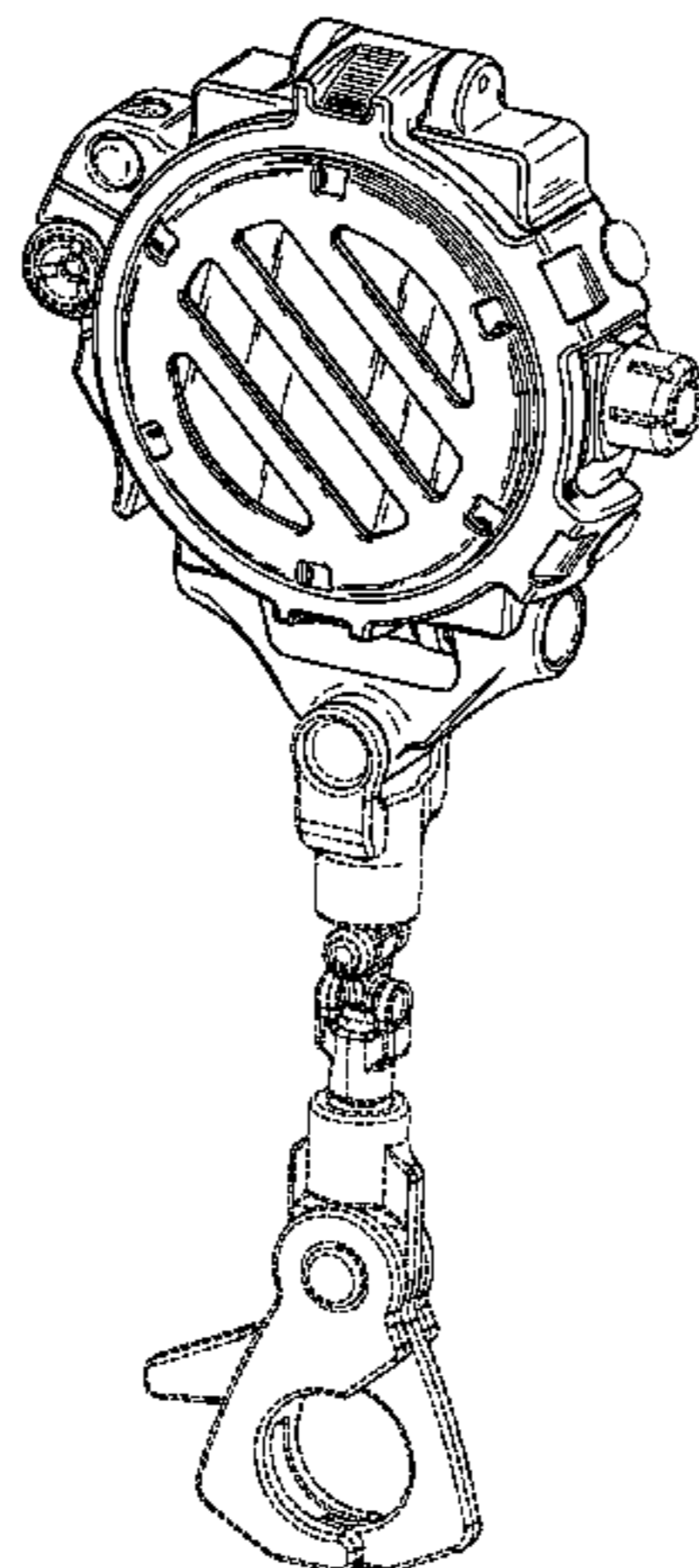
FIG. 5 is a right-side elevational view thereof;

FIG. 6 is a top plan view thereof; and,

FIG. 7 is a bottom plan view thereof.

The broken lines in the drawings are used to show portions of the watch that do not form part of the claimed design.

**1 Claim, 4 Drawing Sheets**



# US D622,619 S

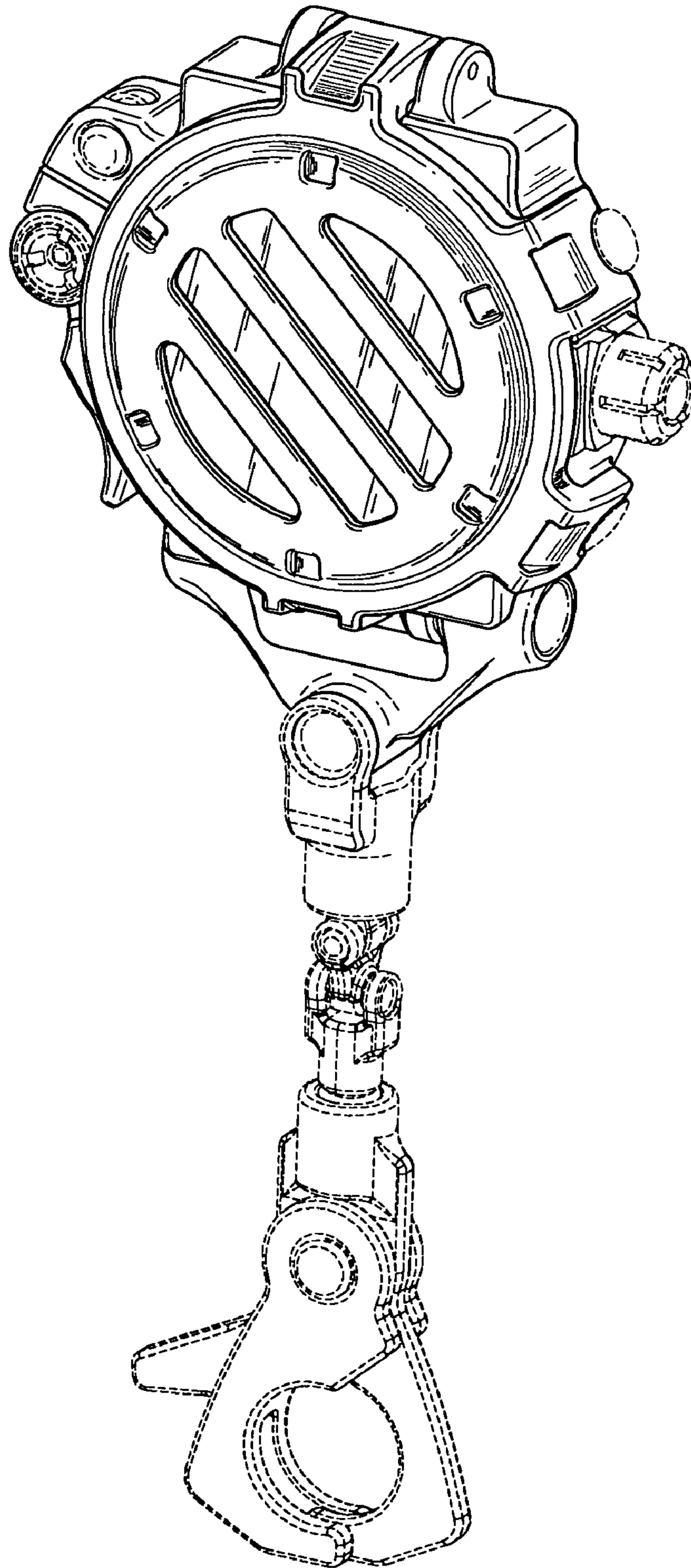
Page 2

---

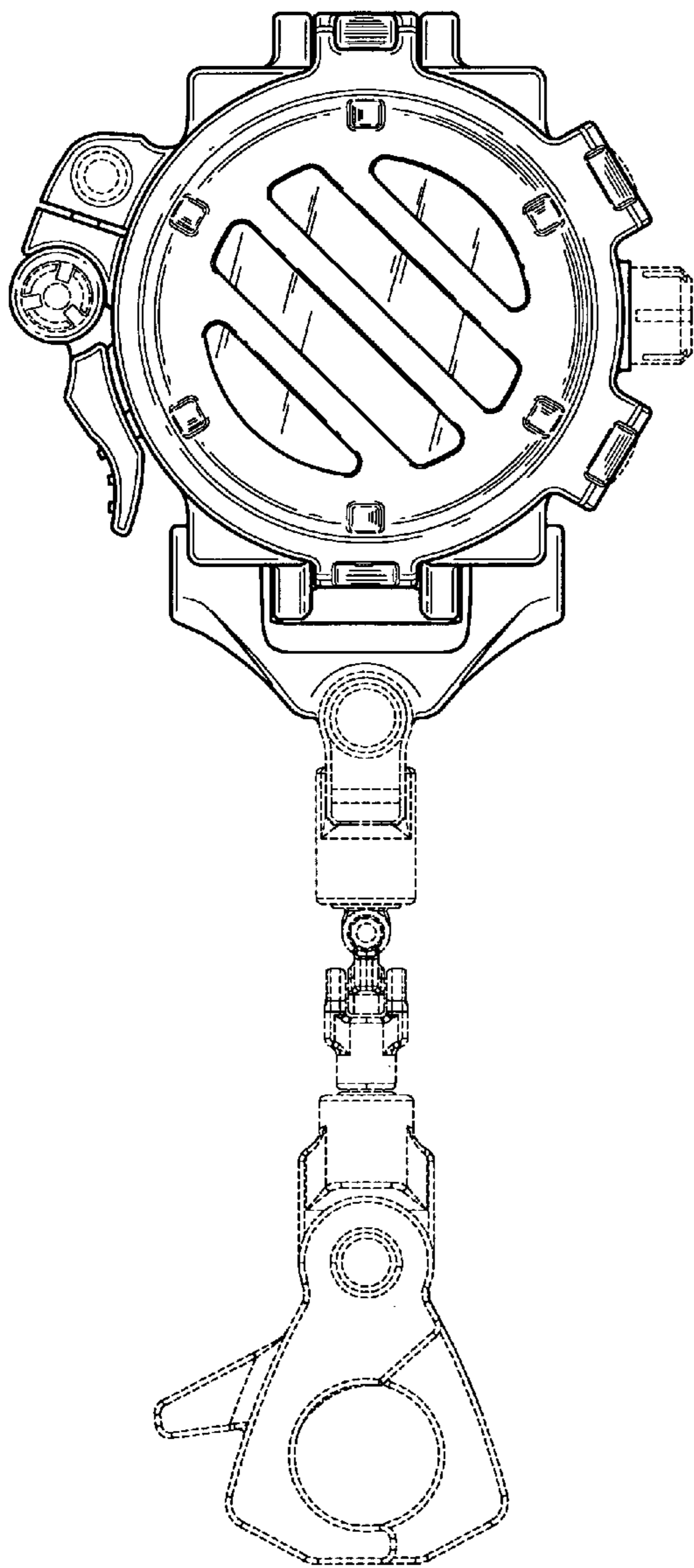
## U.S. PATENT DOCUMENTS

D574,692 S *	8/2008	Cooper .....	D8/105	D610,473 S *	2/2010	Goodman .....	D10/38
D579,790 S	11/2008	Yee et al.		2005/0111308 A1 *	5/2005	Hosey .....	368/317

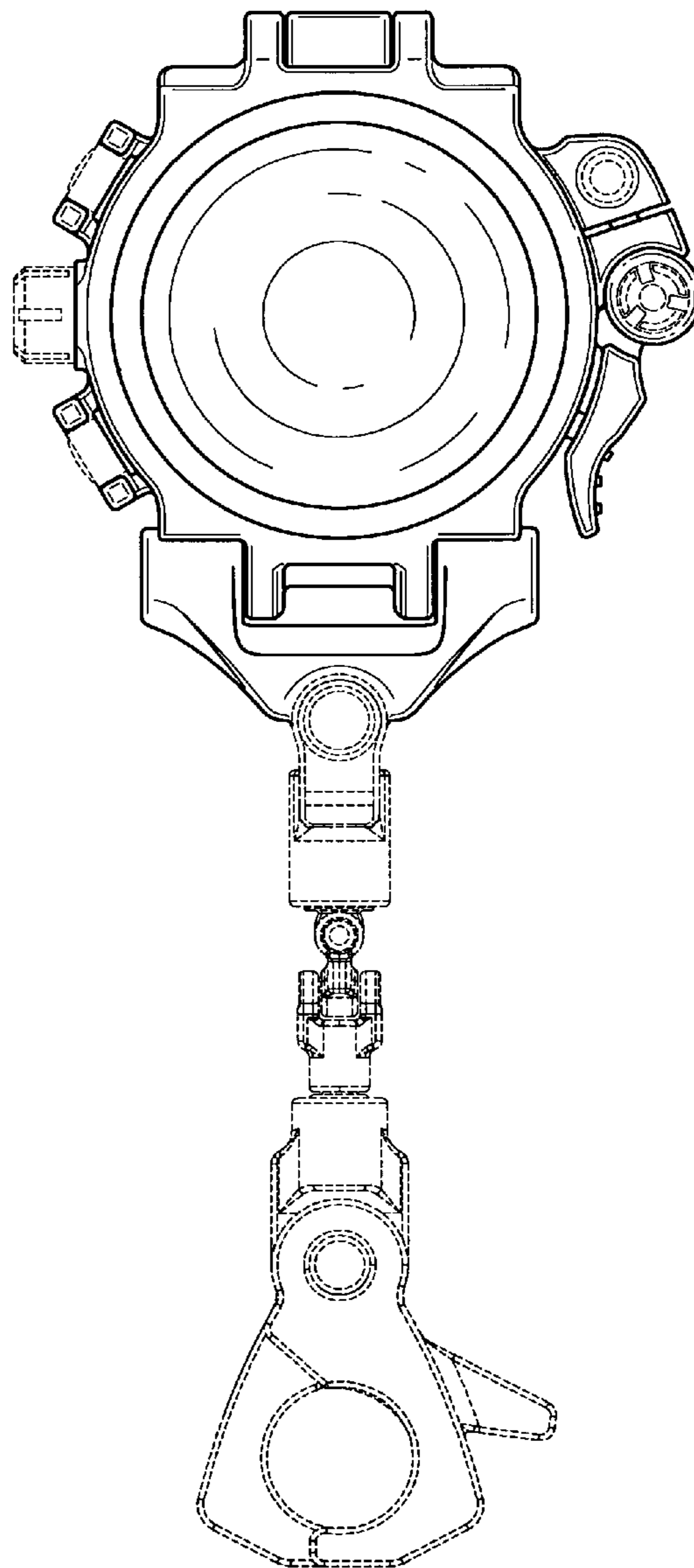
\* cited by examiner



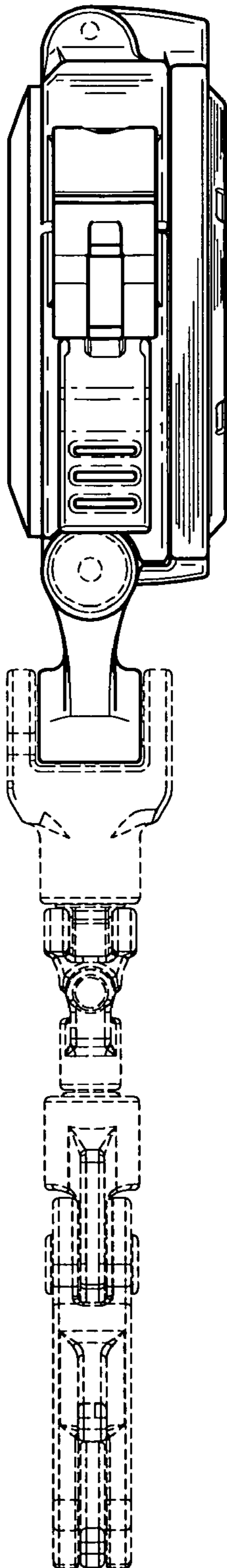
**FIG. 1**



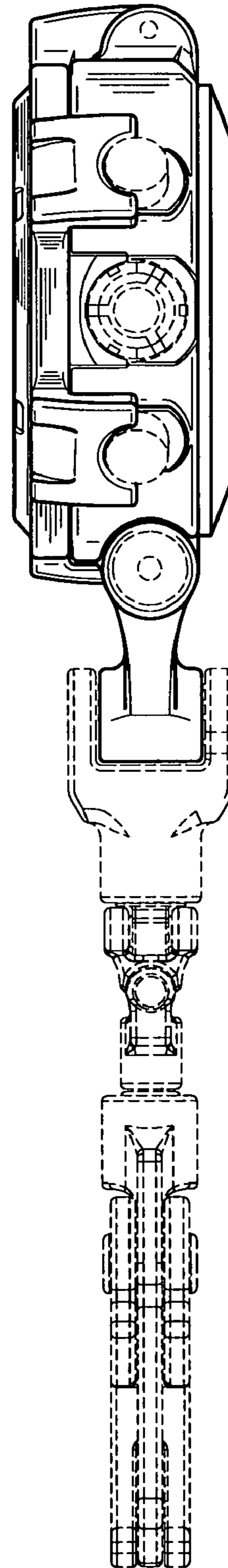
**FIG. 2**



**FIG. 3**

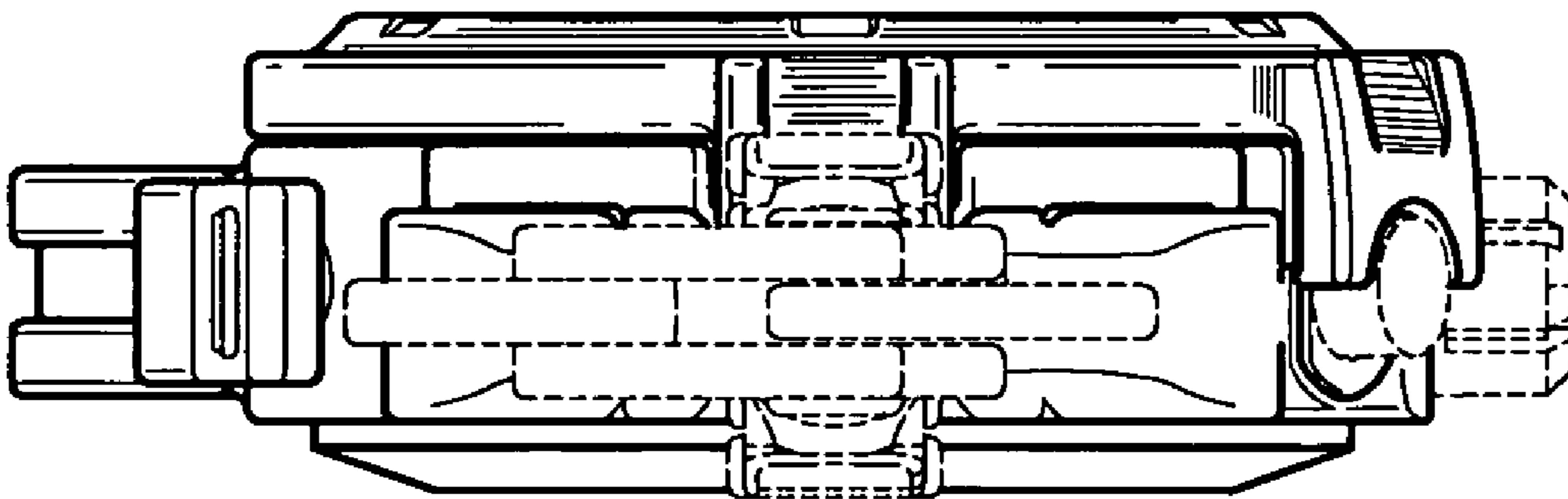
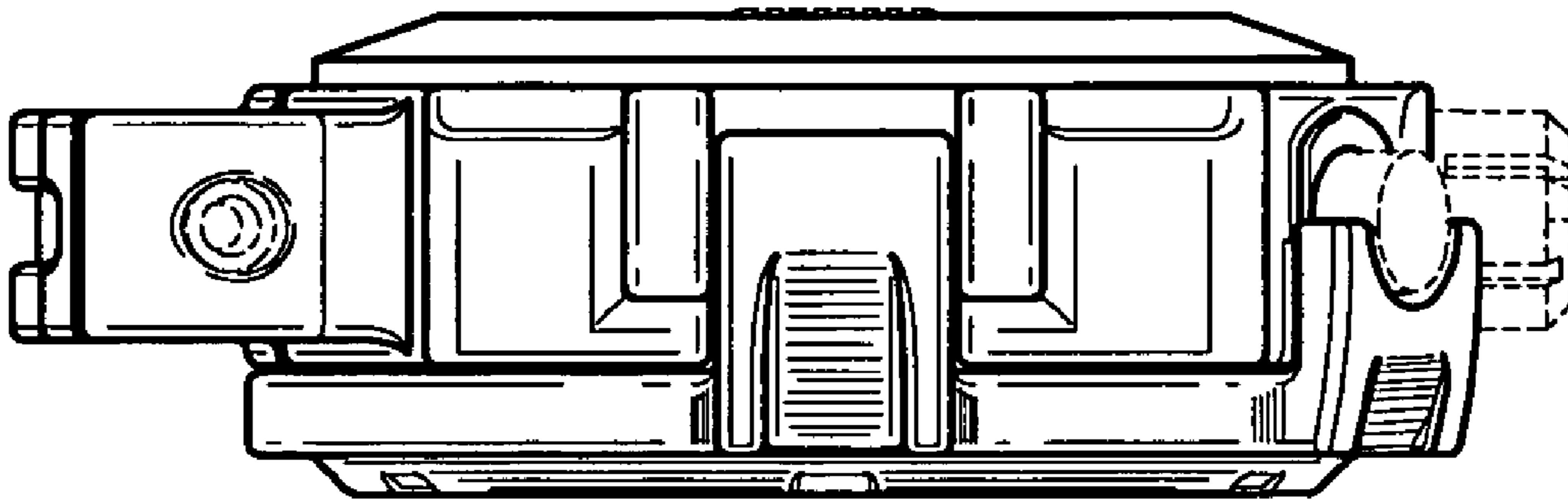


**FIG. 4**



**FIG. 5**

***FIG. 6***



***FIG. 7***