



US00D622616S

(12) **United States Design Patent**  
**Thao et al.**

(10) **Patent No.:** **US D622,616 S**

(45) **Date of Patent:** **\*\* Aug. 31, 2010**

(54) **SMALL ITEM DISPENSER**

(75) Inventors: **Fusu Thao**, St. Paul, MN (US); **Thomas E. Kramer**, Coon Rapids, MN (US); **Dustin C. Rgnonti**, Farmington, MN (US); **Alan Webb**, Prior Lake, MN (US)

(73) Assignee: **Webb Candy, Inc.**, Rosemount, MN (US)

(\*\*) Term: **14 Years**

(21) Appl. No.: **29/291,616**

(22) Filed: **Jun. 8, 2007**

(51) **LOC (9) Cl.** ..... **09-01**

(52) **U.S. Cl.** ..... **D9/730**

(58) **Field of Classification Search** ..... D9/500,  
D9/529, 531, 552, 730, 731, 733, 734; D7/601,  
D7/602, 603, 612; 220/23.83, 660, 662,  
220/669-675; D27/190

See application file for complete search history.

(56) **References Cited**

**U.S. PATENT DOCUMENTS**

D254,180 S \* 2/1980 Morin ..... D7/612  
D285,657 S \* 9/1986 Poore ..... D9/734  
D332,396 S \* 1/1993 Bell ..... D9/731  
D412,373 S \* 7/1999 Krawec et al. .... D27/190

D482,272 S \* 11/2003 Sokolsky et al. .... D9/731  
D531,041 S \* 10/2006 Sauer et al. .... D9/529  
D588,011 S \* 3/2009 Shimizu ..... D9/552  
D592,510 S \* 5/2009 Dell'Orto ..... D9/500

\* cited by examiner

*Primary Examiner*—Shanda C Hill

(74) *Attorney, Agent, or Firm*—Merchant & Gould P.C.

(57) **CLAIM**

The ornamental design for a small item dispenser, as shown and described.

**DESCRIPTION**

FIG. 1 is a top perspective view of a small item dispenser showing our new design;

FIG. 2 is a front elevational view thereof;

FIG. 3 is a rear elevational view thereof;

FIG. 4 is a right side elevational view thereof;

FIG. 5 is a left side elevational view thereof;

FIG. 6 is a top plan view thereof; and,

FIG. 7 is a bottom plan view thereof.

The broken lines shown in the drawing disclosure are for illustrative purposes only and form no part of the claimed design.

**1 Claim, 7 Drawing Sheets**

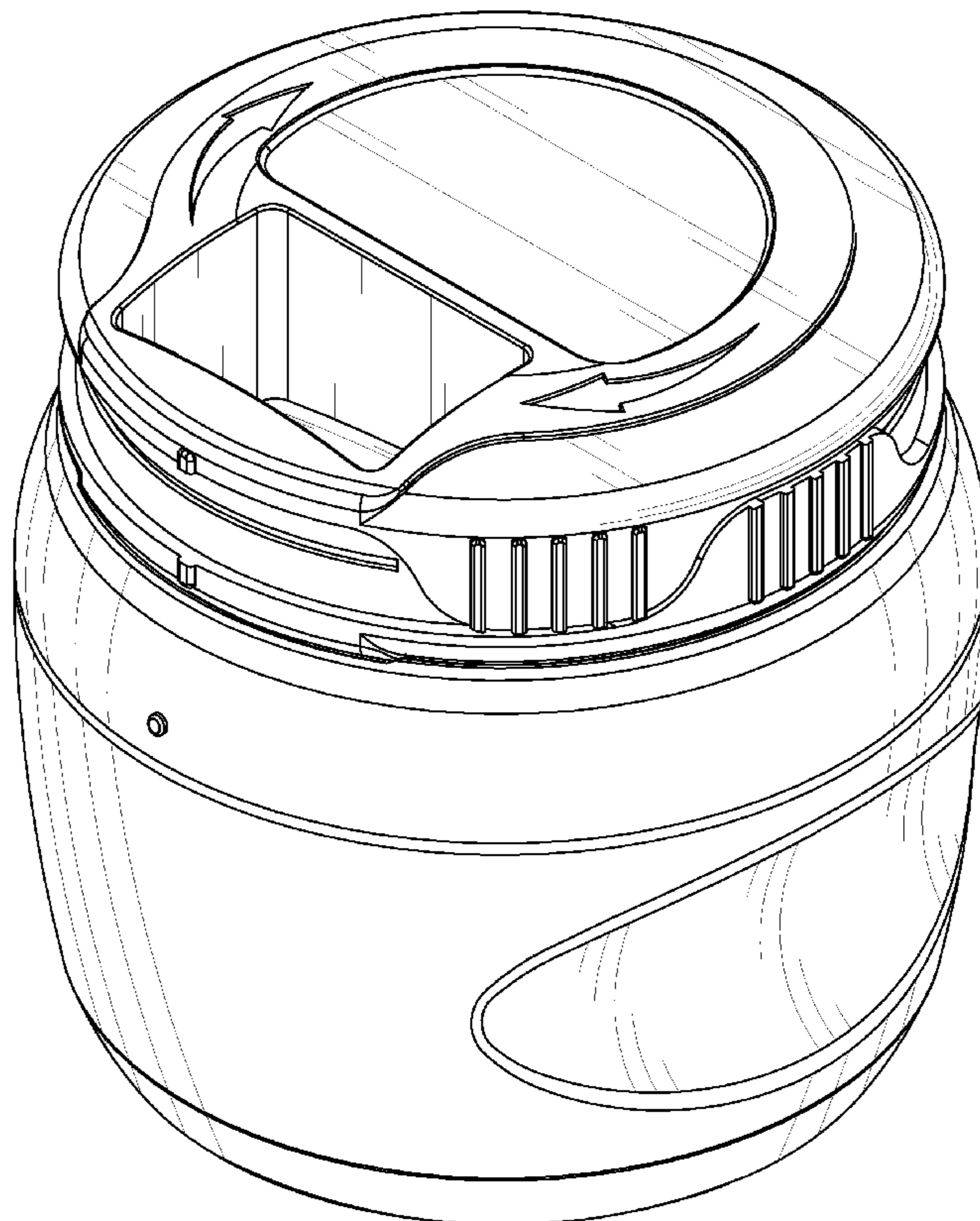


FIG. 1

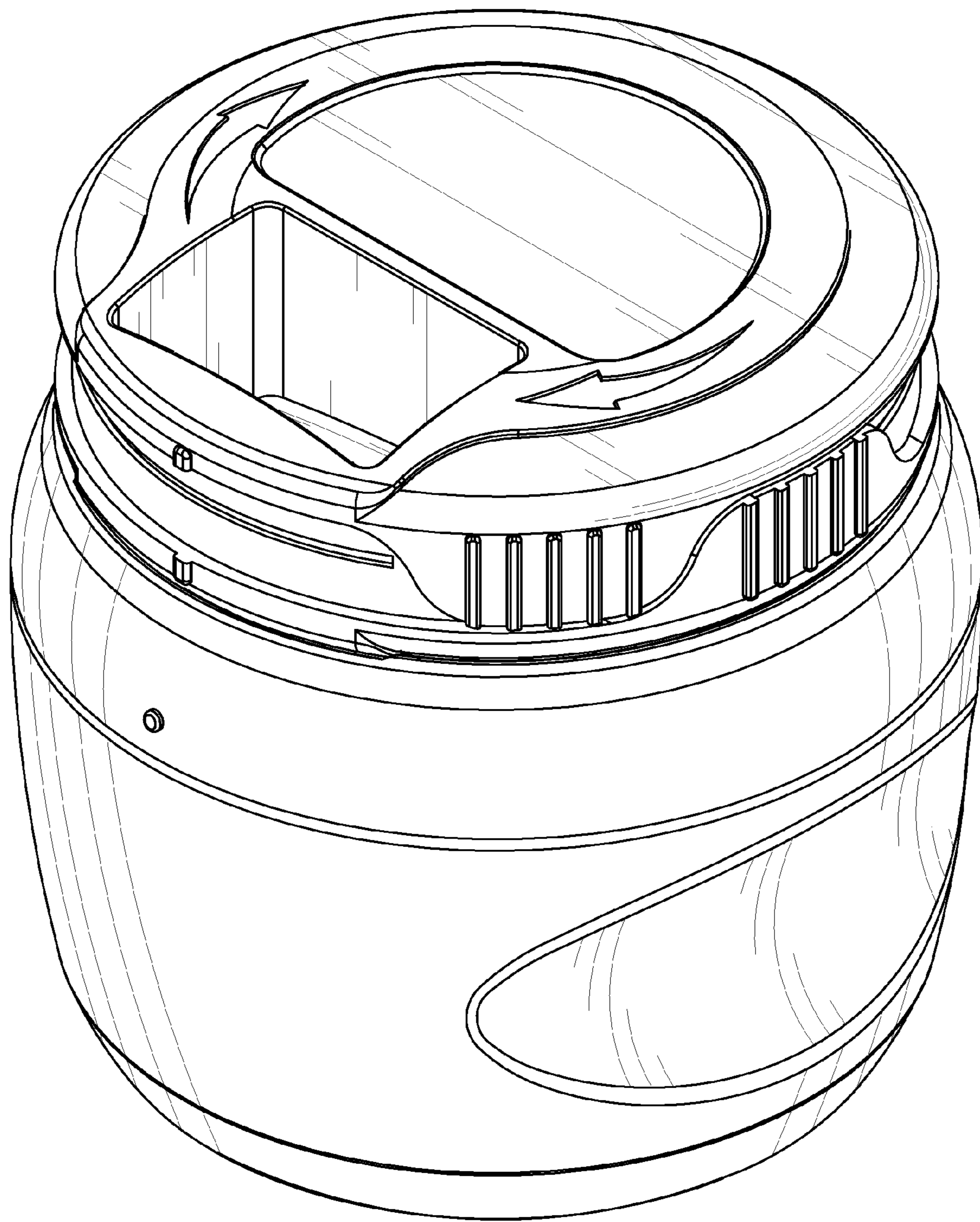


FIG. 2

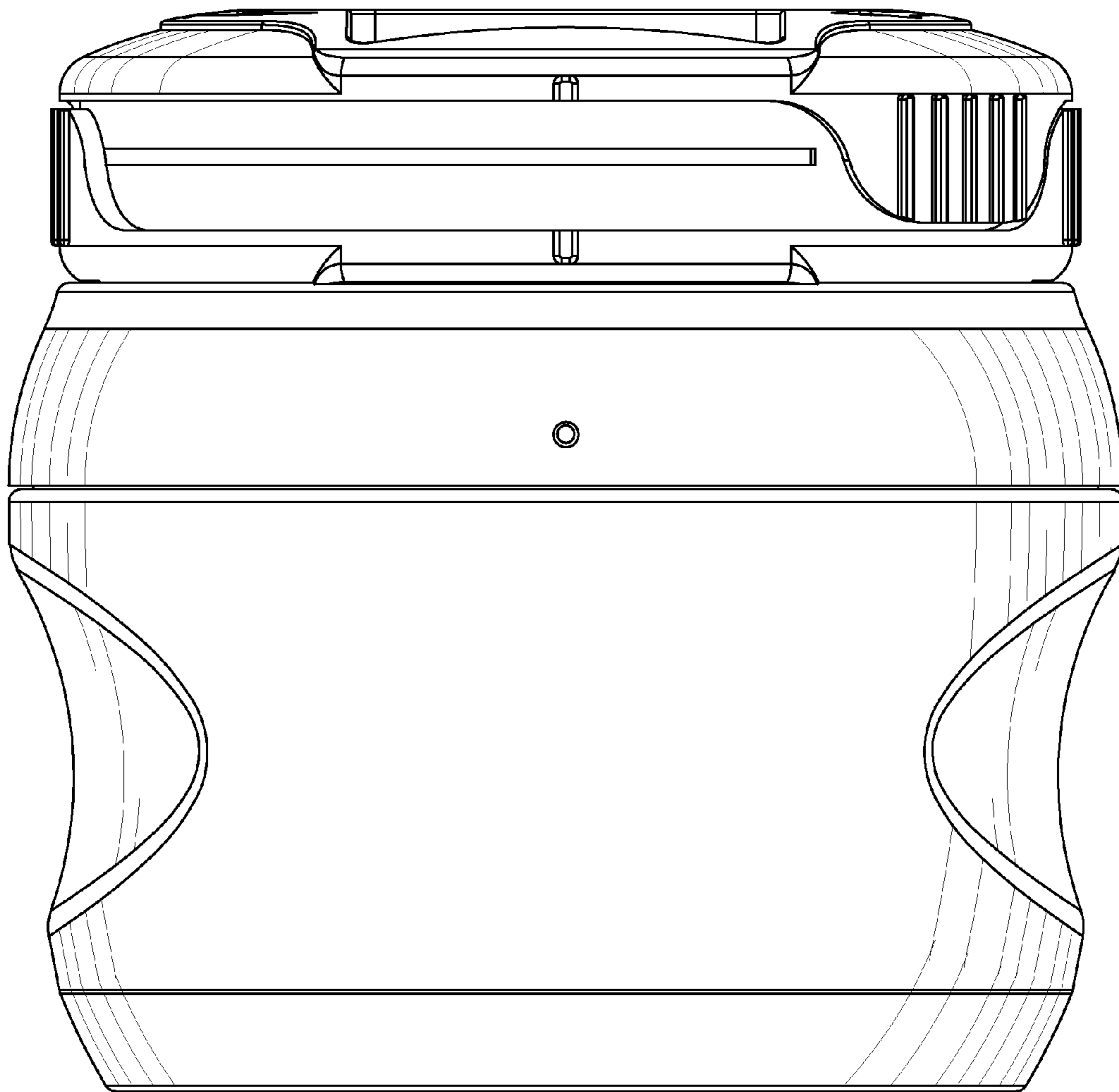


FIG.3

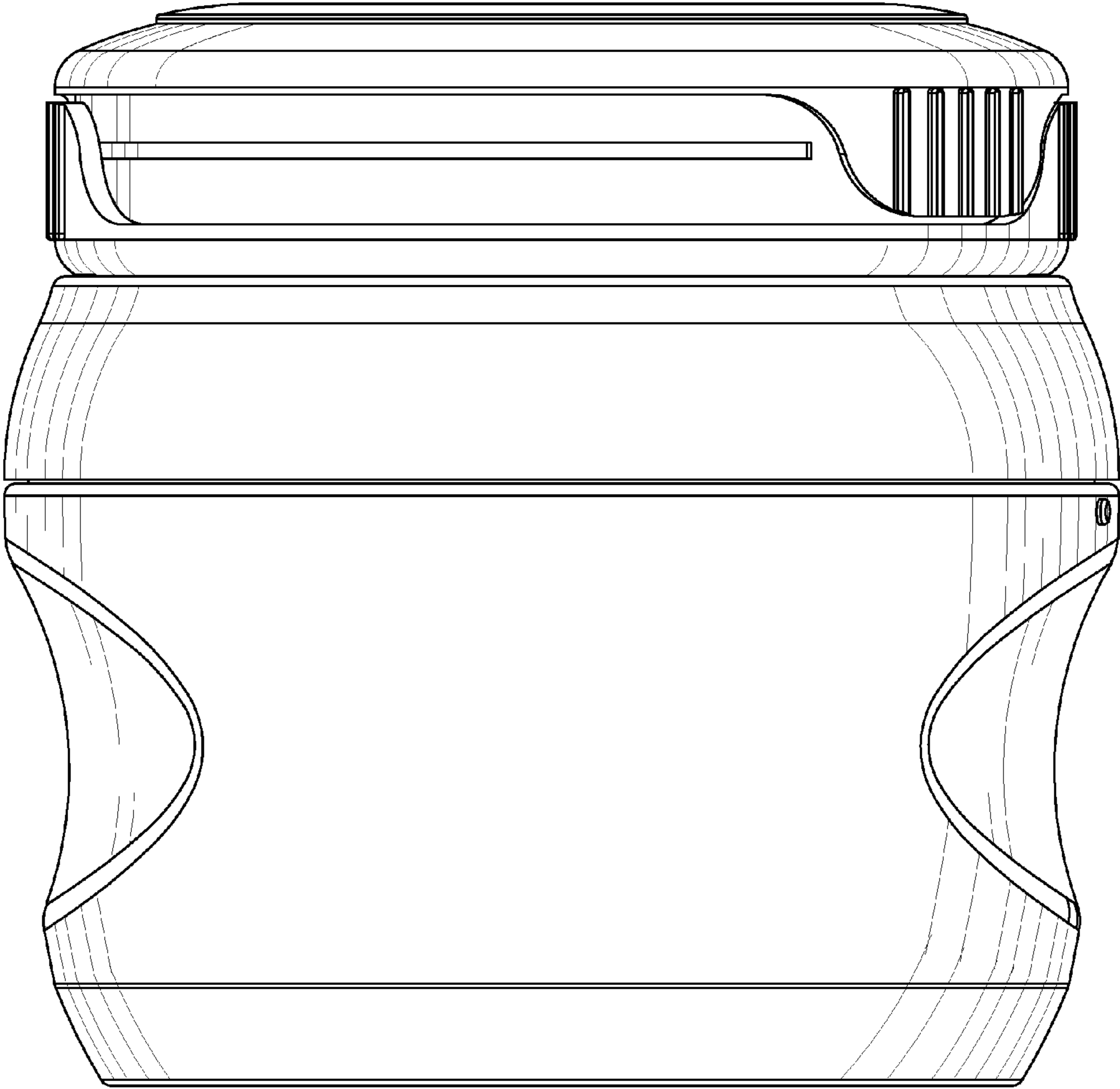


FIG. 4

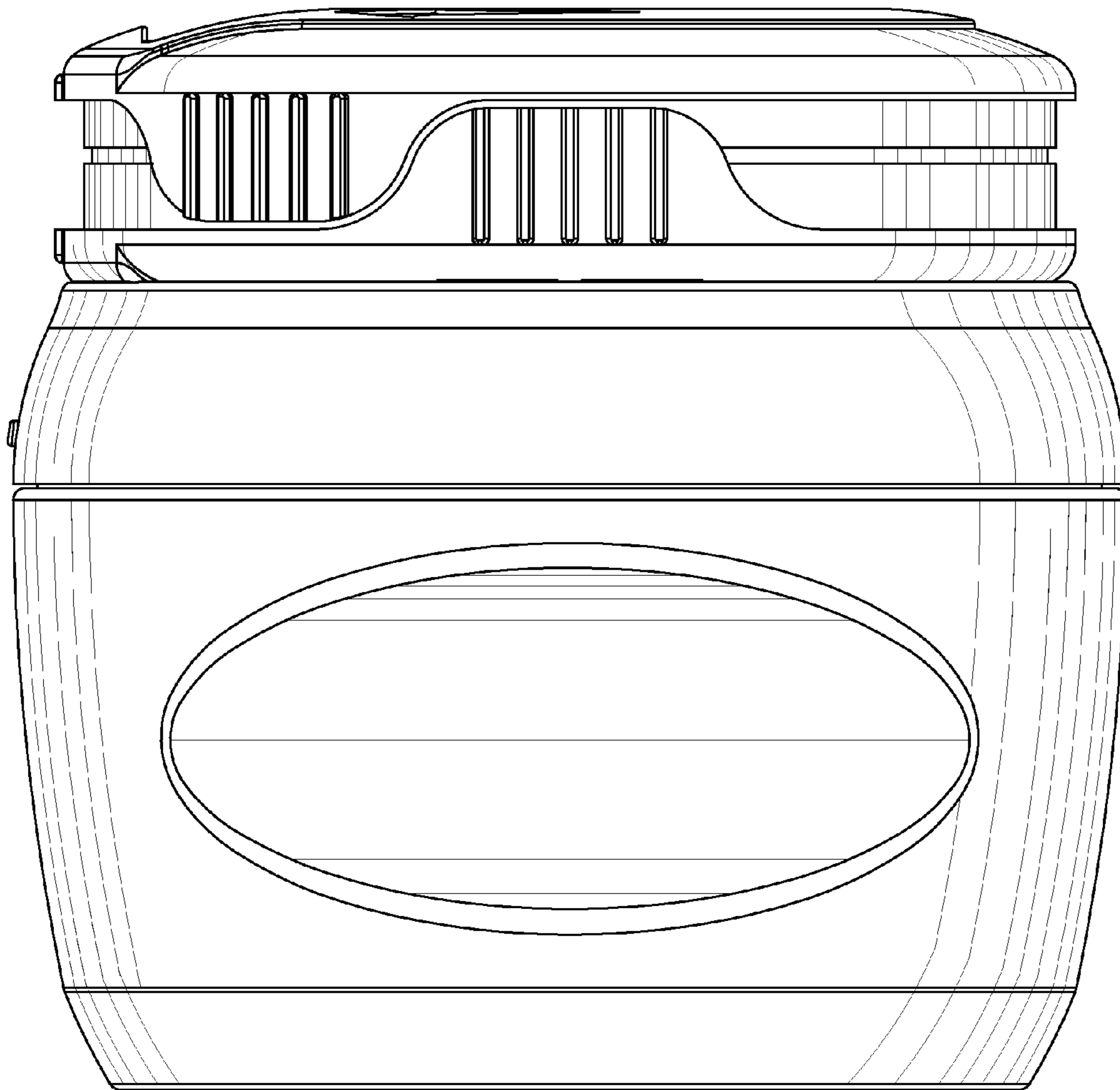




FIG. 5

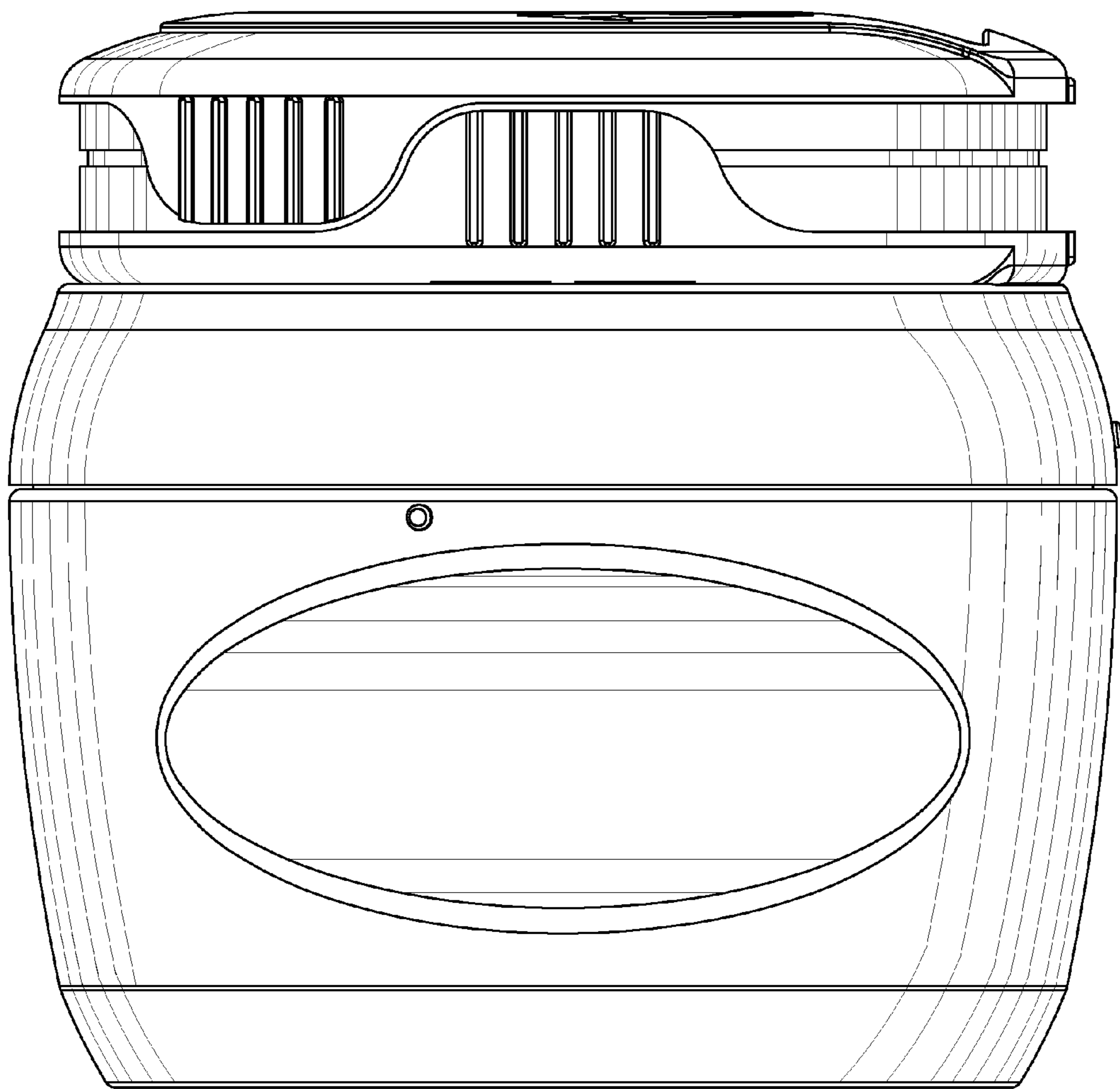


FIG. 6

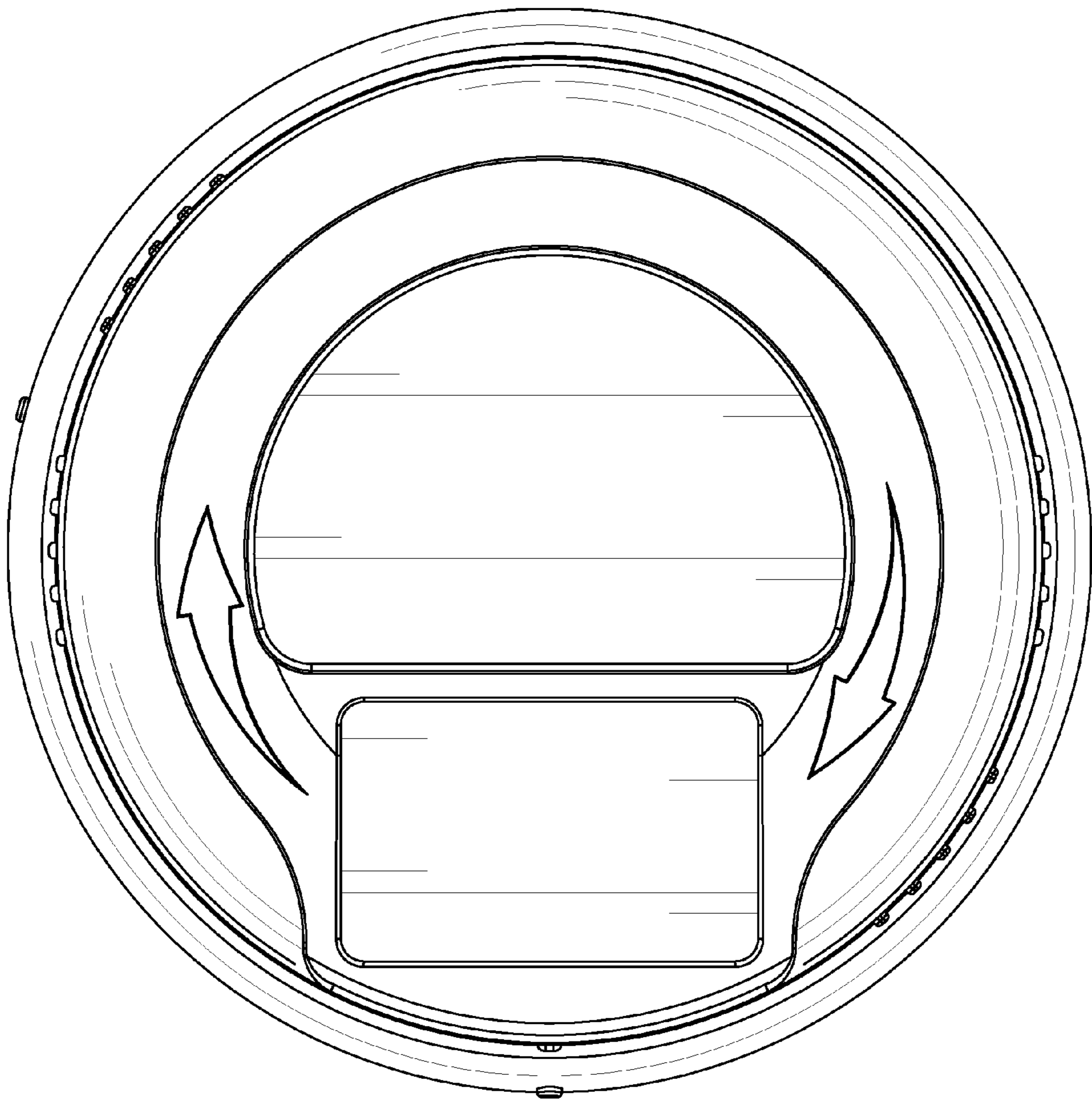


FIG. 7

