



US00D622614S

(12) **United States Design Patent**
DeMarco

(10) **Patent No.:** **US D622,614 S**

(45) **Date of Patent:** **** Aug. 31, 2010**

(54) **CONTAINER**

(75) Inventor: **Jenny DeMarco**, Plano, TX (US)

(73) Assignee: **Mary Kay Inc.**, Dallas, TX (US)

(**) Term: **14 Years**

(21) Appl. No.: **29/352,060**

(22) Filed: **Dec. 15, 2009**

(51) **LOC (9) Cl.** **09-01**

(52) **U.S. Cl.** **D9/691**

(58) **Field of Classification Search** D9/682–694,
D9/500–505, 516–575, 434–454; D28/5,
D28/76, 77, 91.1; 215/379, 382, 272, 316–354;
220/376, 377, 602, 662, 665, 669, 915; 222/153.1,
222/153.13, 153.14, 182, 209–211, 215,
222/321.7–321.9, 372, 373, 378, 379, 383.1,
222/384–386, 398, 400.7, 400.8, 401, 402.1–402.25
See application file for complete search history.

(56) **References Cited**

U.S. PATENT DOCUMENTS

D69,486 S *	2/1926	Braun	D9/545
D91,419 S *	1/1934	Brown	D28/91.1
D129,662 S *	9/1941	Vuilleminot	D28/91.1
2,917,766 A *	12/1959	Ciffo	206/15.2
D212,525 S *	10/1968	Kneapler	D9/500
D253,455 S *	11/1979	Beene	D9/505
4,889,286 A	12/1989	Spector	239/47
D306,401 S	3/1990	Durand	D9/544
D311,492 S	10/1990	Pearse	D9/544
D311,867 S	11/1990	Kingsbury	D9/600
D313,346 S	1/1991	Fiore	D9/530
D313,748 S	1/1991	Dinand	D9/574
D314,332 S	2/1991	Sgariboldi	D9/544
D314,511 S	2/1991	Dinand	D9/571
D315,097 S	3/1991	Sgariboldi	D9/567
D315,300 S	3/1991	Dinand	D9/574
D315,501 S	3/1991	Durand	D9/564
D315,502 S	3/1991	Durand	D9/575
D315,679 S	3/1991	Durand	D9/566
D316,223 S	4/1991	Dinand	D9/548

D317,258 S	6/1991	Dinand	D9/545
D319,184 S	8/1991	Monod	D9/523
D320,550 S	10/1991	Arturo	D9/504
D322,566 S	12/1991	Durand	D9/565
D323,458 S	1/1992	Dinand	D9/572
D323,459 S	1/1992	Cassini	D9/670
D325,346 S	4/1992	Aliano et al.	D9/544
D325,698 S	4/1992	Cavazza	D9/544
D329,383 S	9/1992	Boucheron	D9/529
D329,596 S	9/1992	Dinand	D9/544
D331,366 S	12/1992	Cassini	D9/670
D338,157 S	8/1993	Desgrippes	D9/663
D338,833 S	8/1993	Dinand	D9/516
D340,191 S	10/1993	Boussiquet	D9/546
D341,321 S	11/1993	De Silva	D9/519
D342,903 S	1/1994	Ricci	D9/545
D355,124 S	2/1995	Ricci	D9/503
D355,602 S	2/1995	Buettner et al.	D9/505

(Continued)

FOREIGN PATENT DOCUMENTS

CN 300815095 * 8/2008

(Continued)

Primary Examiner—Catherine Tuttle

(74) *Attorney, Agent, or Firm*—Fulbright & Jaworski L.L.P.

(57) **CLAIM**

The ornamental design for the container, as shown and described.

DESCRIPTION

FIG. 1 is a top perspective view of the container showing my new design;

FIG. 2 is a front view thereof;

FIG. 3 is a back view thereof;

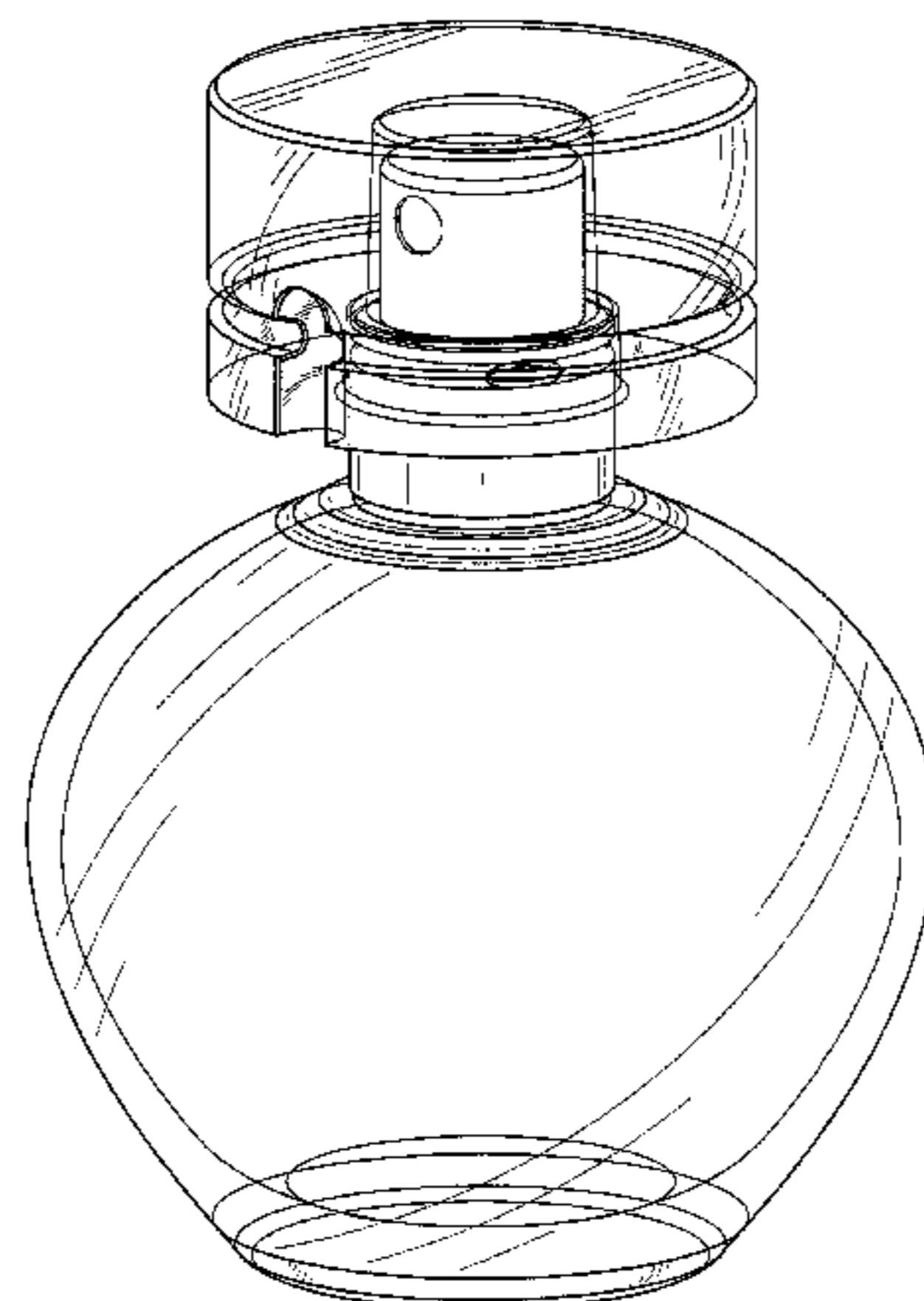
FIG. 4 is a right side view thereof;

FIG. 5 is a left side view thereof;

FIG. 6 is a top view thereof; and,

FIG. 7 is a bottom view thereof.

1 Claim, 7 Drawing Sheets



US D622,614 S

U.S. PATENT DOCUMENTS

D362,187 S *	9/1995	Thompson	D9/500
D365,991 S	1/1996	Varlet	D9/544
5,487,489 A	1/1996	Weiss et al.	222/1
D378,354 S	3/1997	Varlet	D9/544
D378,801 S	4/1997	Blanche	D9/691
D380,390 S	7/1997	Varlet	D9/558
D381,914 S	8/1997	Dinand	D9/545
D388,321 S	12/1997	Chahed	D9/638
D390,783 S	2/1998	Schneider et al.	D9/503
D391,487 S	3/1998	Jivago	D9/521
D392,032 S	3/1998	Zaragoza et al.	D23/369
D393,596 S	4/1998	Kotyuk	D9/558
D395,240 S	6/1998	Dinand	D9/526
D395,398 S	6/1998	Kotyuk	D9/558
D398,242 S	9/1998	Fling et al.	D9/545
D398,243 S	9/1998	Dinand	D9/548
D399,732 S	10/1998	Roberts	D9/600
D412,283 S	7/1999	de Baschmakoff	D9/544
D419,437 S	1/2000	Straeten	D9/668
6,042,022 A	3/2000	Rogozinski et al.	239/211
D422,507 S	4/2000	Luzzi et al.	D9/544
D422,899 S	4/2000	Kudo	D9/687
D423,360 S	4/2000	Hirato et al.	D9/504
D423,924 S	5/2000	Laracy	D9/692
D423,938 S	5/2000	Kudo	D9/259
D425,785 S	5/2000	Hirato et al.	D9/689
D427,055 S	6/2000	Nicolas	D9/689
D427,516 S	7/2000	Legros	D9/632
D429,649 S	8/2000	Kotyuk	D9/552
6,132,123 A *	10/2000	Gueret	401/129
D438,457 S	3/2001	Le Rouzic	D9/644
D440,152 S	4/2001	Legros	D9/632
6,237,788 B1	5/2001	Shuen	
D444,071 S	6/2001	Mansau	D9/566
6,349,855 B1	2/2002	Borri	222/182
D456,267 S	4/2002	Borri	D9/521
6,371,334 B1	4/2002	Lombardi	222/325
D465,149 S	11/2002	Bennett et al.	D9/691
D470,042 S	2/2003	Reinoso	D9/688
D471,086 S	3/2003	Helleu	D9/694
6,527,402 B1	3/2003	Borri	362/86
D473,457 S	4/2003	Reinoso	D9/686
6,726,016 B2	4/2004	Chen	206/581
D496,207 S *	9/2004	Wang	D7/300.1
D497,555 S	10/2004	Lecoule	D9/572
D497,795 S	11/2004	Fling et al.	D9/692
D511,688 S	11/2005	Baron	D9/560
D520,879 S	5/2006	Antretter	D9/683
7,080,760 B2	7/2006	Yu	222/633
D526,567 S	8/2006	Dalton	D9/544
D531,912 S	11/2006	Antretter	D9/546
D534,806 S	1/2007	Antretter	D9/546
D534,809 S	1/2007	Paglina et al.	D9/574
D537,347 S	2/2007	Burks	D9/519

7,185,827 B2	3/2007	Quintard et al.	239/55
D540,173 S	4/2007	Obuchi	D9/521
D542,138 S	5/2007	Hainaut	D9/522
D545,200 S	6/2007	Dosa	D9/519
D550,086 S	9/2007	Burks	D9/519
D561,030 S	2/2008	Simkin	D9/519
D562,689 S	2/2008	Antretter	D9/544
D563,238 S	3/2008	Nevins et al.	D9/684
D567,100 S	4/2008	Liden et al.	D9/560
D567,666 S	4/2008	Hessmer et al.	D9/686
D567,667 S	4/2008	Kikuchi	D9/687
D568,758 S	5/2008	Burks	D9/670
D572,145 S	7/2008	Knapp et al.	D9/635
D573,035 S	7/2008	Dean	D9/690
D573,471 S	7/2008	Seum et al.	D9/516
D574,249 S	8/2008	Seum et al.	D9/529
D576,880 S	9/2008	Couey	D9/503
D577,600 S	9/2008	Kim et al.	D9/573
D579,782 S	11/2008	Reinoso	D9/544
D584,625 S	1/2009	Seum et al.	D9/516
D584,639 S	1/2009	Antretter	D9/687
D586,226 S	2/2009	Lloyd	D9/556
D588,469 S	3/2009	Pininfarina	D9/687
D588,927 S	3/2009	Antretter	D9/630
D589,362 S	3/2009	Takounseun et al.	D9/691
D592,973 S	5/2009	Kim	D9/719
D593,420 S	6/2009	Augenbraun et al.	D9/687
D593,863 S	6/2009	Fahy et al.	D9/516
D596,950 S	7/2009	Nevins et al.	D9/690
D599,675 S	9/2009	Premo	D9/687
D600,123 S	9/2009	Baron	D9/517
D601,024 S	9/2009	Rica	D9/516
D601,026 S	9/2009	Jost et al.	D9/522
D601,029 S	9/2009	Wagner	D9/535
D601,033 S	9/2009	Rica	D9/544
2003/0127354 A1	7/2003	Chen	206/581
2006/0138172 A1	6/2006	Yu	222/261
2007/0125805 A1	6/2007	Thomson et al.	222/251
2008/0000869 A1	1/2008	McGuinness	215/317
2008/0286143 A1	11/2008	Grodsky	422/4
2009/0065467 A1	3/2009	Heyn	215/317
2009/0194191 A1	8/2009	Turgeman	141/18
2009/0272146 A1	11/2009	Kazazian	63/1.14

FOREIGN PATENT DOCUMENTS

EM	000770318-0003	* 8/2007
EM	001002653-0001	* 9/2008
EM	001005797-0001	* 10/2008
EM	001076020-0004	* 2/2009
EM	001099741-0002	* 4/2009
EM	001111033-0002	* 5/2009
FR	040313-007	* 3/2004
WO	D037419-001	* 11/1996
WO	D063943-002	* 7/2003

* cited by examiner

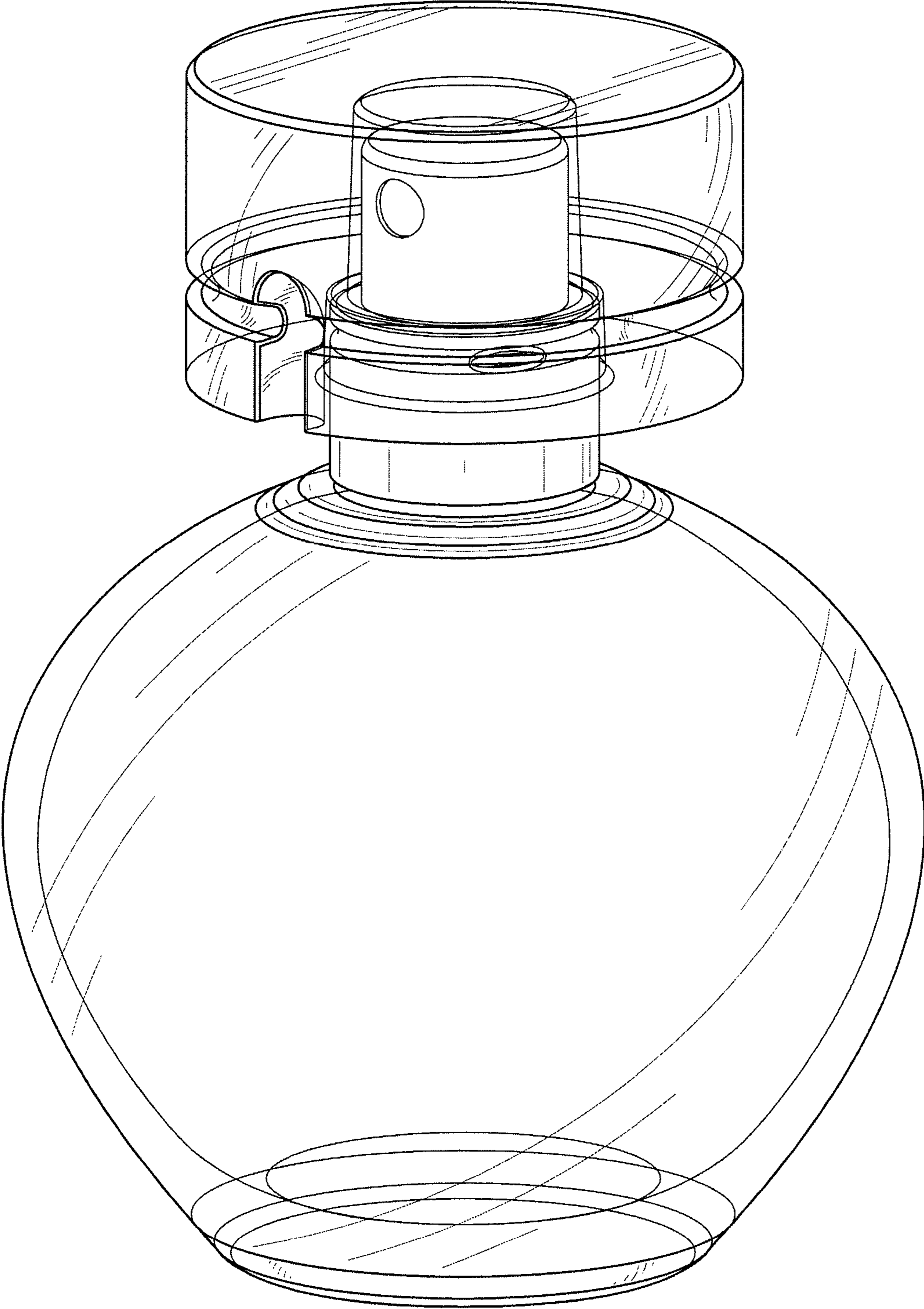


FIG. 1

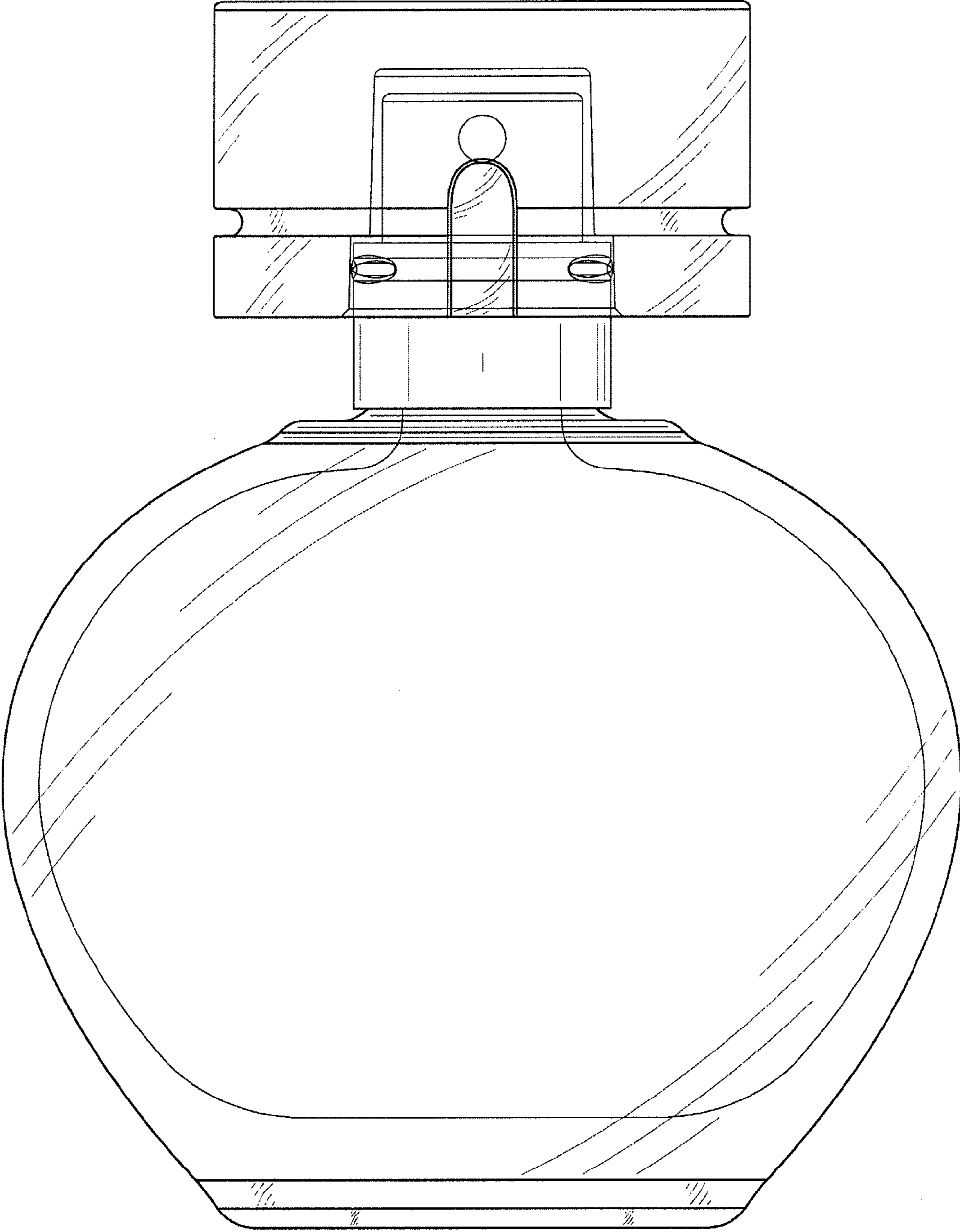


FIG. 2

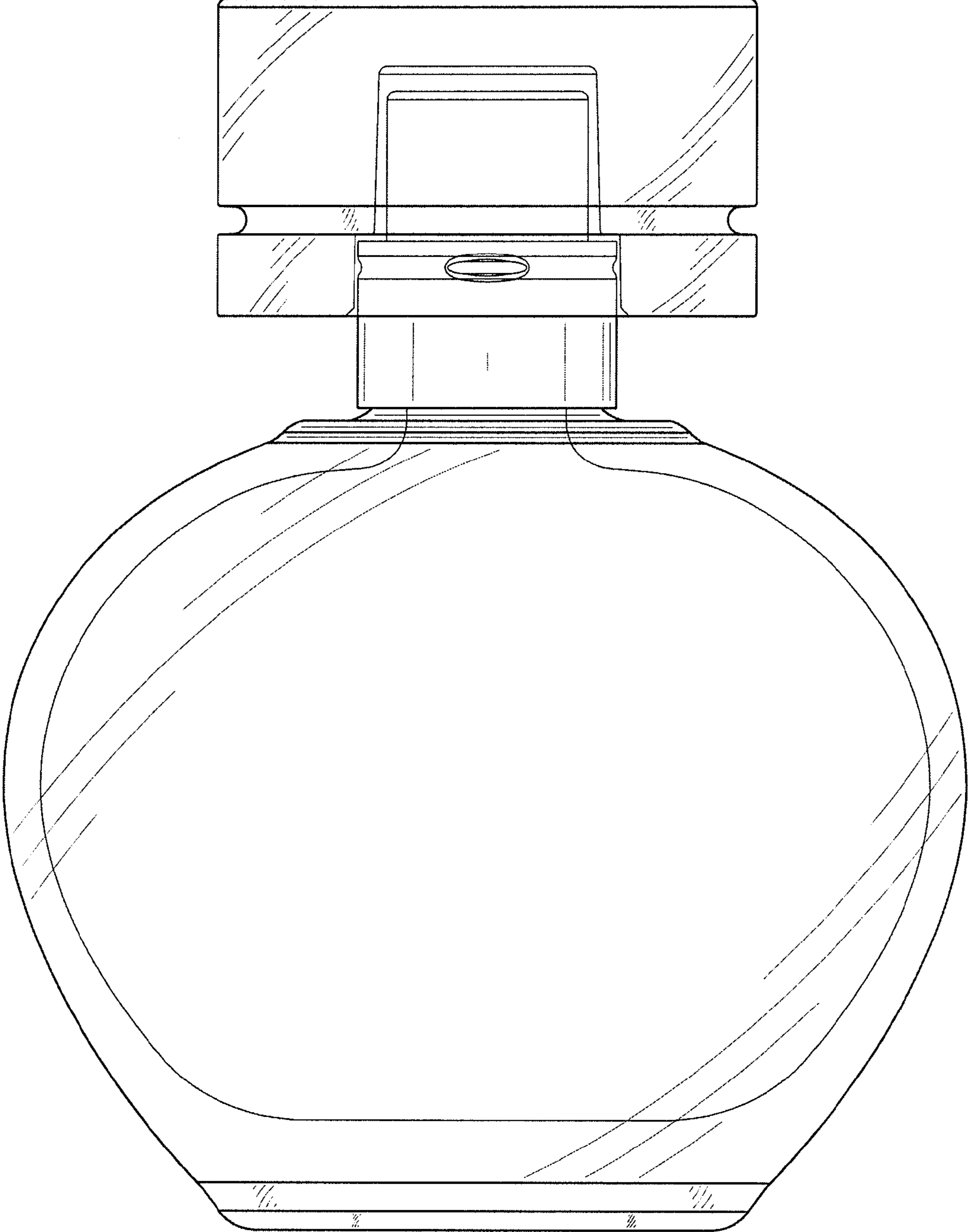


FIG. 3

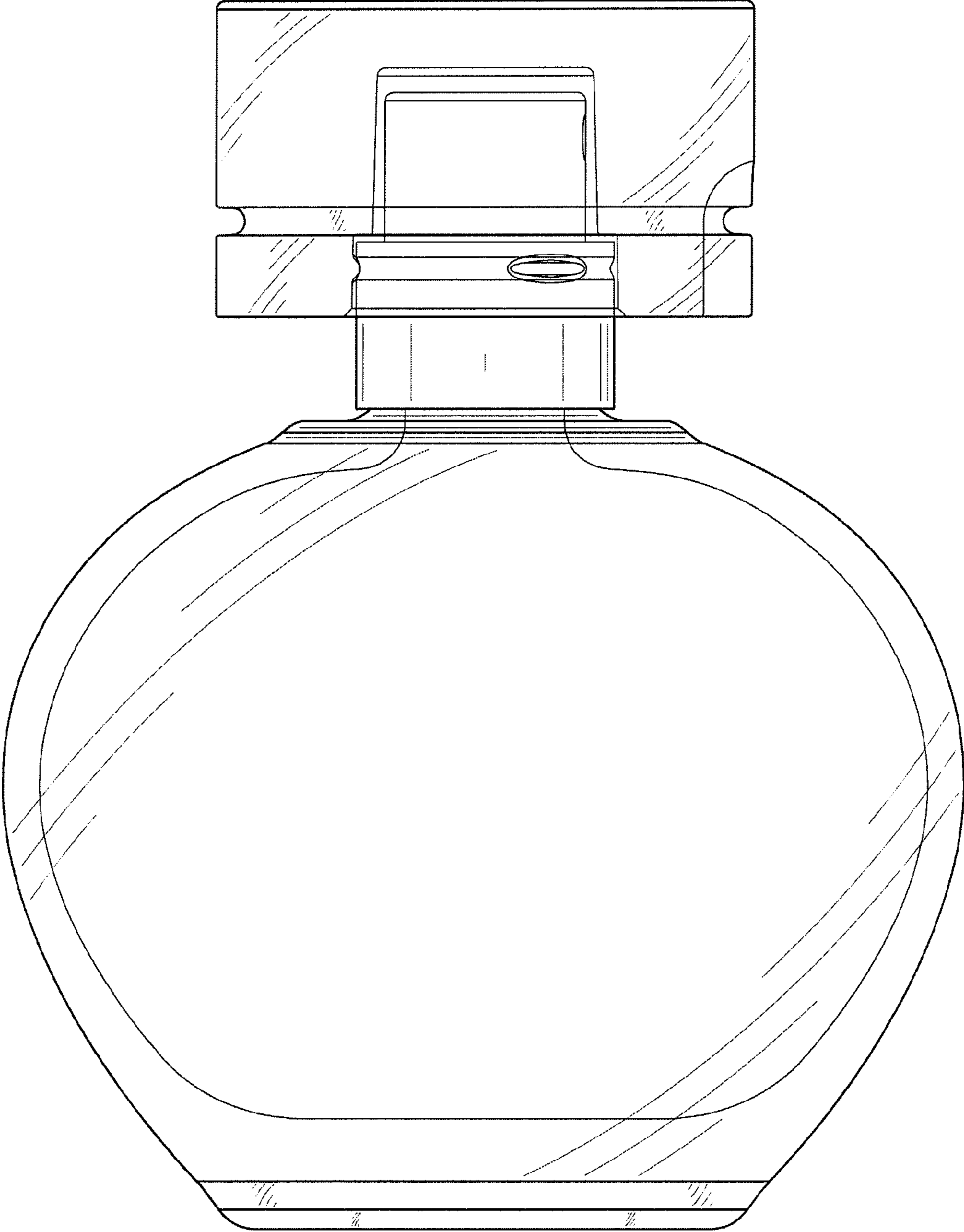


FIG. 4

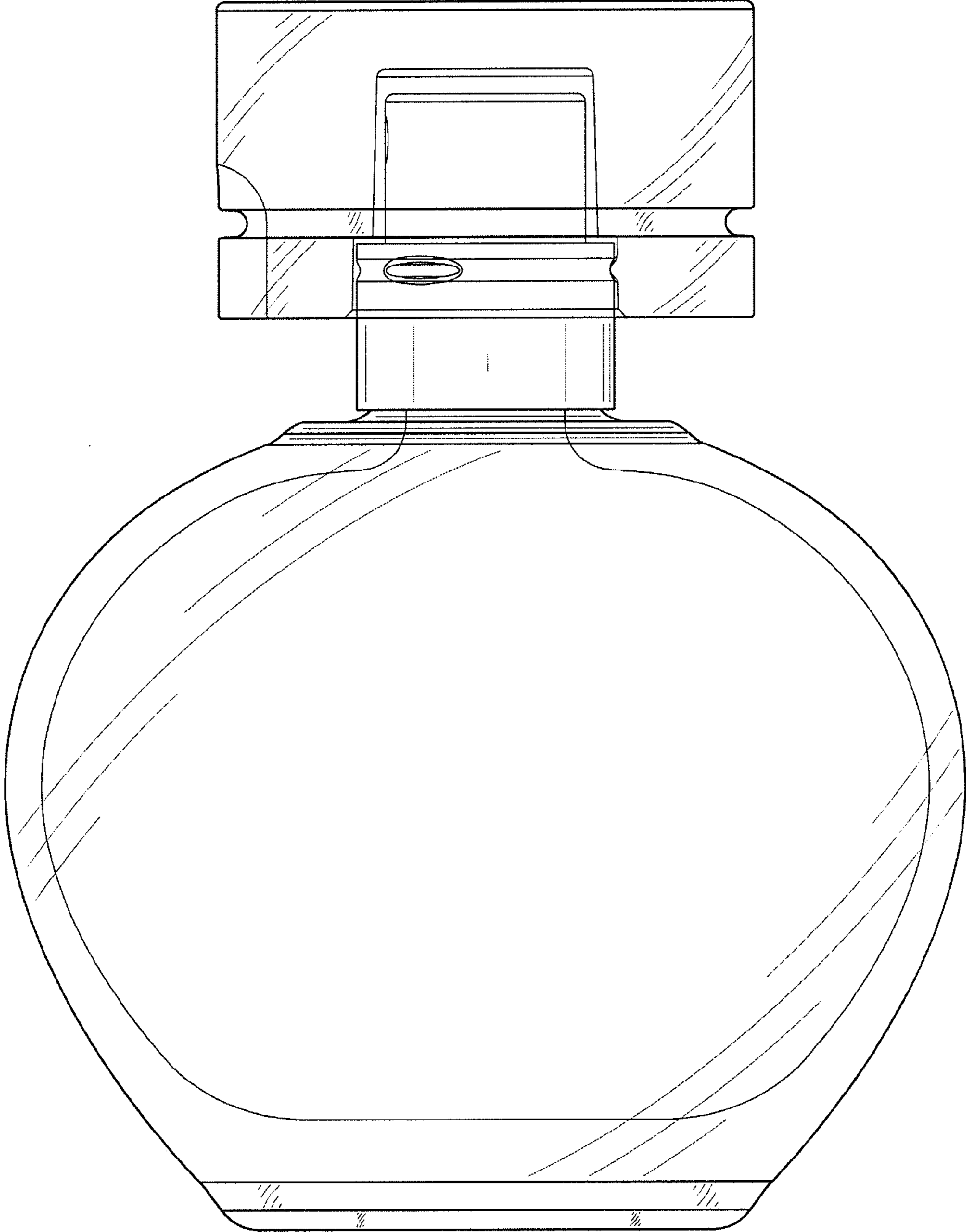


FIG. 5

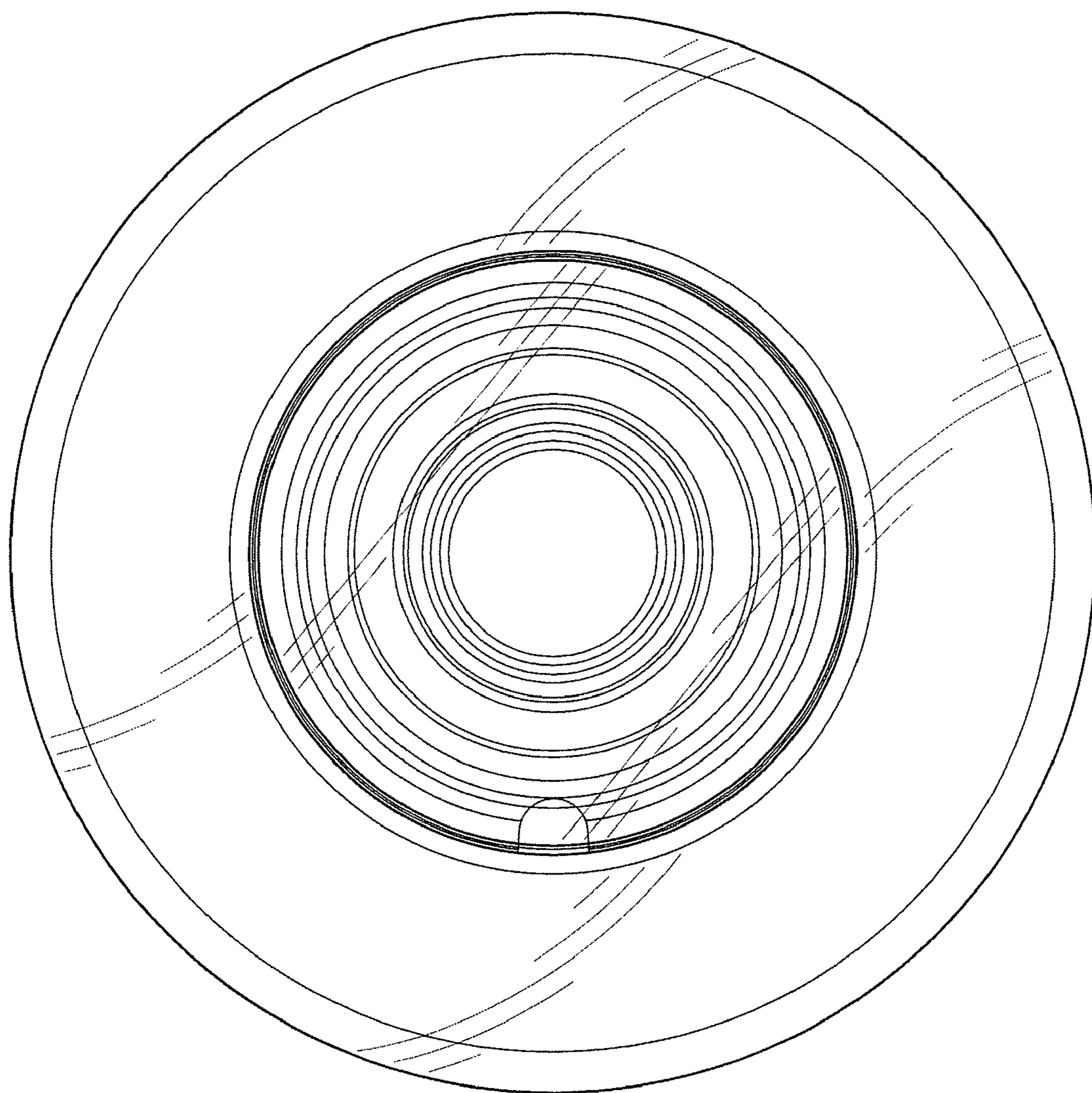


FIG. 6

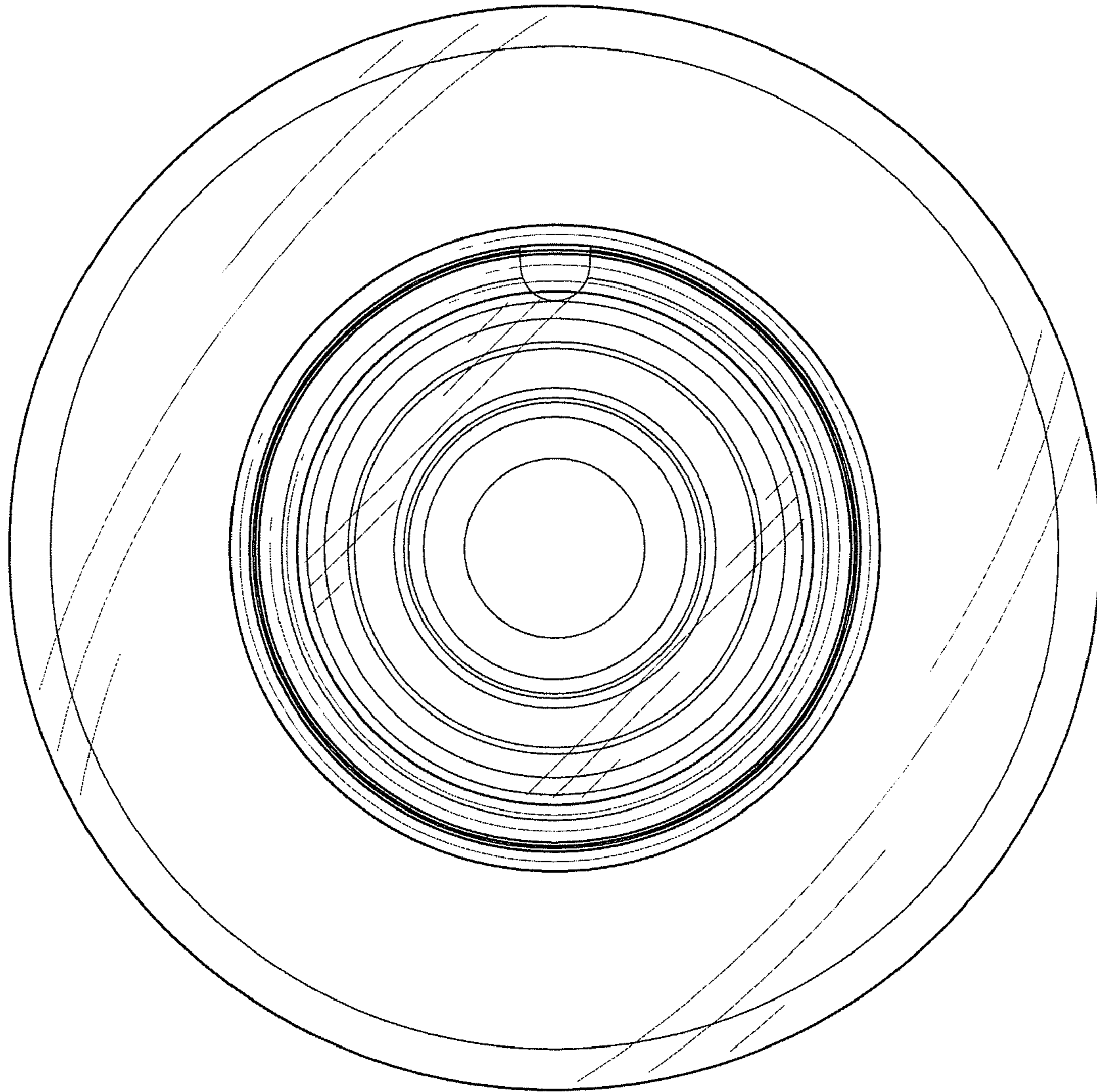


FIG. 7