



US00D622591S

(12) **United States Design Patent**  
**Biesecker et al.**

(10) **Patent No.:** **US D622,591 S**

(45) **Date of Patent:** **\*\* Aug. 31, 2010**

(54) **BOTTLE CAP**

(75) Inventors: **Frederick N. Biesecker**, Boyertown, PA (US); **Lissa B. Longacre**, Boyertown, PA (US)

(73) Assignee: **Drug Plastics & Glass Company, Inc.**, Boyertown, PA (US)

(\*\*) Term: **14 Years**

(21) Appl. No.: **29/344,257**

(22) Filed: **Sep. 25, 2009**

(51) **LOC (9) Cl.** ..... **09-07**

(52) **U.S. Cl.** ..... **D9/435**

(58) **Field of Classification Search** ..... D9/529,  
D9/521, 454, 452, 447, 445, 435, 530, 453,  
D9/724, 448, 538, 438; 220/200, 806, 716,  
220/258.2, 257.1; 215/200, 261, 260; 222/520,  
222/521, 212

See application file for complete search history.

(56) **References Cited**

**U.S. PATENT DOCUMENTS**

D158,107 S \* 4/1950 Lindholm ..... D7/612  
2,606,586 A \* 8/1952 Hill ..... 220/802  
D230,138 S \* 1/1974 Weller ..... D9/425

D306,265 S \* 2/1990 Leebeek ..... D9/435  
D377,733 S \* 2/1997 Ahern et al. .... D7/392.1  
D424,753 S \* 5/2000 Grossnickle et al. .... D28/82  
6,802,418 B2 \* 10/2004 Atkinson et al. .... 206/278  
D525,526 S \* 7/2006 Abbott et al. .... D9/449  
D584,612 S \* 1/2009 Ianello ..... D9/435  
D597,840 S \* 8/2009 Biesecker et al. .... D9/454

\* cited by examiner

*Primary Examiner*—Susan Bennett Hattan

(74) *Attorney, Agent, or Firm*—Panitch Schwarze Belisario & Nadel LLP

(57) **CLAIM**

The ornamental design for bottle cap, as shown and described.

**DESCRIPTION**

FIG. 1 is a top perspective view of our bottle cap in accordance with our new design;

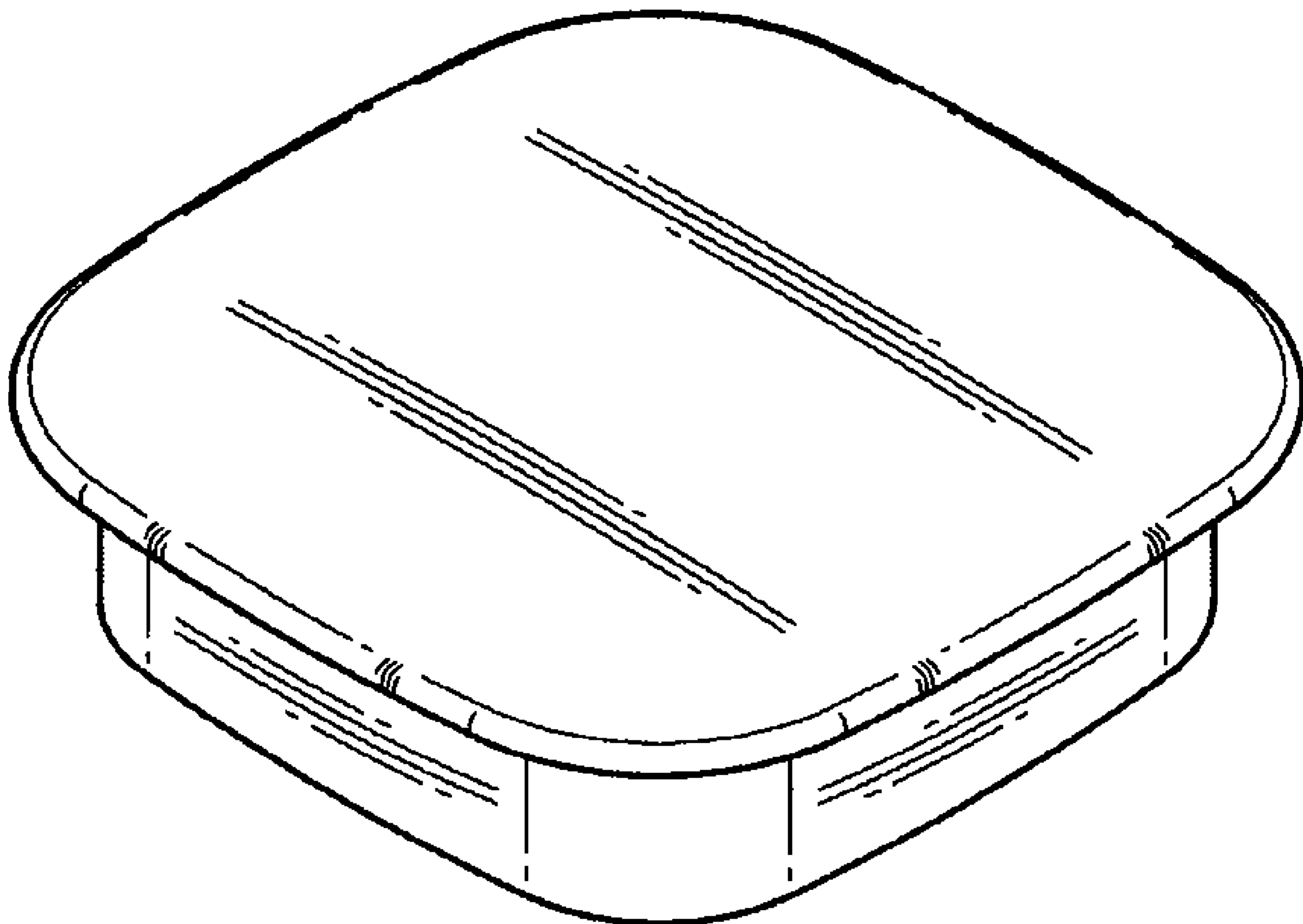
FIG. 2 is a top plan view thereof;

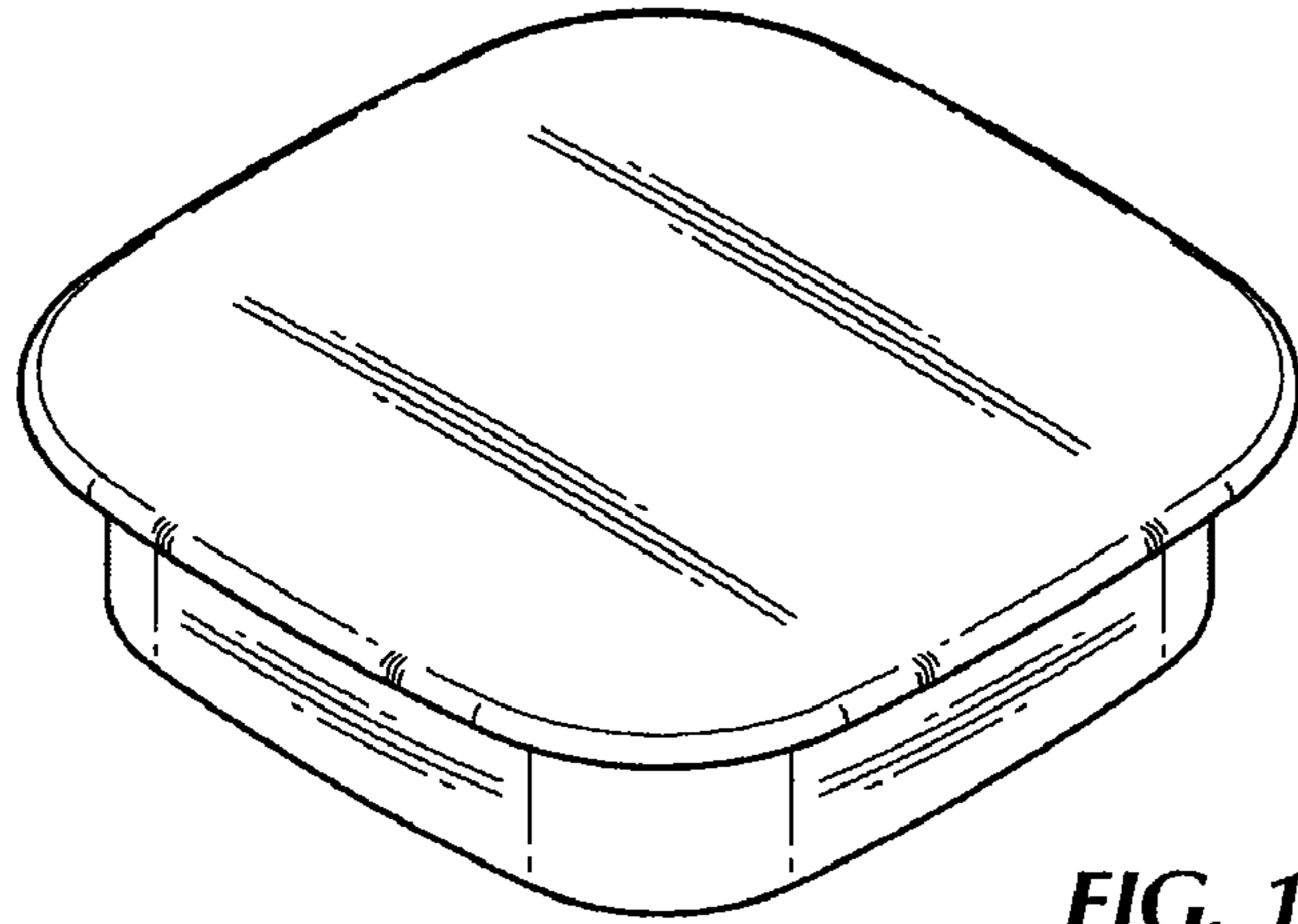
FIG. 3 is a bottom plan view thereof; and,

FIG. 4 is a front view thereof, with rear, left-side elevational and right side elevational views being identical.

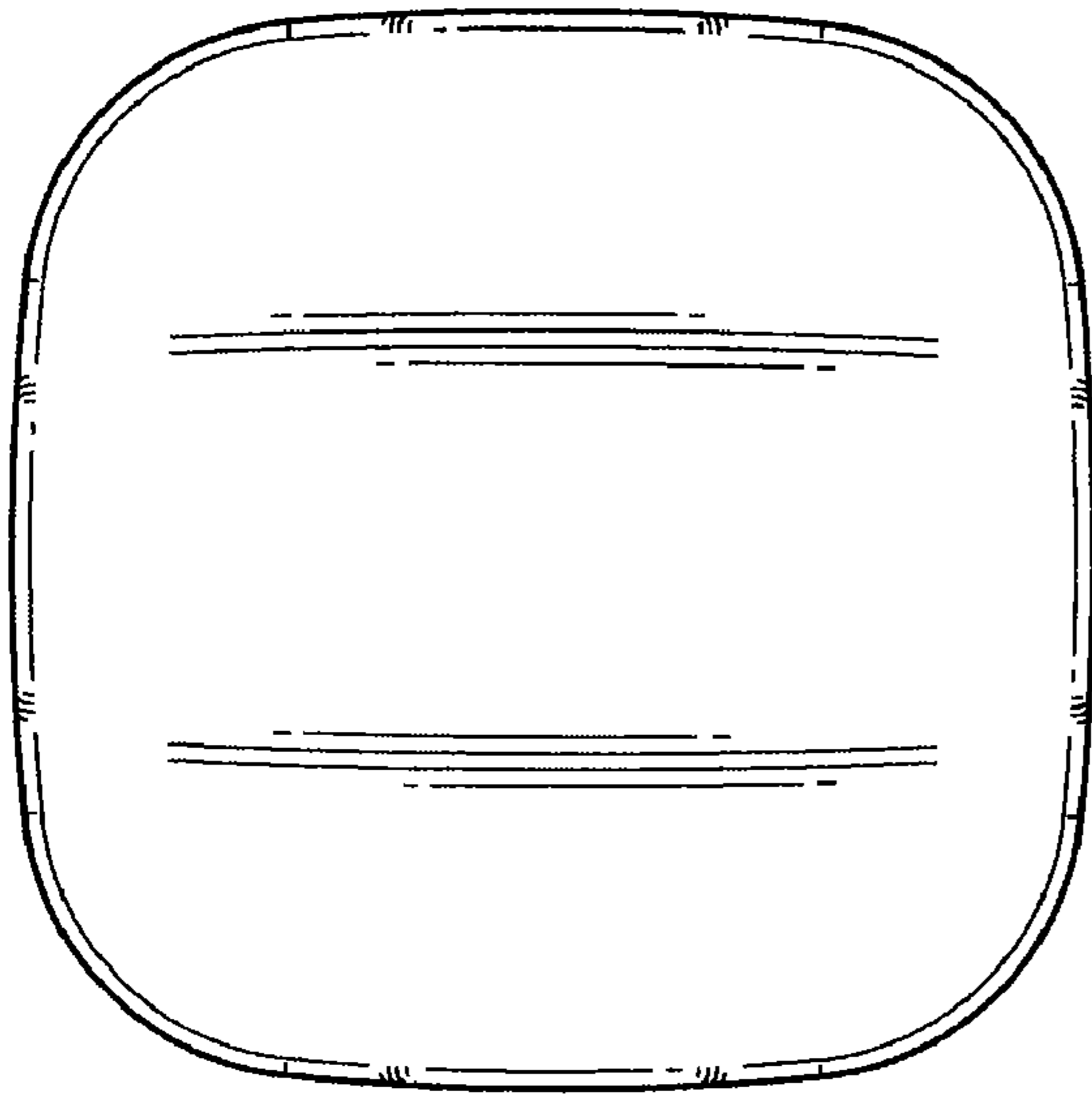
The broken lines in the figures are for illustrative purposes only and form no part of the claimed design.

**1 Claim, 1 Drawing Sheet**

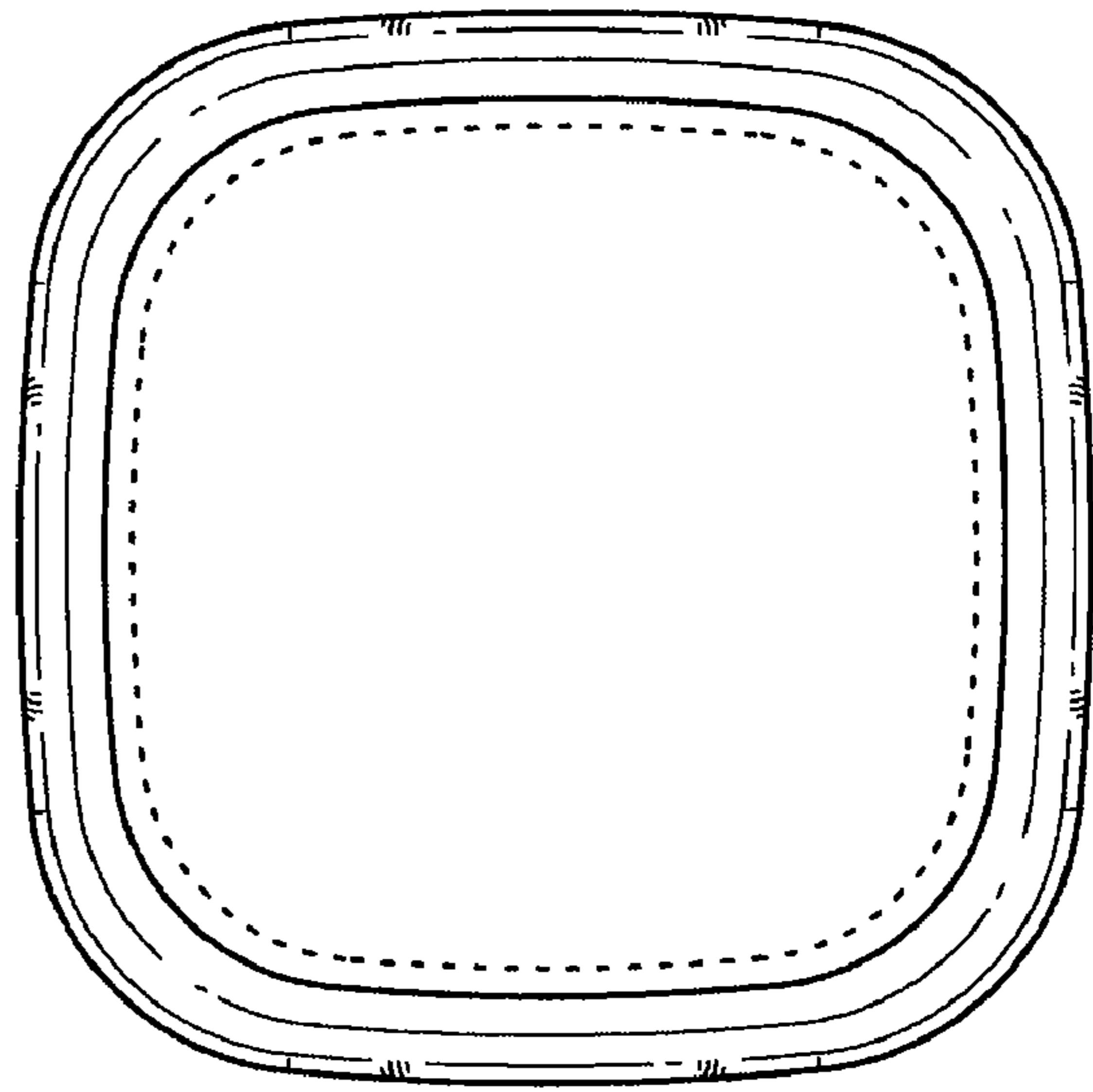




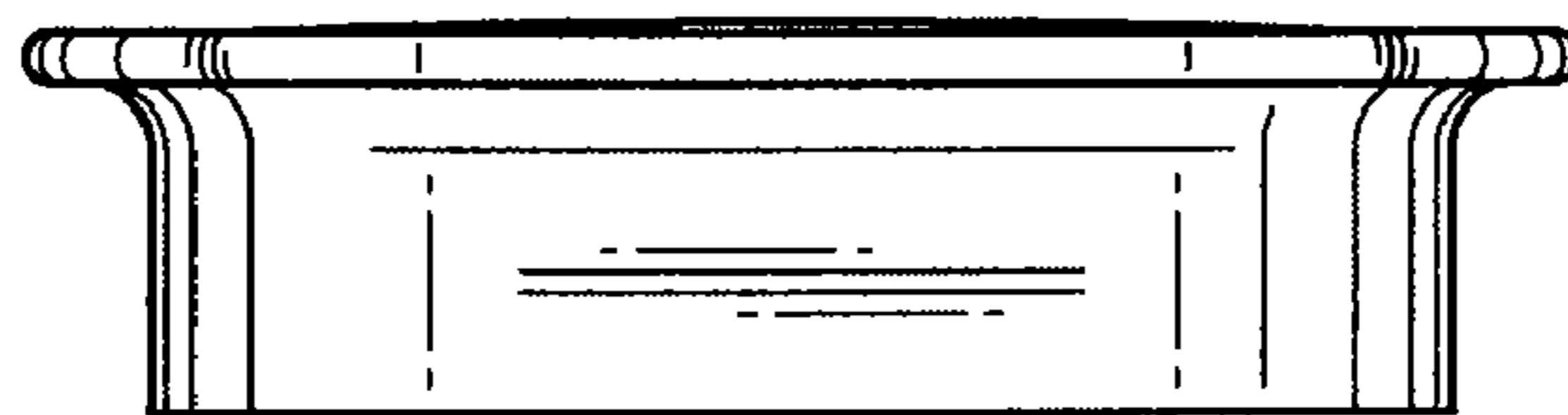
**FIG. 1**



**FIG. 2**



**FIG. 3**



**FIG. 4**