



US00D622590S

(12) **United States Design Patent**
Tayama

(10) **Patent No.:** **US D622,590 S**

(45) **Date of Patent:** **** Aug. 31, 2010**

(54) **GOLF BALL PACKAGE**

FOREIGN PATENT DOCUMENTS

(75) Inventor: **Shunsuke Tayama**, Hachioji (JP)

JP 3007681 2/1995

(73) Assignee: **Bridgestone Sports Co., Ltd.**, Tokyo (JP)

(Continued)

(**) Term: **14 Years**

Primary Examiner—Robert M Spear
Assistant Examiner—Karen Acker

(21) Appl. No.: **29/335,999**

(22) Filed: **Apr. 27, 2009**

(57) **CLAIM**

I claim the ornamental design for a golf ball package, as shown and described.

(30) **Foreign Application Priority Data**

Dec. 8, 2008 (JP) 2008-311732

DESCRIPTION

(51) **LOC (9) Cl.** **09-03**

(52) **U.S. Cl.** **D9/432**

(58) **Field of Classification Search** D9/430–433,
D9/414, 418, 420–423; D3/272; 206/278,
206/297, 299, 457, 770, 737, 822; 229/100,
229/101, 101.3, 106, 108, 108.1, 116.1, 116.3,
229/116.5, 121, 122, 201, 213, 221, 222,
229/227, 922, 939, 942, 87.08, 101.2, 193,
229/195, 197

See application file for complete search history.

FIG. 1 is a front top and side perspective view of a golf ball package showing a new design with the cover in a display position;

FIG. 2 is a rear top and side perspective view thereof;

FIG. 3 is a bottom side perspective view thereof;

FIG. 4 is a vertical side sectional view taken along line 4—4 in FIG. 2;

FIG. 5 is a vertical front sectional view taken along line 5—5 in FIG. 2;

FIG. 6 is a front top and side perspective view of the golf ball package of FIG. 1 in a position of use;

FIG. 7 is a front perspective view of the golf ball package of FIG. 1 with the cover in a closed position;

FIG. 8 is a perspective view of the golf ball package of FIG. 1, reduced in size with the cover open and in a position of use; and,

FIG. 9 is a perspective view of the golf ball package of FIG. 1, unfolded and reduced in size.

The nature and environmental use of the claimed design is in connection with the display and sale of golf balls. The broken lines in the drawings represent unclaimed environmental subject matter.

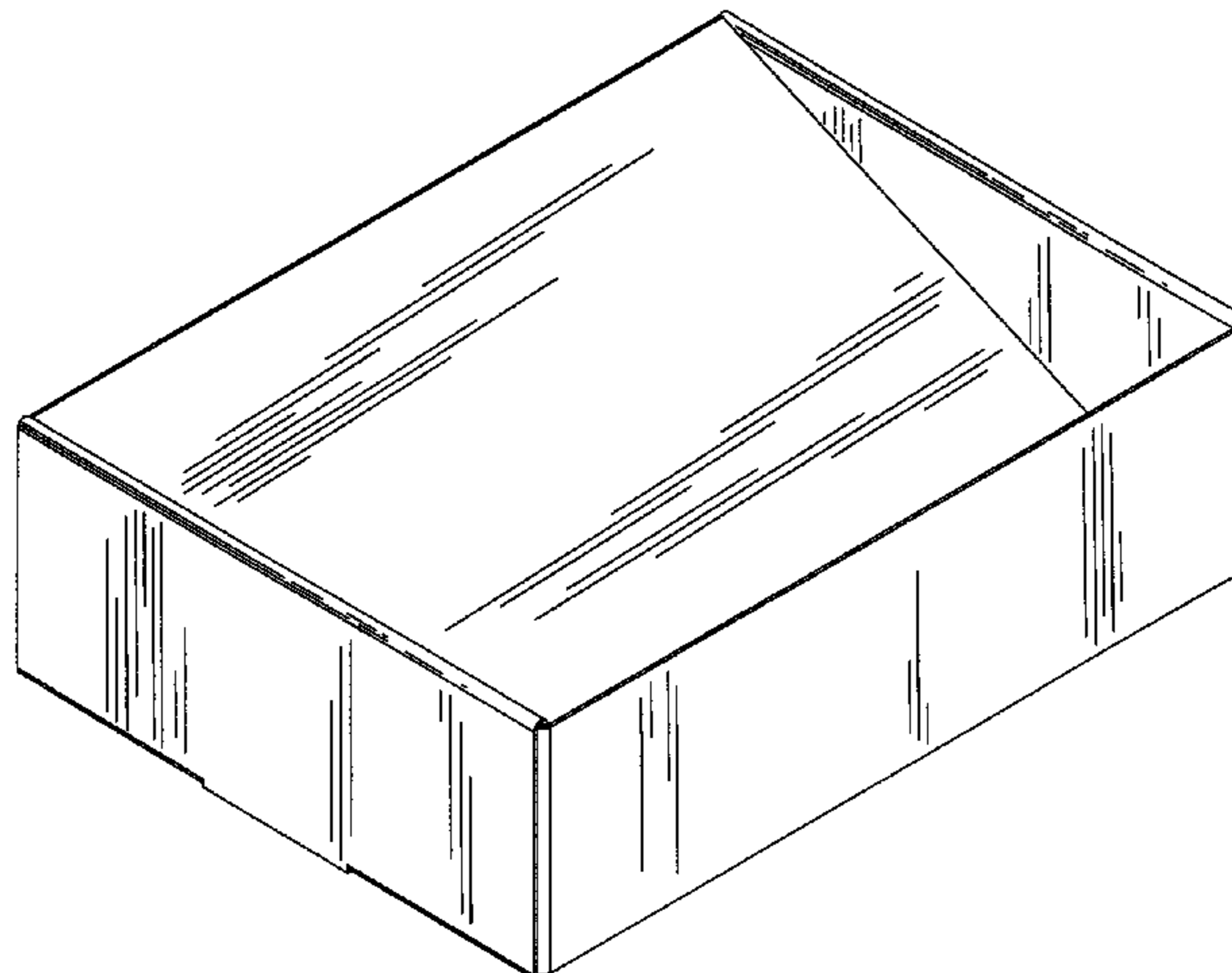
(56) **References Cited**

U.S. PATENT DOCUMENTS

888,774	A *	5/1908	Wood	229/100
1,352,759	A *	9/1920	Markert	206/589
1,477,634	A *	12/1923	Connor	220/6
1,676,975	A *	7/1928	Anderson et al.	
2,008,949	A *	7/1935	Ellsworth	206/278
2,748,928	A *	6/1956	Stavis et al.	206/560
2,839,236	A *	6/1958	Dunning	229/145
3,112,058	A *	11/1963	Martin	229/122
3,270,946	A *	9/1966	Redpath et al.	229/212
3,325,080	A *	6/1967	Persson	229/100
3,404,829	A *	10/1968	Stone	229/148
3,539,089	A *	11/1970	Osberg	229/120.12

(Continued)

1 Claim, 8 Drawing Sheets



US D622,590 S

Page 2

U.S. PATENT DOCUMENTS

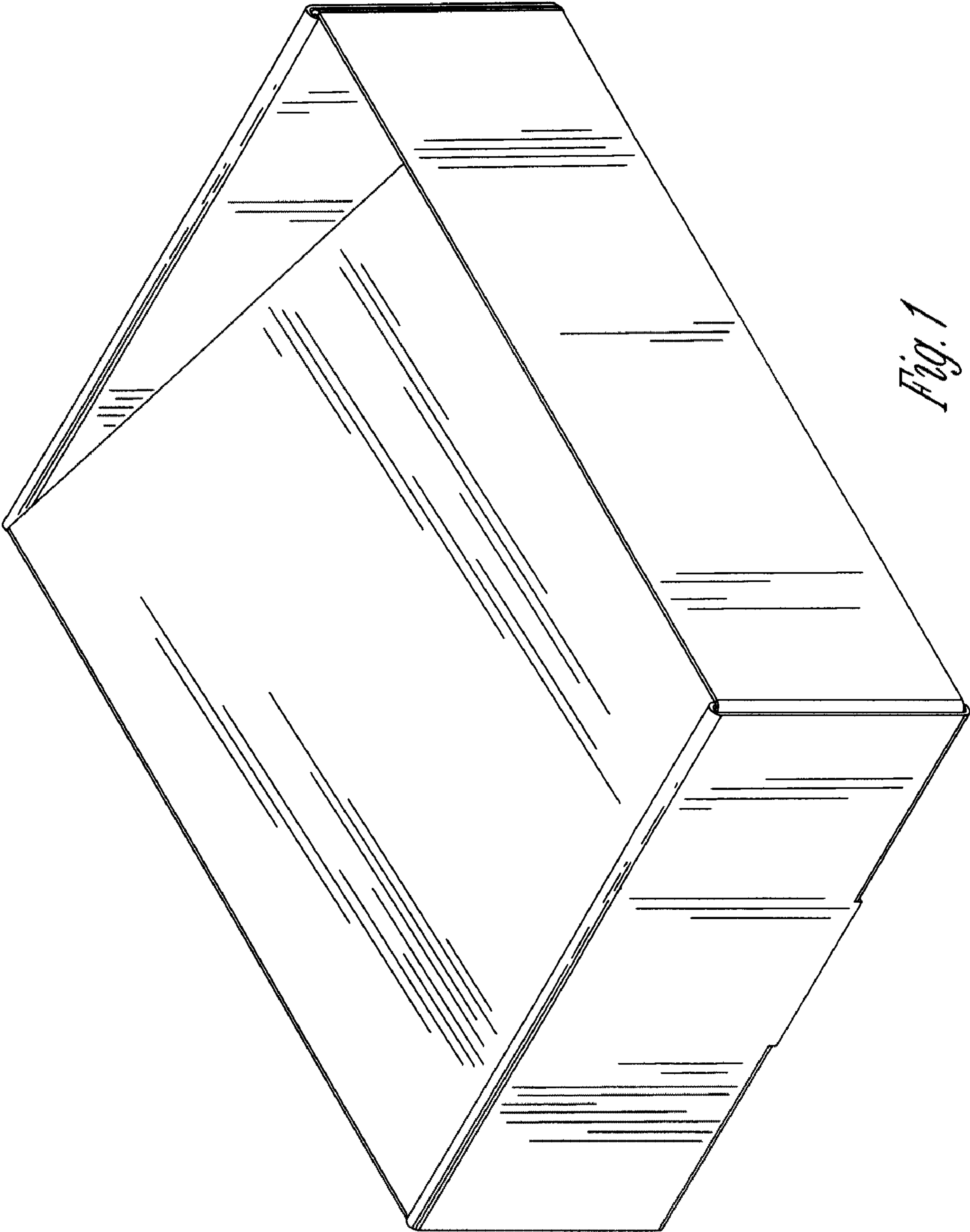
4,240,576 A * 12/1980 Persson 229/103
D260,080 S * 8/1981 Ravotto et al. D9/418
4,467,920 A 8/1984 Smith
4,925,088 A * 5/1990 Ostrander 229/120.12
D332,184 S * 1/1993 Becker D6/397
D350,692 S * 9/1994 Seki D9/636
D374,175 S 10/1996 Tesar
D390,781 S 2/1998 Neusy
D394,386 S 5/1998 Fischer
6,044,970 A 4/2000 Shinoda
D429,085 S * 8/2000 Welty et al. D6/397
D434,651 S 12/2000 Guzman
6,158,588 A 12/2000 Conti
D447,687 S 9/2001 Roby
6,354,436 B2 3/2002 Ohno
D470,403 S 2/2003 Molitor et al.
D470,404 S 2/2003 Molitor et al.
D482,610 S 11/2003 Molitor et al.
D509,422 S 9/2005 Gehry

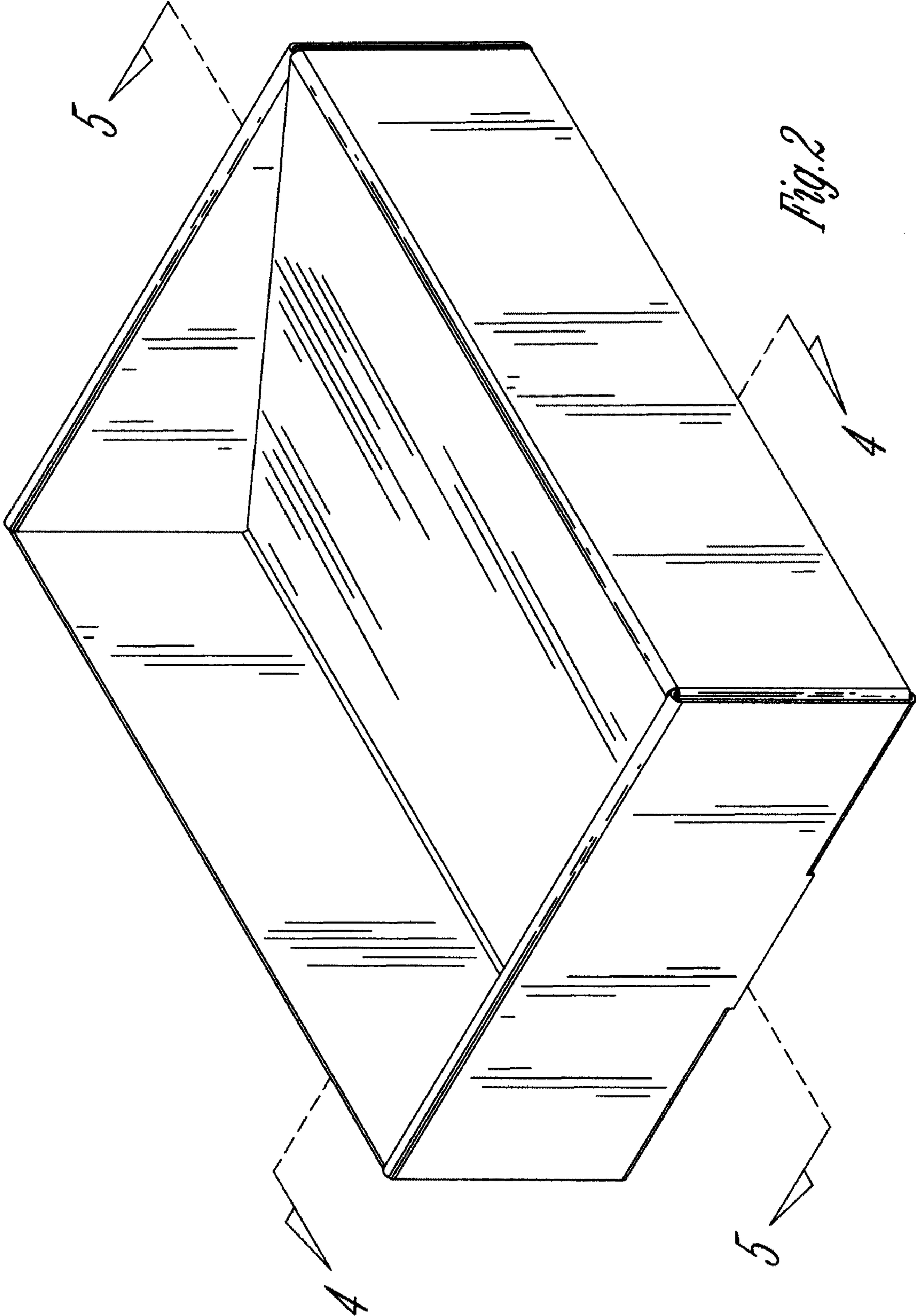
D516,906 S 3/2006 Ogawa
7,252,197 B1 * 8/2007 Voswinkel 206/762
7,377,420 B2 * 5/2008 Gardner 229/122.23
D592,968 S * 5/2009 Lee et al. D9/600
2005/0218020 A1 * 10/2005 Lucas 206/315.9
2006/0037876 A1 * 2/2006 Fath et al. 206/271
2006/0283925 A1 * 12/2006 Specker 229/120.24

FOREIGN PATENT DOCUMENTS

JP 3017404 10/1995
JP 3025277 6/1996
JP 3050655 7/1998
JP 200219234 8/2000
JP 200148186 2/2001
JP 1196783 2/2004
JP 1230794 2/2005
JP 3111218 7/2005
JP 1251396 9/2005

* cited by examiner





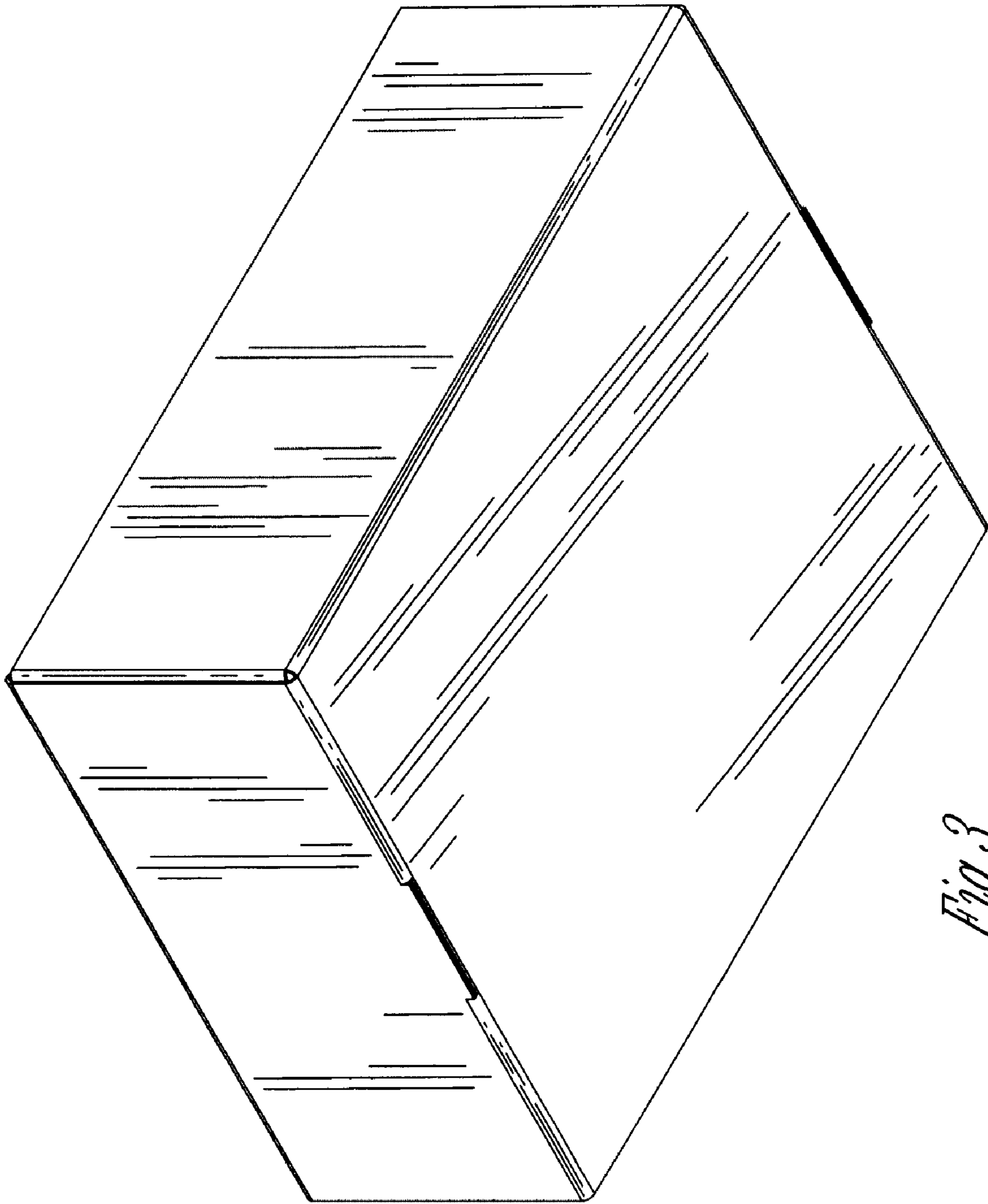


Fig. 3

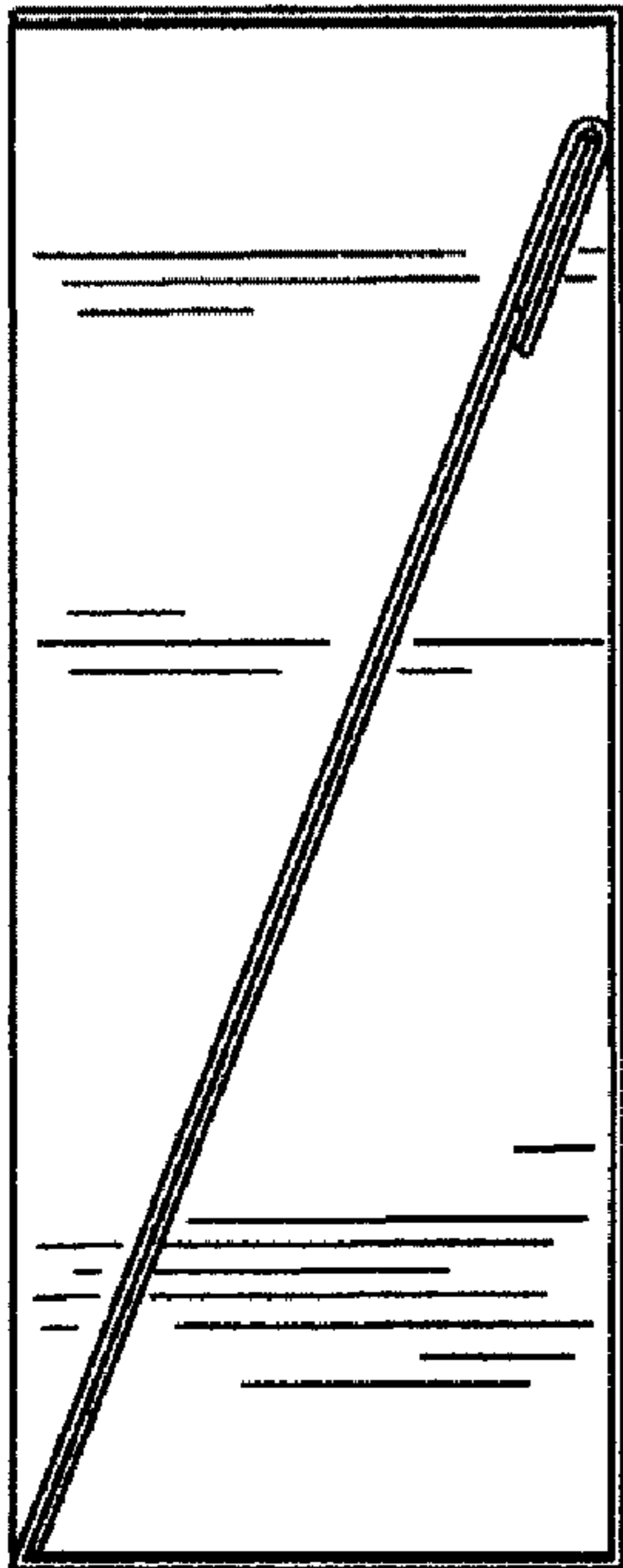


Fig. 4

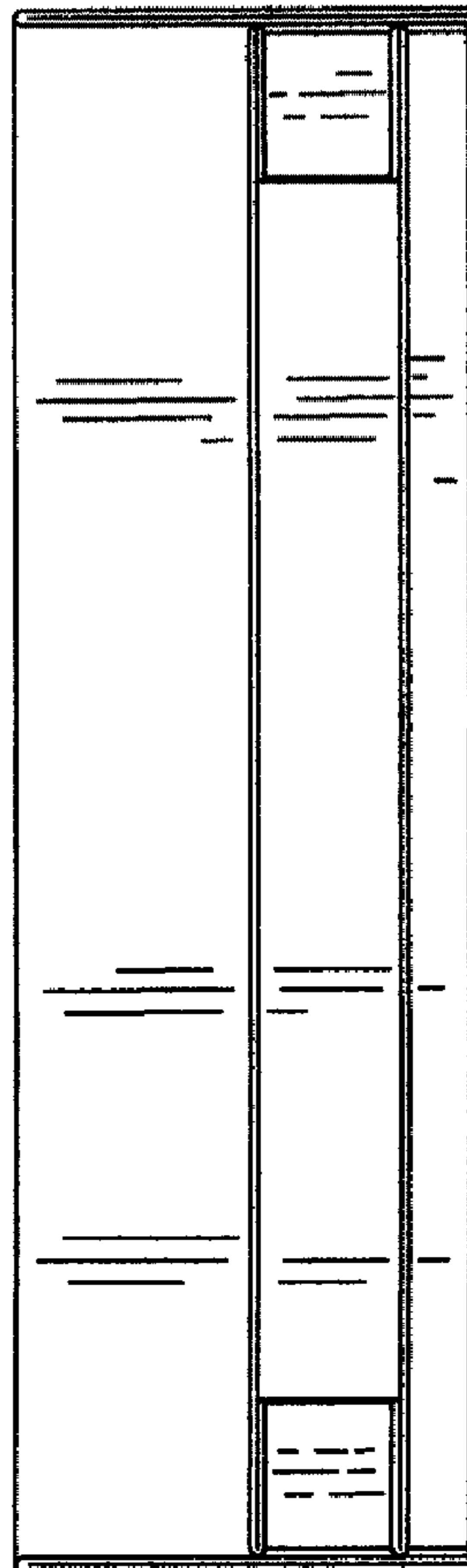


Fig. 5

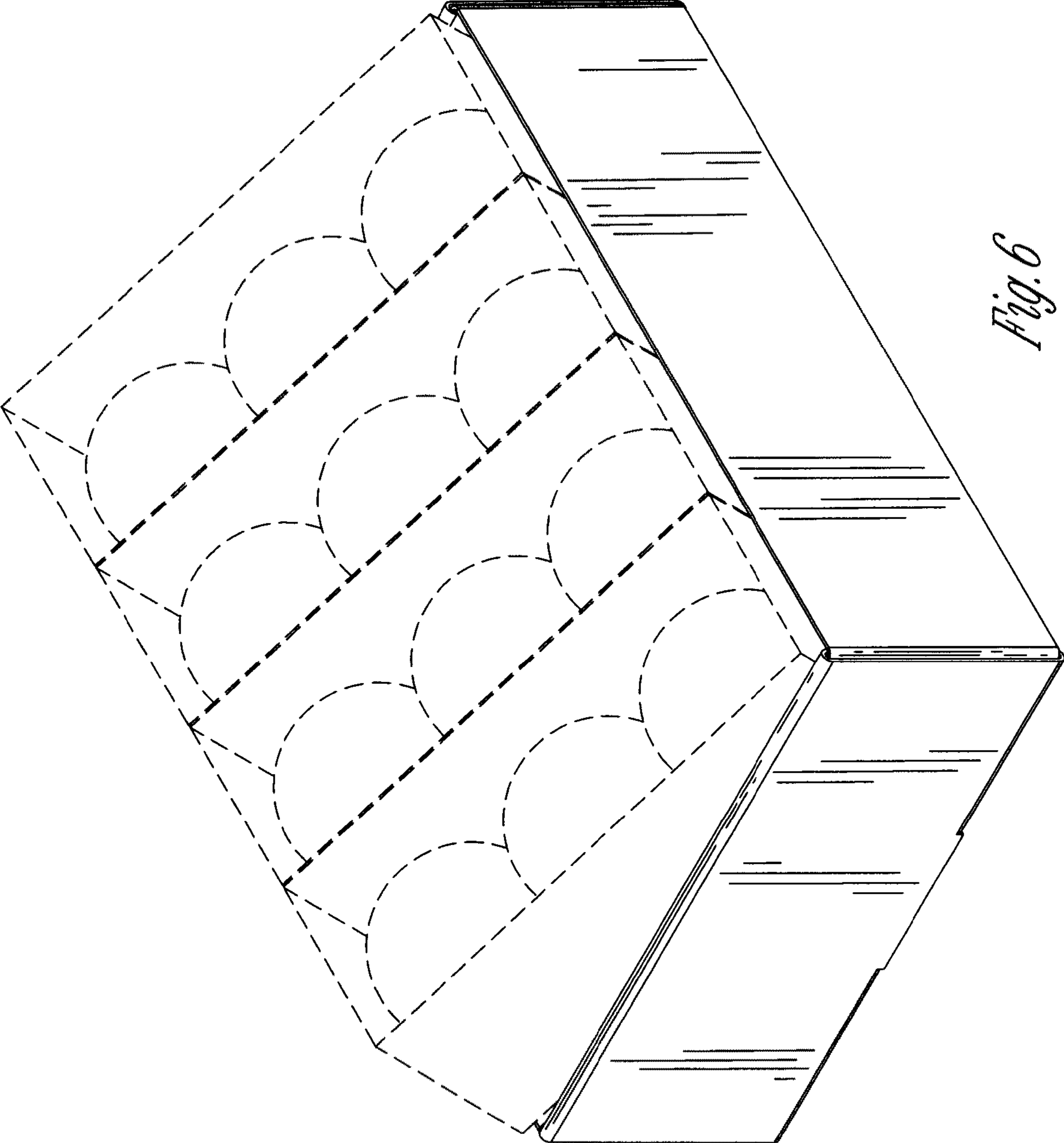


Fig. 6

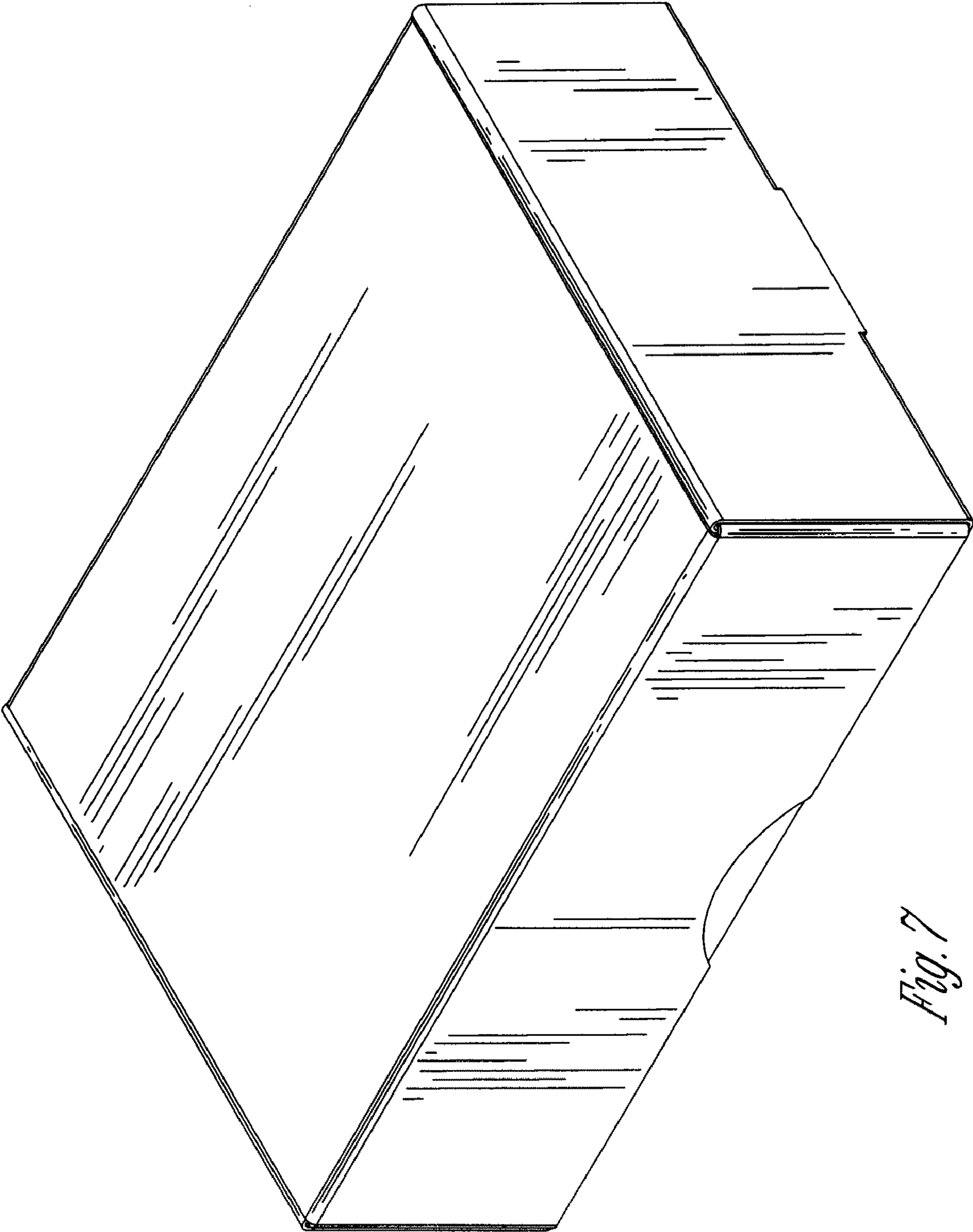


Fig. 7

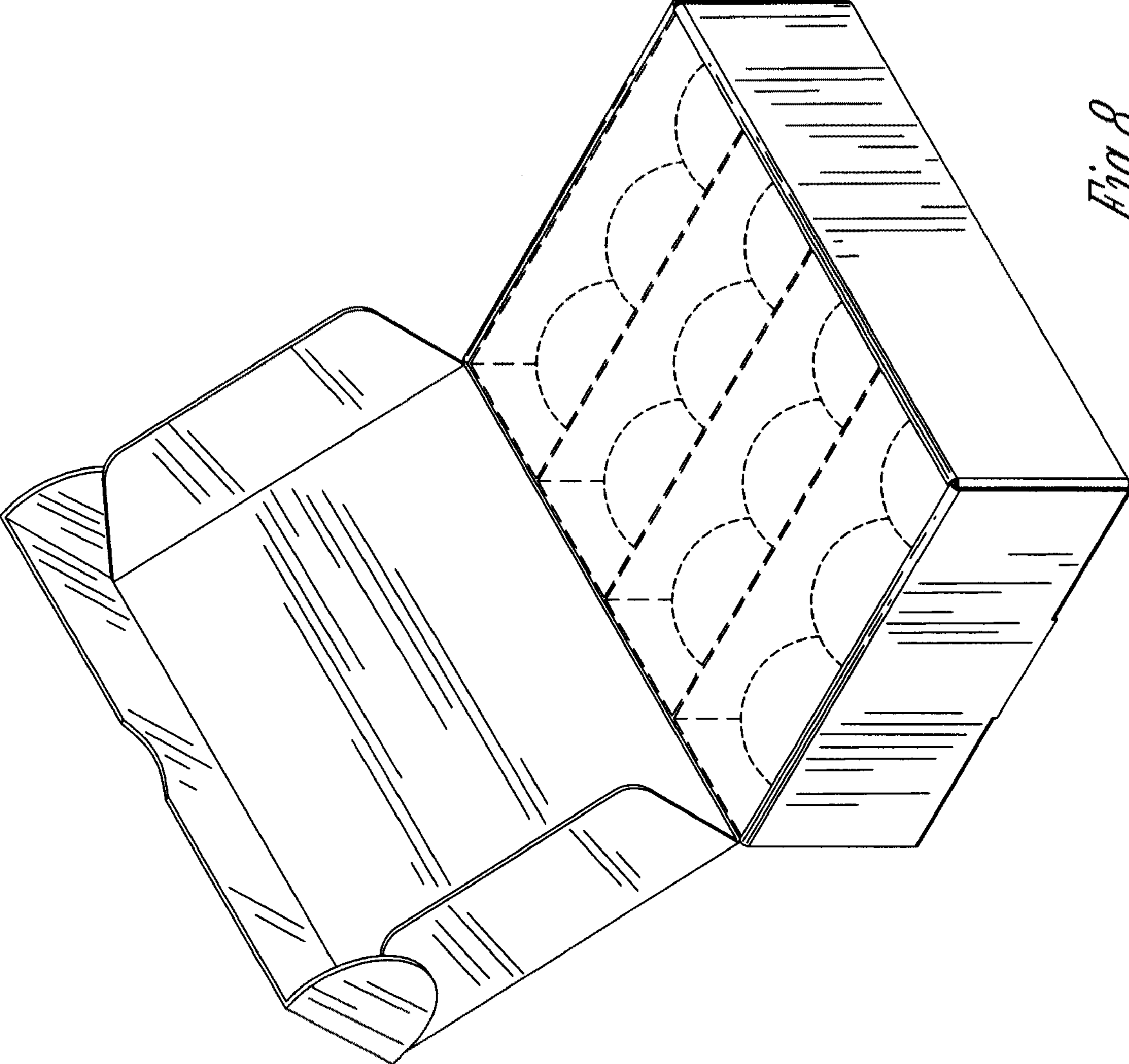


Fig. 8

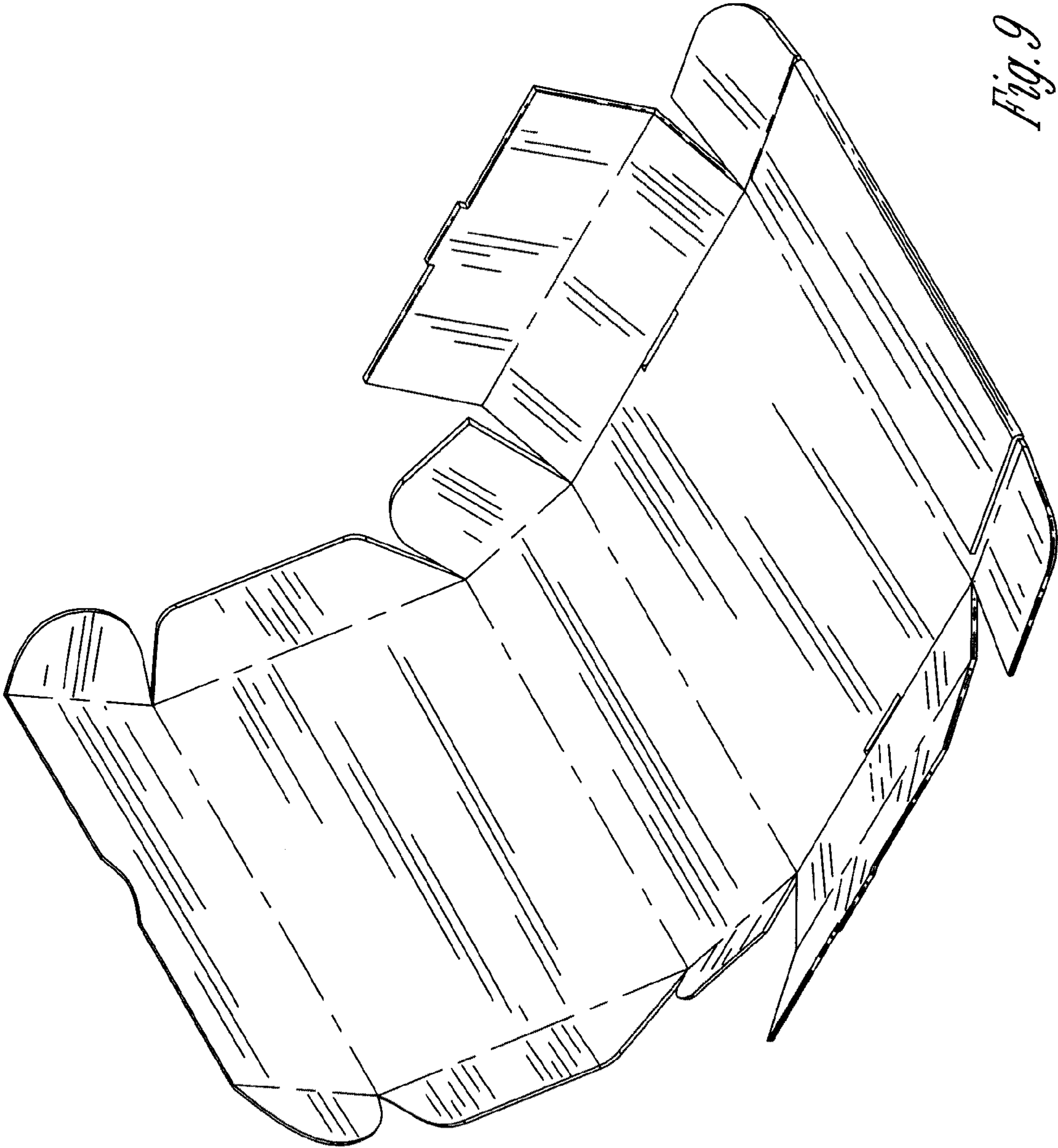


Fig. 9