



US00D622588S

(12) **United States Design Patent**
Wichmann et al.

(10) **Patent No.:** **US D622,588 S**

(45) **Date of Patent:** **** Aug. 31, 2010**

(54) **FOOD TRAY AND MATING COVER SYSTEM**

D482,277 S * 11/2003 Castellanos et al. D9/425
D494,857 S * 8/2004 Chen et al. D9/759

(75) Inventors: **Matthew J Wichmann**, Crescent Springs, KY (US); **Michael G Evans**, Cincinnati, OH (US)

(Continued)

(73) Assignee: **Waddington North America, Inc.**, Chelmsford, MA (US)

OTHER PUBLICATIONS

Sabert Corporation, "The Art of Catering", 2007, 9 pgs.

Primary Examiner—Mark A Goodwin

(74) *Attorney, Agent, or Firm*—Vern Maine & Associates

(**) Term: **14 Years**

(57) **CLAIM**

(21) Appl. No.: **29/340,366**

The ornamental design for a food tray and mating cover system, as shown and described.

(22) Filed: **Jul. 17, 2009**

DESCRIPTION

(51) **LOC (9) Cl.** **09-03**

(52) **U.S. Cl.** **D9/424; D9/761**

(58) **Field of Classification Search** D9/761,
D9/737, 418, 414, 420–426, 432, 416, 429,
D9/419; D7/629, 538, 540, 601, 602, 615;
426/106; 229/120, 406, 407, 87.08; 206/1.5,
206/527; 220/4.01, 23.83, 500, 890

FIG. 1 is a top front perspective view of a food tray and mating cover system showing our new design, with the mating cover and food tray shown apart for ease of illustration and the broken line showing of an optional oval label insert in FIGS. 1-3 and 8 forming no part of the claimed design;

FIG. 2 is a bottom-front perspective view thereof;

FIG. 3 is a top plan view of the mating cover thereof, shown without the food tray for ease of illustration;

FIG. 4 is a top plan view of the mating cover thereof, shown without the oval label insert, and without the food tray for ease of illustration;

FIG. 5 is a bottom plan view of the food tray thereof, shown without the mating cover for ease of illustration;

FIG. 6 is a front elevation view of the mating cover and food tray thereof;

FIG. 7 is a side elevation view thereof;

FIG. 8 is a bottom view of the mating cover thereof, shown without the food tray for ease of illustration; and,

FIG. 9 is a top plan view of the food tray thereof, shown without the mating cover for ease of illustration.

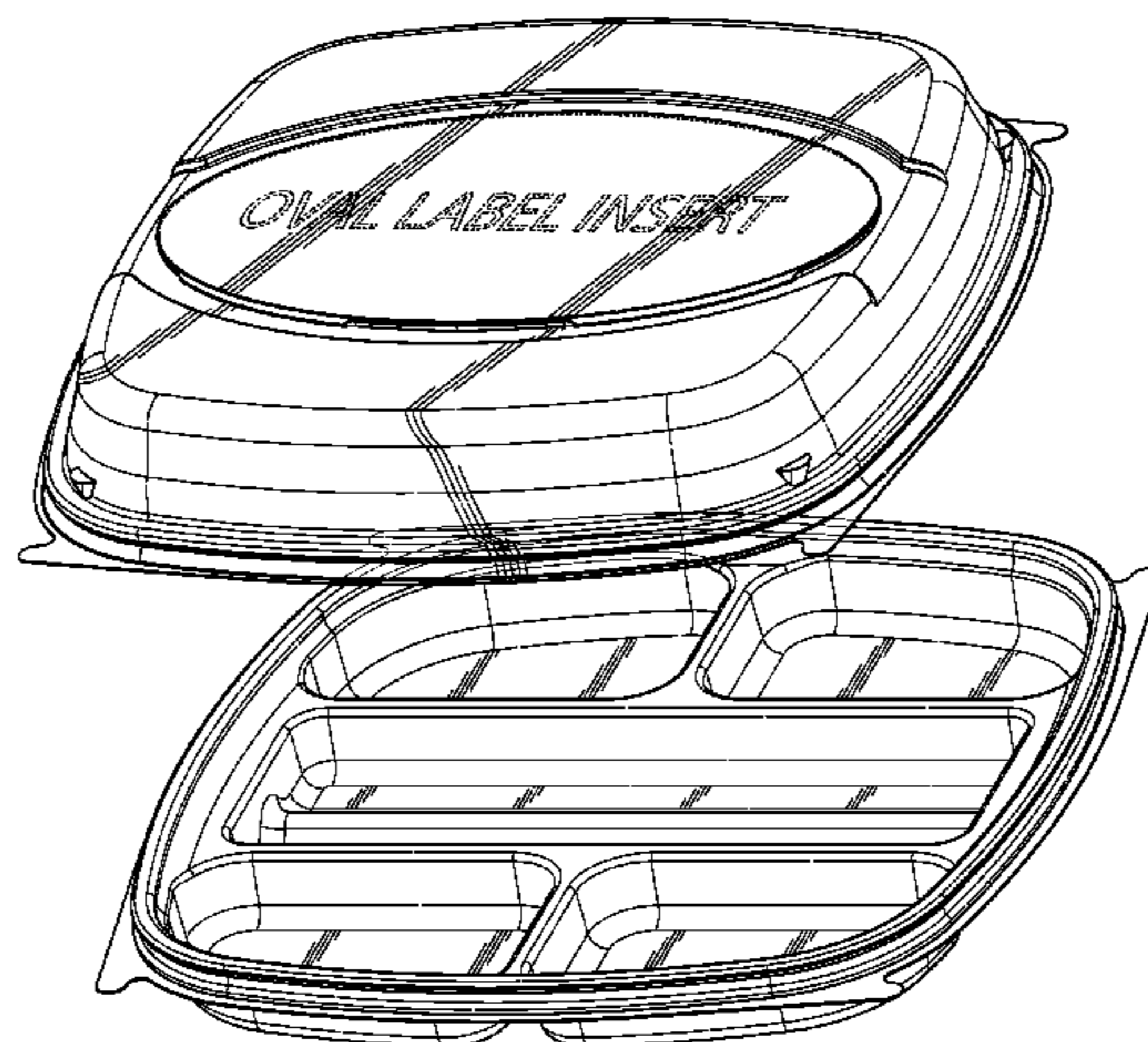
See application file for complete search history.

(56) **References Cited**

U.S. PATENT DOCUMENTS

D251,657 S *	4/1979	Jewell	D9/426
D280,605 S *	9/1985	Karlik	D9/426
D282,245 S *	1/1986	Yeung	D9/425
D303,633 S *	9/1989	Terauds	D9/428
D336,850 S *	6/1993	Guillin	D9/429
D339,744 S *	9/1993	Seppala	D9/425
D348,394 S *	7/1994	Dreyer	D9/425
D375,259 S *	11/1996	Whitehead	D9/761
D387,986 S *	12/1997	Hayes et al.	D9/435
D408,282 S *	4/1999	McCann	D9/423
5,960,985 A	10/1999	Barrett		
D433,592 S *	11/2000	Hopkins	D7/359
D439,159 S *	3/2001	Chen	D9/425
D448,288 S *	9/2001	Zettle et al.	D9/425
D468,637 S *	1/2003	Chou	D9/425

1 Claim, 9 Drawing Sheets



US D622,588 S

Page 2

U.S. PATENT DOCUMENTS

D504,813 S *	5/2005	Chou	D9/425	D590,706 S *	4/2009	Doliwa et al.	D9/425
D522,355 S *	6/2006	Castellanos et al.	D9/425	D591,148 S *	4/2009	Parikh et al.	D9/425
D527,956 S *	9/2006	Doliwa	D7/629	D594,325 S *	6/2009	Colacitti	D9/425
D539,666 S *	4/2007	Chou	D9/737	D596,499 S *	7/2009	Willis et al.	D9/761
D541,648 S *	5/2007	Bennett et al.	D9/425	D596,903 S *	7/2009	Willis et al.	D7/553.2
D554,531 S *	11/2007	Lovett	D9/737	D597,831 S *	8/2009	Clark et al.	D9/424
D555,475 S *	11/2007	Enriquez et al.	D9/425	D606,395 S *	12/2009	Franczyk et al.	D9/424

* cited by examiner

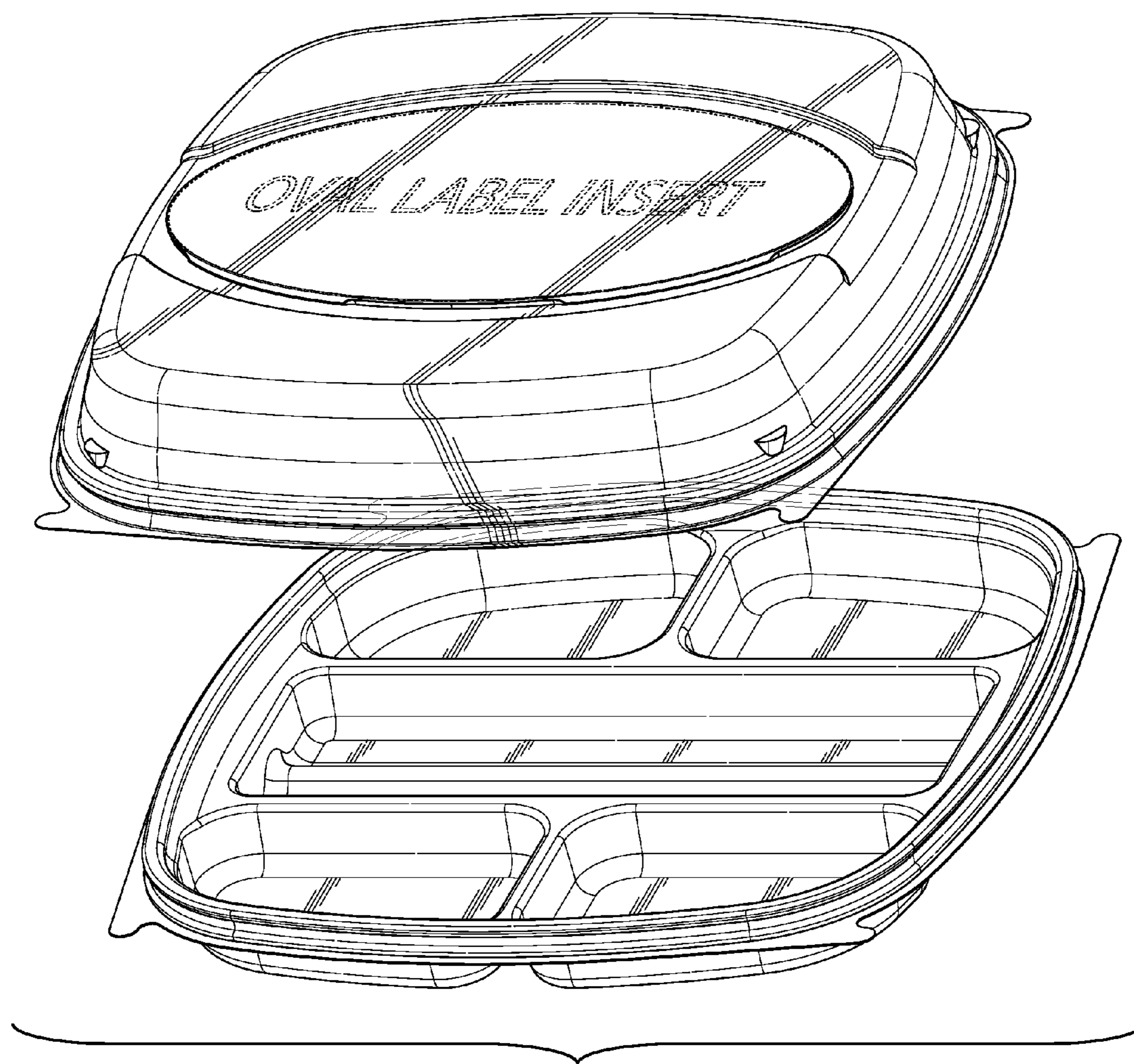


FIG. 1

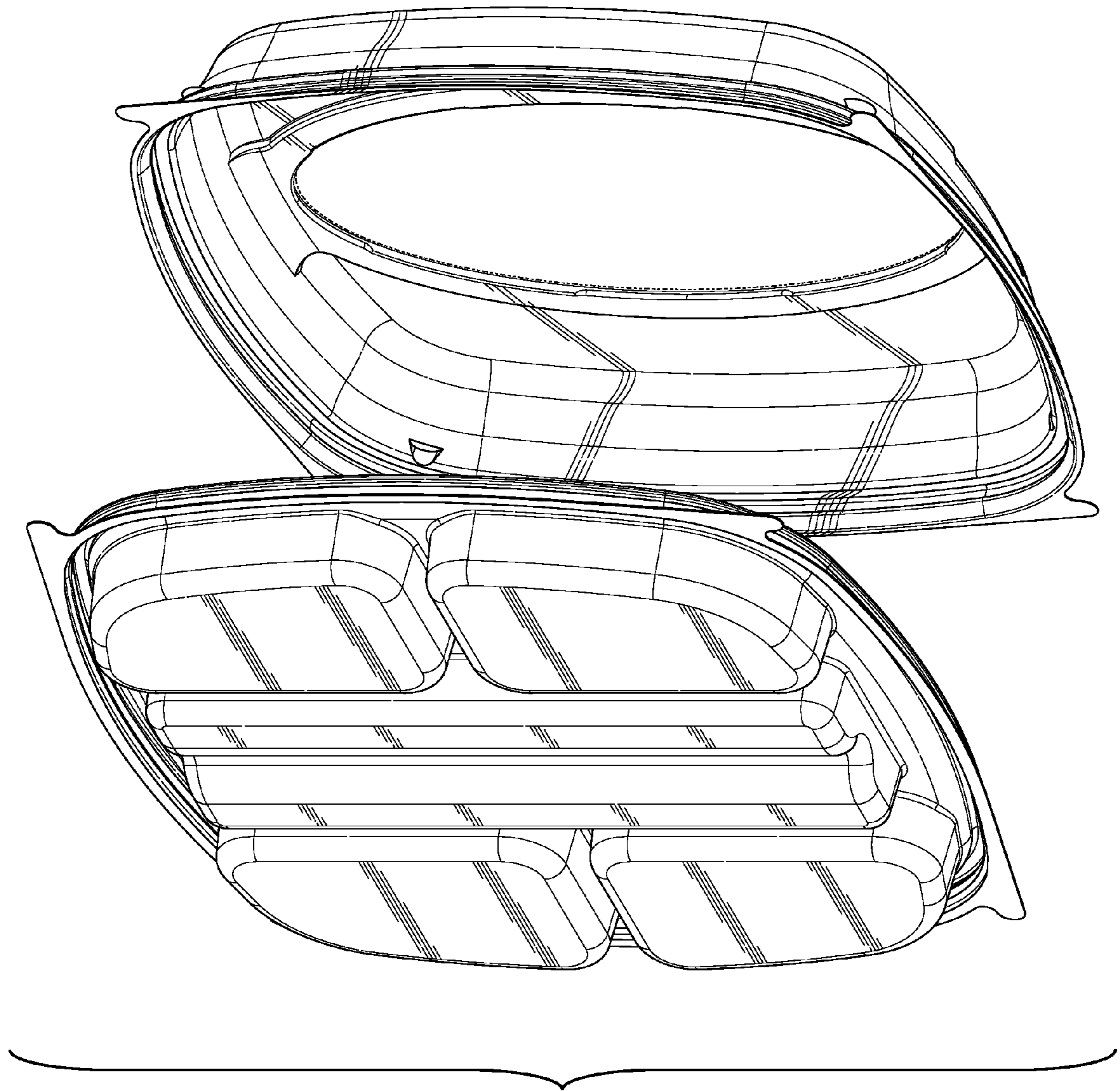


FIG. 2

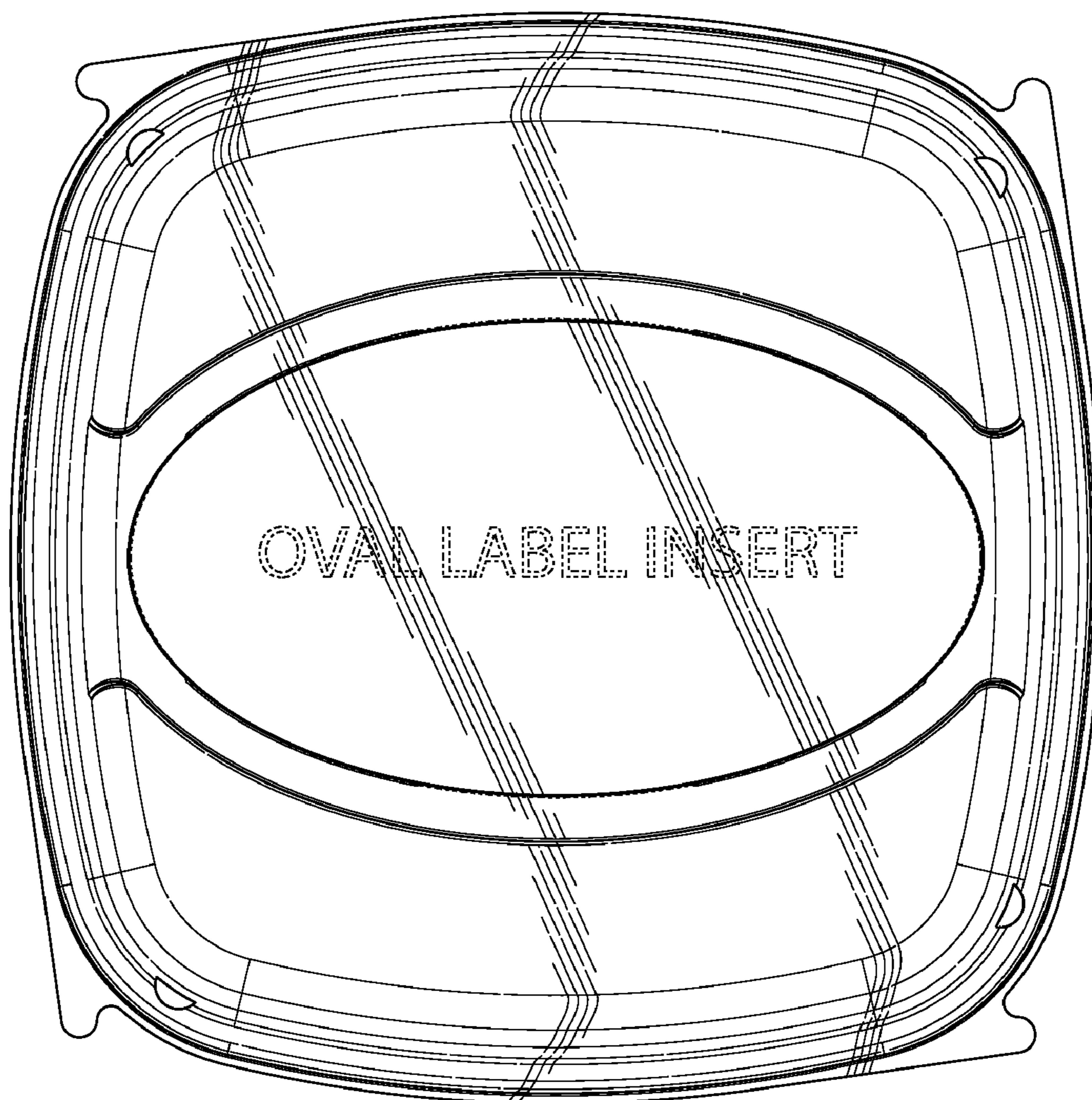


FIG. 3

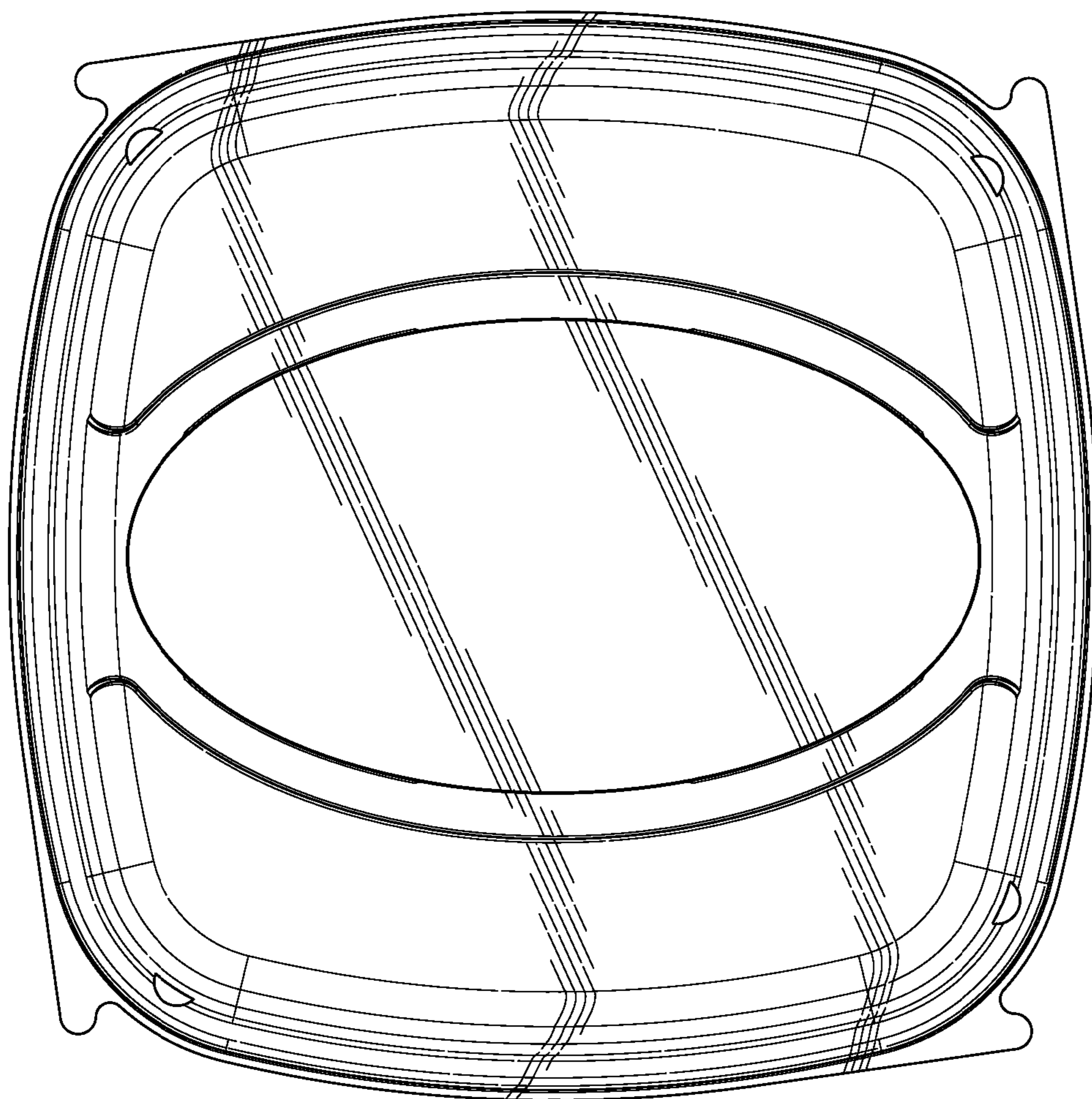


FIG. 4

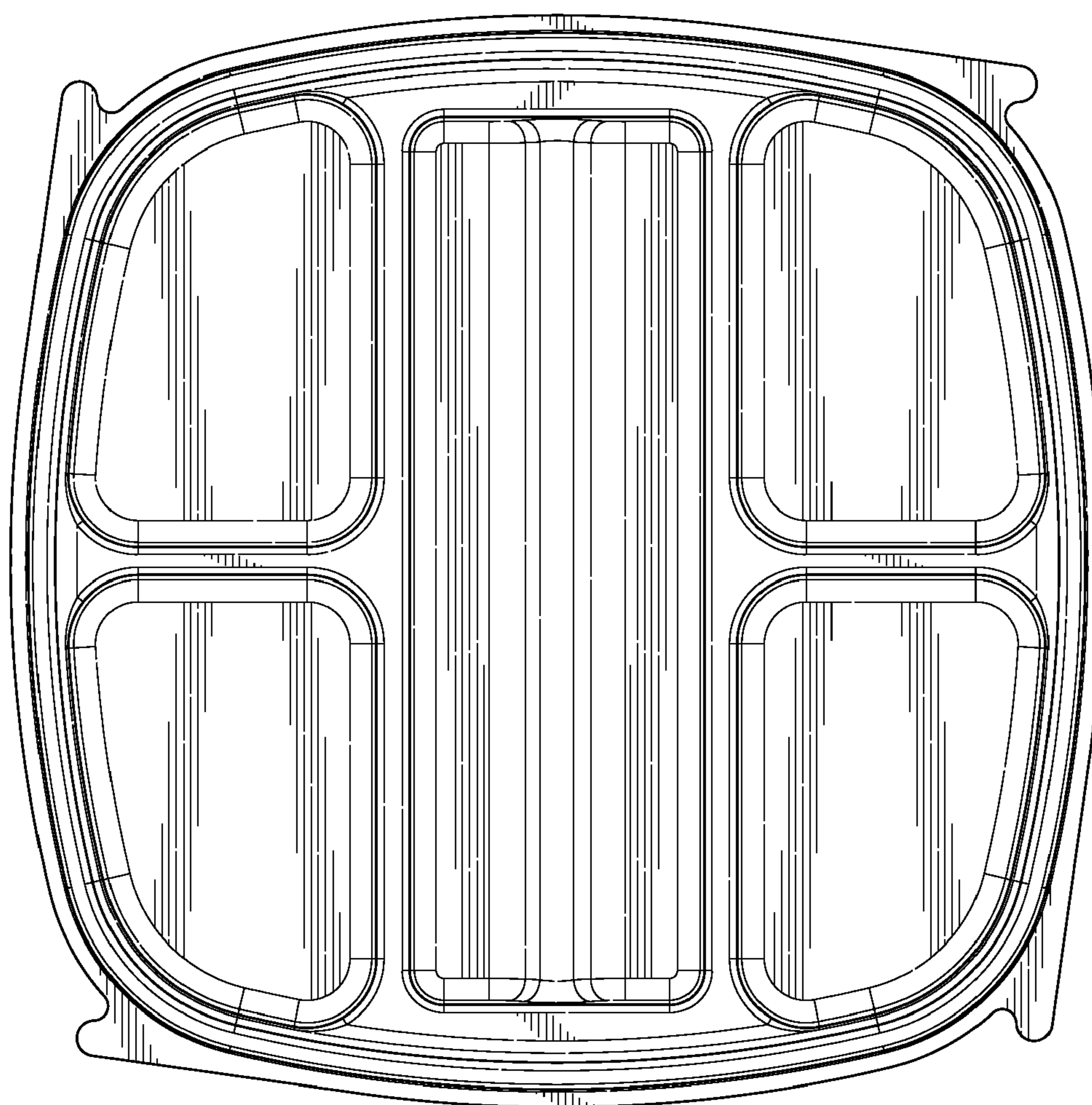


FIG. 5

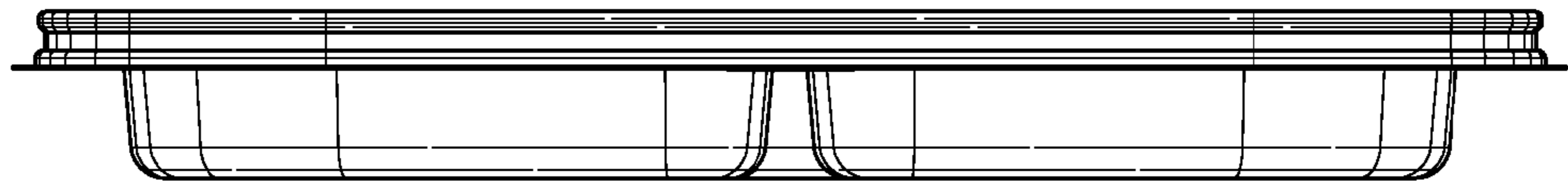
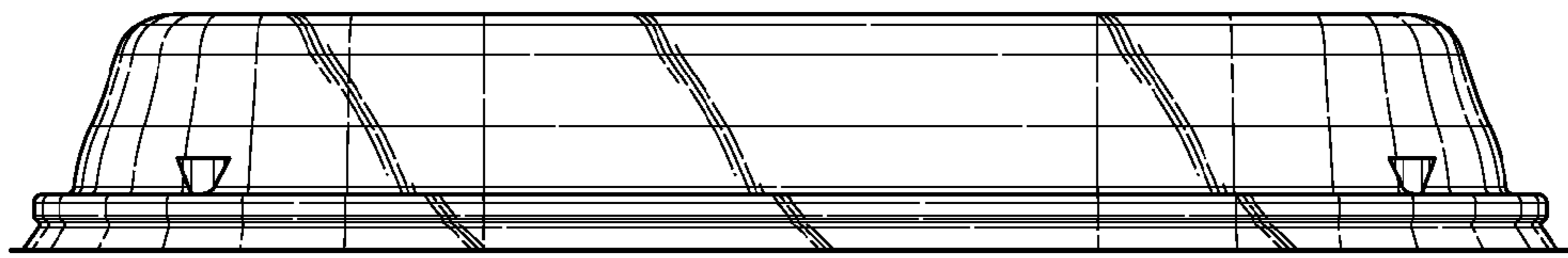


FIG. 6

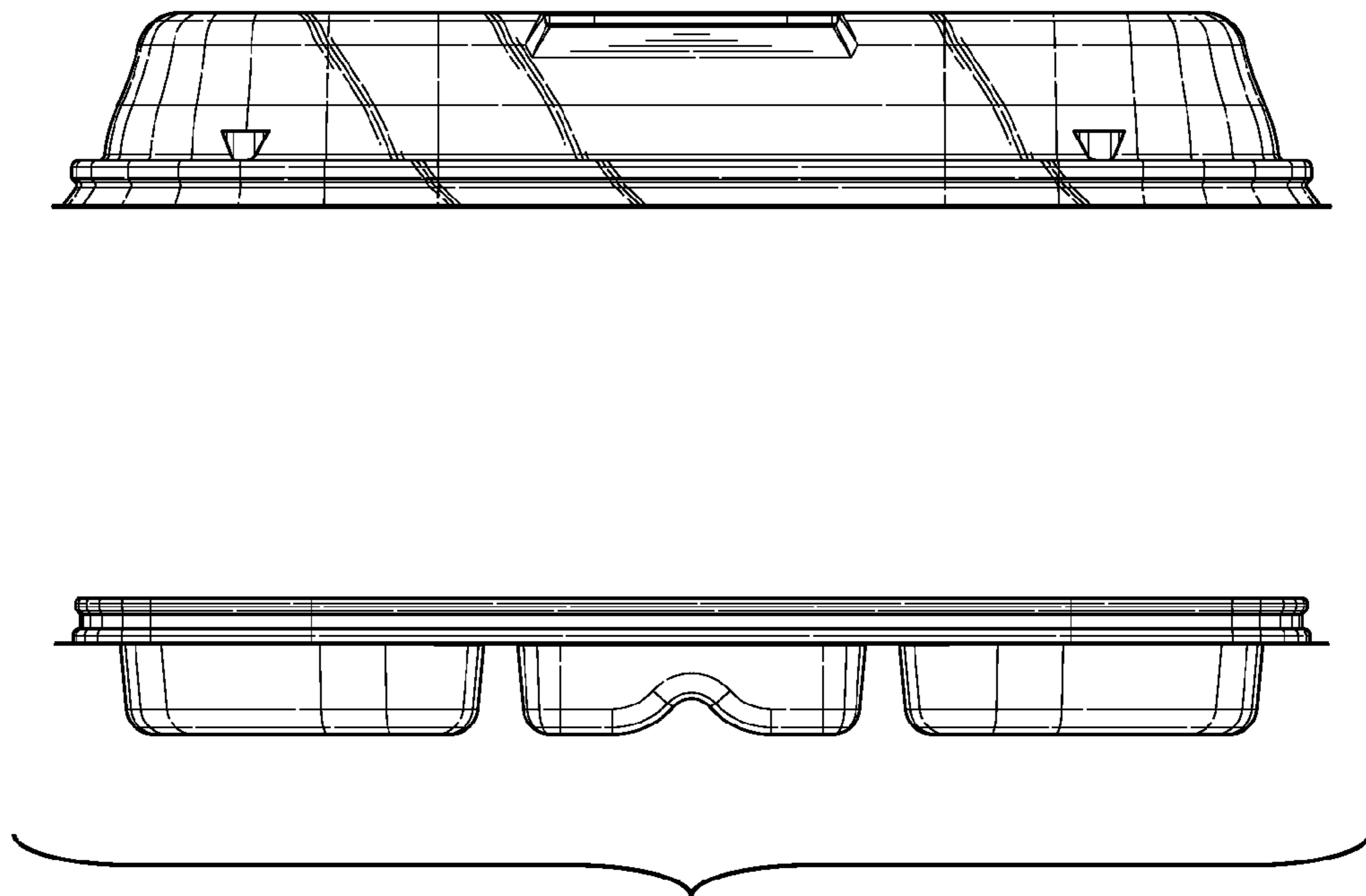


FIG. 7

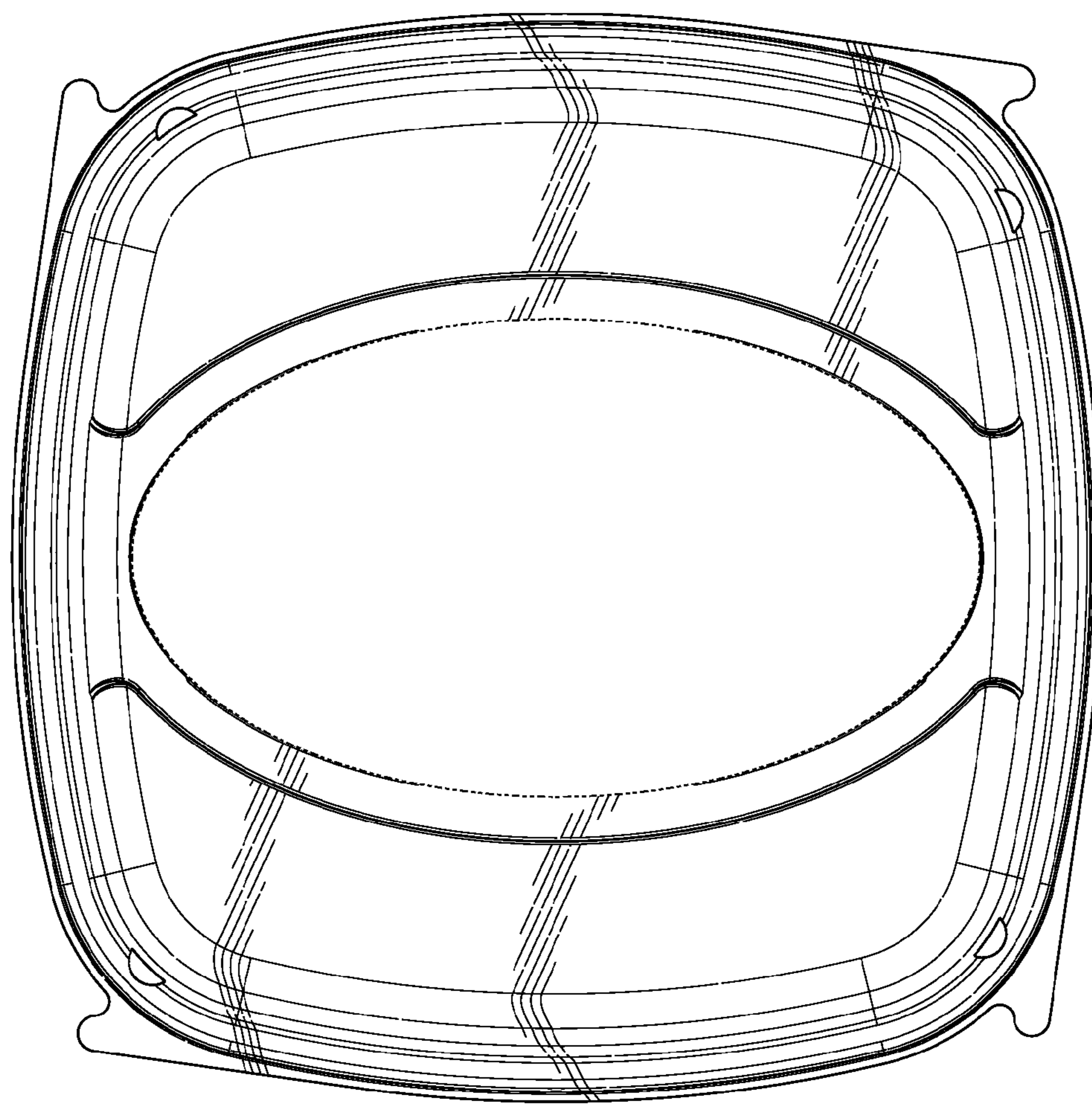


FIG. 8

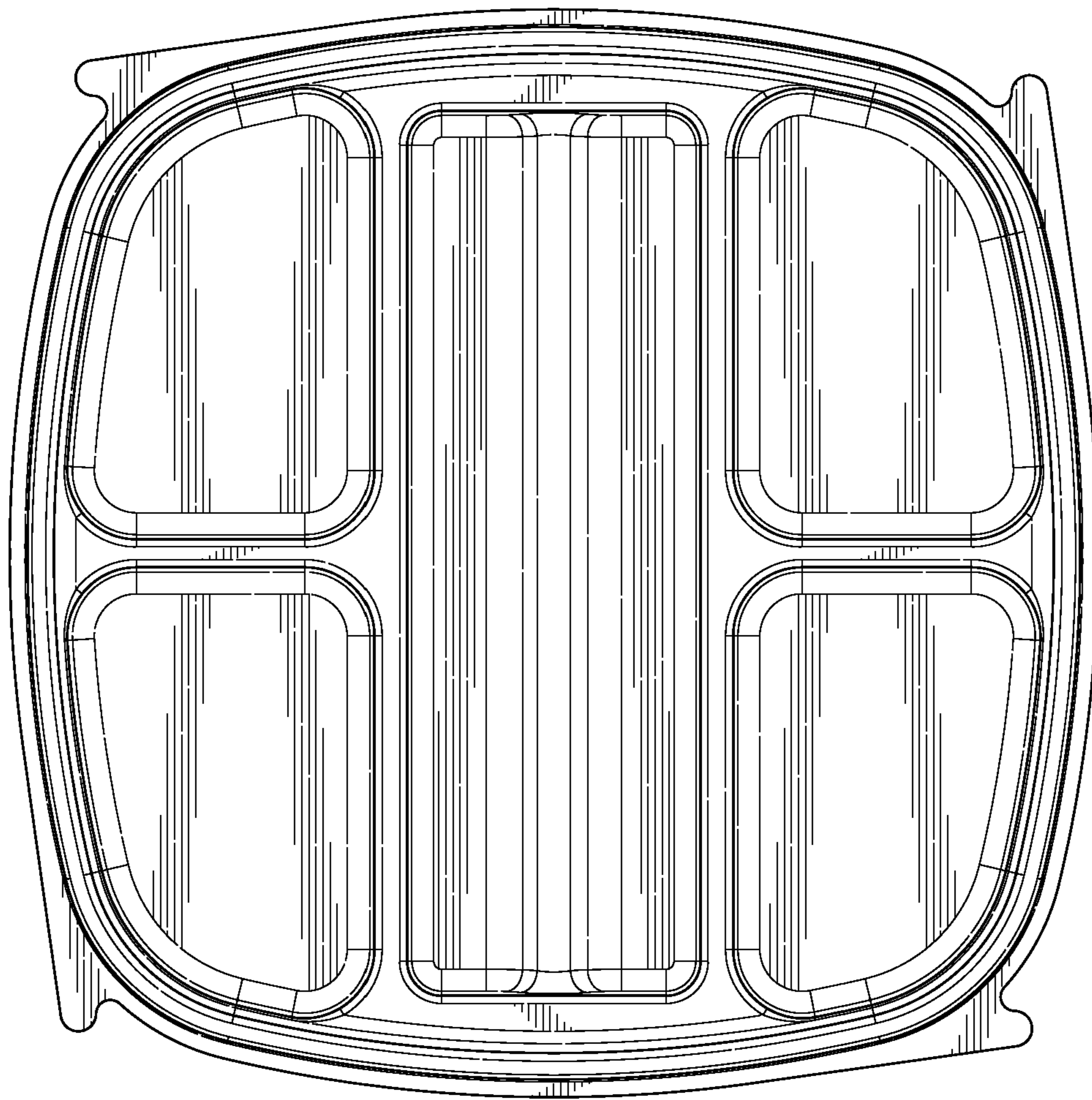


FIG. 9